

United States Patent [19]

Smith, Sr.

[11] Patent Number: Des. 300,602

[45] Date of Patent: ** Apr. 11, 1989

[54] COMBINED HANDLE AND HOLDER FOR CHEMILUMINESCENT SIGNAL

[76] Inventor: Jacob O. Smith, Sr., 601 Armenia Dr., Pensacola, Fla. 32505

[**] Term: 14 Years

[21] Appl. No.: 833,752

[22] Filed: Feb. 18, 1986

[52] U.S. Cl. D8/303; D10/114; D26/37; 6/40

[58] Field of Search D10/109, 111, 114; D26/37, 40, 41, 50; 116/202, 63 P; 362/84, 171, 190, 217, 266, 399; D8/303

[56] References Cited

U.S. PATENT DOCUMENTS

D. 130,814 12/1941 Comiskey et al. D8/303
D. 274,317 6/1984 Nelson D10/114

D. 285,361 8/1986 Marcucci D26/37
3,934,539 1/1976 Little et al. 116/63 P
4,369,487 1/1983 Carlow 362/399
4,379,320 4/1983 Mohan et al. 362/84

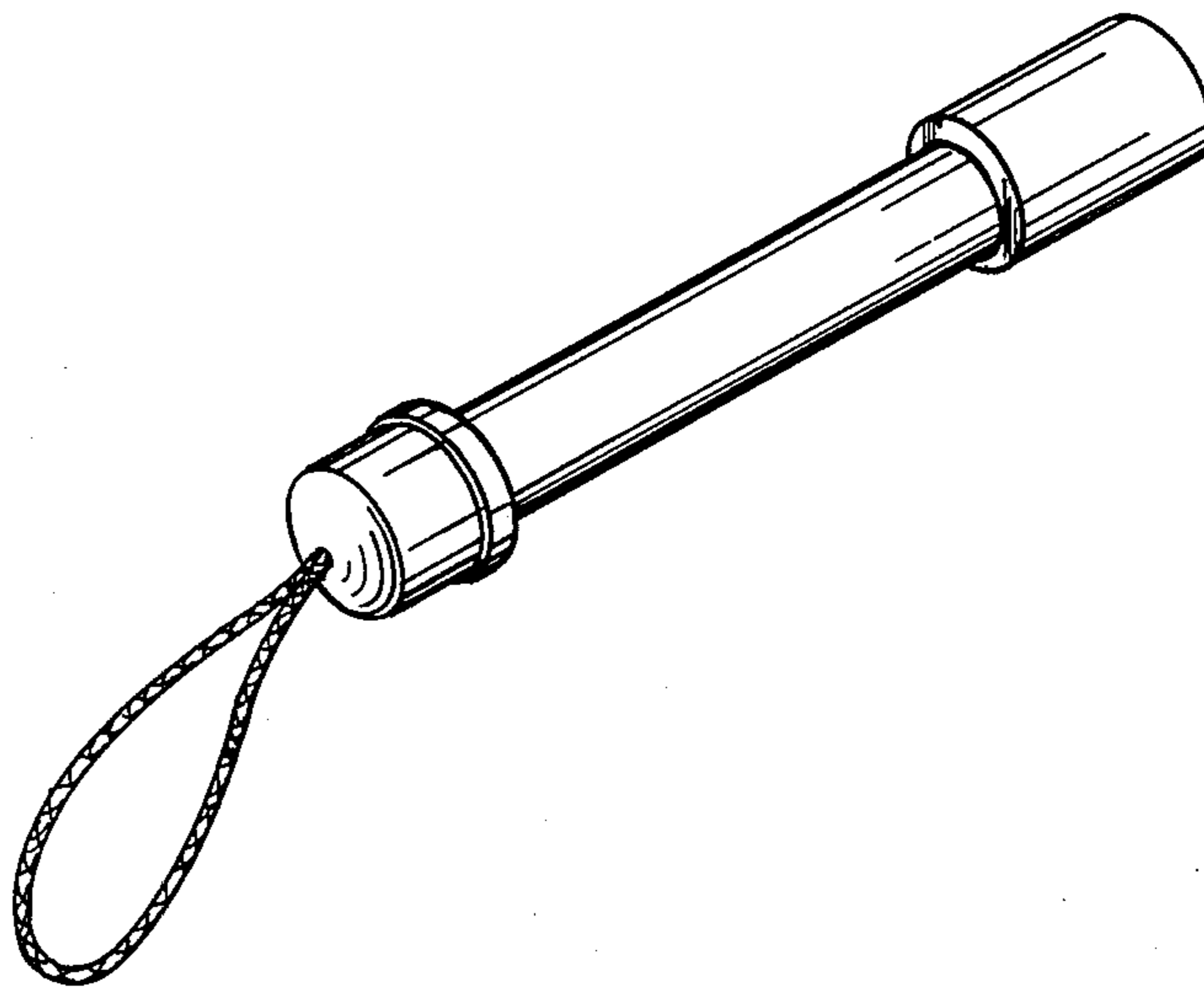
Primary Examiner—B. J. Bullock
Attorney, Agent, or Firm—George A. Bode

[57] CLAIM

The ornamental design for a combined handle and holder for chemiluminescent signal, as shown and described.

DESCRIPTION

FIG. 1 is a perspective view of a combined handle and holder for chemiluminescent signal showing my new design;
FIG. 2 is a side view thereof, the side opposite being a mirror image;
FIG. 3 is a right end view thereof;
FIG. 4 is a left end view thereof.



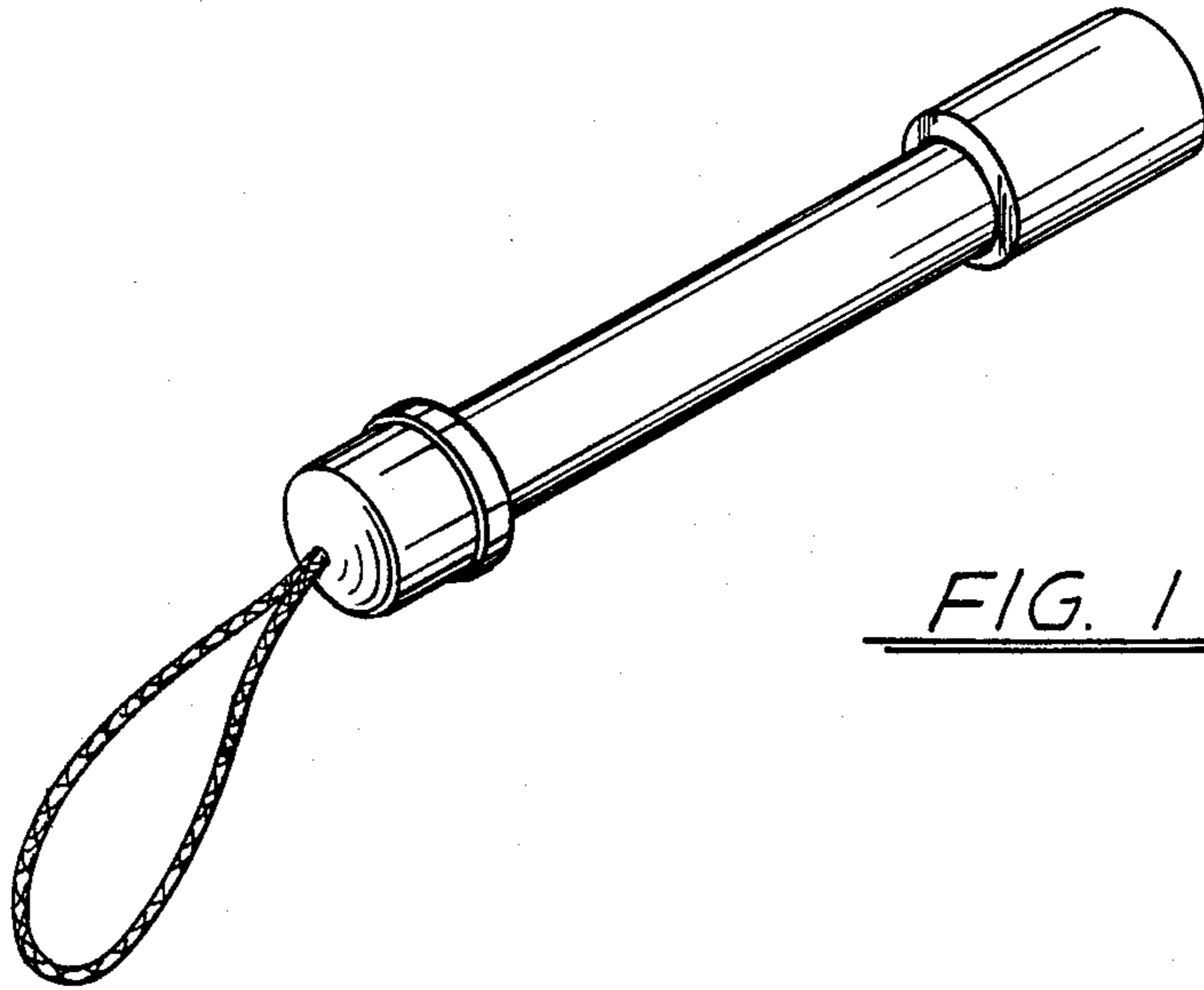


FIG. 1

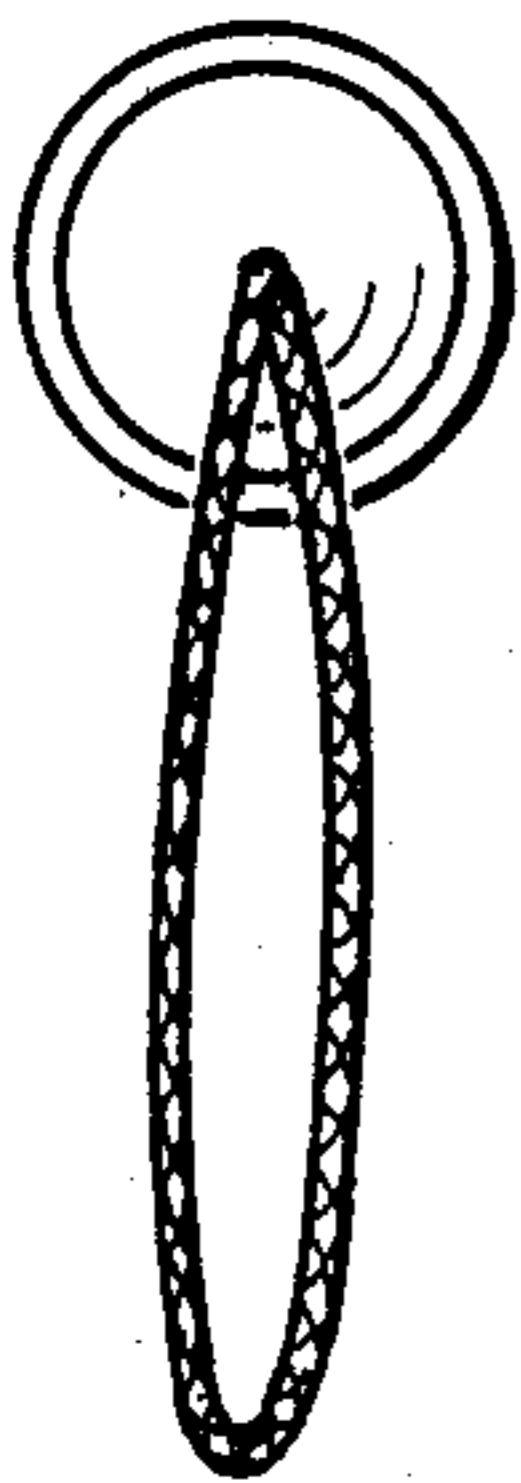


FIG. 4

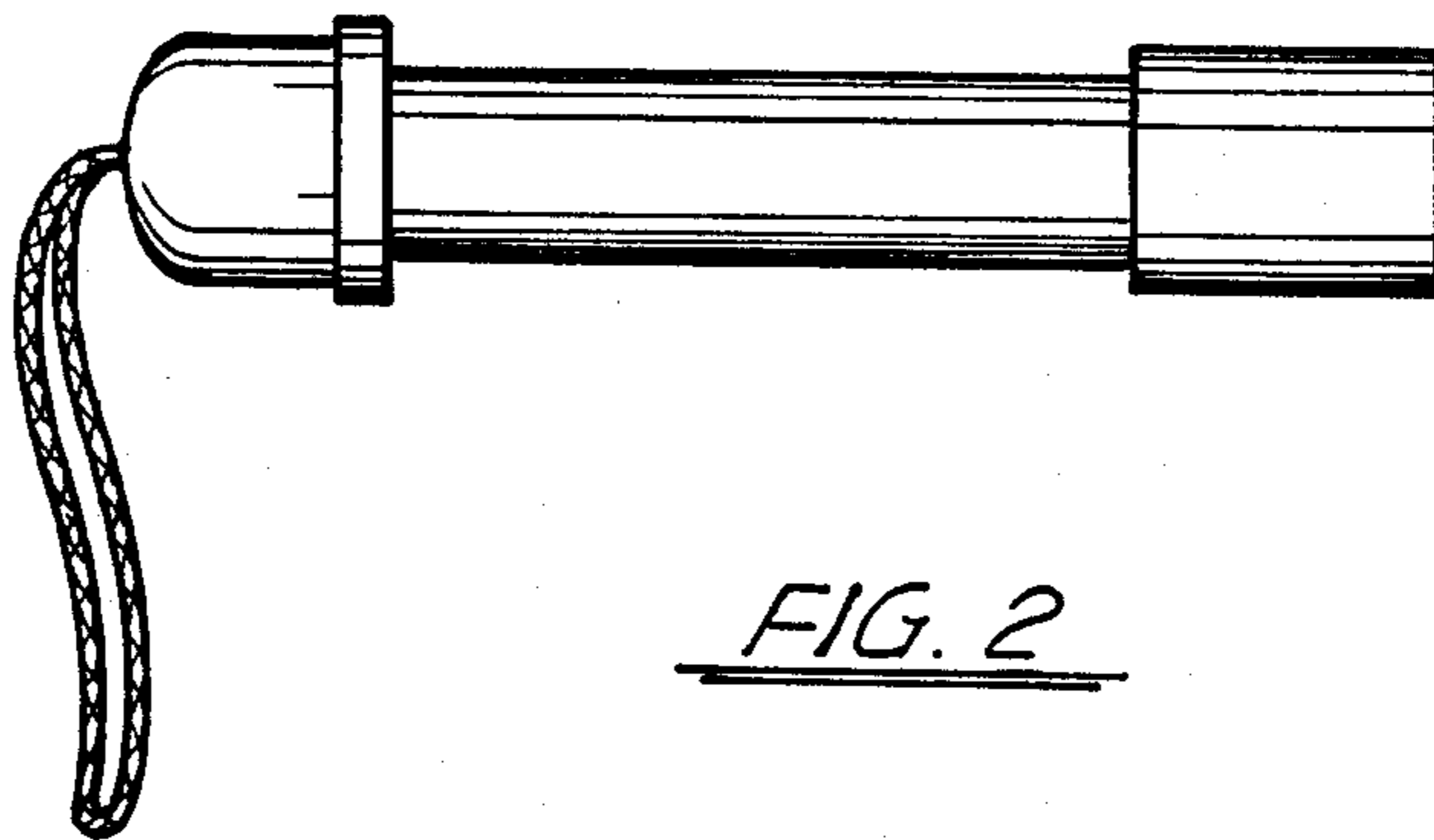


FIG. 2

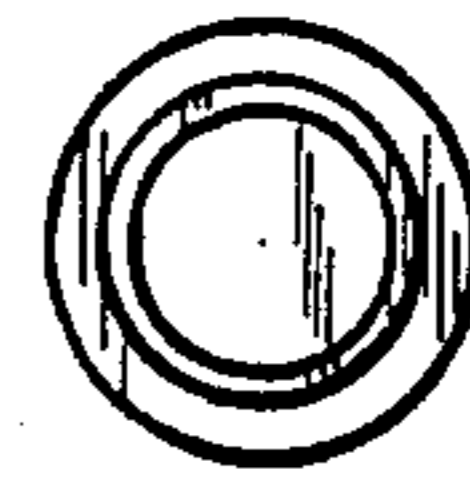


FIG. 3