

[54] ESPRESSO MACHINE

[75] Inventor: Alberto Pandolfi, Milan, Italy

[73] Assignee: Brevetti Gaggia S.p.A., Milan, Italy

[**] Term: 14 Years

[21] Appl. No.: 876,334

[22] Filed: Jun. 19, 1986

[30] Foreign Application Priority Data

Dec. 20, 1985 [IT] Italy 54266/85[U]
[52] U.S. Cl. D7/309; D7/311
[58] Field of Search D7/309, 310, 311, 308,
D7/305, 306, 307, 300, 312, 399

[56] References Cited

U.S. PATENT DOCUMENTS

D. 184,606 3/1959 Cramer D7/309
D. 185,833 8/1959 Bruntjen D7/311
D. 234,901 4/1975 Mantelet D7/309
3,740,231 6/1973 Drwal D7/309 X

OTHER PUBLICATIONS

Domus, Apr. 1977, p. 725, "Mini Gaggia Vapor", Domestic Espresso Coffee and Tea Machine, Prod: Aplimont, Barcelona.

Schoner Wohnen, Oct. 1984, p. 114, Espresso Machine, top left, "Gaggia Max".

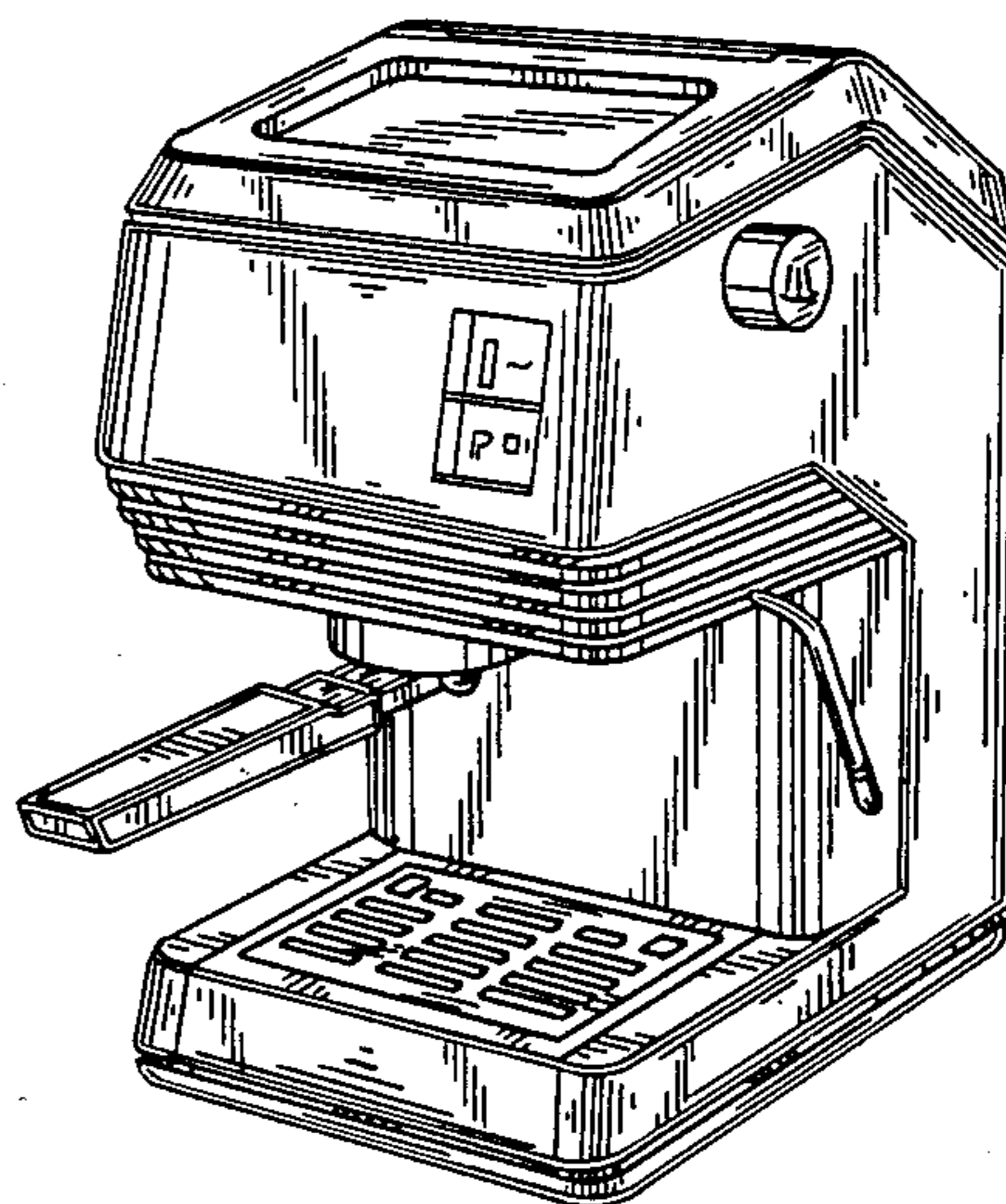
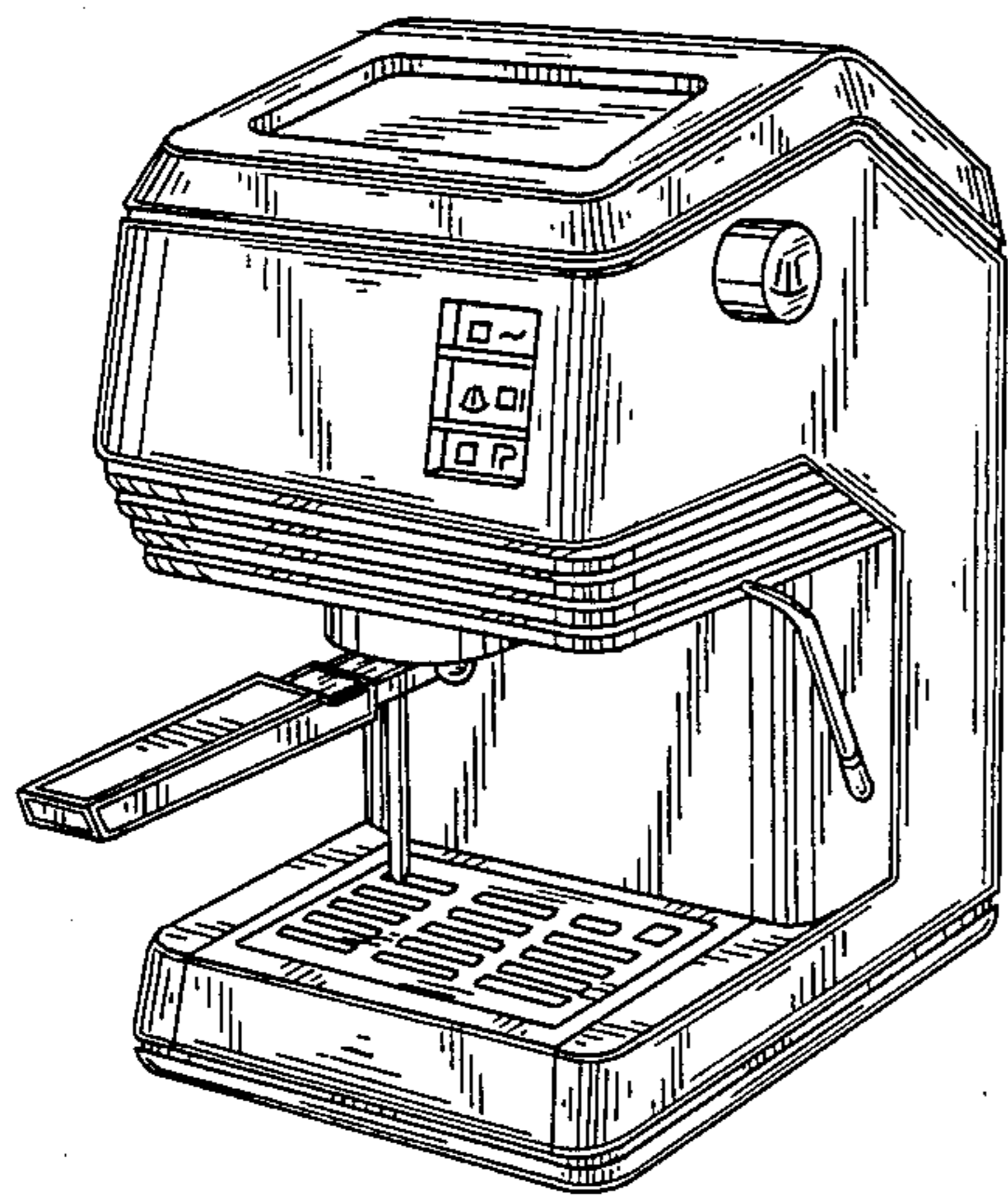
Primary Examiner—Winifred E. Herrmann
Attorney, Agent, or Firm—D. Peter Hochberg; Mark M. Kusner; Louis J. Weisz

[57] CLAIM

The ornamental design for an espresso machine, as shown and described.

DESCRIPTION

FIG. 1 is an elevational view of one side of an espresso machine showing my new design;
FIG. 2 is a front elevational view thereof;
FIG. 3 is a top plan view thereof;
FIG. 4 is an elevational view showing the other side thereof;
FIG. 5 is a rear elevational view thereof;
FIG. 6 is a bottom plan view thereof;
FIG. 7 is a perspective view thereof;
FIG. 8 is an elevational view of one side of an espresso machine showing a modification of my new design;
FIG. 9 is a front elevational view of FIG. 8;
FIG. 10 is a top plan view of FIG. 8;
FIG. 11 is an elevational view showing the other side of FIG. 8;
FIG. 12 is a rear elevational view of FIG. 8;
FIG. 13 is a bottom plan view of FIG. 8; and
FIG. 14 is a perspective view of FIG. 8.



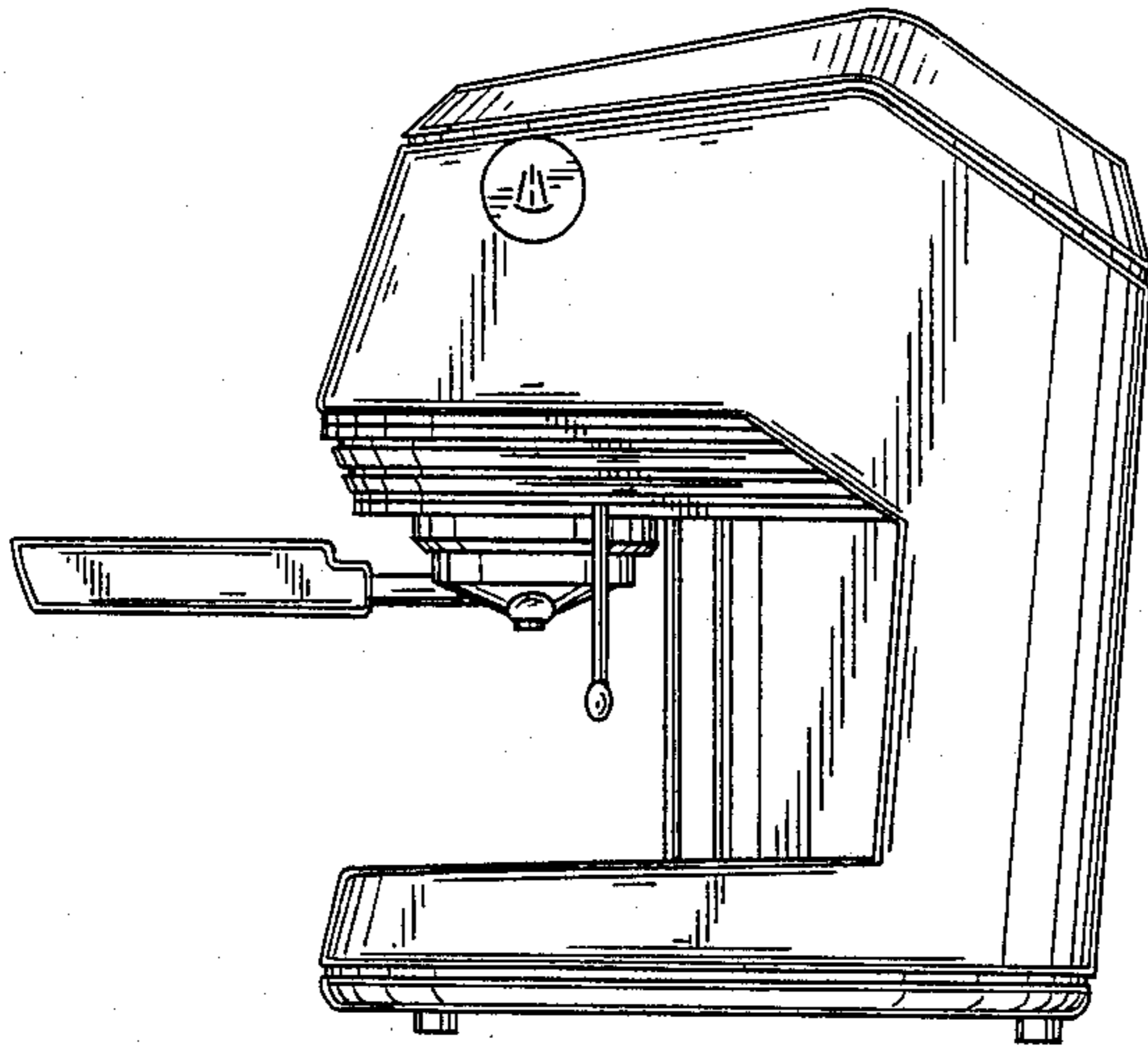


FIG. 1

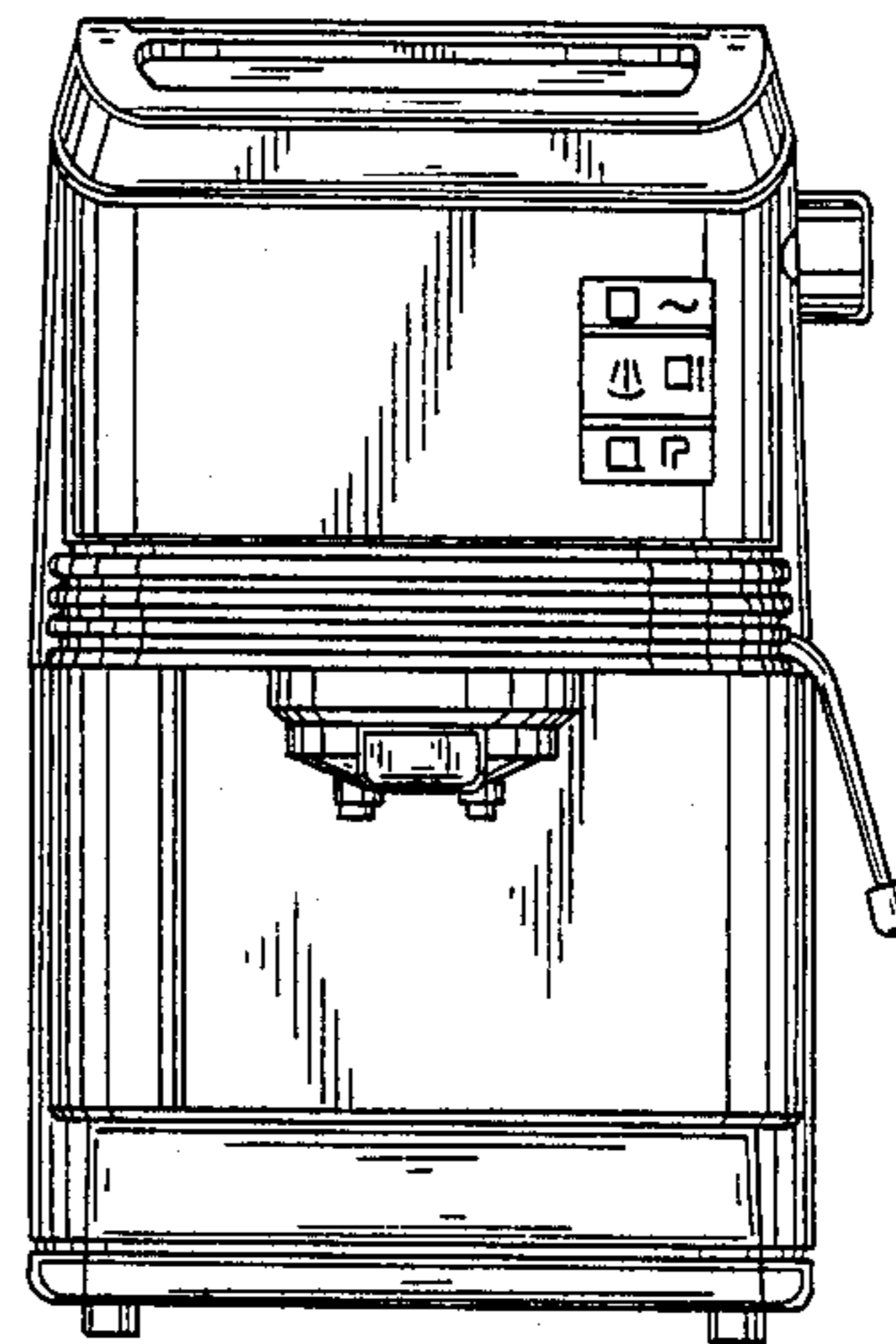


FIG. 2

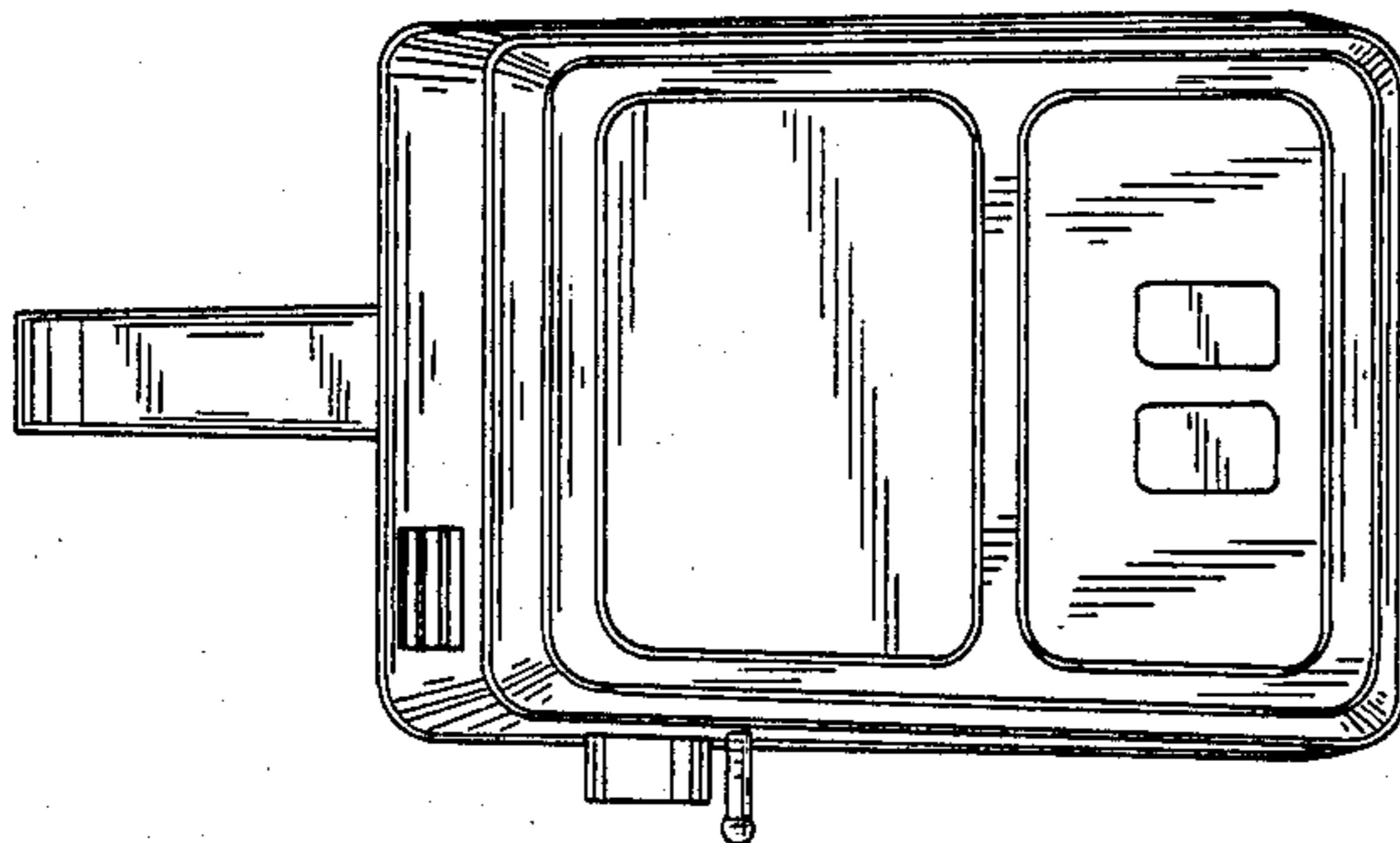


FIG. 3

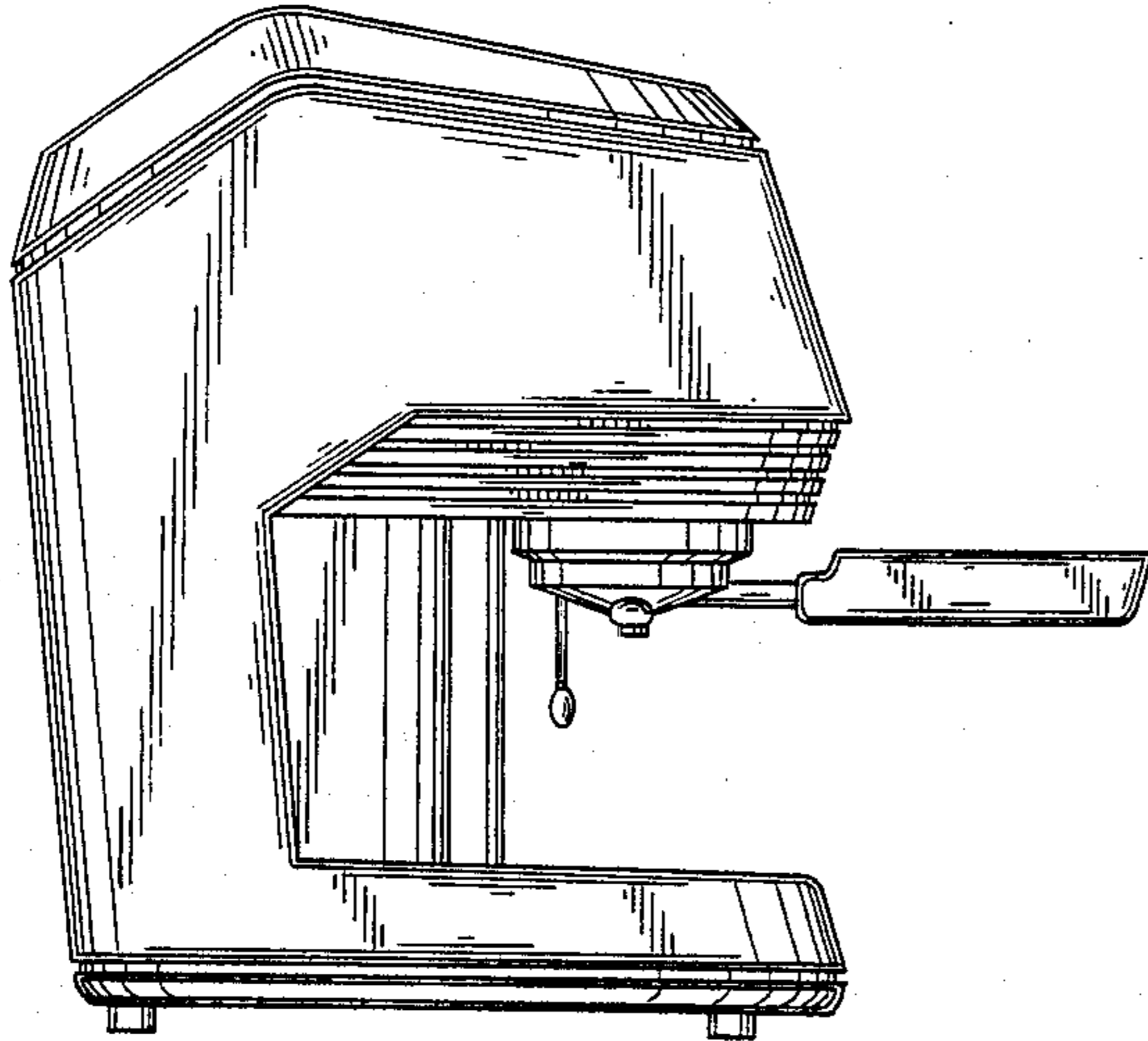


FIG. 4

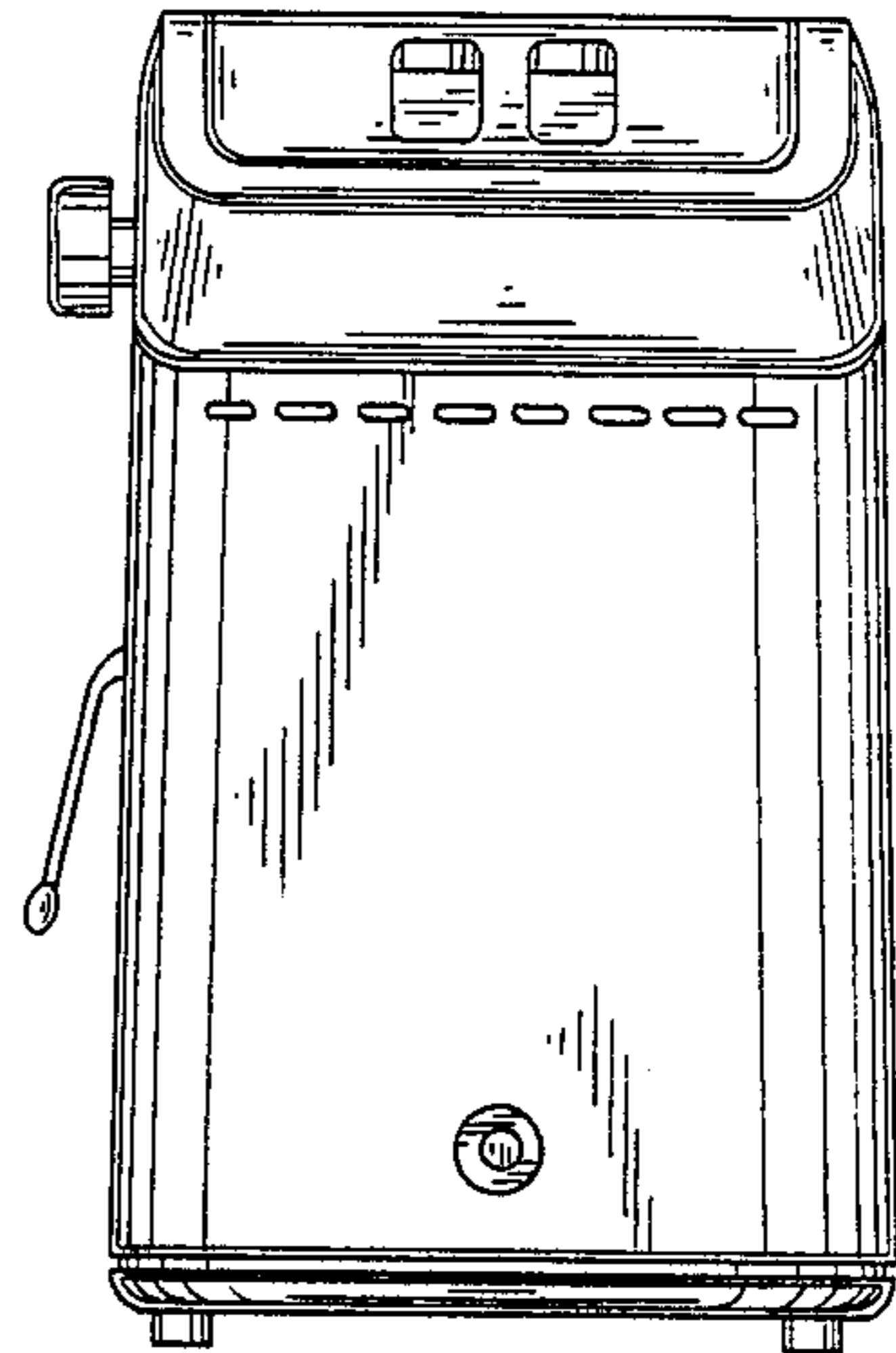


FIG. 5

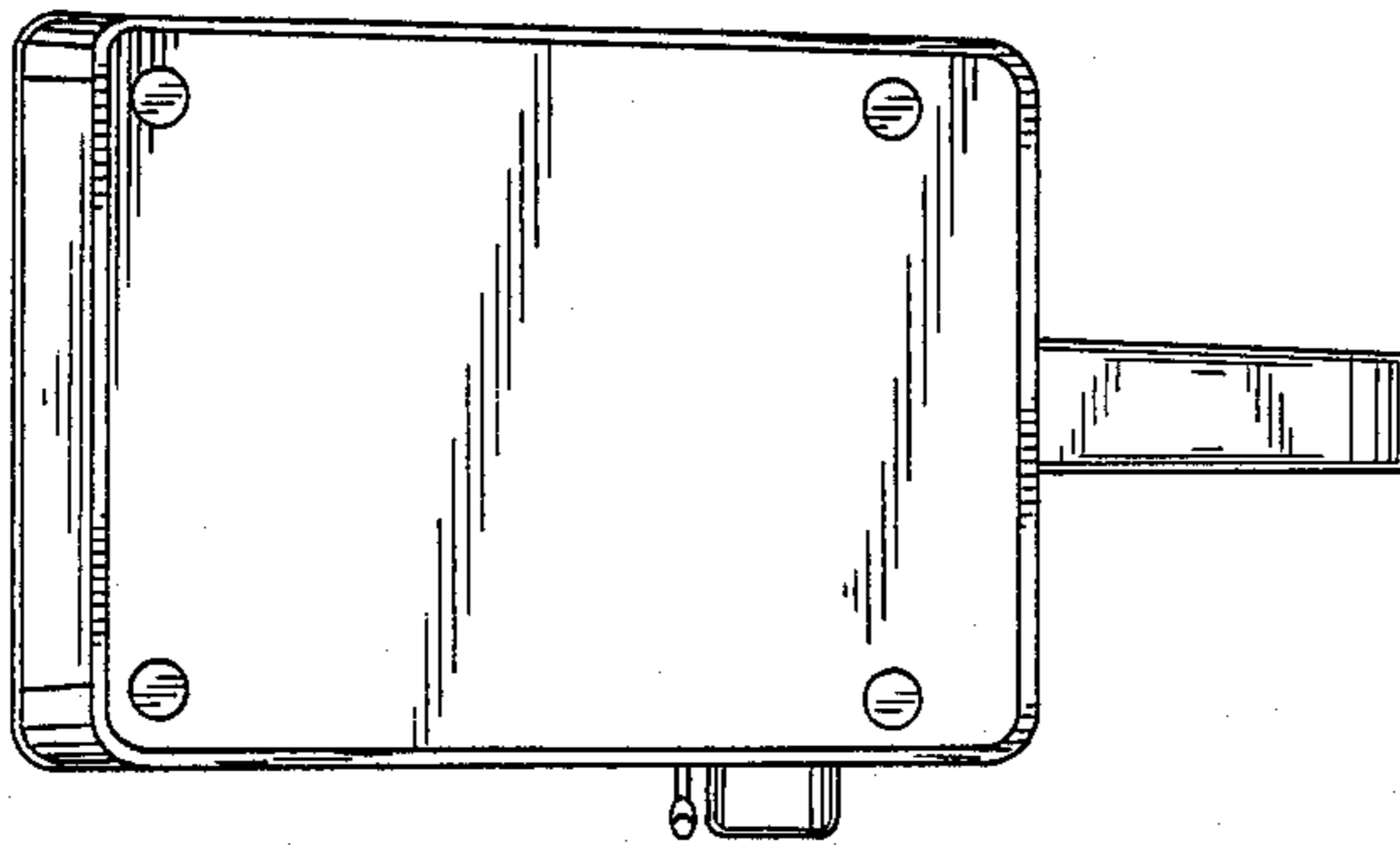


FIG. 6

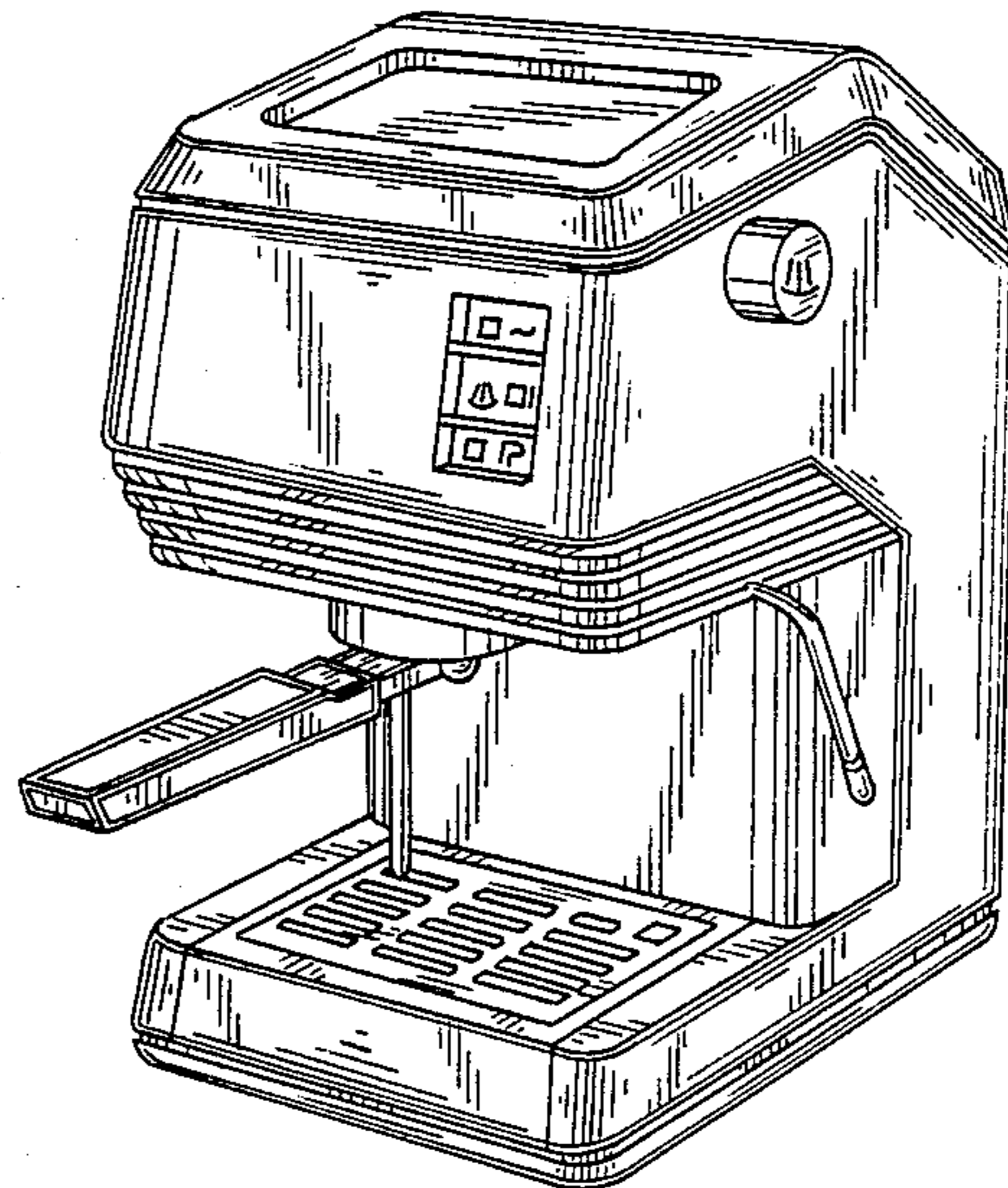


FIG. 7

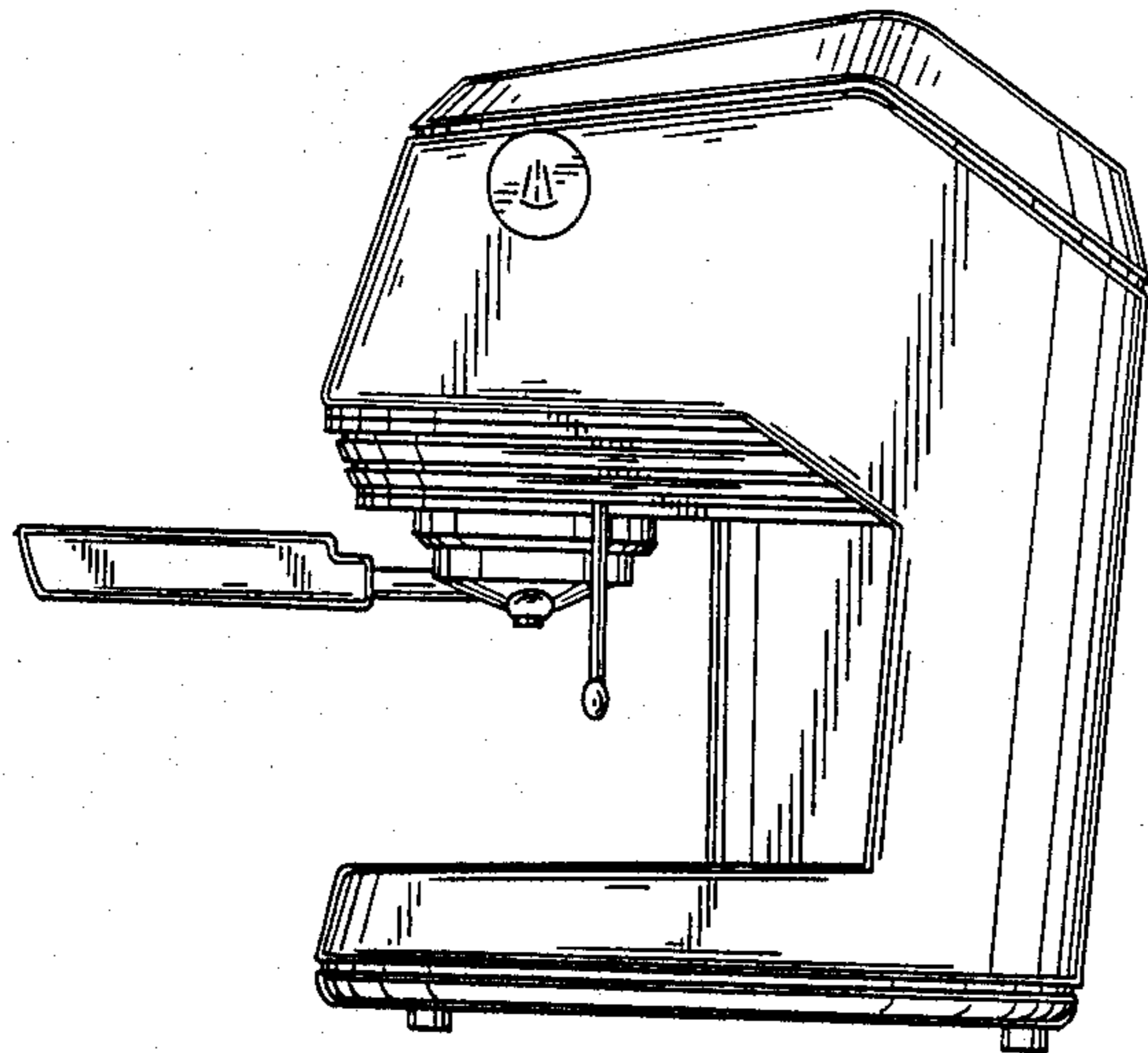


FIG. 8

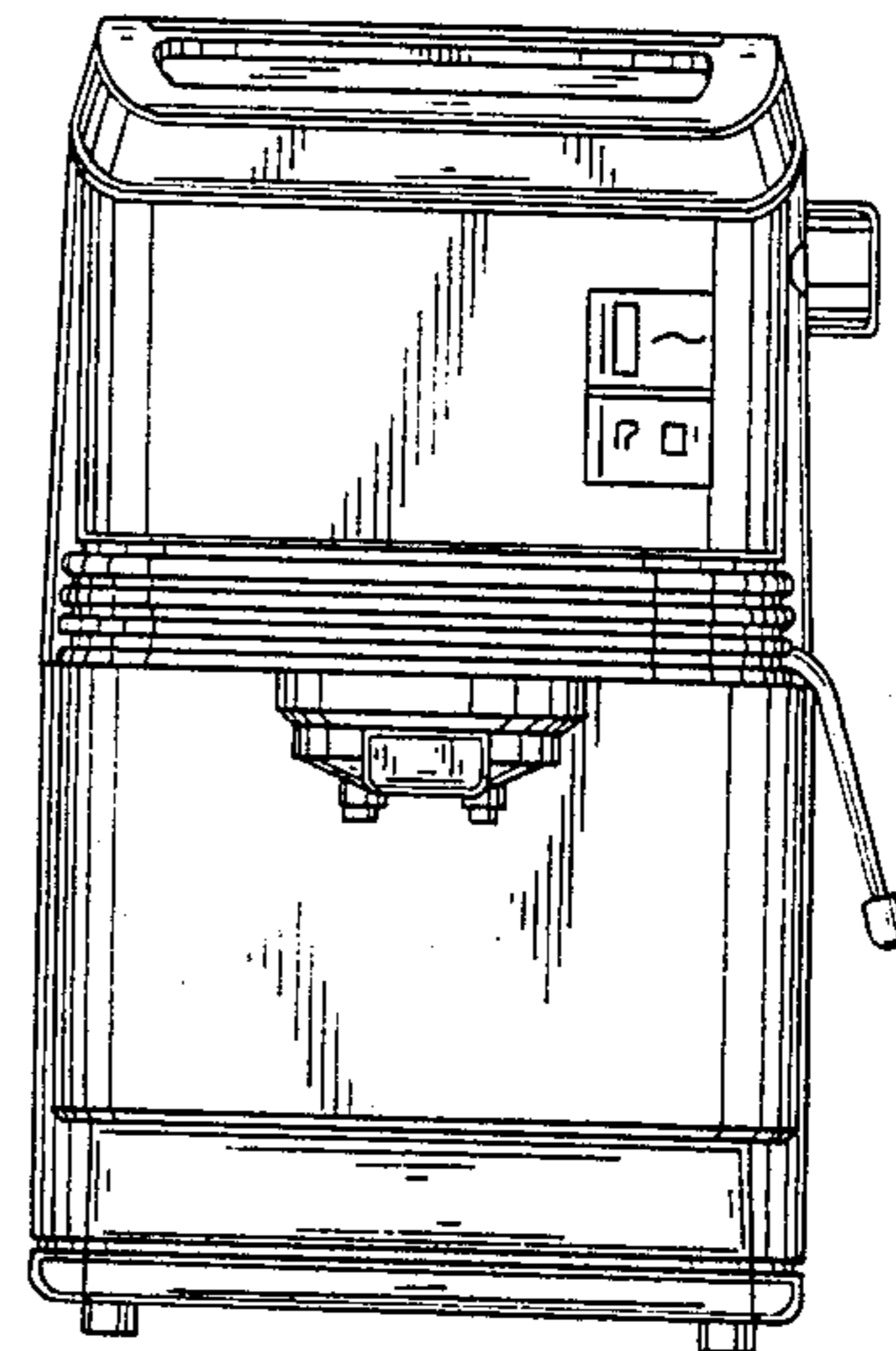


FIG. 9

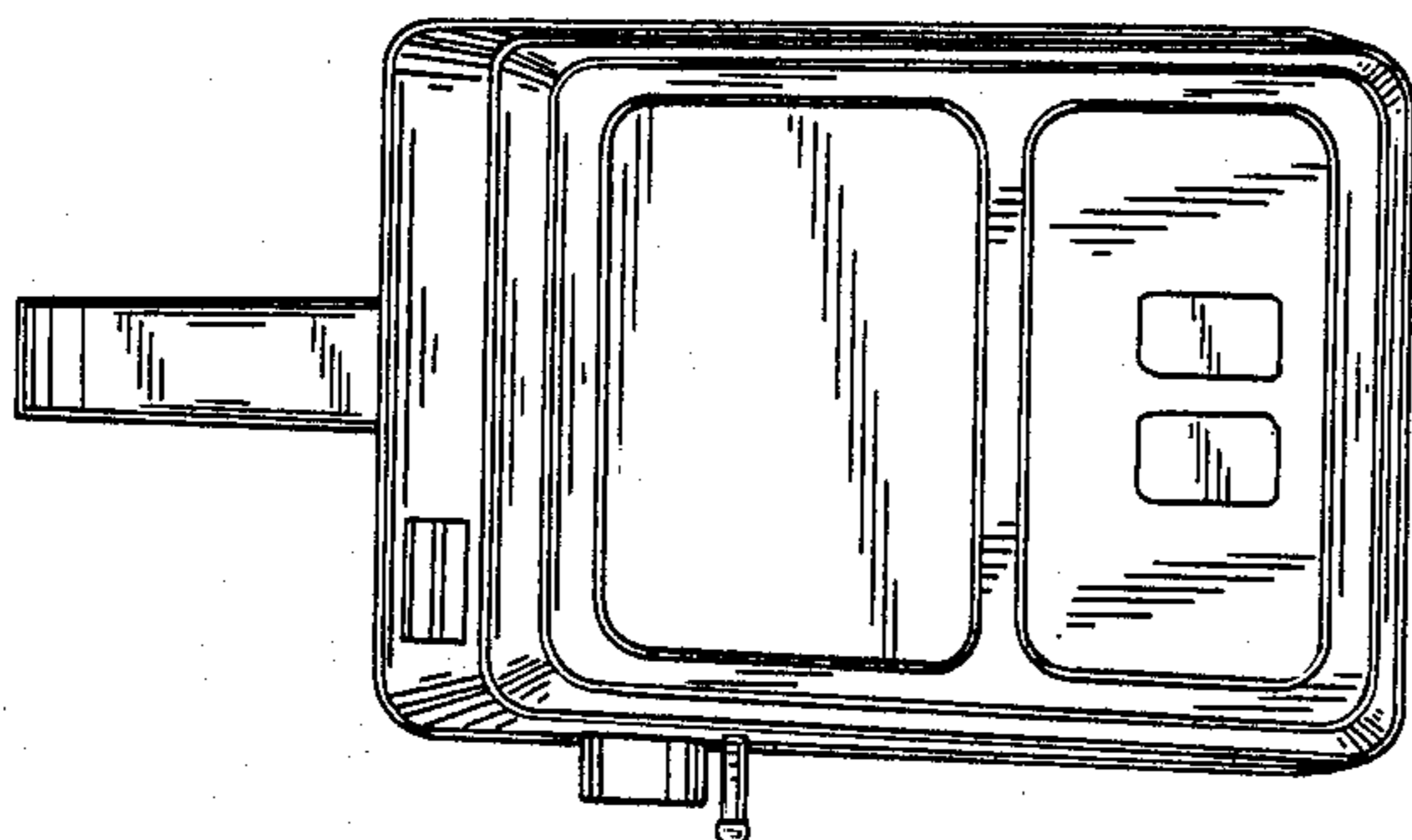


FIG. 10

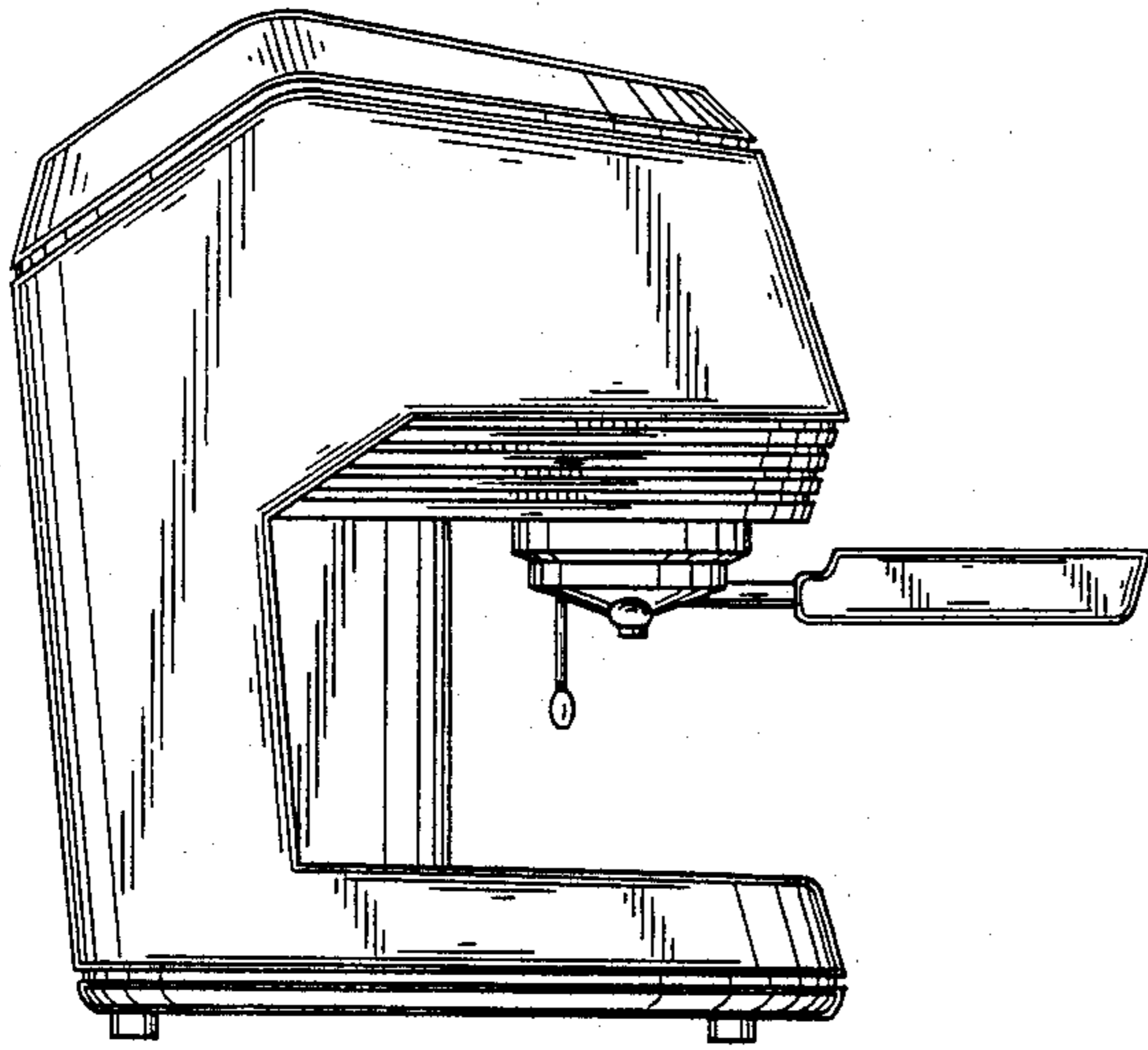


FIG. 11

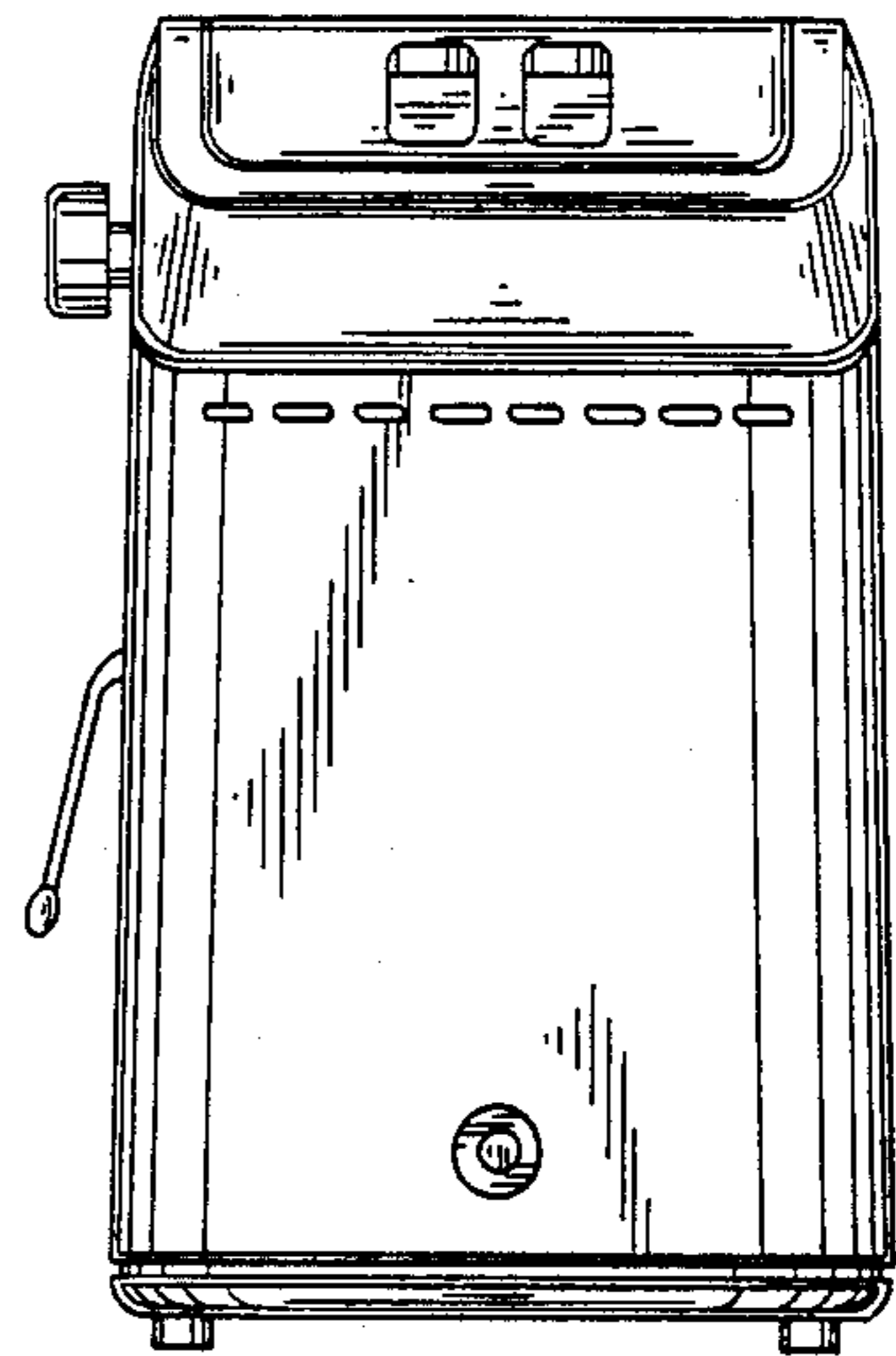


FIG. 12

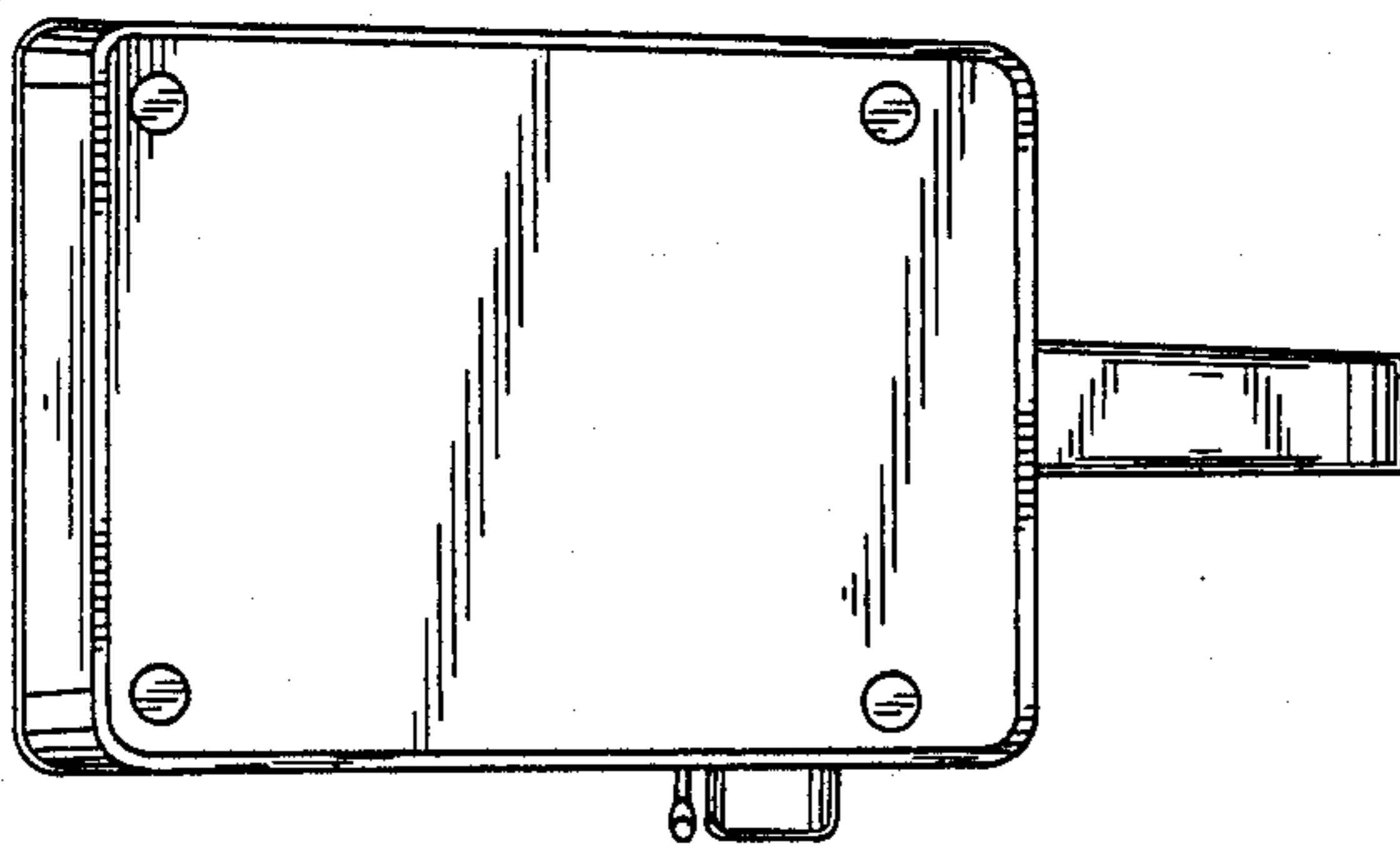


FIG. 13

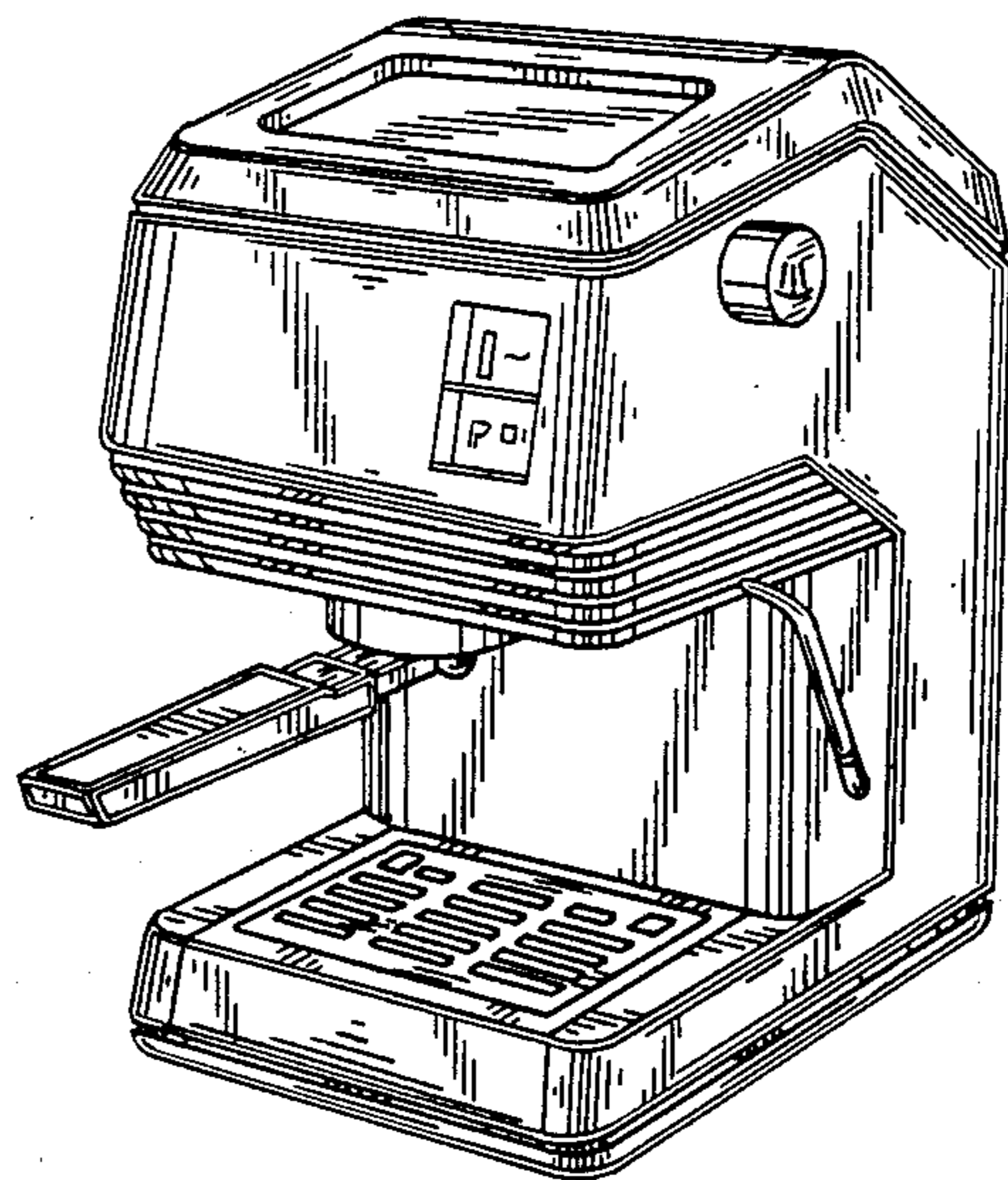


FIG. 14