

[54] **SHELVING UNIT**

[76] **Inventor: Charles R. Eldridge, 1102 Tarragon Ct., Virginia Beach, Va. 23462**

[**] **Term: 14 Years**

[21] **Appl. No.: 32,393**

[22] **Filed: Jul. 15, 1987**

[52] **U.S. Cl. D6/569**

[58] **Field of Search D6/512, 553, 563, 567-569, D6/570, 574; D21/87, 90; 108/59-60, 91**

[56] **References Cited**

U.S. PATENT DOCUMENTS

- D. 161,786 1/1951 Phelps D6/563
- D. 251,865 5/1979 Butler D21/90 X
- D. 259,478 6/1981 Schoch D21/90 X

Primary Examiner—Wallace R. Burke

Assistant Examiner—Brian N. Vinson

[57] **CLAIM**

The ornamental design for a shelving unit, as shown and described.

DESCRIPTION

FIG. 1 is a left side elevational view of a shelving unit showing my new design, the right side being a mirror image of that shown;

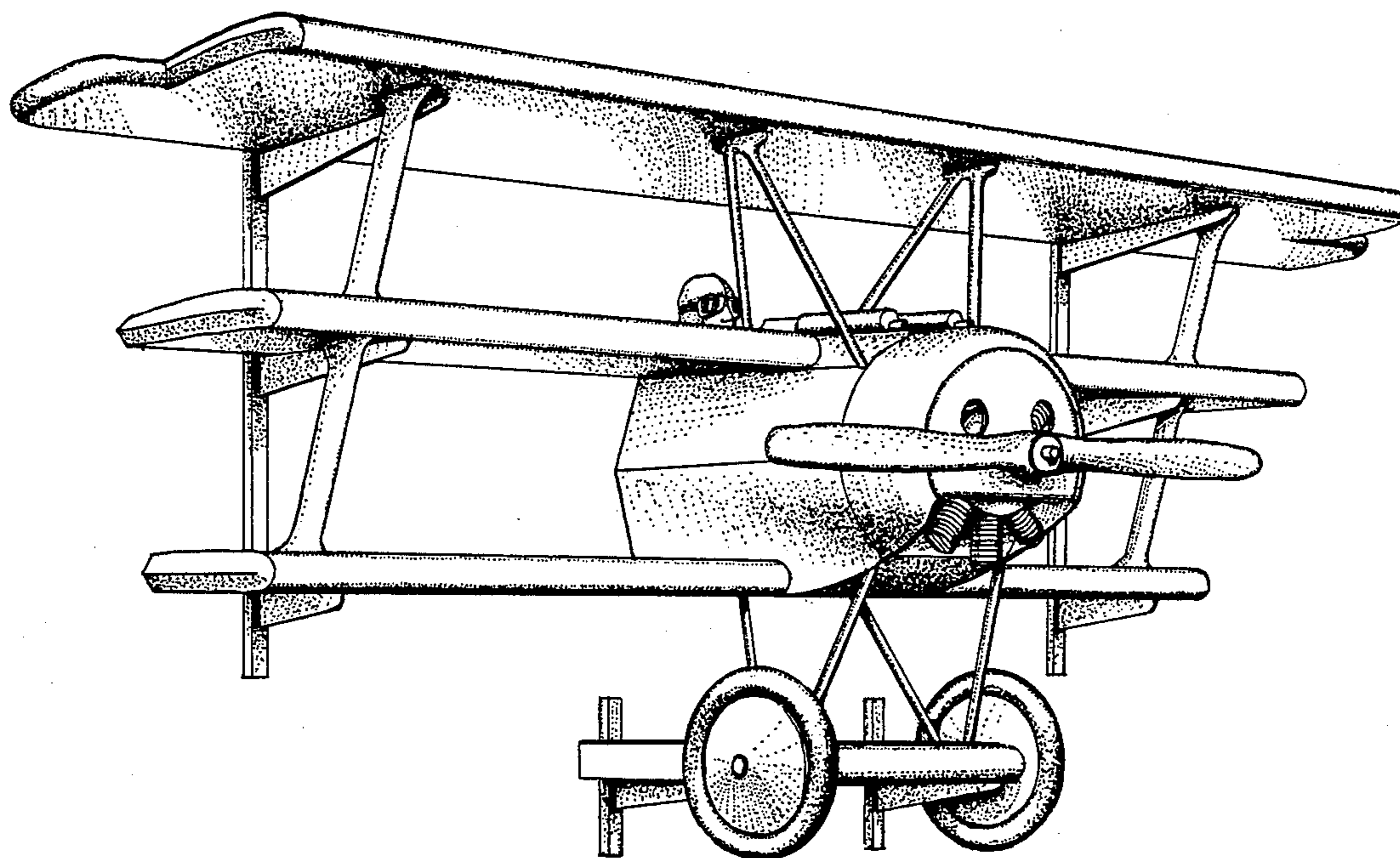
FIG. 2 is a vertical cross-sectional view thereof, taken through the center of FIG. 4;

FIG. 3 is a perspective view thereof;

FIG. 4 is a front elevational view thereof;

FIG. 5 is a top plan view thereof; and,

FIG. 6 is a bottom plan view thereof.



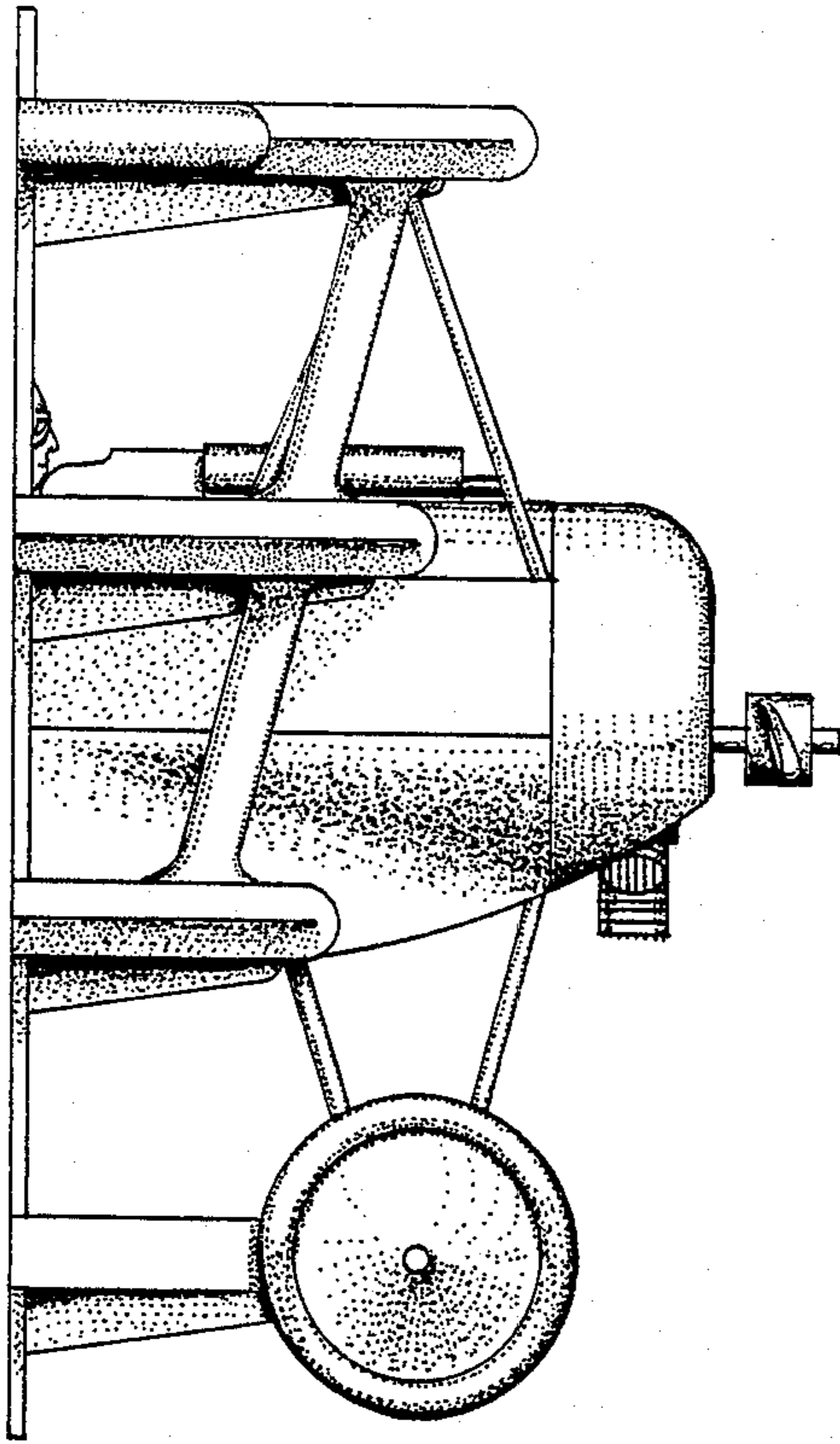


fig. 1

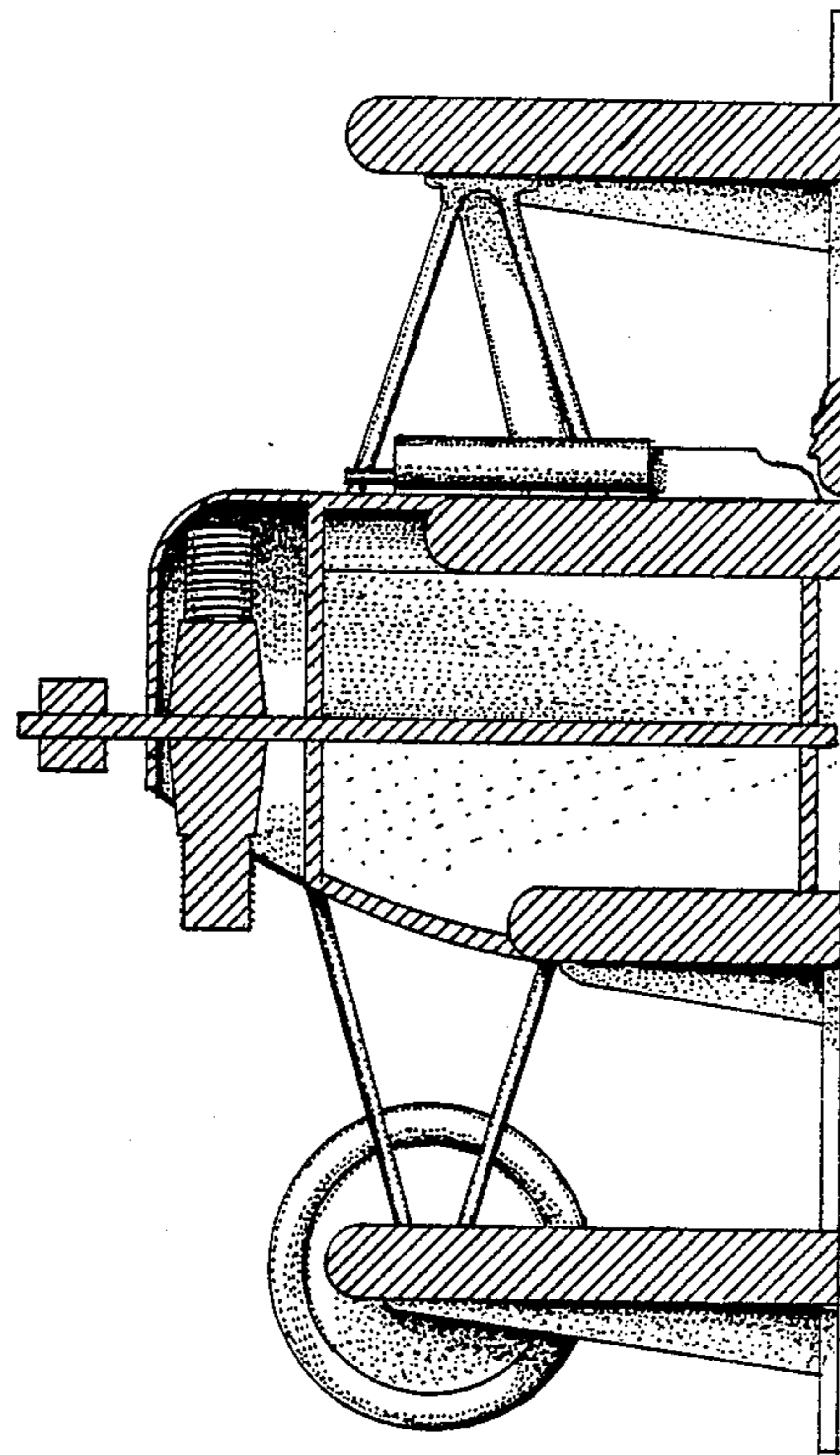


fig. 2

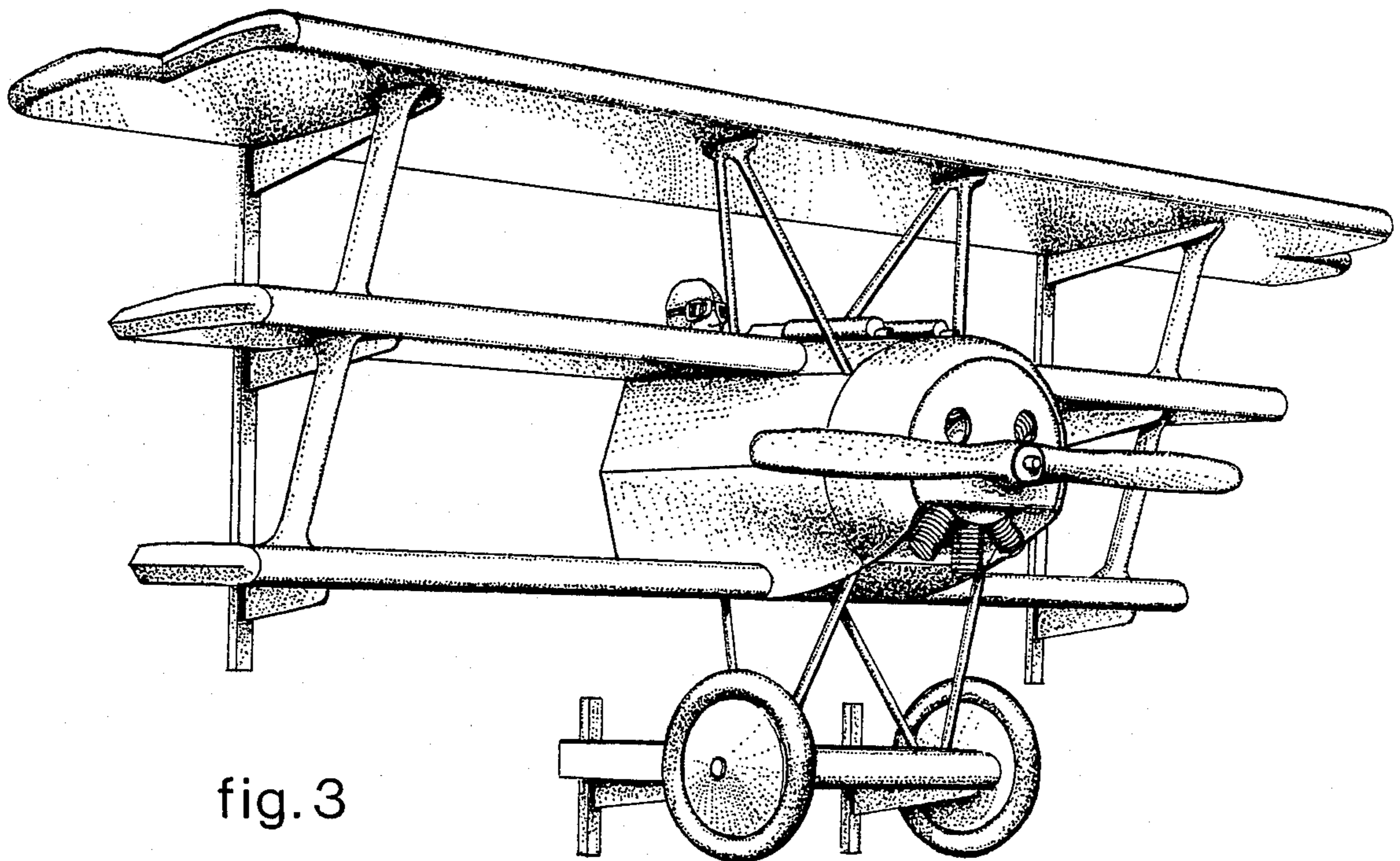


fig. 3

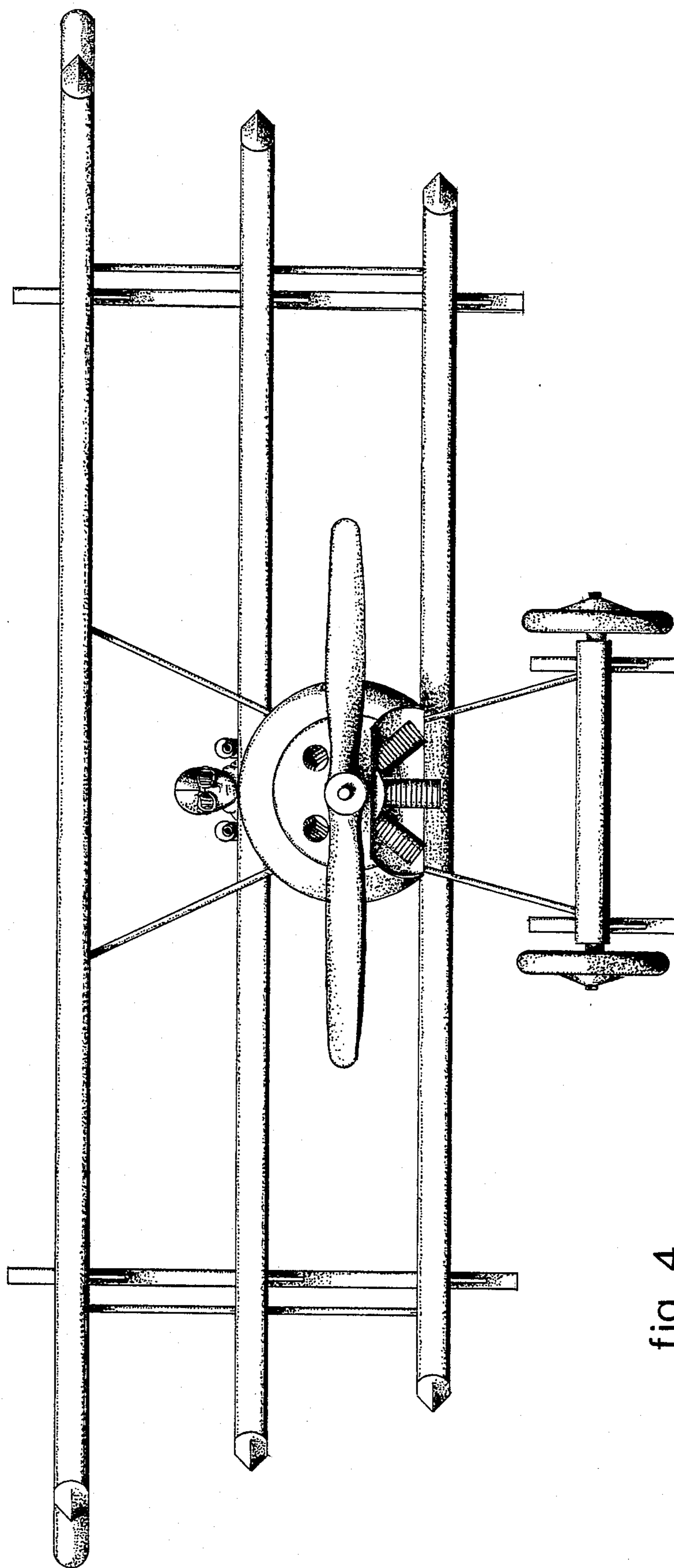


fig. 4

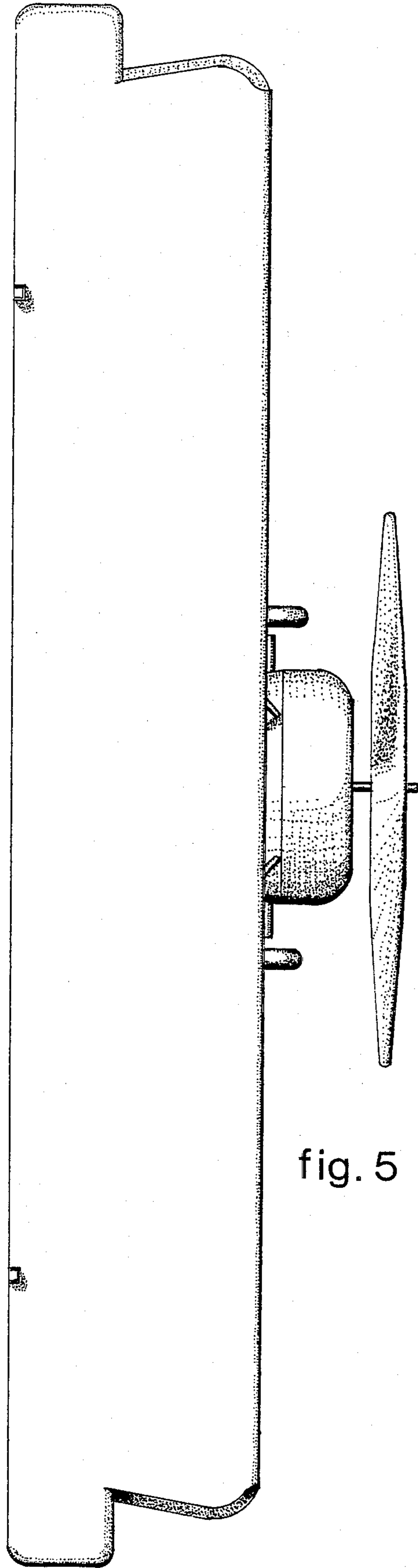


fig. 5

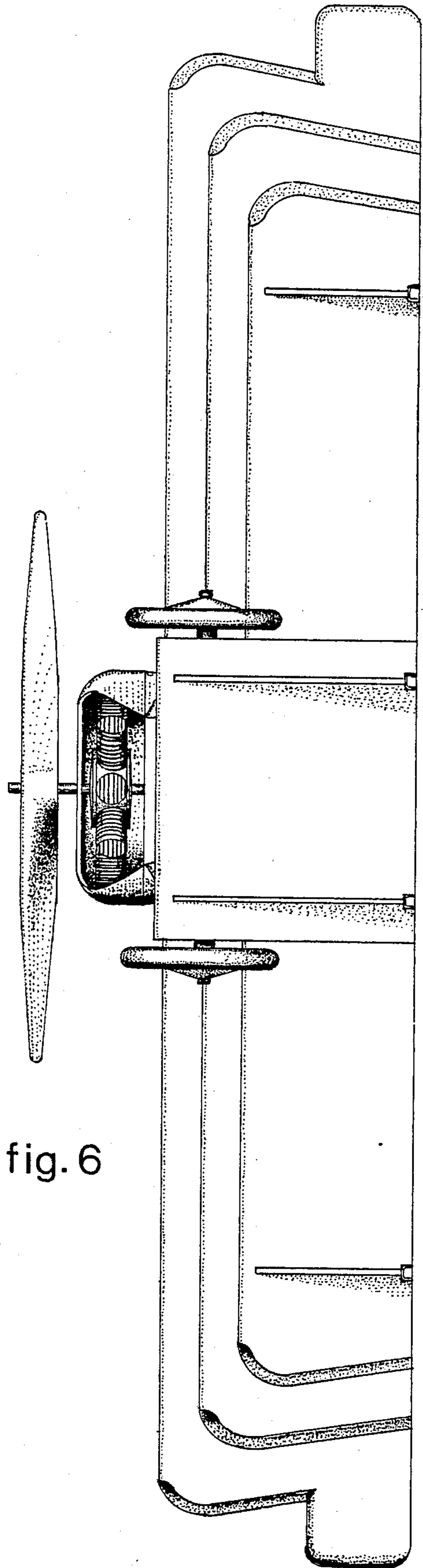


fig. 6