

[54] **FOOD SERVING COUNTER**

[75] **Inventor:** Jean-Claude Marchais, L'Hay Les
Roses, France

[73] **Assignee:** OFECO, S.A., Paris, France

[**] **Term:** 14 Years

[21] **Appl. No.:** 857,555

[22] **Filed:** Apr. 23, 1986

[30] **Foreign Application Priority Data**

Oct. 23, 1985 [FR] France 854992

[52] **U.S. Cl.** D6/481

[58] **Field of Search** D6/396, 481; 312/116,
312/140.1, 140.2, 285; D25/16

[56] **References Cited**

U.S. PATENT DOCUMENTS

D. 266,041 9/1982 Saurage, III et al. D6/481 X

D. 282,612 2/1986 Moore, Jr. D6/481

OTHER PUBLICATIONS

Foodservice Equipment Specialist, Jan. 1984, p. 66; Cold
Food Cart on page.

Restaurants and Institutions, Feb. 6, 1985, p. 118; Serv-
ing Counter by Shelley center of page.

Primary Examiner—Carmen H. Vales
Attorney, Agent, or Firm—Kenyon & Kenyon

[57] **CLAIM**

The ornamental design for a food serving counter, as
shown.

DESCRIPTION

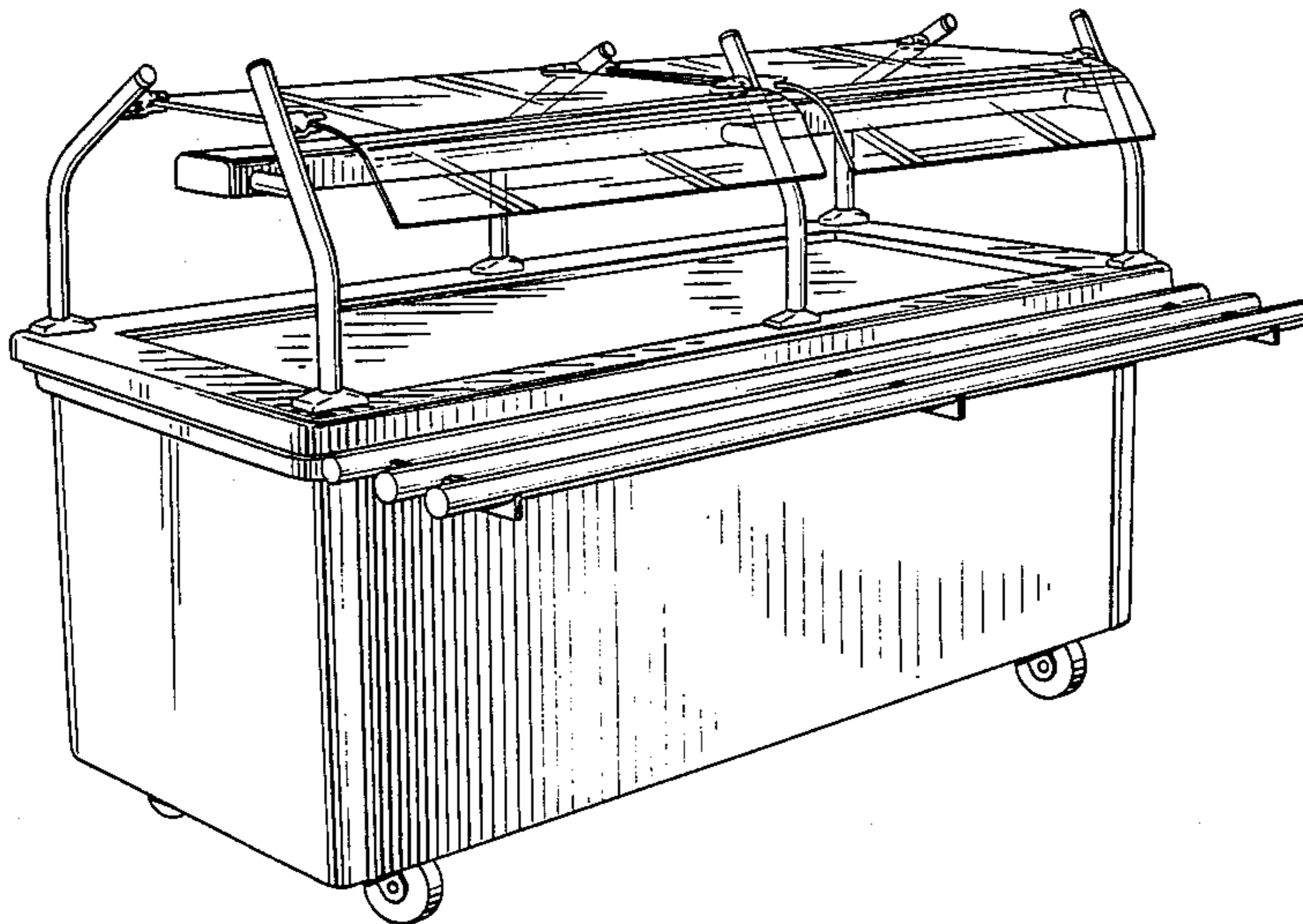
FIG. 1 is a perspective view of a food serving counter
showing my new design;

FIG. 2 is a front elevational view thereof;

FIG. 3 is a top plan view thereof;

FIG. 4 is a left side elevational view as seen when in use;
and

FIG. 5 is a rear elevational view thereof.



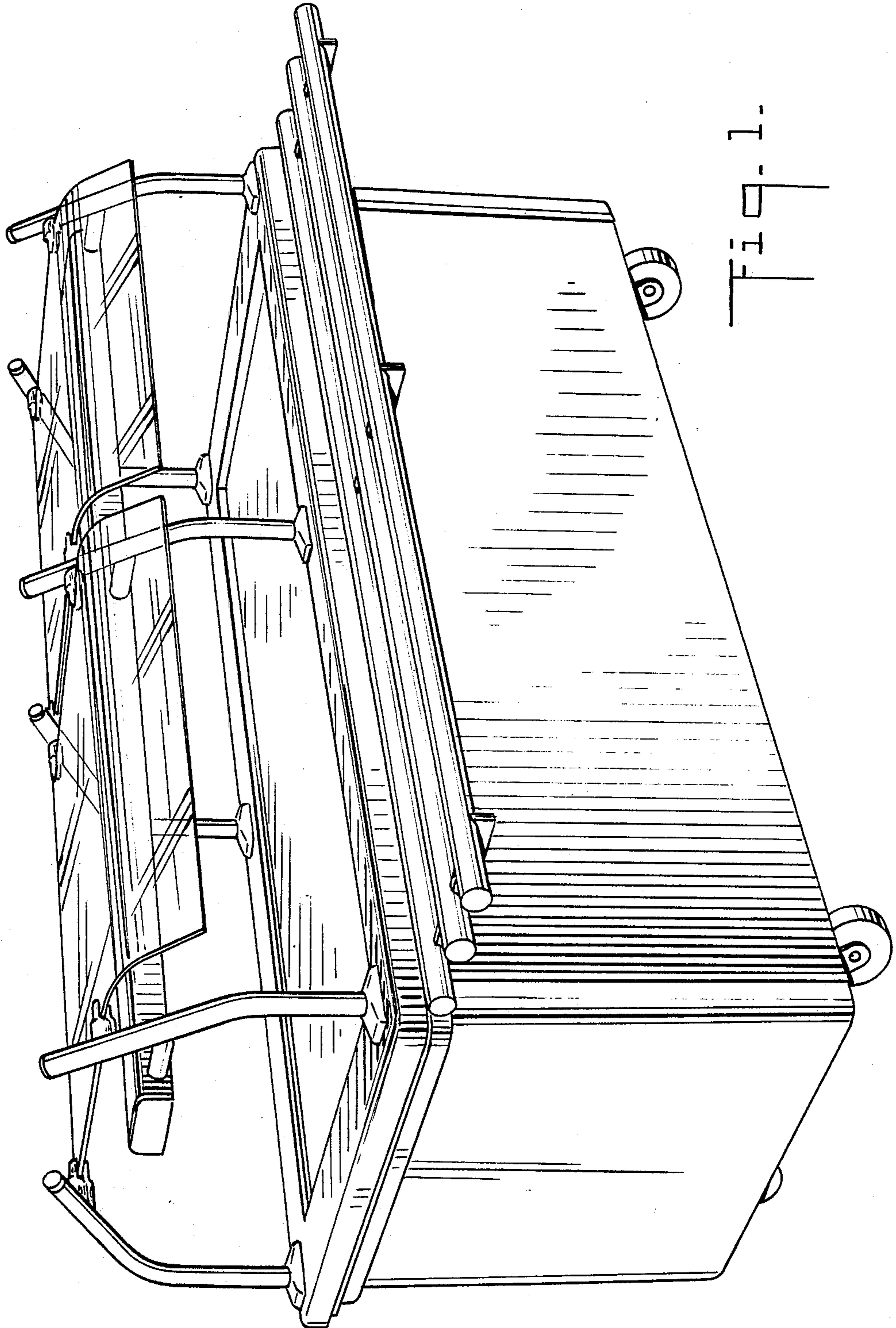


Fig. 1.

Fig. 2.

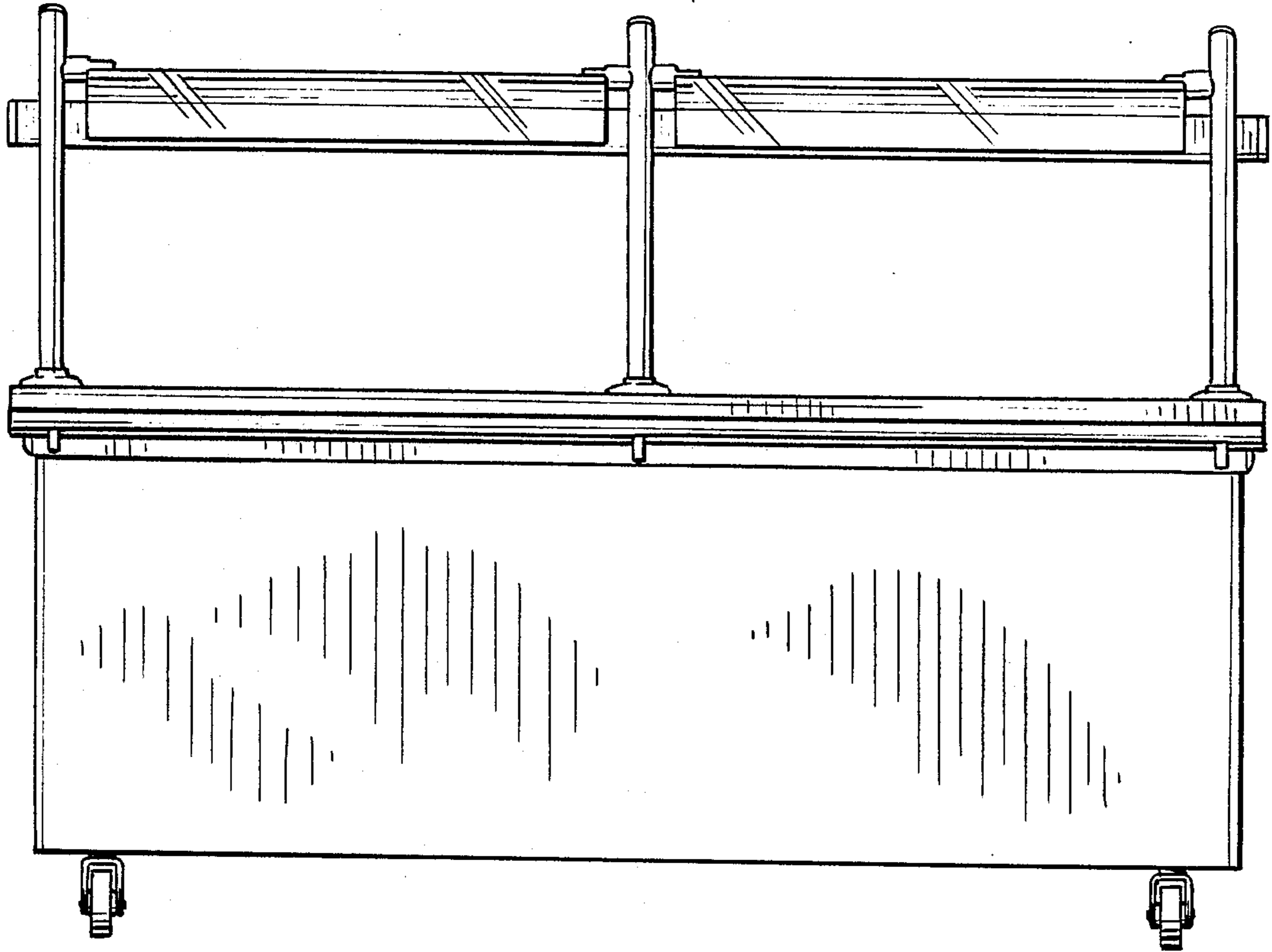


Fig. 3.

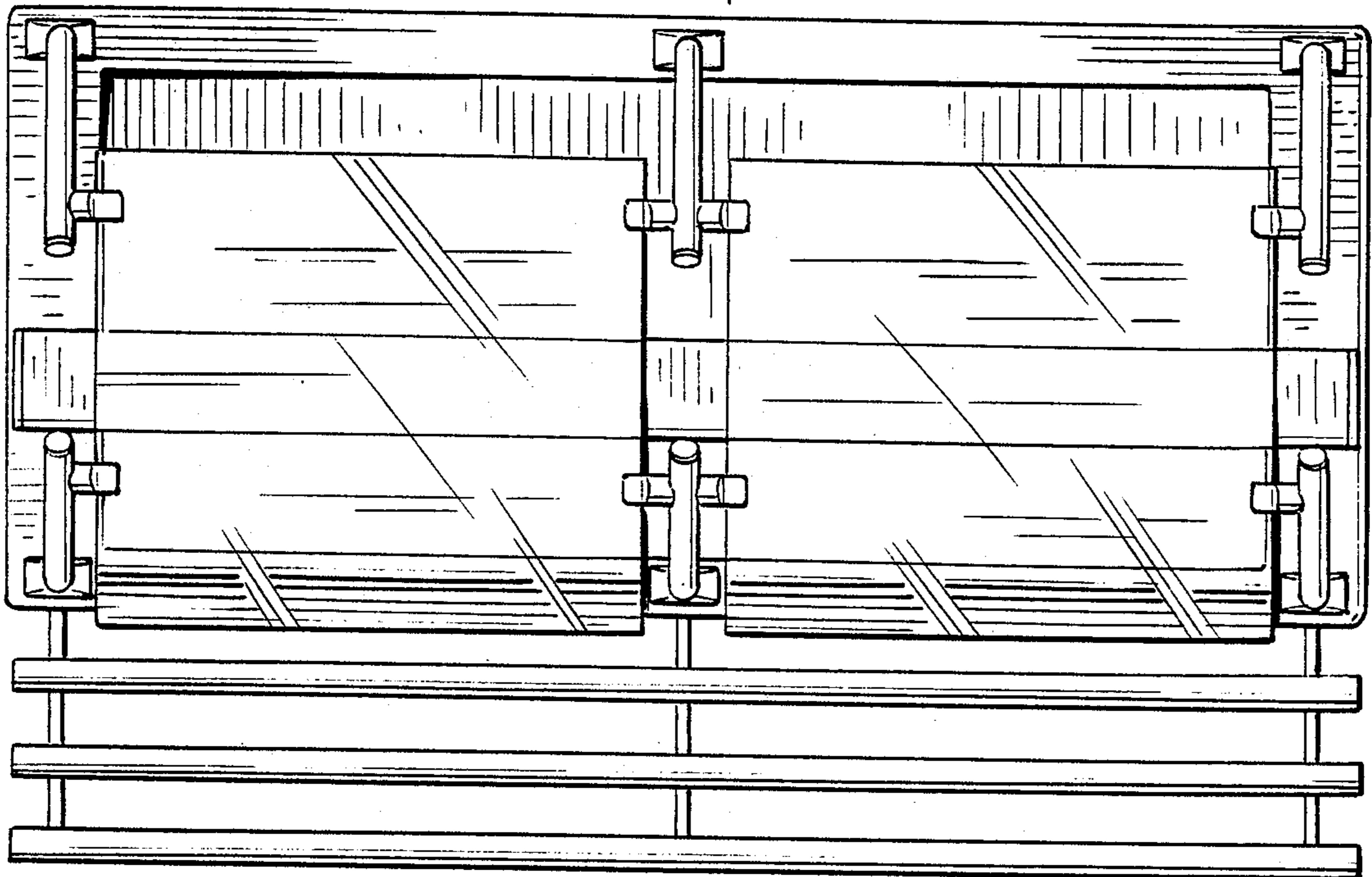


Fig. 4.

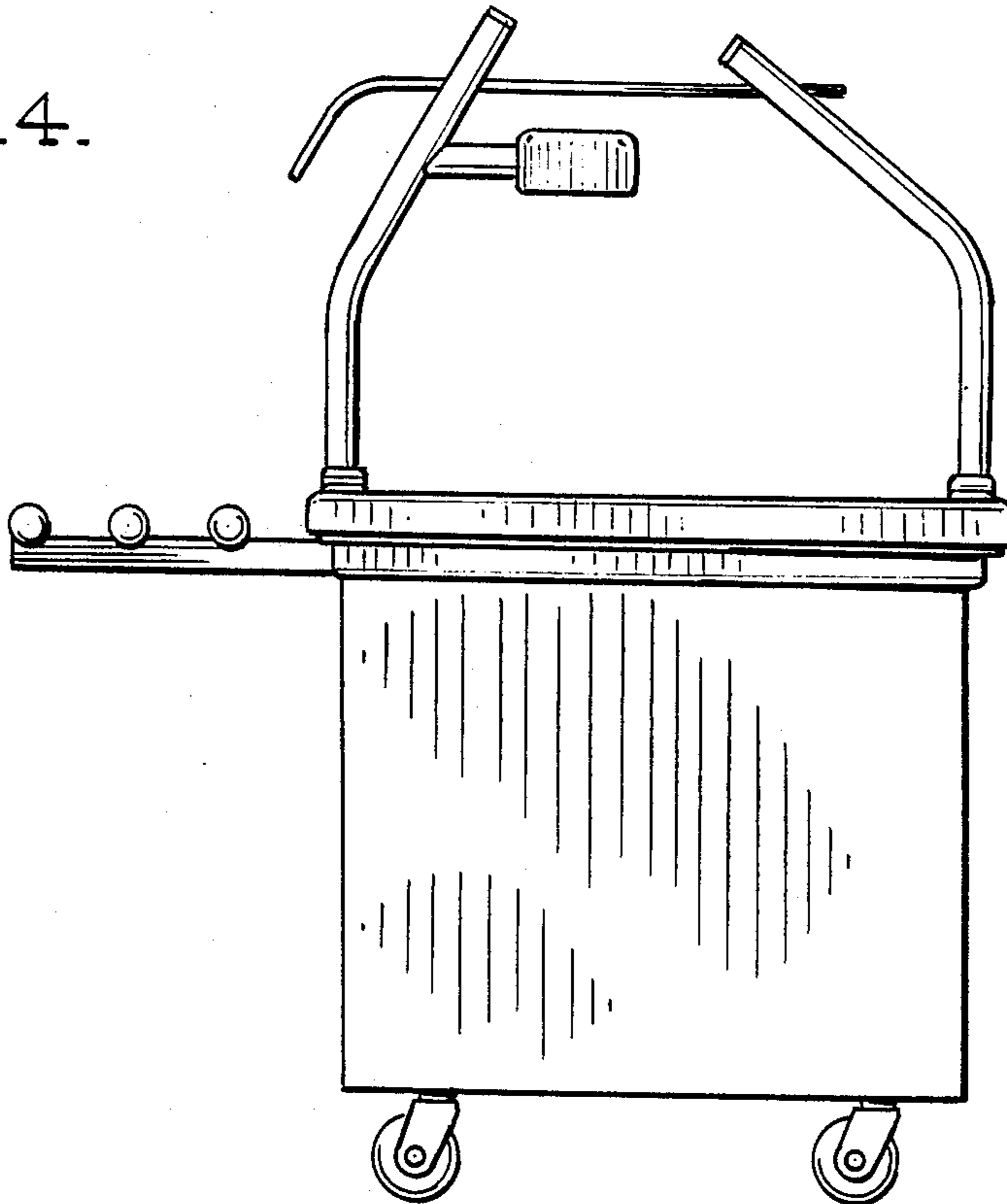


Fig. 5.

