

[54] **MERCHANDISING STAND**  
[75] **Inventor: Lynn E. Everett, New Philadelphia, Ohio**  
[73] **Assignee: Tusco Manufacturing Company, Gnadenhutten, Ohio**  
[\*\*] **Term: 14 Years**  
[21] **Appl. No.: 877,671**  
[22] **Filed: Jun. 23, 1986**  
[52] **U.S. Cl. .... D6/408**  
[58] **Field of Search ..... D6/408, 449, 515; 312/42, 45, 60, 61, 71; 211/59.2, 51, 49.1**

2,613,815 10/1952 Mohrmann ..... 211/51 X  
4,015,885 4/1977 Baggaley ..... 211/59.2 X  
4,530,548 7/1985 Spamer et al. .... 312/45  
4,690,287 9/1987 Fershko et al. .... 211/49.1

*Primary Examiner—Carmen H. Vales*  
*Attorney, Agent, or Firm—Marshall & Melhorn*

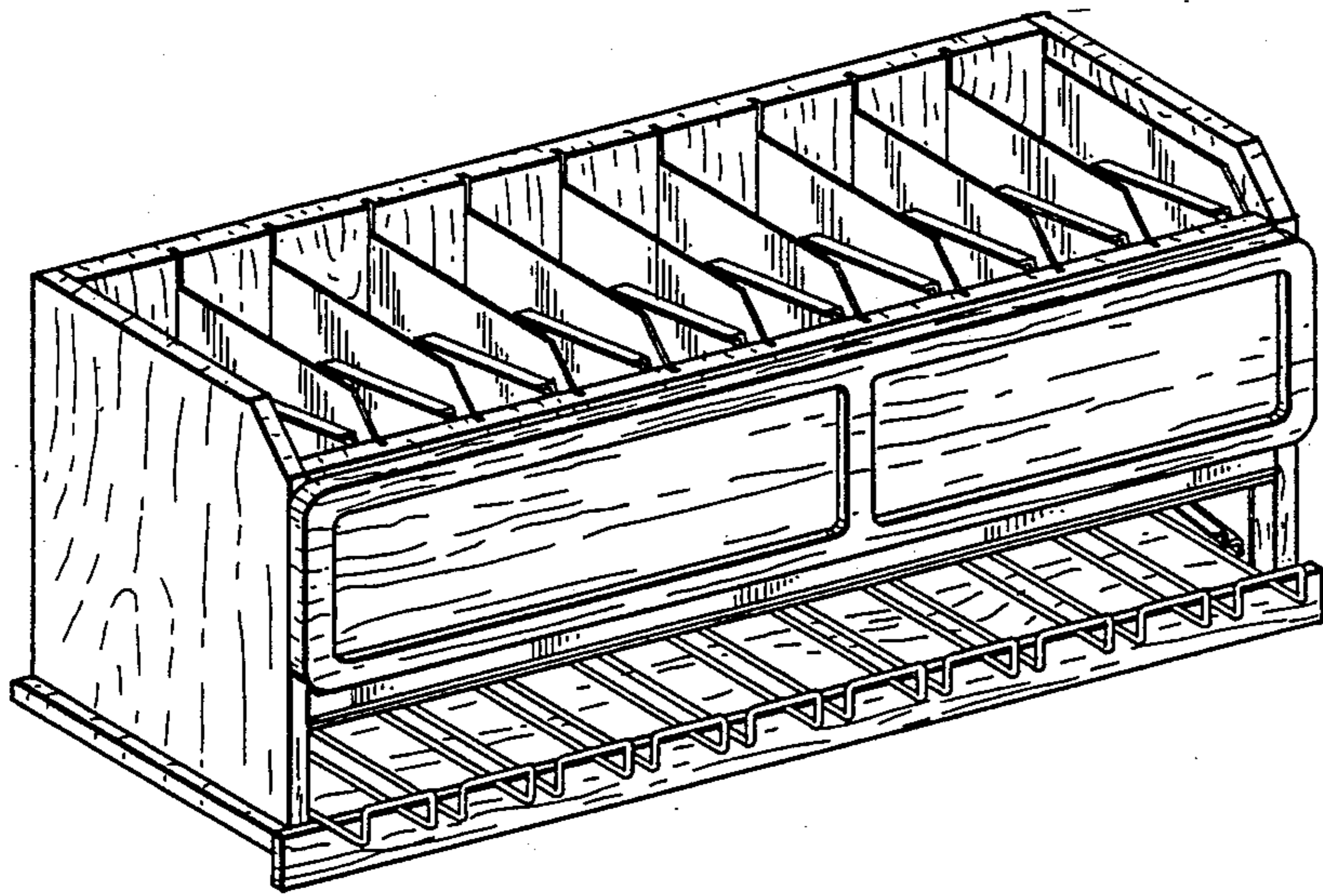
[57] **CLAIM**

The ornamental design for a merchandising stand, as shown.

**DESCRIPTION**

FIG. 1 is a perspective view of a merchandising stand showing my new design;  
FIG. 2 is a front elevational view thereof;  
FIG. 3 is a right side elevational view thereof;  
FIG. 4 is a left side elevational view thereof;  
FIG. 5 is a top plan view thereof; and  
FIG. 6 is a rear elevational view thereof.

[56] **References Cited**  
**U.S. PATENT DOCUMENTS**  
D. 268,068 3/1983 Ellenson et al. .... D6/515



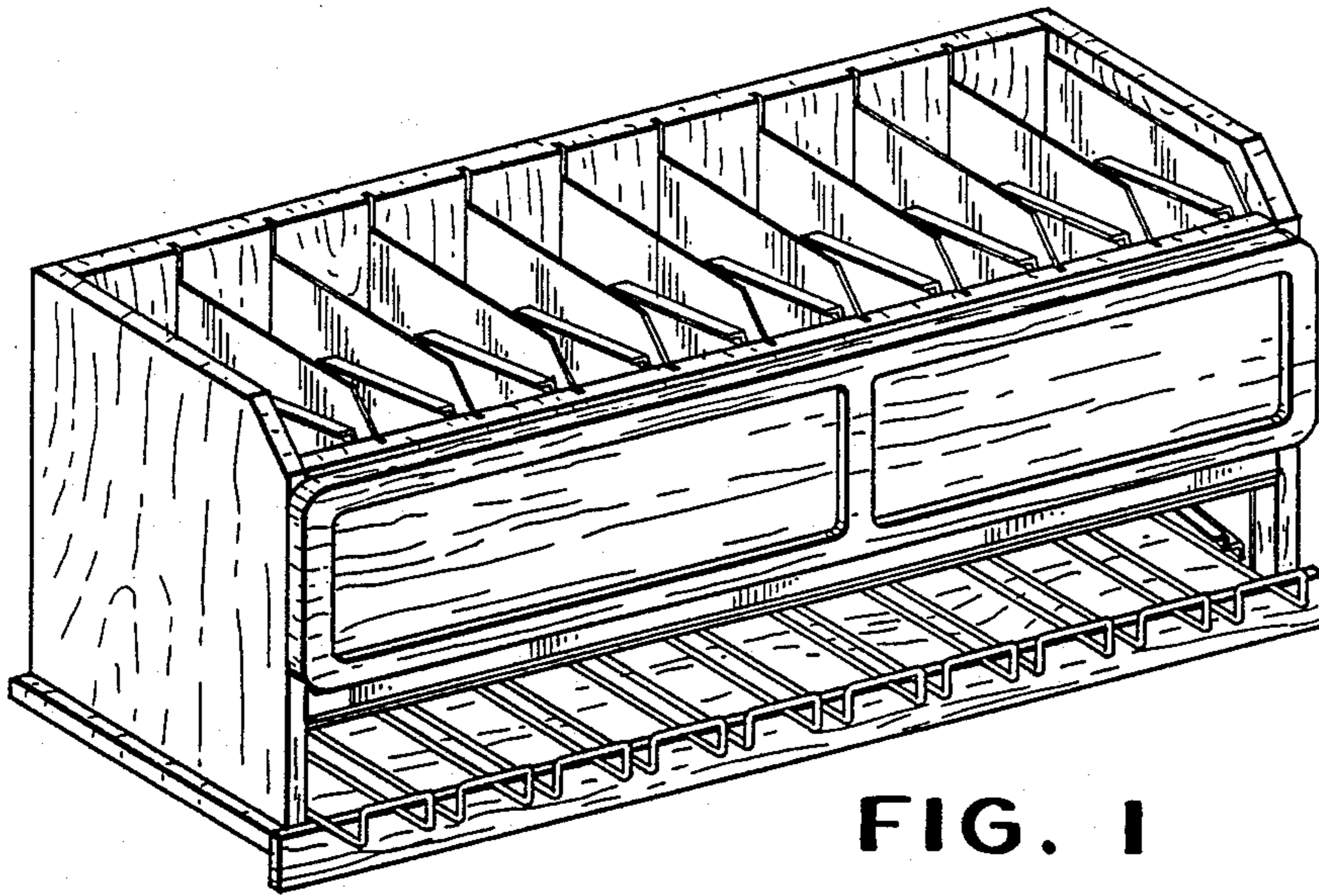


FIG. 1

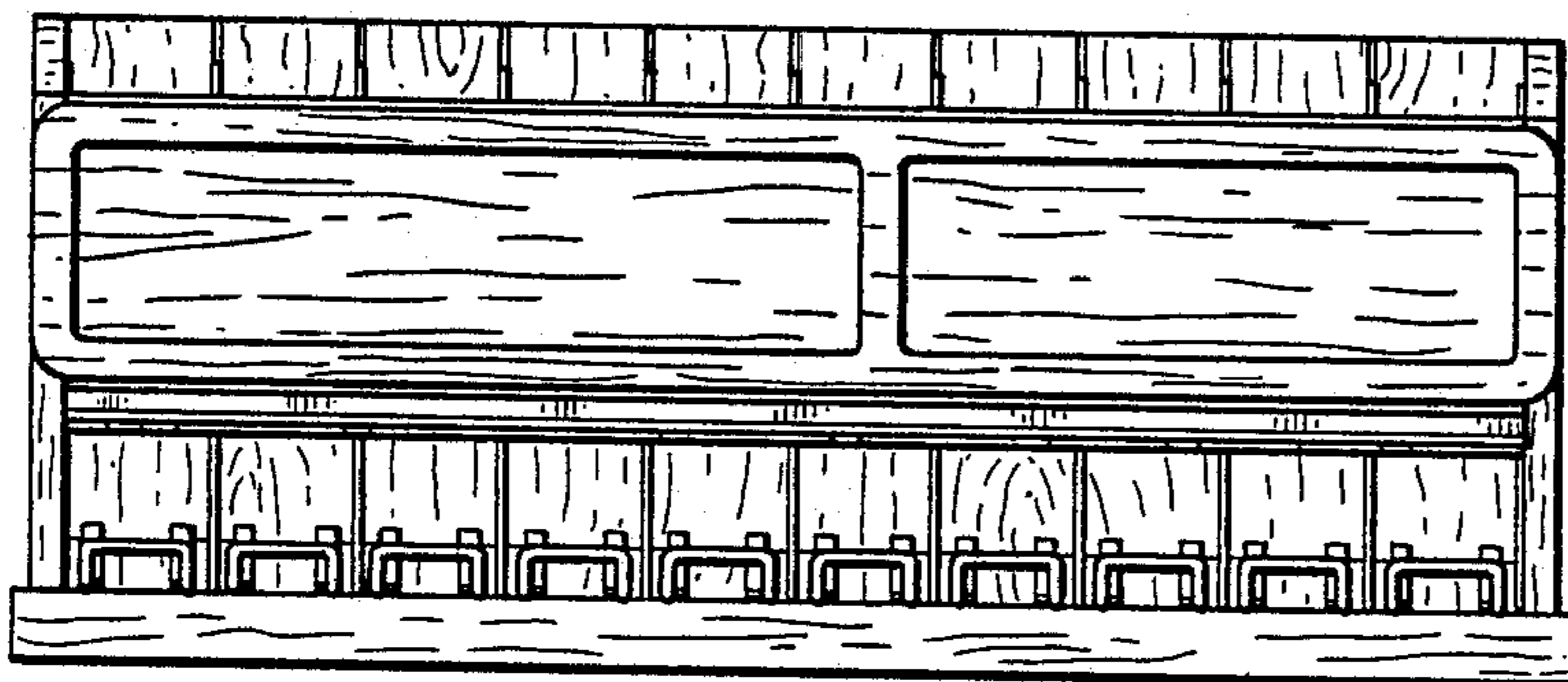


FIG. 2

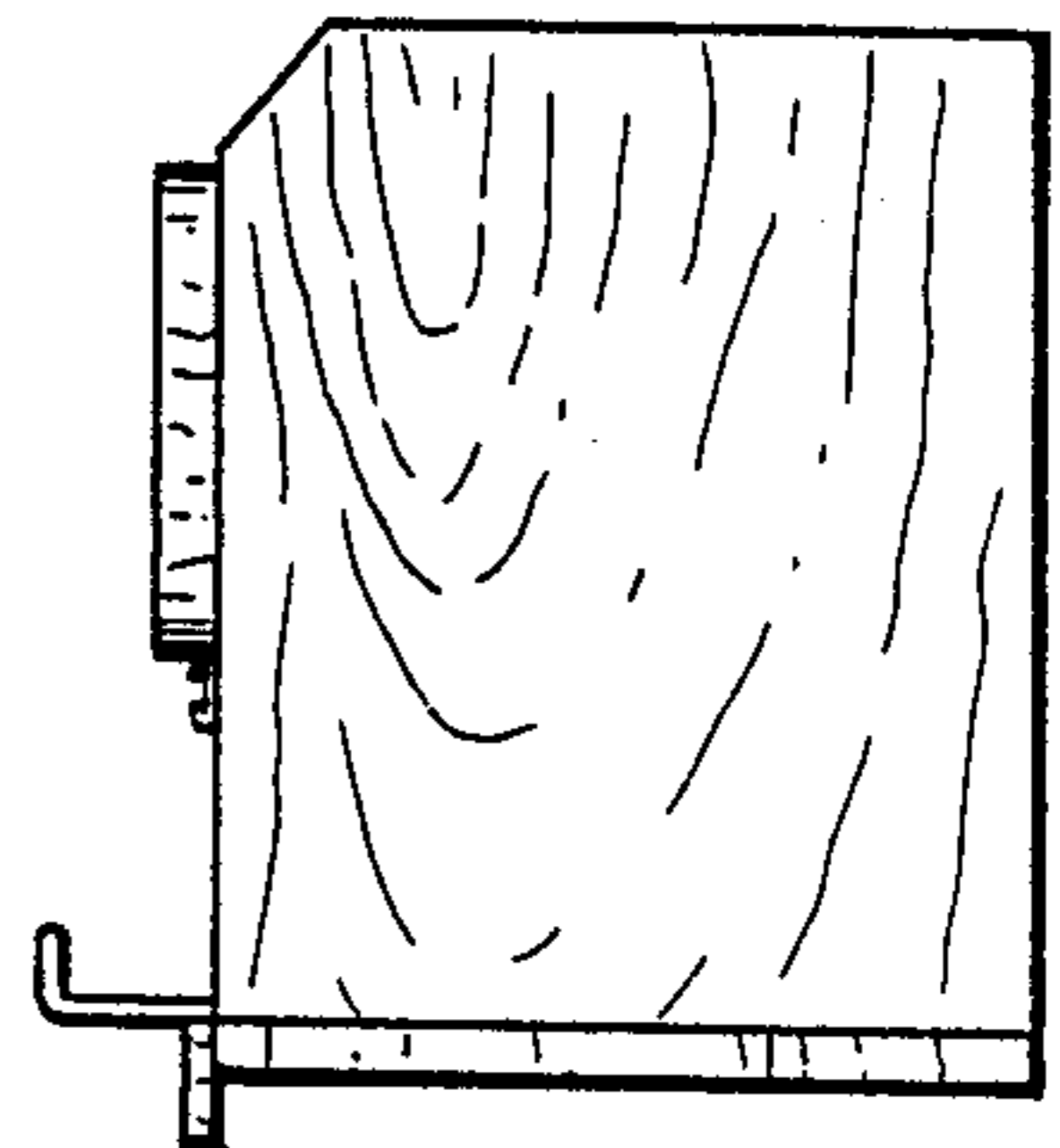


FIG. 3

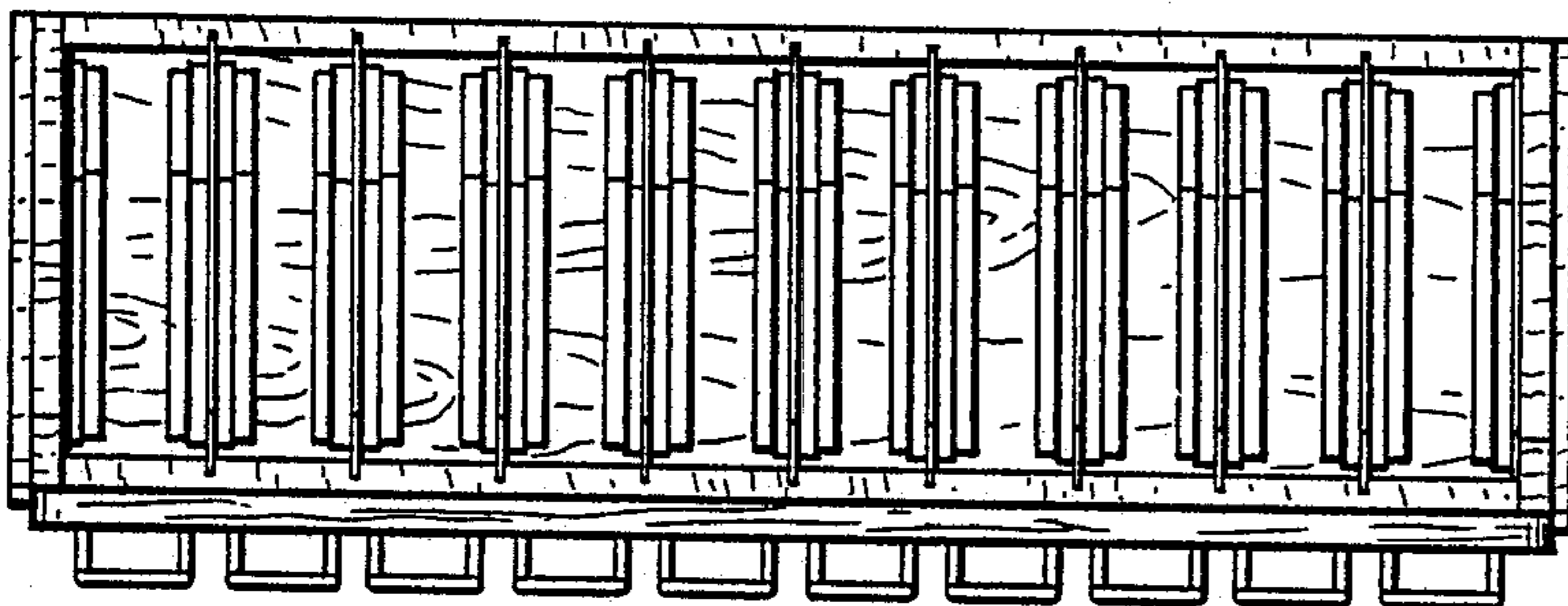


FIG. 5

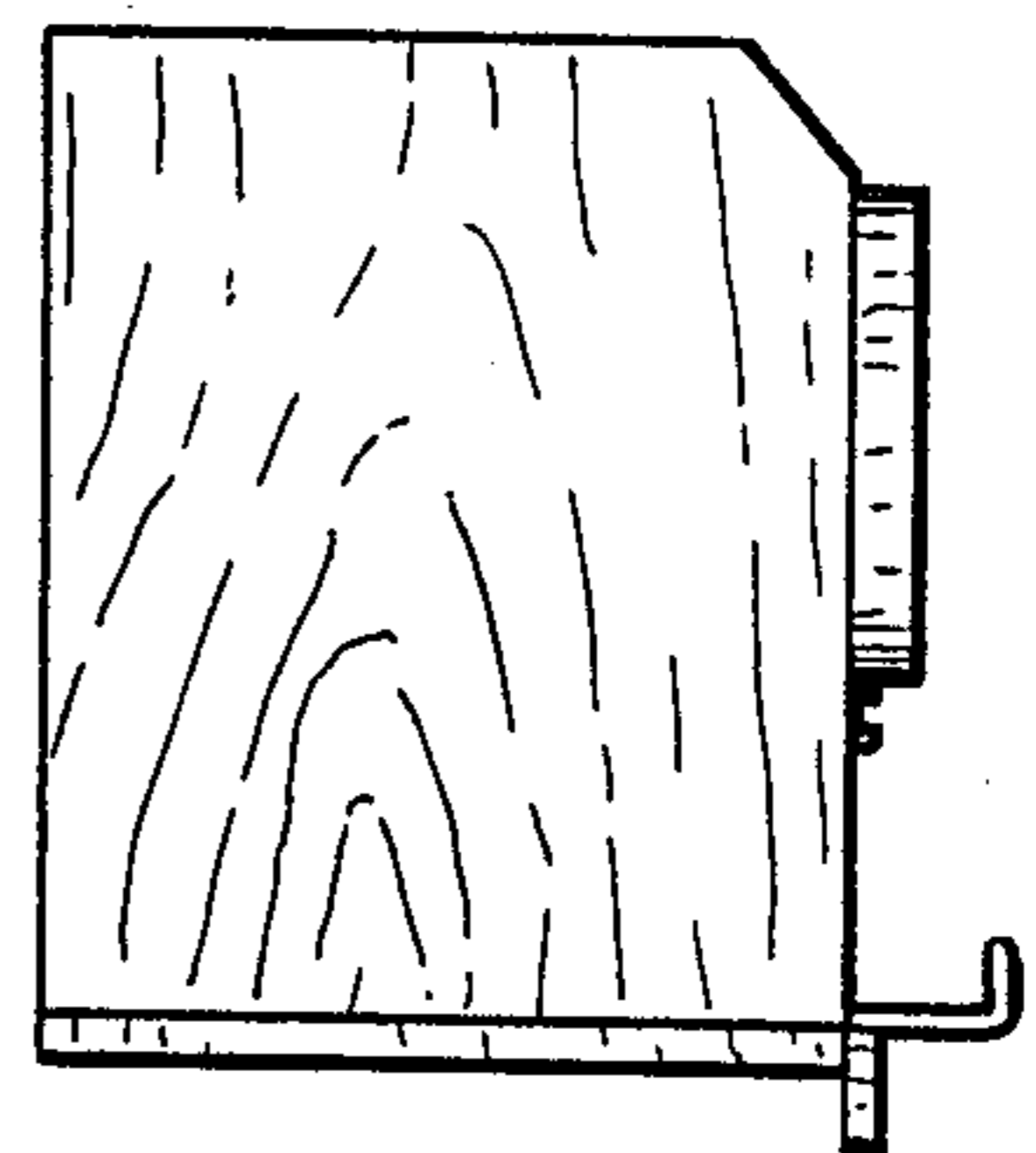


FIG. 4

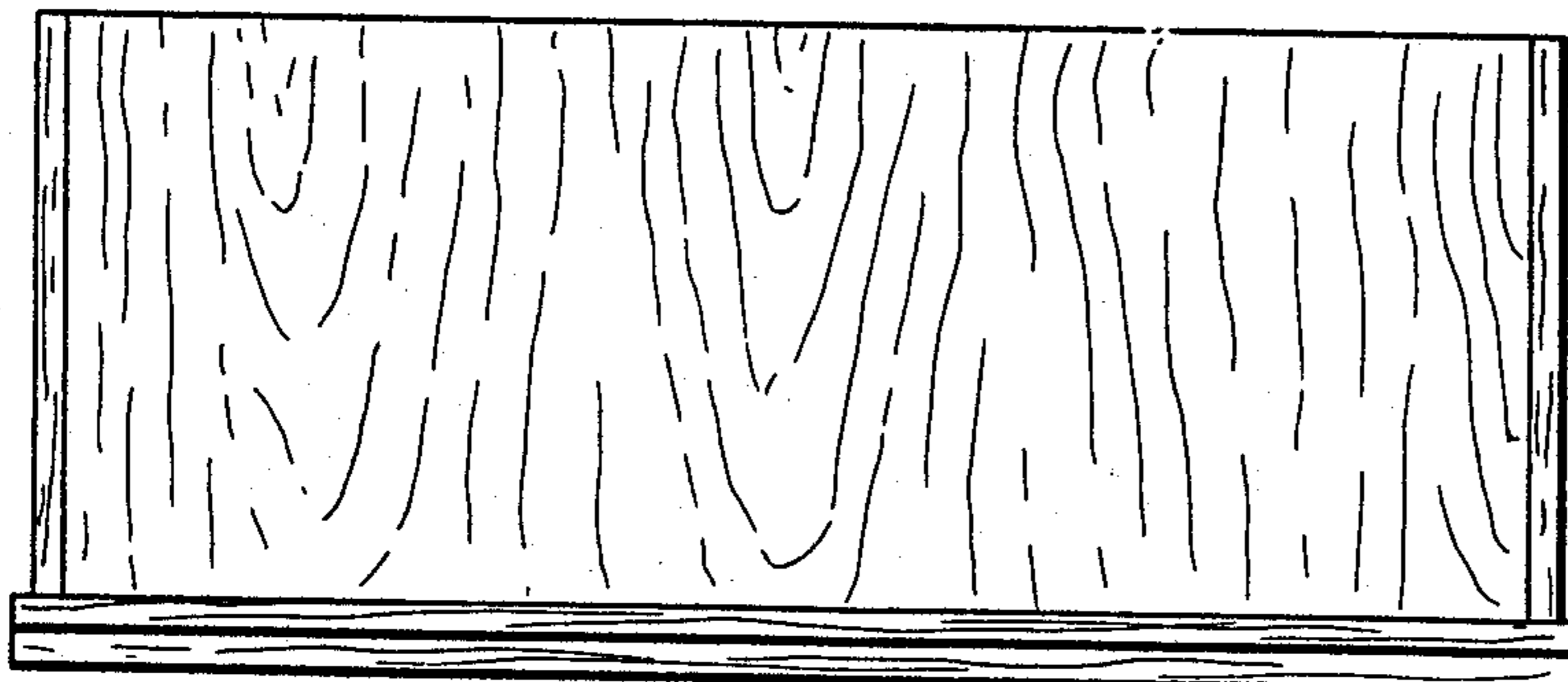


FIG. 6