

United States Patent [19]

Cross et al.

[11] Patent Number: **Des. 300,589**

[45] Date of Patent: **** Apr. 11, 1989**

[54] CASSETTE CADDIE

[76] Inventors: **Douglas W. Cross**, 129 Padelford St., Berkley, Mass. 02702; **Randy Houghtaling**, 4040 Auburn Way #5, Auburn, Wash. 98002

[**] Term: **14 Years**

[21] Appl. No.: **857,825**

[22] Filed: **Apr. 28, 1986**

[52] U.S. Cl. **D6/407; D3/35**

[58] Field of Search **D6/407, 475, 511, 509, D6/510; 211/13, 40, 41; 312/9-12; D3/35; 206/387**

[56] **References Cited**

U.S. PATENT DOCUMENTS

D. 232,508 8/1974 Wright D6/510

D. 233,110 10/1974 Little D6/510
D. 265,768 8/1982 Howley D3/35 X
D. 284,204 6/1986 Kirchner D3/35 X
D. 287,425 12/1986 Kirchner D3/35
D. 287,907 1/1987 Yu D3/35
4,355,974 10/1982 Lee 211/41 X

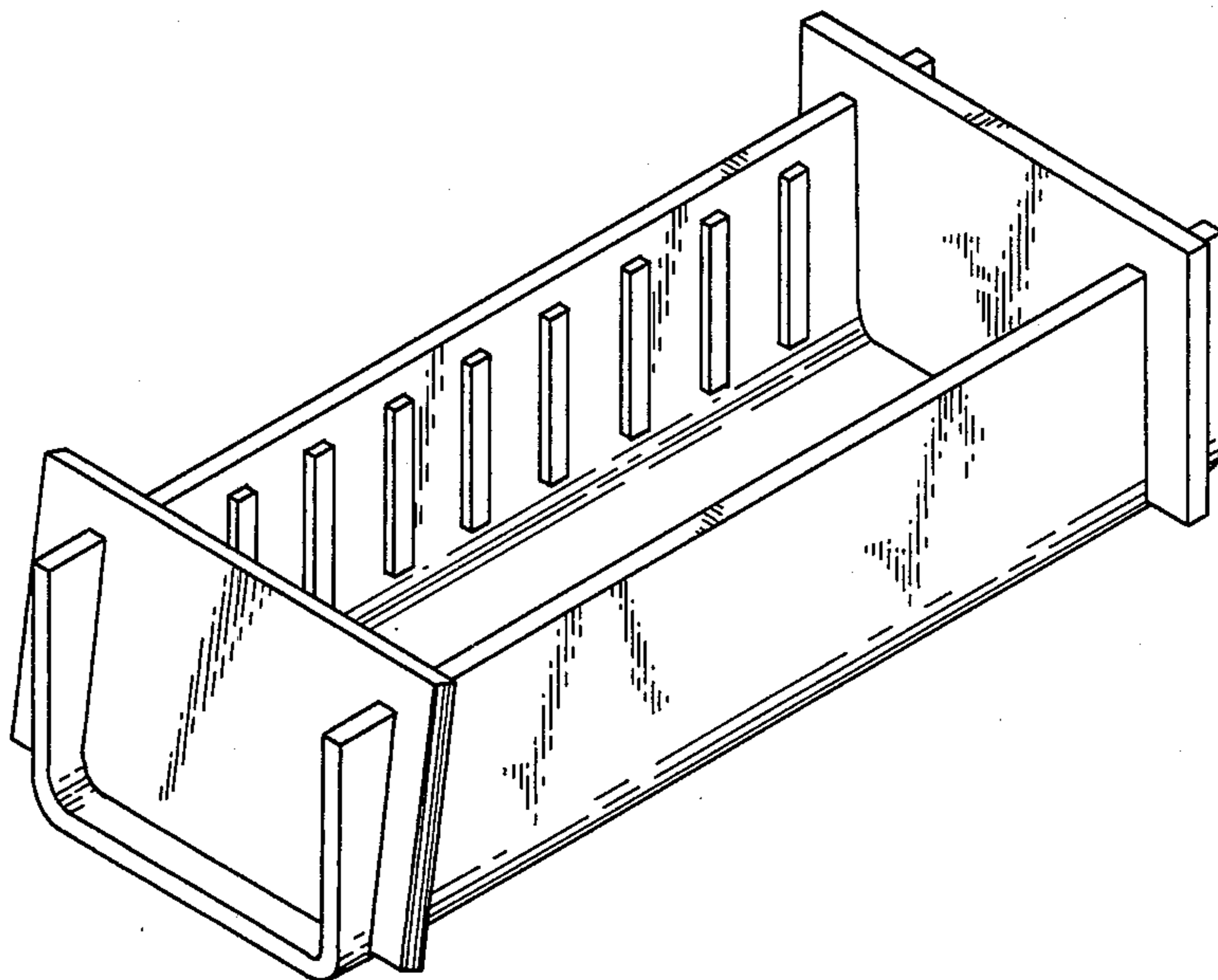
Primary Examiner—Carmen H. Vales
Attorney, Agent, or Firm—Terry M. Gernstein

[57] CLAIM

The ornamental design for a cassette caddy, as shown and described.

DESCRIPTION

FIG. 1 is a perspective view of a cassette caddy showing our new design;
FIG. 2 is a side elevational view thereof;
FIG. 3 is a top plan view thereof;
FIG. 4 is a bottom plan view thereof; and
FIG. 5 is a rear elevational view thereof.



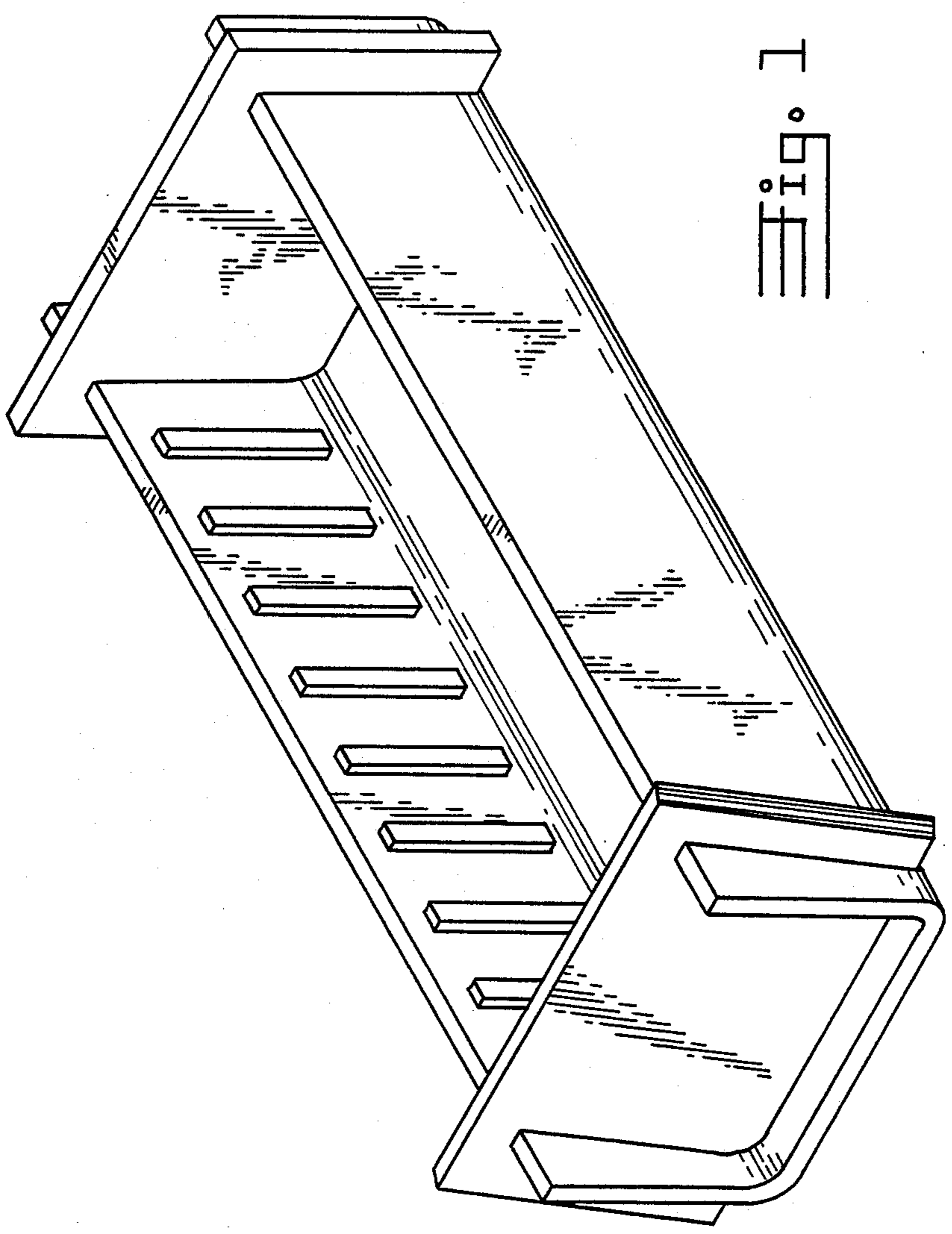


Fig. 1

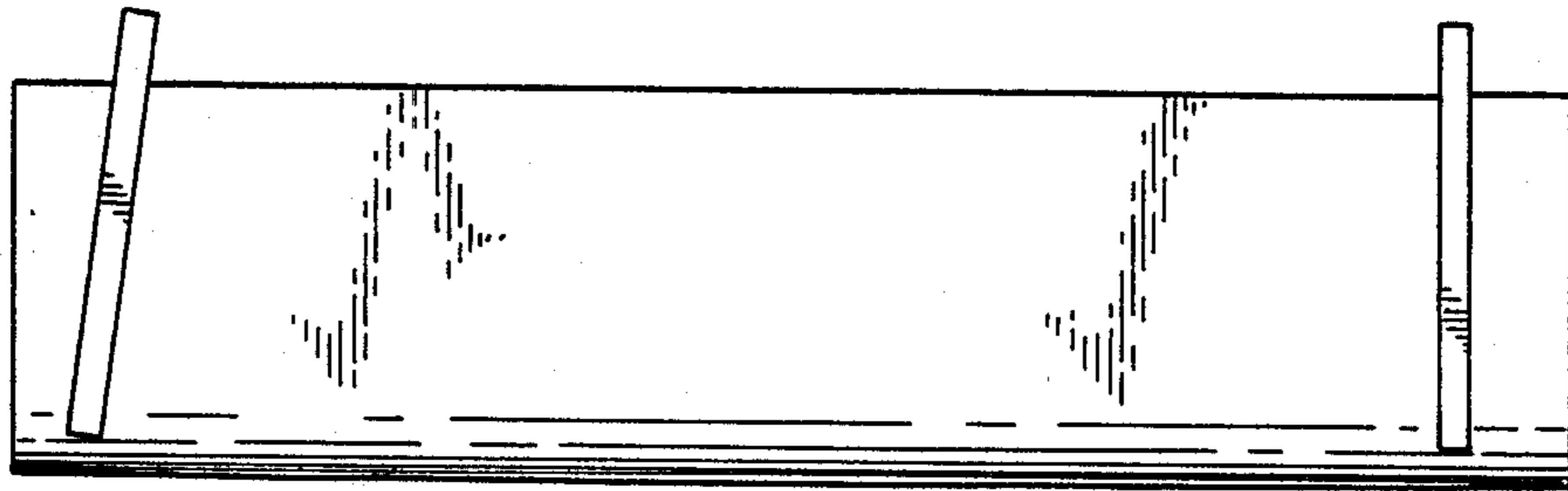


Fig. 2

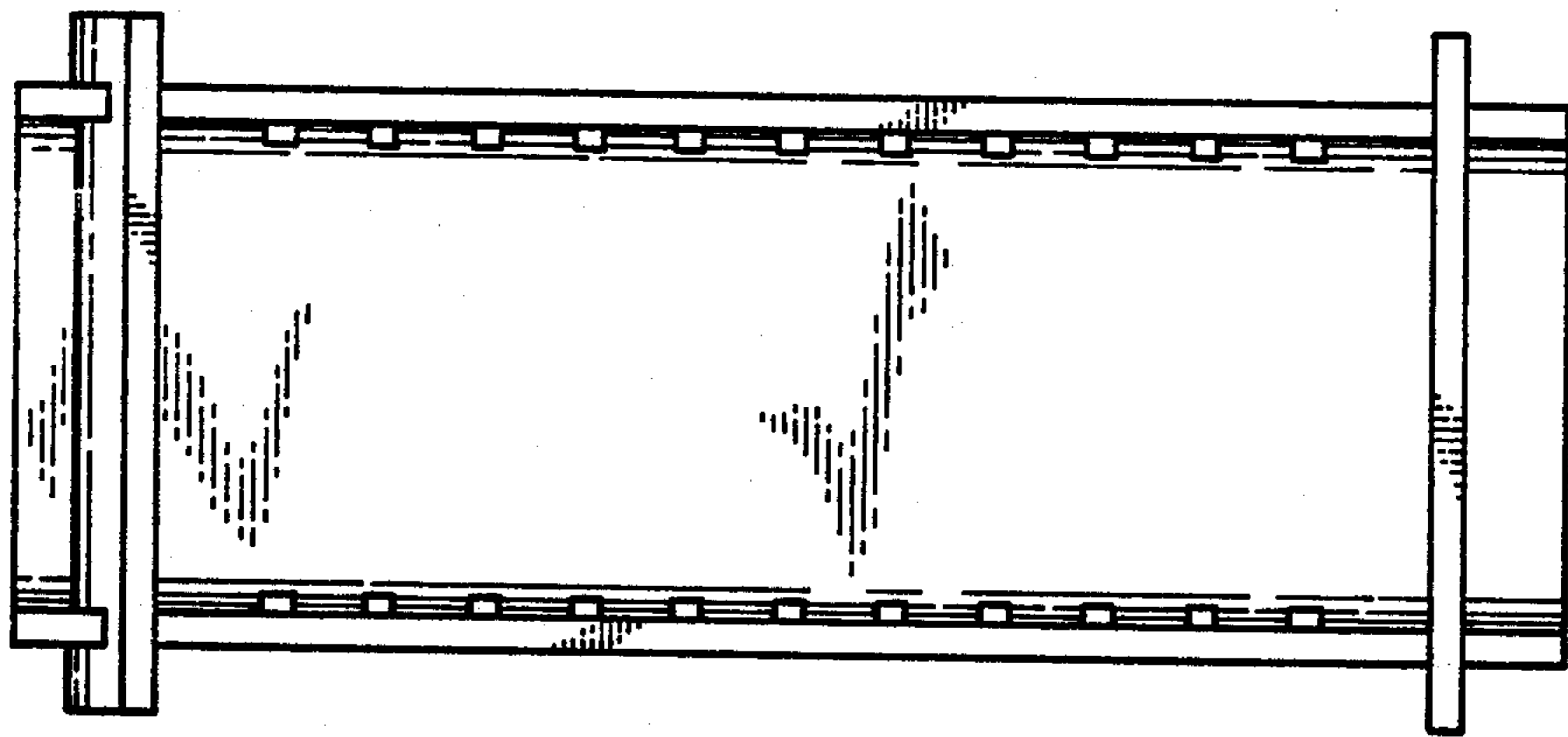


Fig. 3

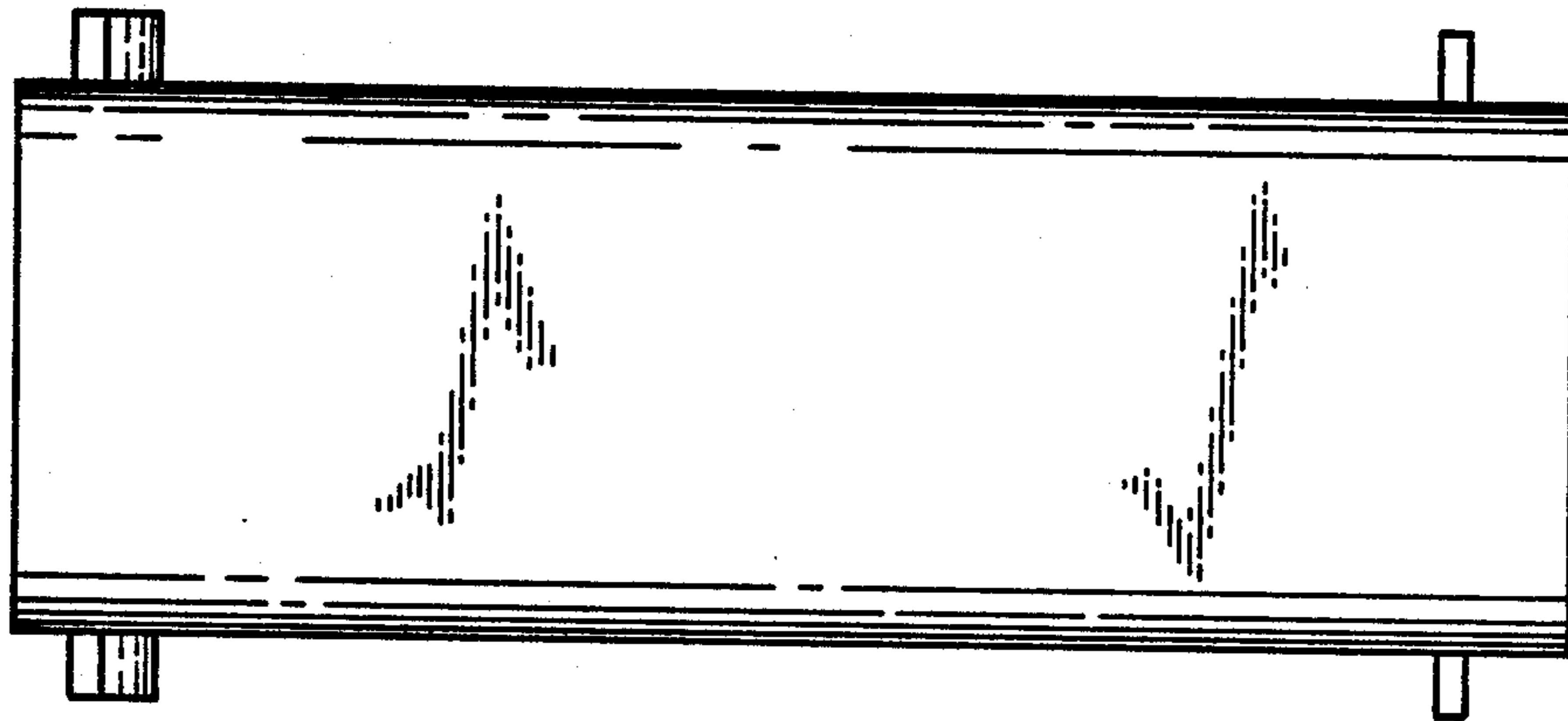


Fig. 4

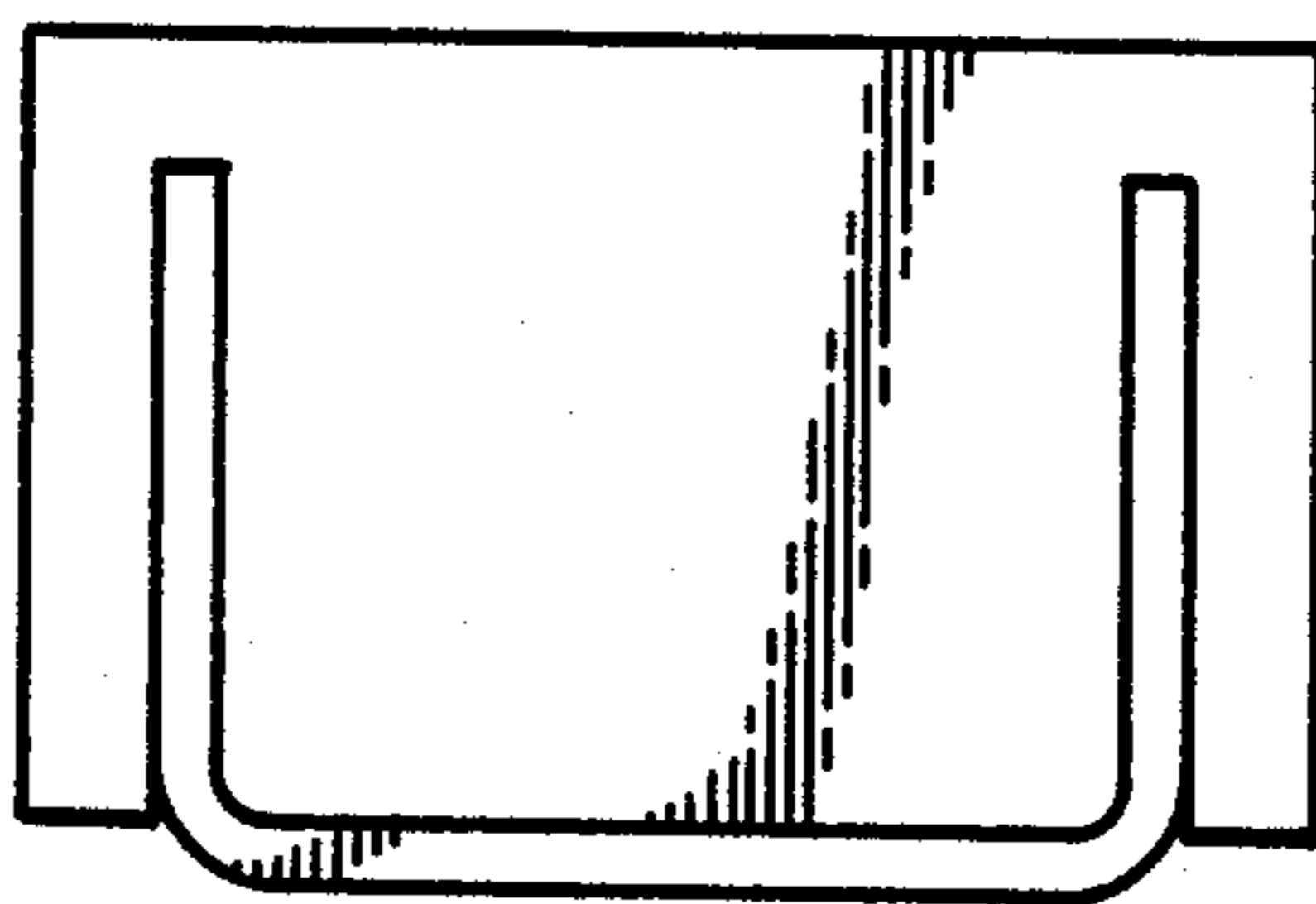


Fig. 5