

[54] **STORAGE CASE**

[75] **Inventor: E. W. Smith, Burleson, Tex.**

[73] **Assignee: Daskocil Manufacturing Co., Inc.,
 Arlington, Tex.**

[**] **Term: 14 Years**

[21] **Appl. No.: 750,256**

[22] **Filed: Jul. 1, 1985**

[52] **U.S. Cl. D3/72; D3/35**

[58] **Field of Search D3/20, 76, 35, 42, 30.1,
 D3/39, 41, 72, 73; 190/100, 115**

[56] **References Cited**

U.S. PATENT DOCUMENTS

D. 106,124	9/1937	Pratt	D3/72
D. 200,141	1/1965	Feinberg	D3/76
D. 217,112	4/1970	Petitto	D3/20
D. 228,580	10/1973	Schurman	D3/72
D. 244,749	6/1977	Hodges	D3/20 X
D. 249,590	9/1978	Berkman	D3/35
D. 263,015	2/1982	Loncasty	D3/72 X
D. 286,950	12/1986	Miles et al.	D3/76 X
D. 291,139	7/1987	Warwicker	D3/72 X
2,282,408	5/1942	Lowe	190/100

2,846,800	8/1958	Marks et al.	190/100 X
3,128,002	4/1964	Buchanan	190/115 X

OTHER PUBLICATIONS

Global Computer Supplies, ©1982, cat. p-83, p. 6; disk carrying case bottom left on page.

Devoke Data Products, cat. Q 2/83, p. 19; floppy disk file cases on page, top right and center.

Primary Examiner—Carmen H. Vales

Attorney, Agent, or Firm—Charles W. McHugh

[57] **CLAIM**

The ornamental design for a "storage case", as shown and described.

DESCRIPTION

FIG. 1 is a perspective view of a "Storage Case" showing my new design;

FIG. 2 is a front elevational view thereof;

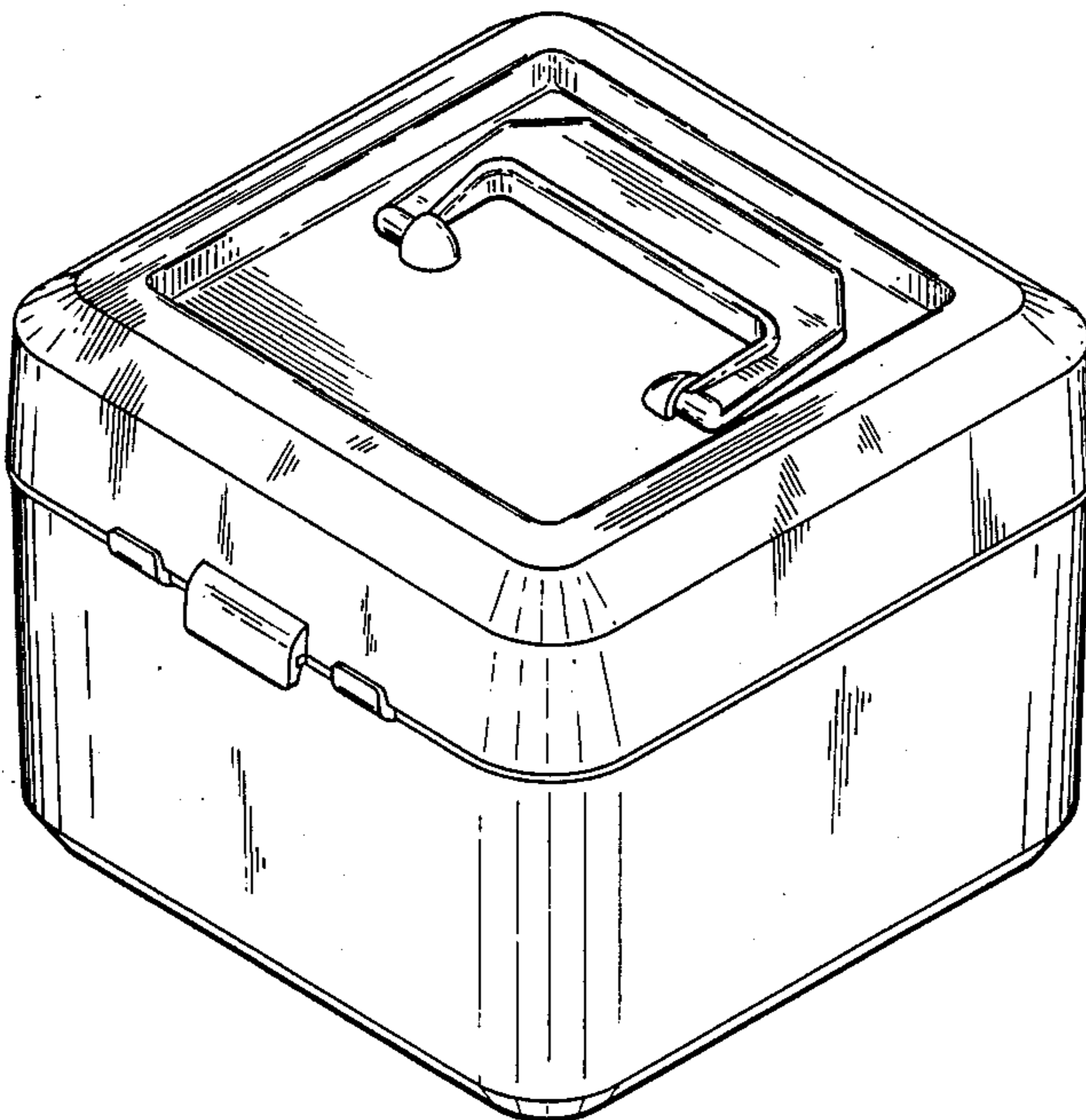
FIG. 3 is a top plan view thereof;

FIG. 4 is a right side elevational view thereof;

FIG. 5 is a bottom plan view thereof;

FIG. 6 is a rear elevational view thereof; and

FIG. 7 is a left side elevational view thereof, the top being partially opened and the handle being partially raised.



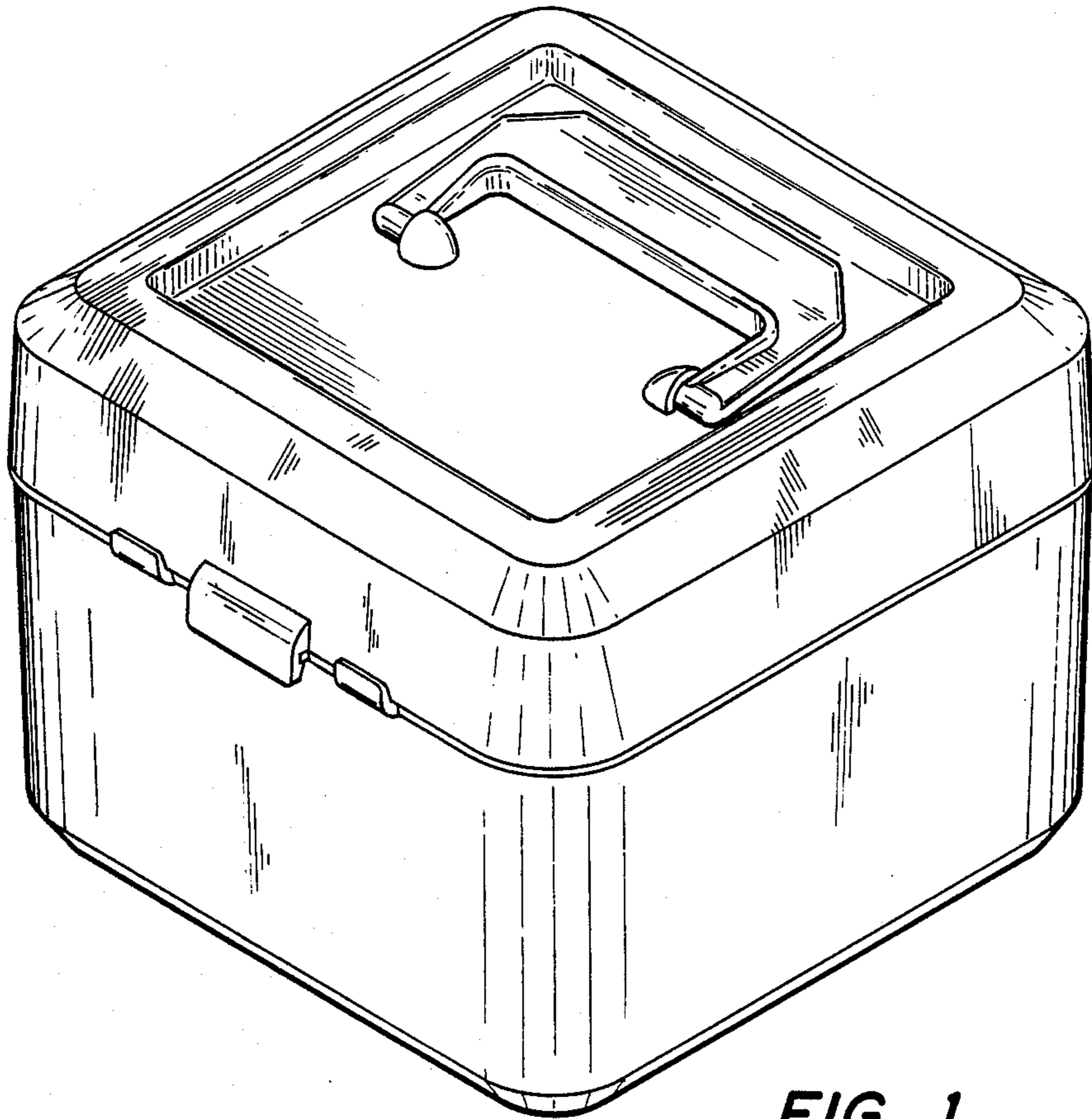


FIG. 1

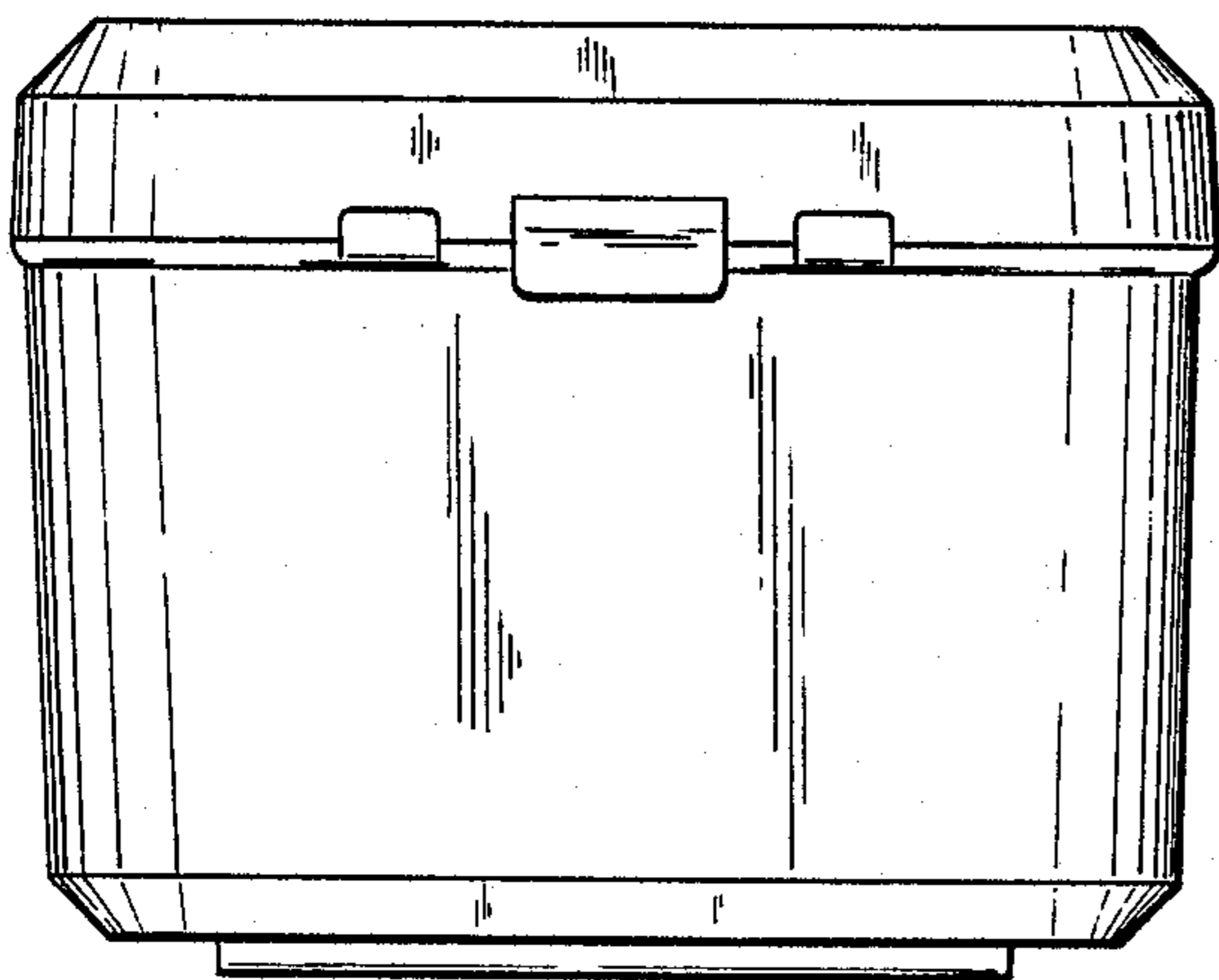


FIG. 2

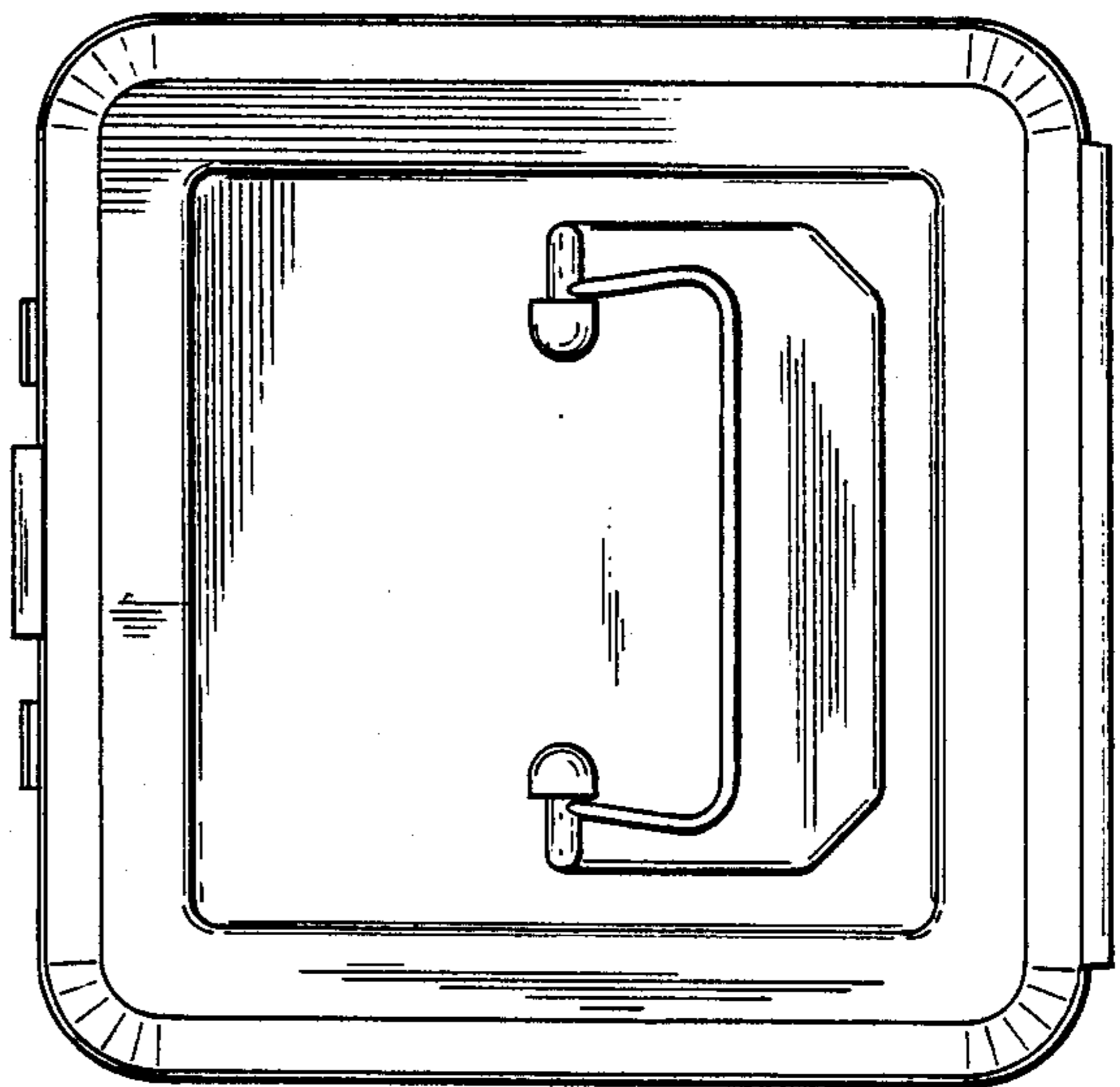


FIG. 3

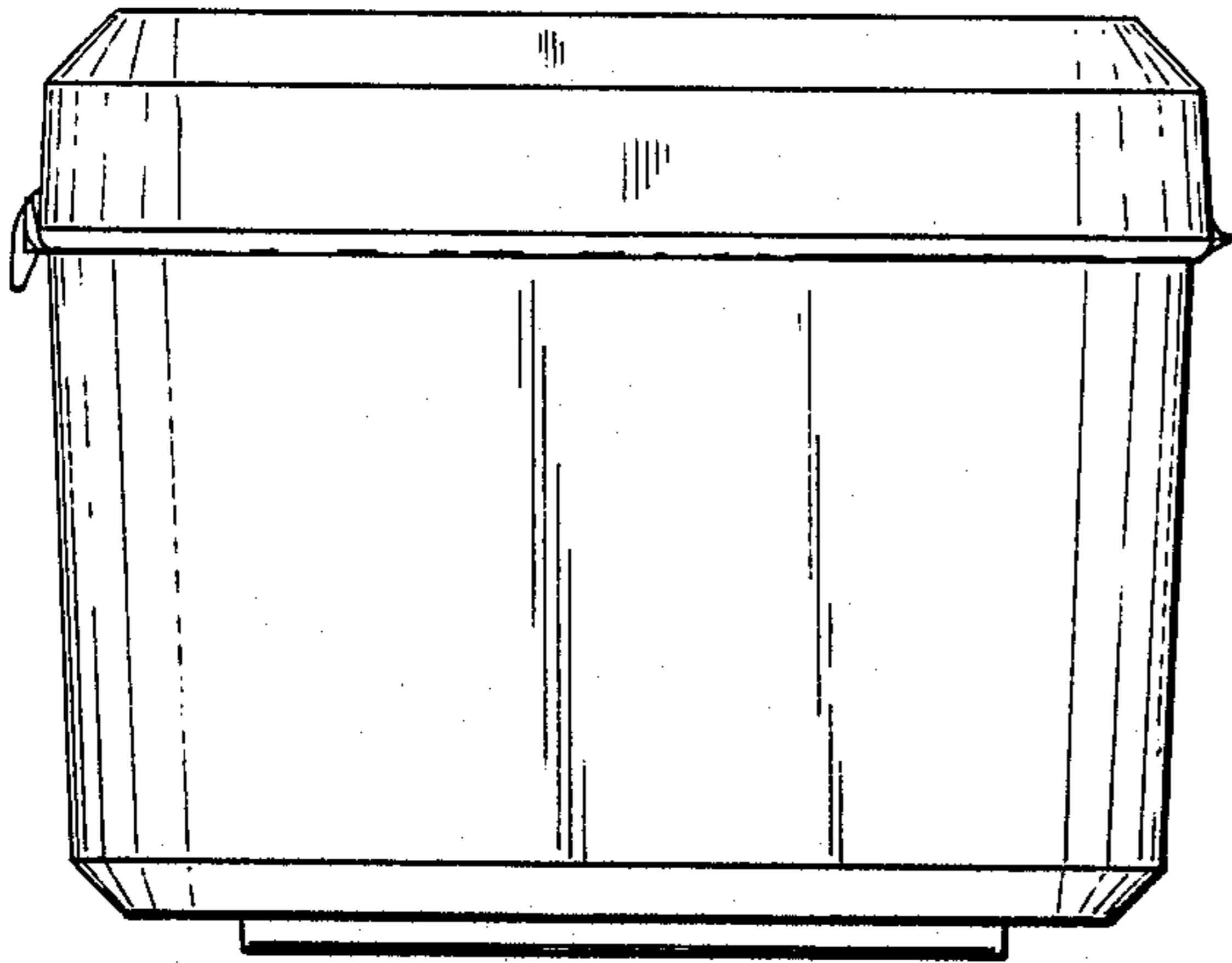


FIG. 4

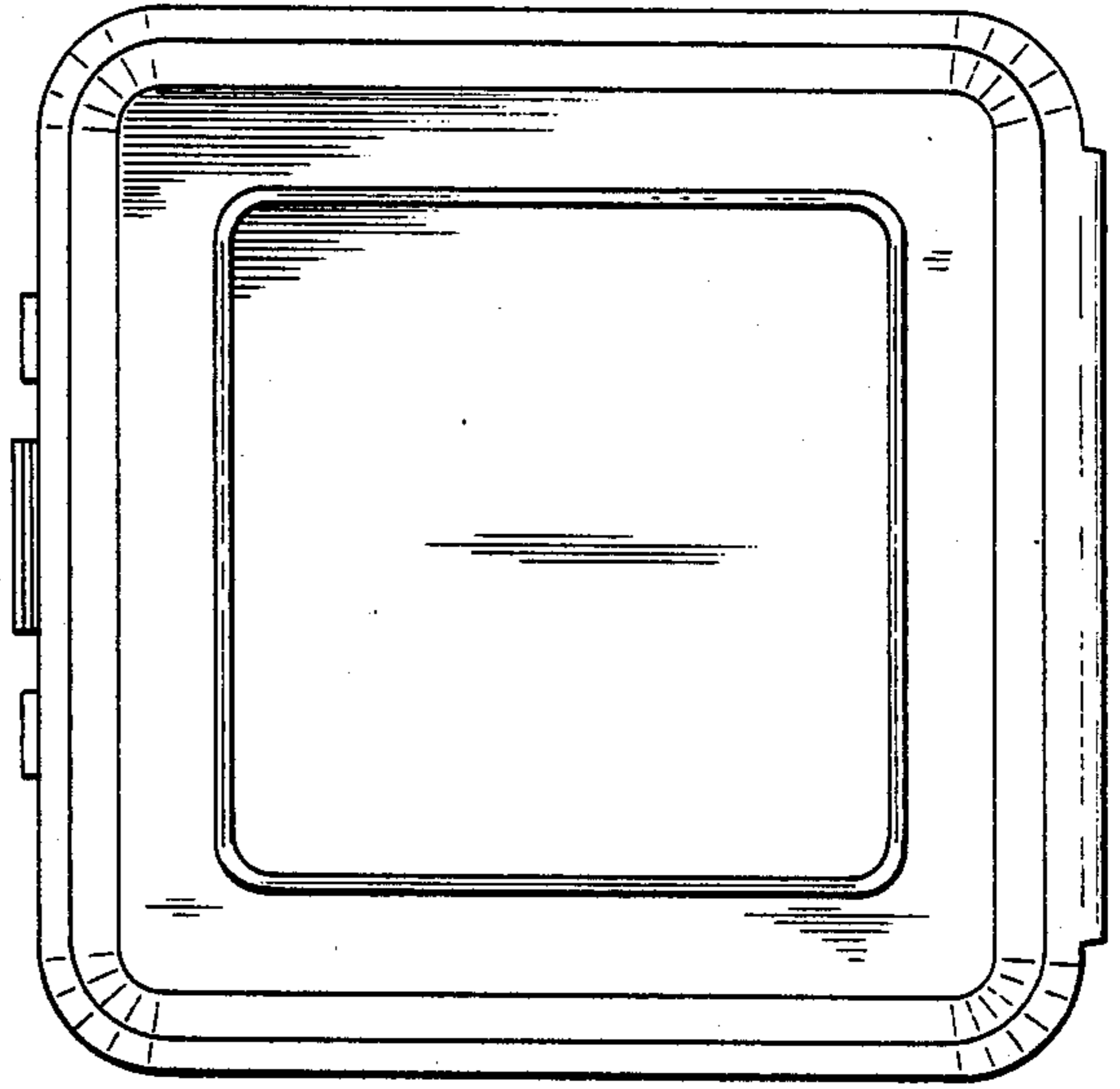


FIG. 5

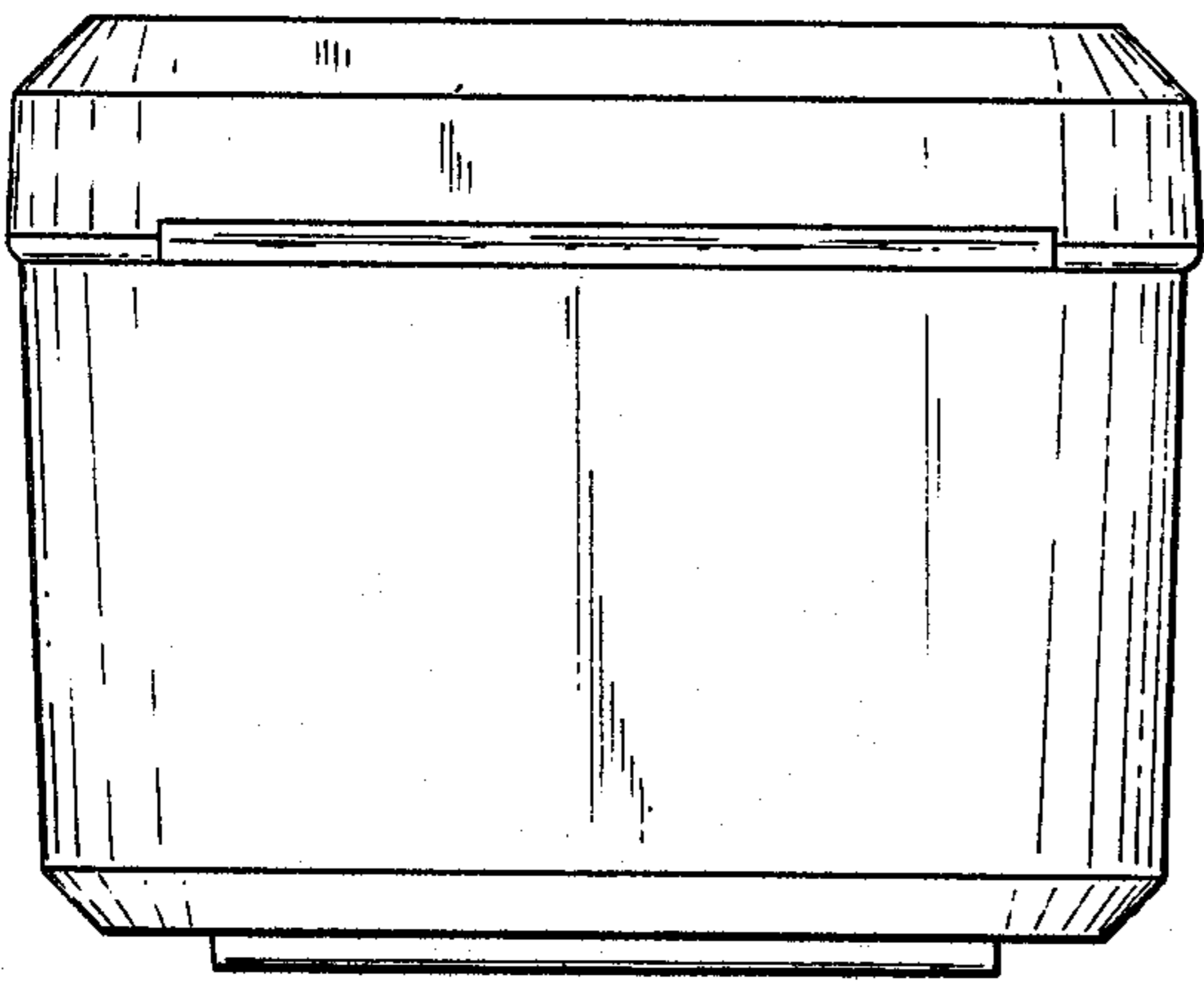


FIG. 6

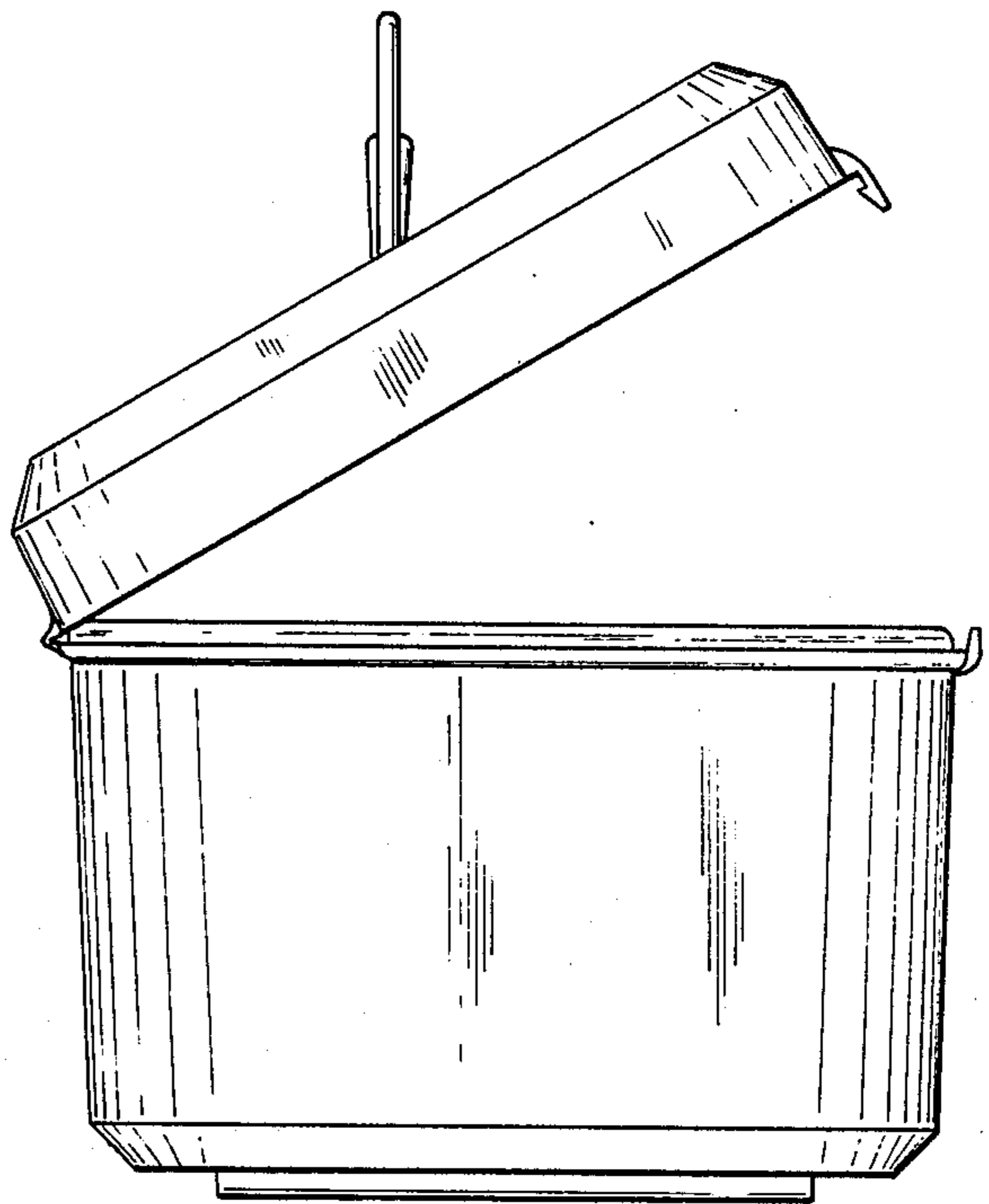


FIG. 7