

[54] **COMBINED KEY RING AND FRAME SUPPORT**

2,159,322 5/1939 Drummond 40/330 X
4,521,981 6/1985 Kasprzycki et al. 40/330 X

[76] **Inventor: Allan M. Hodge, 5852 Lomond Dr., San Diego, Calif. 92120**

FOREIGN PATENT DOCUMENTS

[**] **Term: 14 Years**

719821 2/1932 France 70/457
1123436 9/1956 France 40/2 A
1237265 6/1960 France 40/2 A
1375541 9/1964 France 70/459

[21] **Appl. No.: 743,576**

[22] **Filed: Jun. 11, 1985**

Primary Examiner—Carmen H. Vales
Attorney, Agent, or Firm—Poms, Smith, Lande & Rose

[52] **U.S. Cl. D3/62**

[58] **Field of Search D3/61, 62, 63, 64, 65;
70/456 R, 456 B, 457, 458, 459, 460; 40/2 A, 10
A, 330; D20/22, 27, 40**

[57] **CLAIM**

The ornamental design for a combined key ring and frame support, as shown and described.

[56] **References Cited**

U.S. PATENT DOCUMENTS

D. 287,864 1/1987 Perfect D20/22 X

DESCRIPTION

FIG. 1 is a front perspective view of a combined key ring and frame support showing my new design; and FIG. 2 is a rear perspective view thereof.

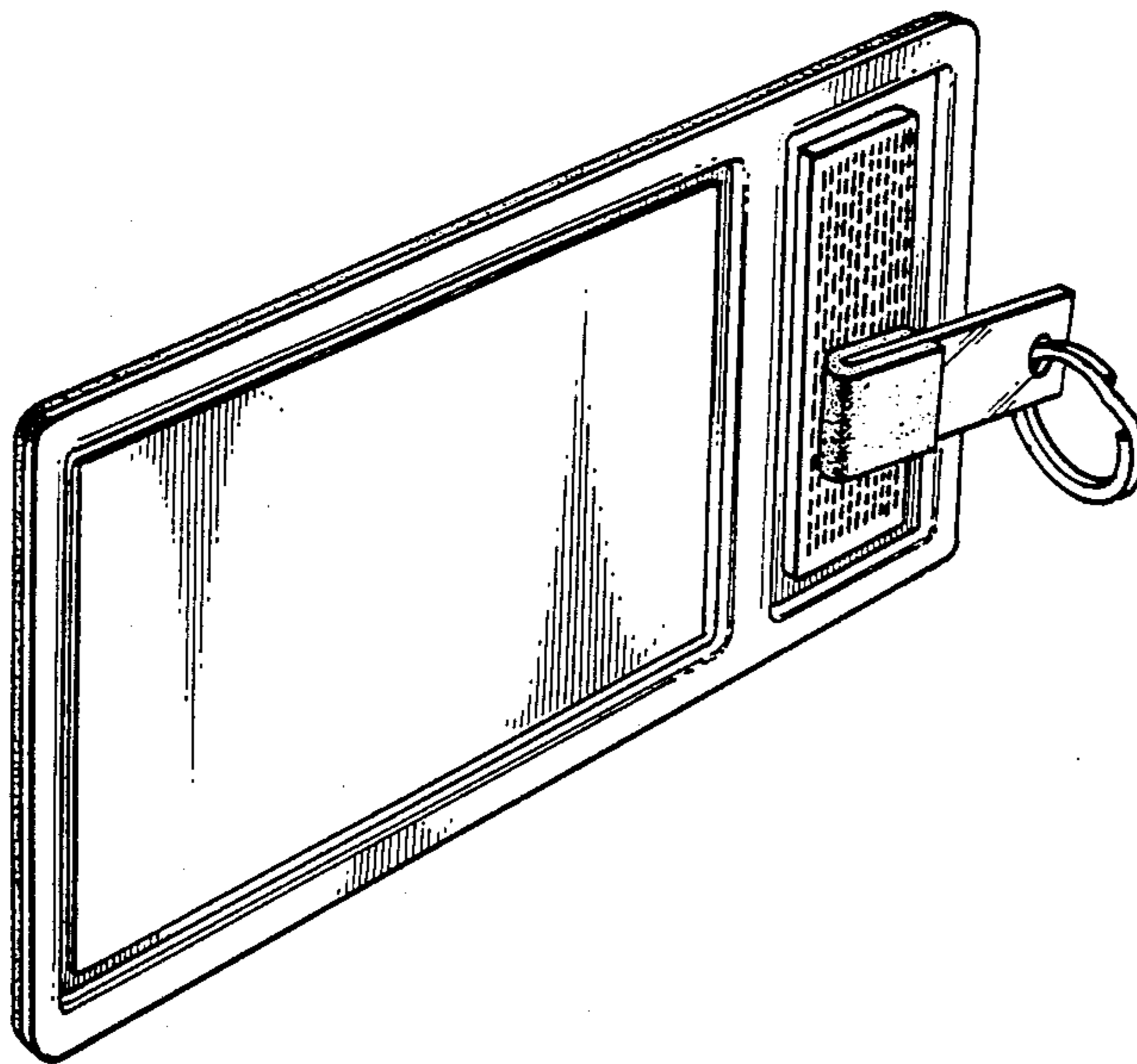


Fig. 1.

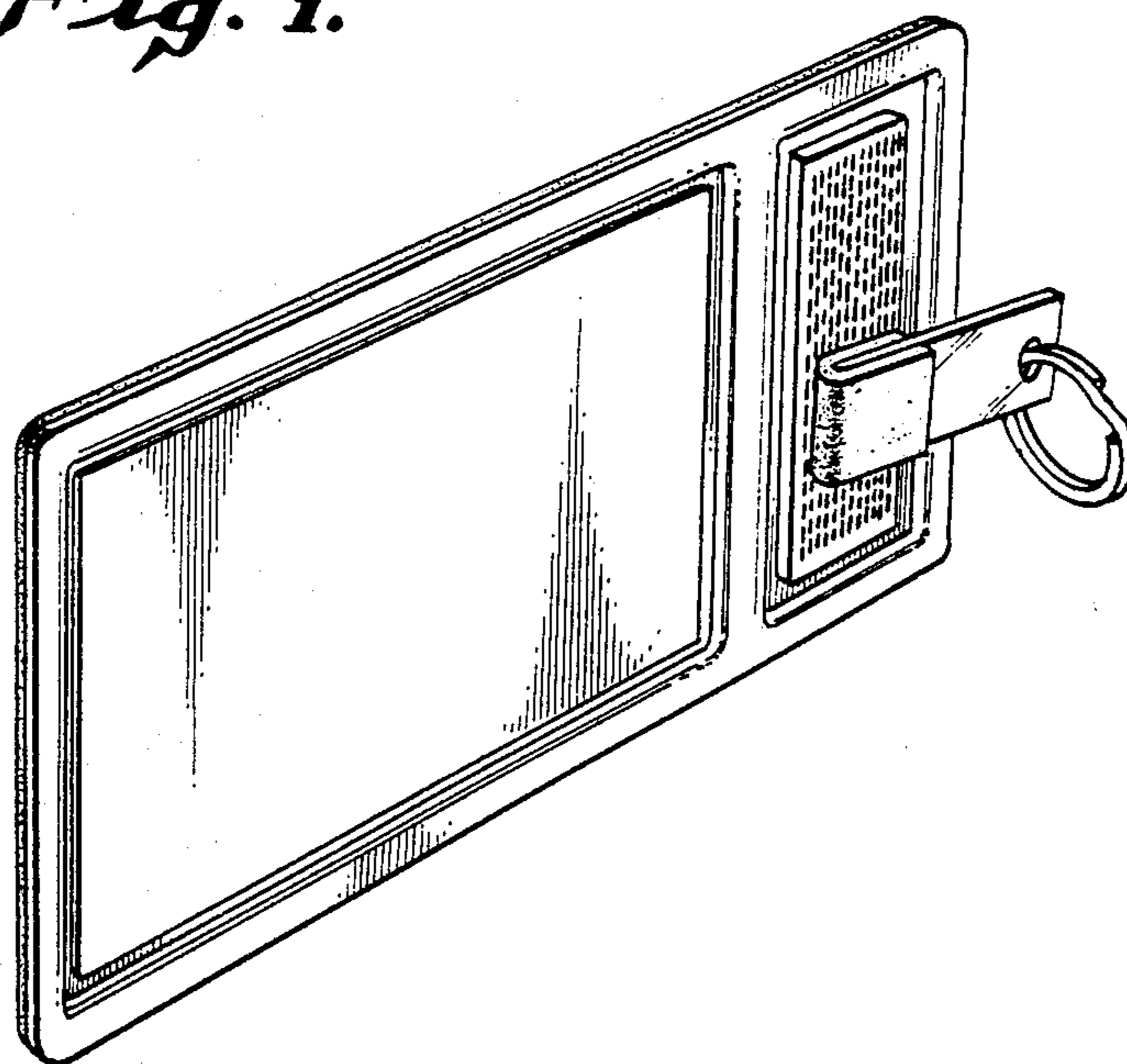


Fig. 2.

