

[54] BURIAL CASKET

[76] Inventor: Michael L. Beardsley, 93 Woodgate Rd., Chittenango, N.Y. 13037

[**] Term: 14 Years

[21] Appl. No.: 109,844

[22] Filed: Oct. 15, 1987

[52] U.S. Cl. D99/7; D99/16

[58] Field of Search D99/1-19; 27/1-10, 13-20, 35

1,828,352 10/1931 Barr D99/4 X
3,411,191 11/1968 Ikert et al. D99/7 X

Primary Examiner—Louis S. Zarfes
Attorney, Agent, or Firm—Charles S. McGuire

[57] CLAIM

The ornamental design for a burial casket, as shown and described.

DESCRIPTION

FIG. 1 is a perspective view of a burial casket showing my new design, with the upper part of the two-part cover in the open position and the lower part in the closed position;

FIG. 2 is a top plan view of the casket in closed position;

FIG. 3 is a side elevational view, the appearance being the same on both sides;

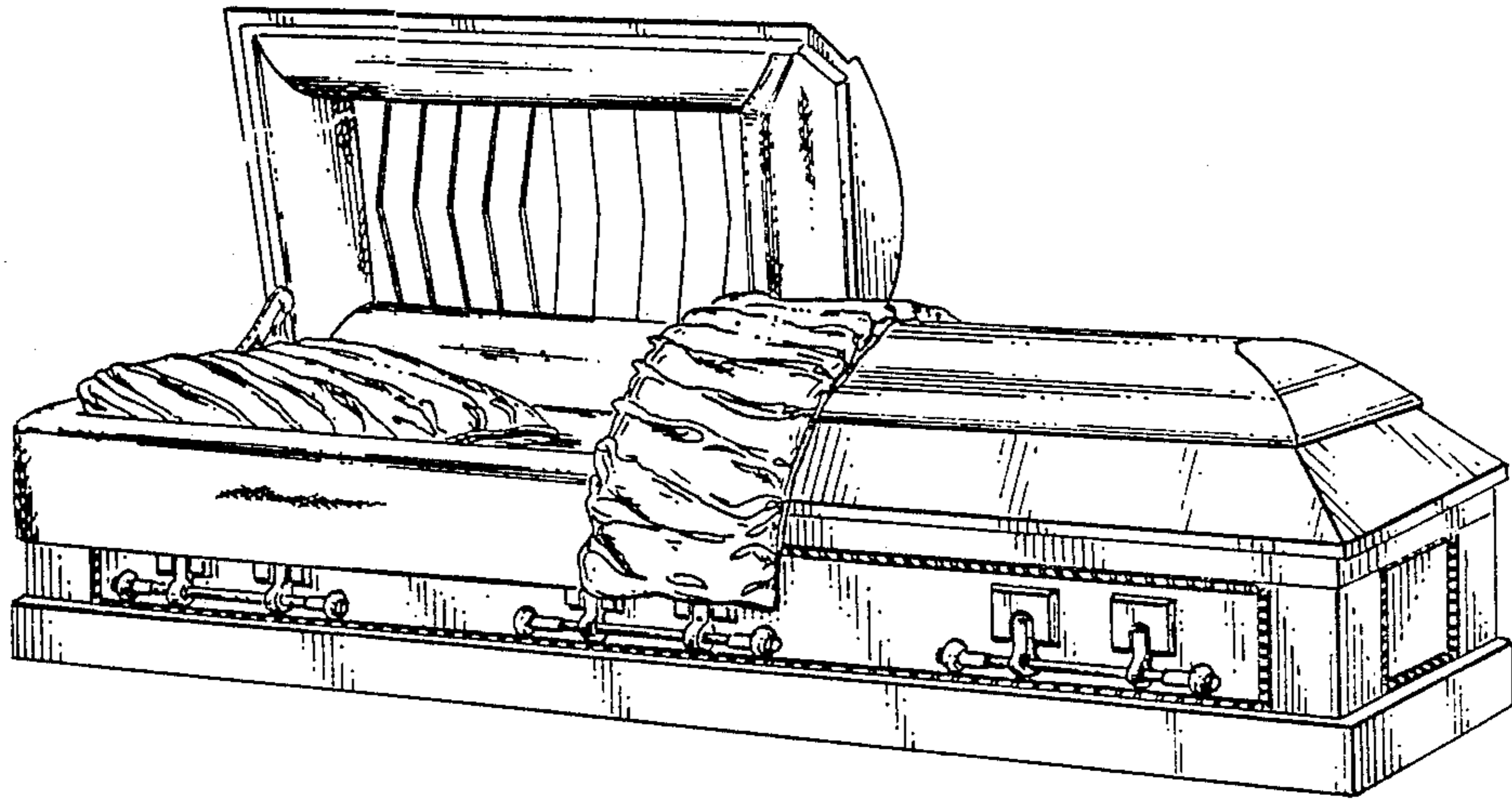
FIG. 4 is an end elevational view, the appearance being the same on both sides; and

FIG. 5 is an enlarged, fragmentary, perspective view showing a detail of the casket design.

[56] References Cited

U.S. PATENT DOCUMENTS

D. 13,287	9/1882	Sparks et al.	D99/2
D. 16,387	11/1885	Mowen	D99/8
D. 18,413	6/1888	Stein	D99/1
D. 37,935	4/1906	Schehr	D99/11
D. 193,479	8/1962	Beinert	D99/7
D. 276,283	11/1984	Beardsley	D99/7
Re. 25,545	3/1964	White	27/19



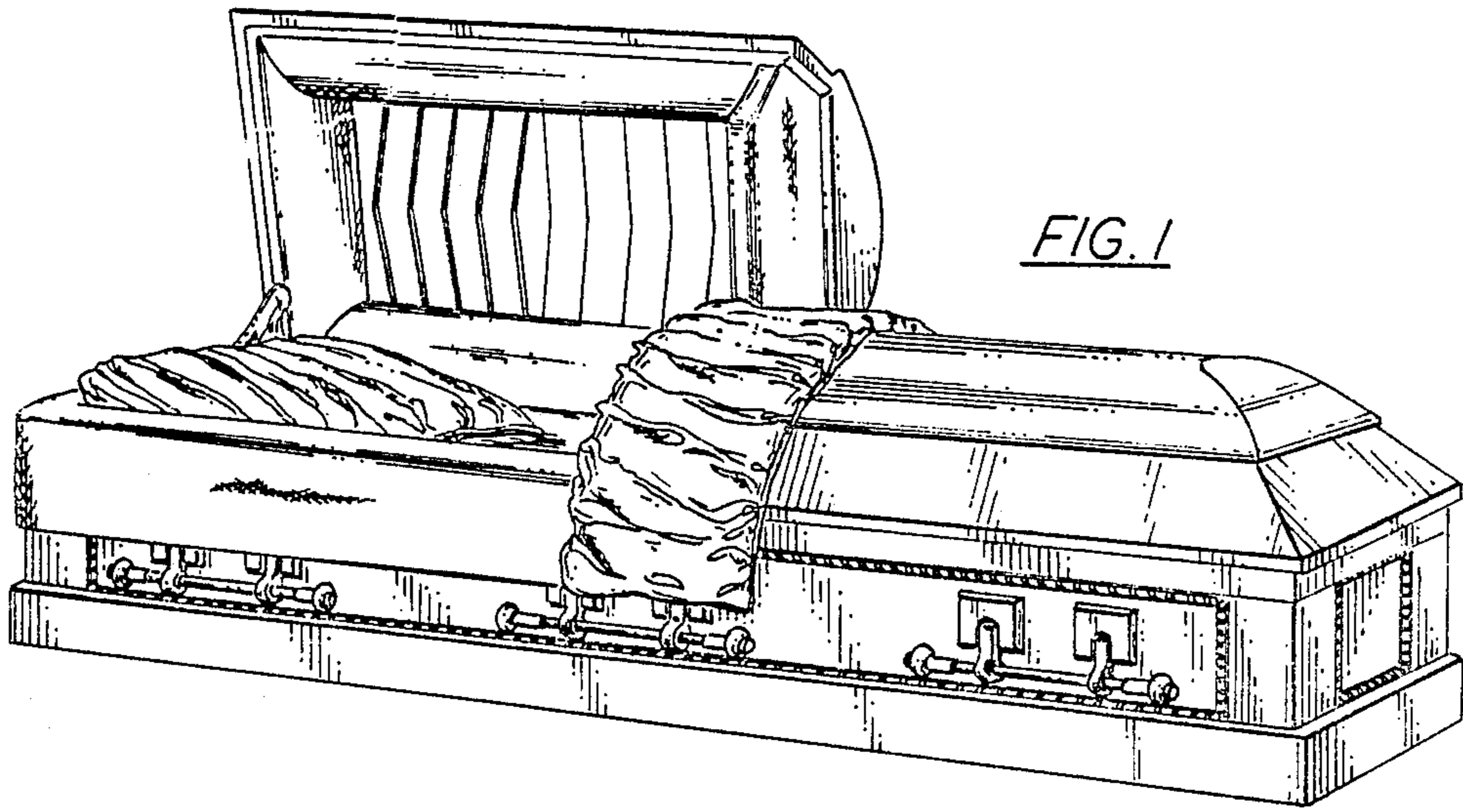


FIG. 1

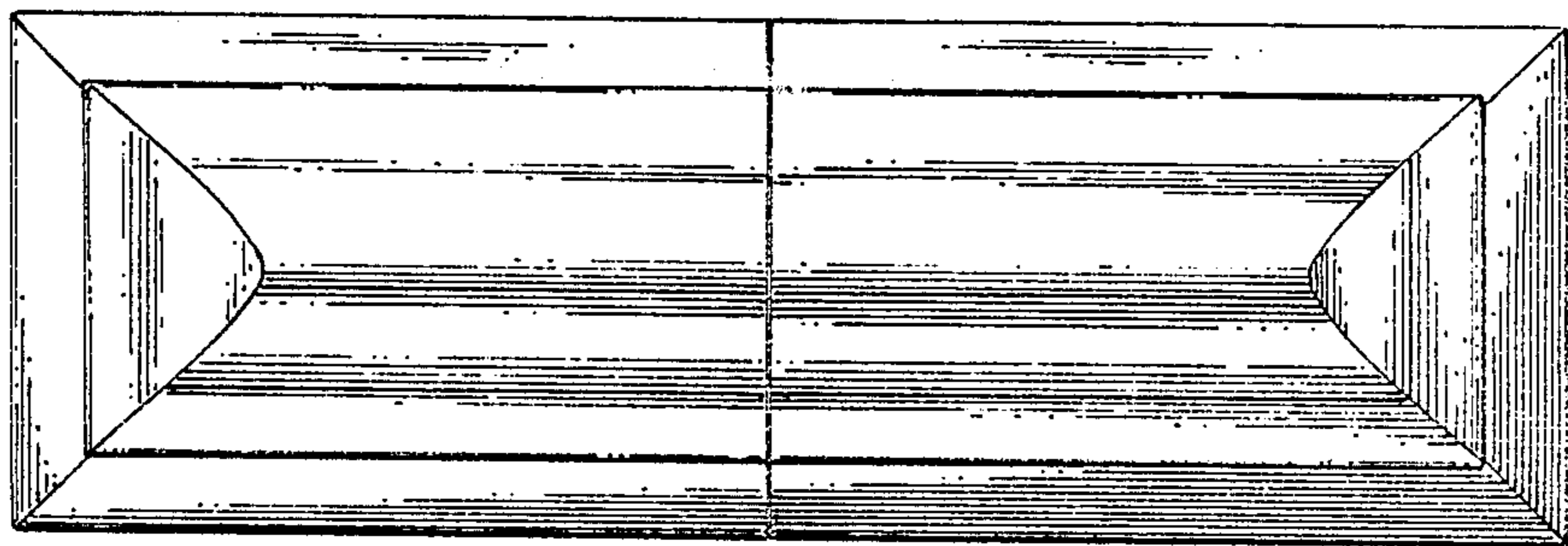


FIG. 3

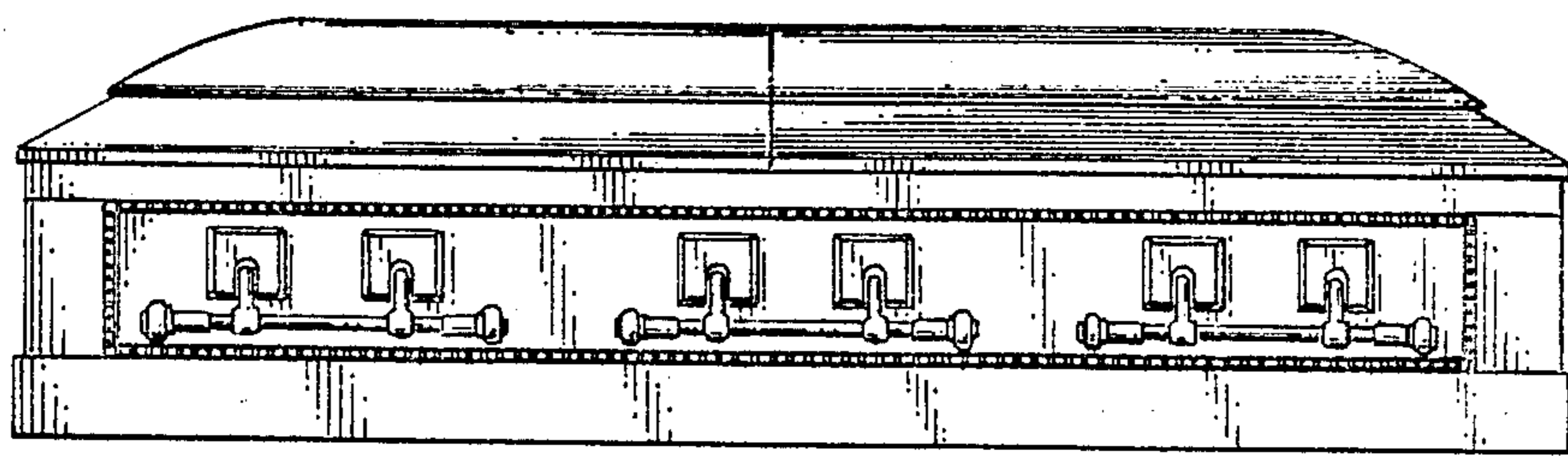


FIG. 2

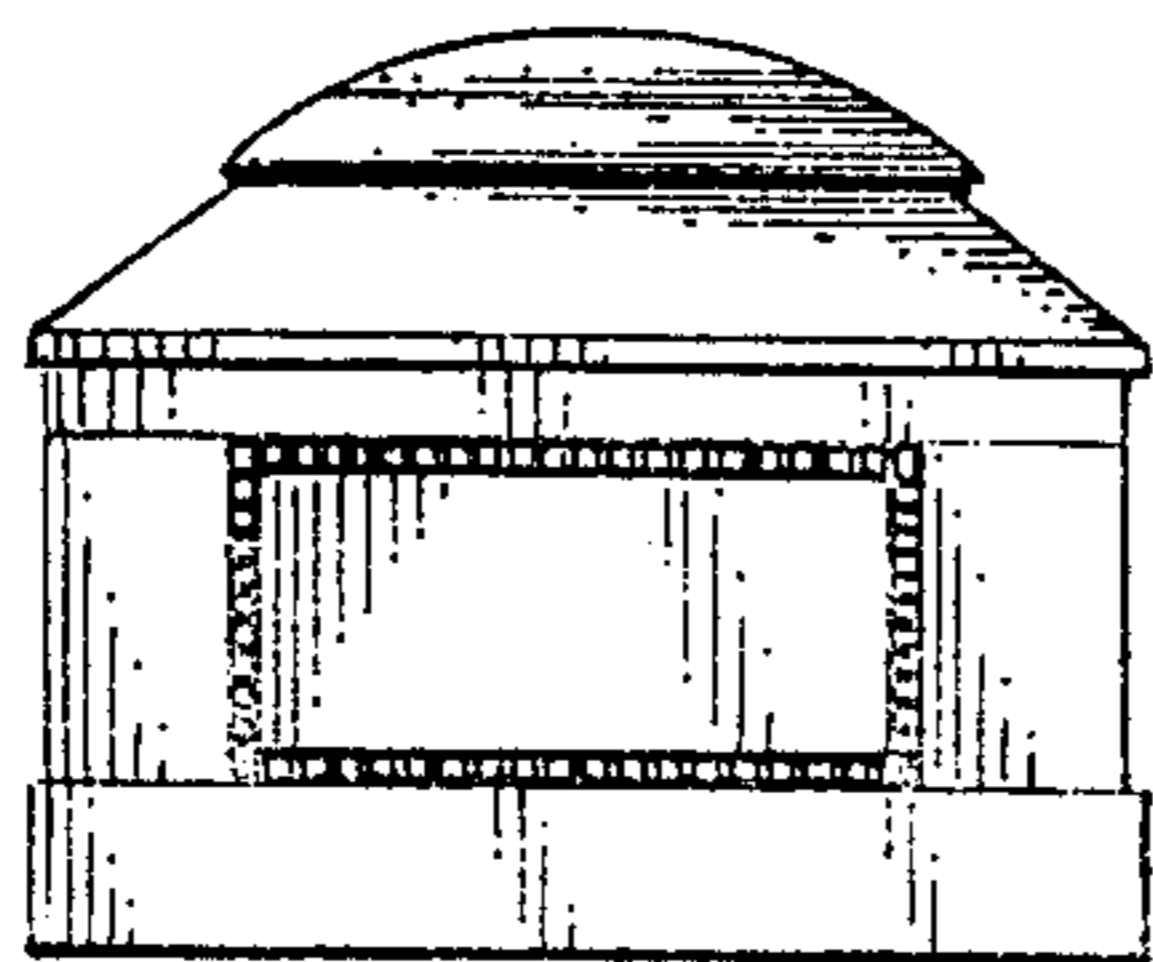


FIG. 4

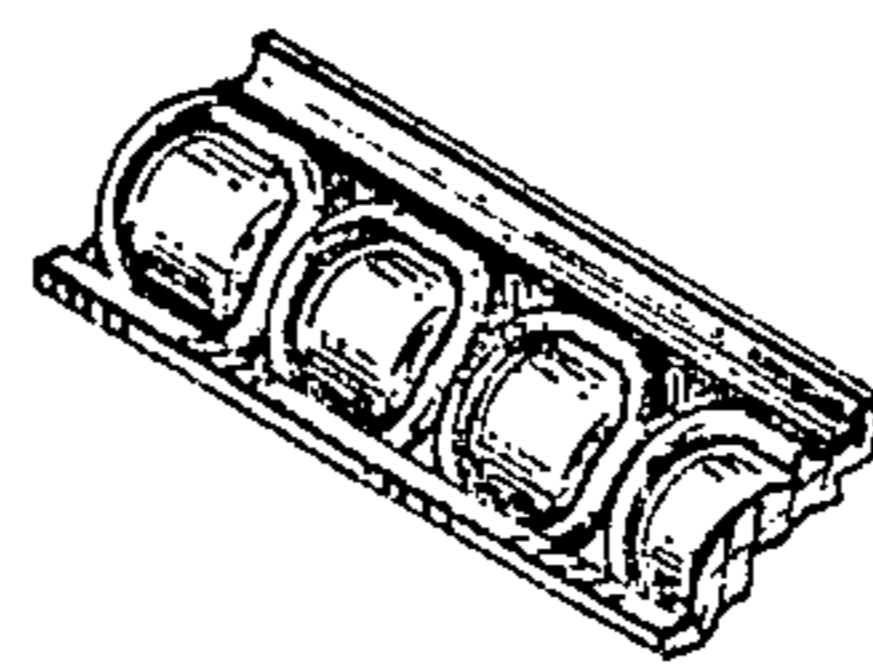


FIG. 5