

United States Patent [19]

Pope et al.

[11] Patent Number: **Des. 300,577**

[45] Date of Patent: **** Apr. 4, 1989**

[54] **MOTORIZED GOLF BAG CART**

[75] Inventors: **Timothy T. Pope, Spartanburg;
Edmund H. Machen; Edgar B.
Montague, both of Charlotte, N.C.**

[73] Assignee: **Kangaroo Golf Ltd., d/b/a, Kangaroo
Products Company, Columbus, N.C.**

[**] Term: **14 Years**

[21] Appl. No.: **91,429**

[22] Filed: **Aug. 31, 1987**

[52] U.S. Cl. **D34/15**

[58] Field of Search **D34/15, 12, 18;
280/DIG. 5, DIG. 6, 62, 646; 180/11, 19.3,
19.1, 19.2, 65.6**

D. 285,017	8/1986	Zentis et al.	D34/15
D. 292,039	9/1987	Moore	D34/15
3,561,555	2/1971	Carmichael	180/11
3,719,247	3/1973	Hollis	180/19.3
4,106,583	8/1978	Nemeth	180/65.6
4,657,100	4/1987	Lewis	180/19.1

OTHER PUBLICATIONS

Golf Digest, Oct. 1986, p. 73, Powa Kaddy.

Primary Examiner—Wallace R. Burke

Assistant Examiner—Kay H. Chin

Attorney, Agent, or Firm—Bell, Seltzer, Park & Gibson

[57] **CLAIM**

The ornamental design for a motorized golf cart, as shown and described.

DESCRIPTION

FIG. 1 is a front perspective view for a motorized golf bag cart showing our design;

FIG. 2 is a side elevational view thereof, the opposite side elevational view being a mirror image of that shown;

FIG. 3 is a top plan view thereof;

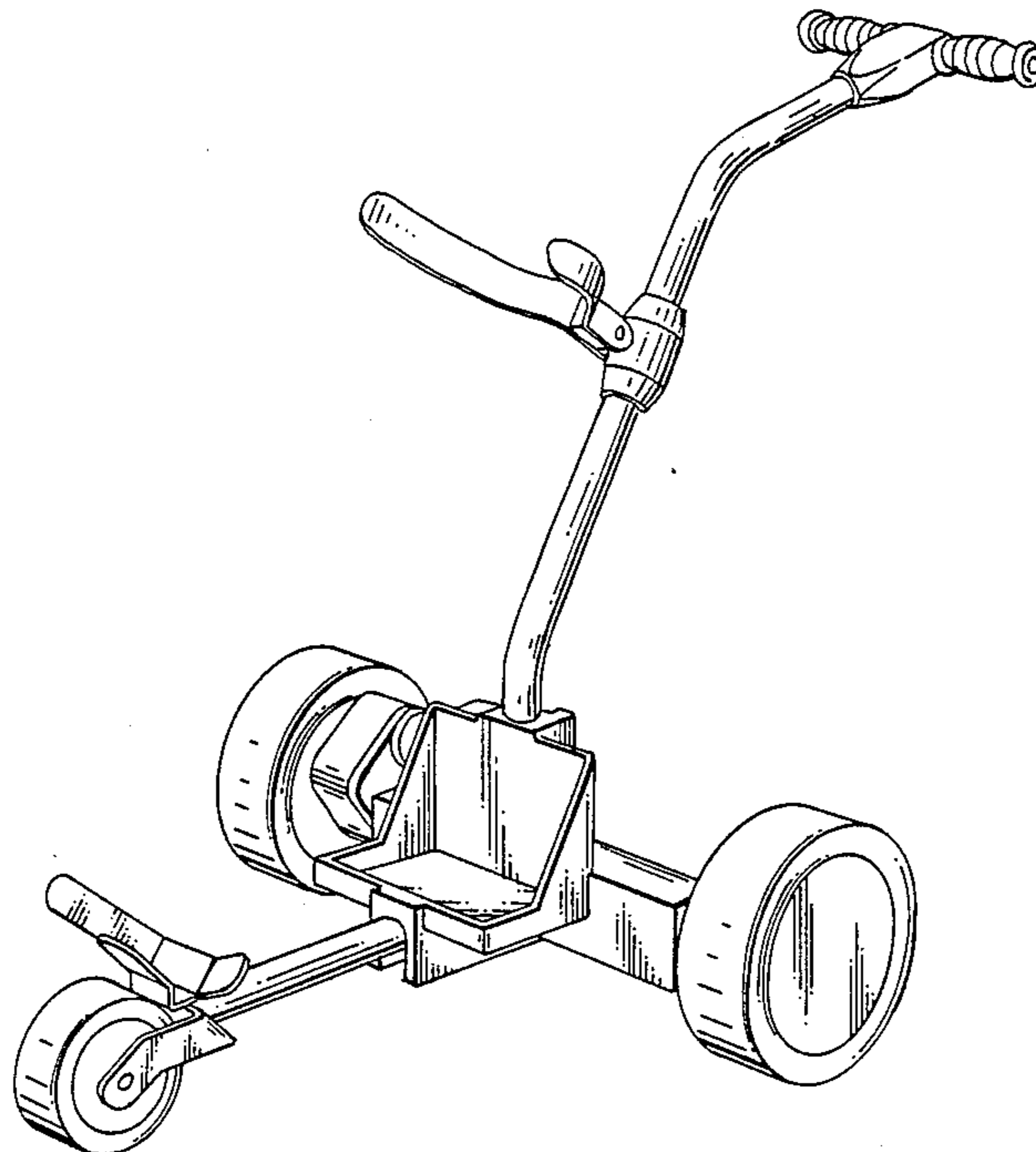
FIG. 4 is a rear elevational view thereof; and

FIG. 5 is a front elevational view thereof.

[56] **References Cited**

U.S. PATENT DOCUMENTS

D. 217,715	6/1970	Tuson	D34/15
D. 219,509	12/1970	Maltarp	D34/15
D. 246,966	1/1978	Nemeth	D34/15
D. 265,263	6/1982	Fox	D34/15
D. 270,772	9/1983	Radencic	D34/15
D. 280,943	10/1985	Catford	D34/15



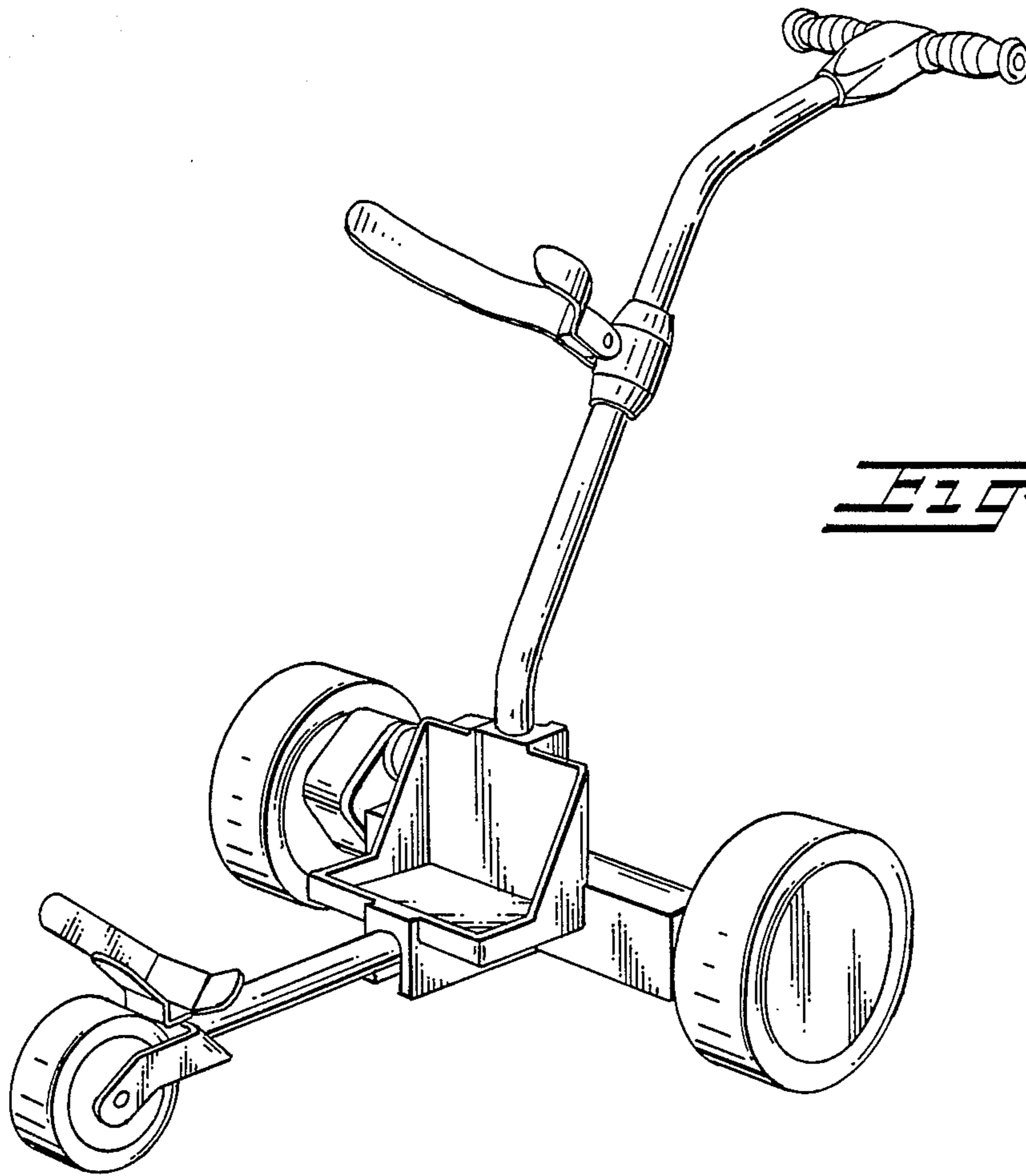


FIG-1

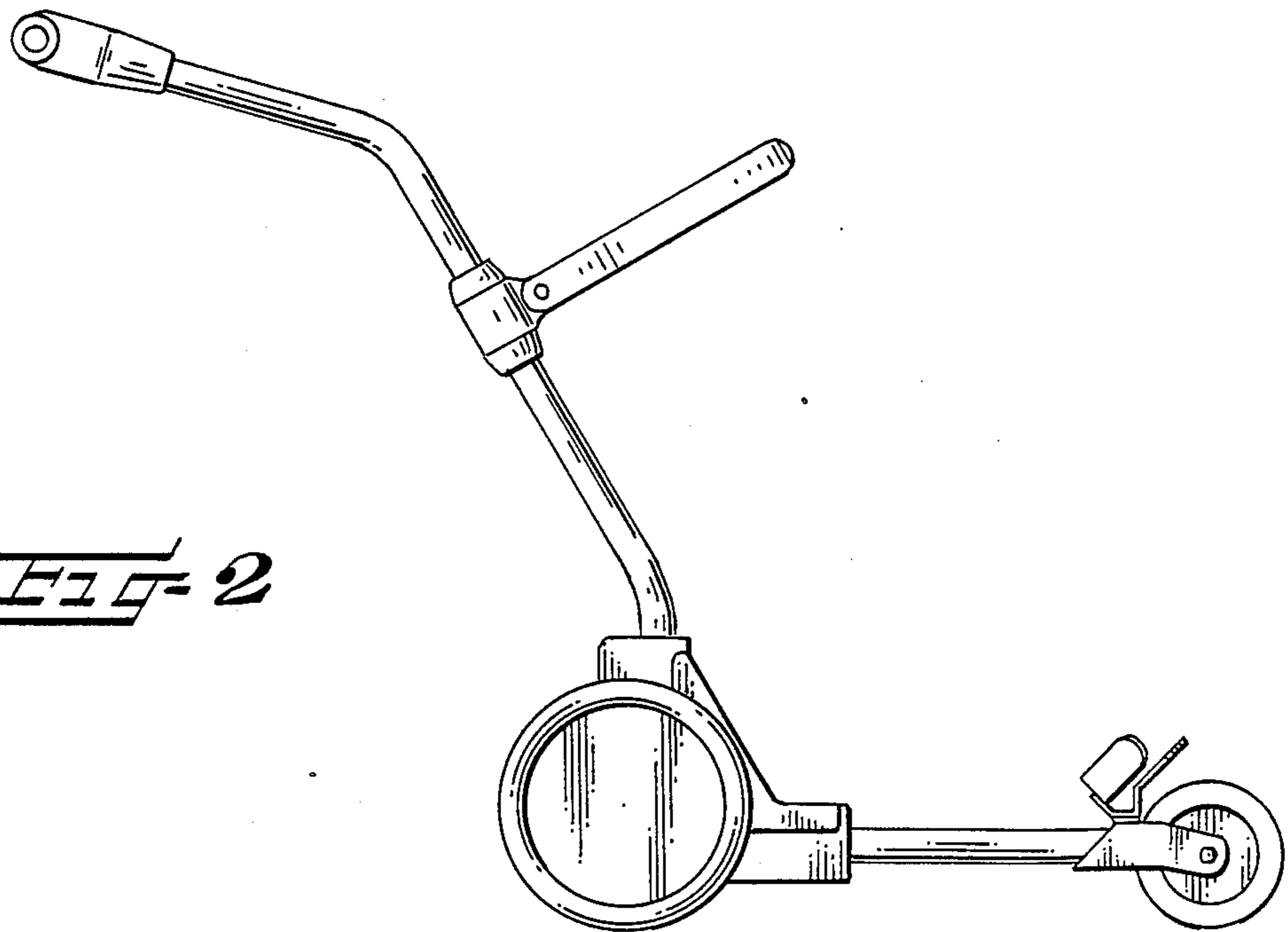


FIG-2

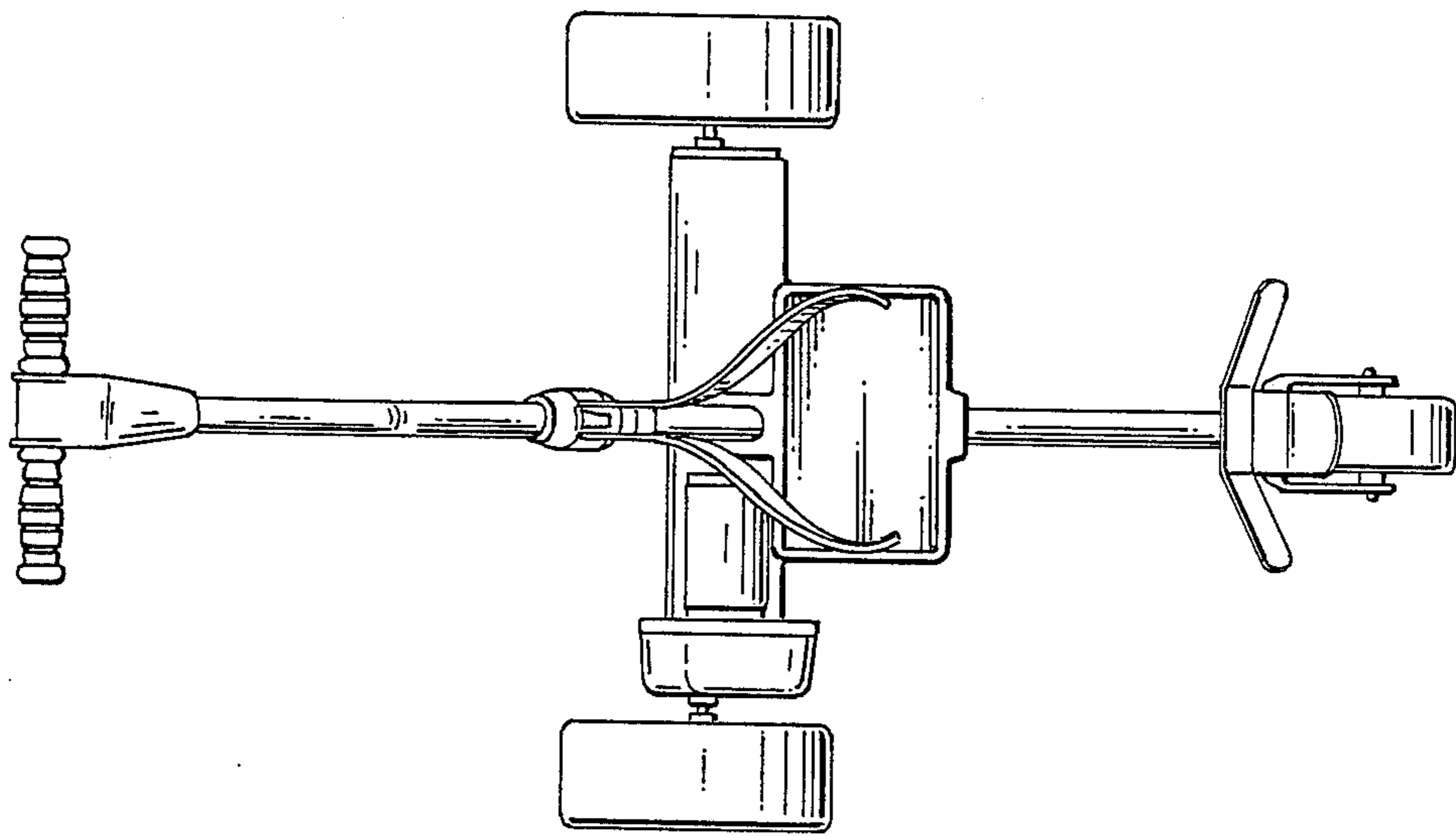


Fig-3

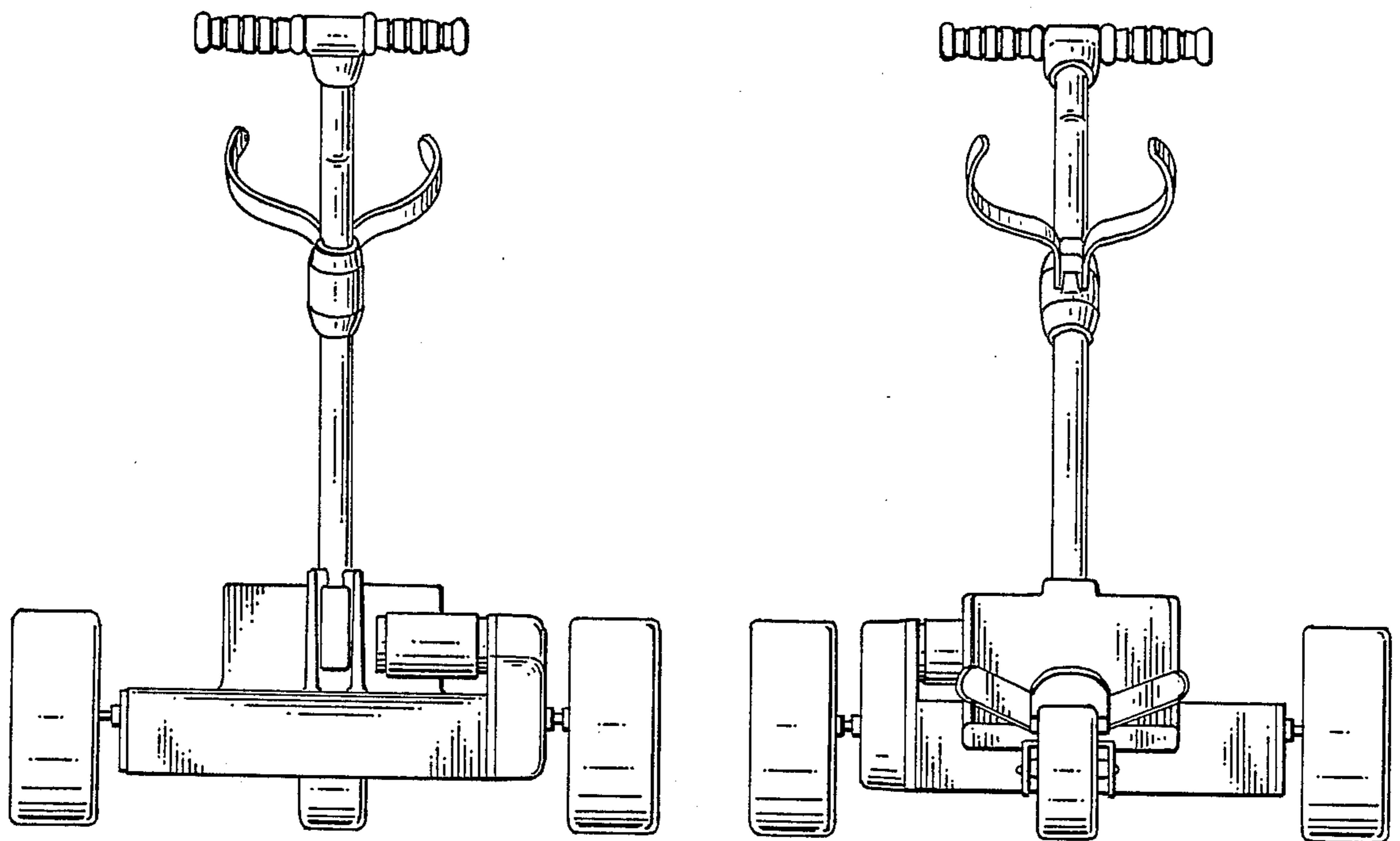


Fig-4

Fig-5

UNITED STATES PATENT AND TRADEMARK OFFICE
CERTIFICATE OF CORRECTION

PATENT NO. : Des. 300,577
DATED : April 4, 1989
INVENTOR(S) : Timothy R. Pope, Edmund H. Machen, Edgar B. Montague

It is certified that error appears in the above-identified patent and that said Letters Patent is hereby corrected as shown below:

In the listing of inventors, "Timothy T. Pope" should be
-- Timothy R. Pope --.

In the claim, after "golf" insert -- bag --.

In the description, in Figure 1 (line 1), "for" should be -- of --.

**Signed and Sealed this
Twenty-first Day of November, 1989**

Attest:

JEFFREY M. SAMUELS

Attesting Officer

Acting Commissioner of Patents and Trademarks