

United States Patent [19]

Faggard et al.

[11] Patent Number: **Des. 300,573**

[45] Date of Patent: **** Apr. 4, 1989**

[54] DISHWASHER

[75] Inventors: **Joseph Faggard, Laguna Hills, Calif.;**
Brian Hawker, Kent, England

[73] Assignee: **AC Industries, Ltd, Lake Forest, Calif.**

[**] Term: **14 Years**

[21] Appl. No.: **778,876**

[22] Filed: **Sep. 23, 1985**

[52] U.S. Cl. **D32/2**

[58] Field of Search **D32/1-3;**
134/56 D, 57 D, 58 D, 93, 138, 141; 211/41,
163, 165

[56] **References Cited**

U.S. PATENT DOCUMENTS

D. 186,241 9/1959 Otto **D32/2**

D. 272,953 3/1984 Taylor **D32/2**
3,203,436 8/1965 Wallgren et al. **134/93**
4,368,747 1/1983 Taylor **134/200**
4,444,213 4/1984 Taylor **134/138**

Primary Examiner—Wallace R. Burke
Assistant Examiner—Ruth Takemoto
Attorney, Agent, or Firm—James E. Brunton

[57] CLAIM

The ornamental design for dishwasher, substantially as shown.

DESCRIPTION

FIG. 1 is a front elevational view of a dishwasher showing our new design;

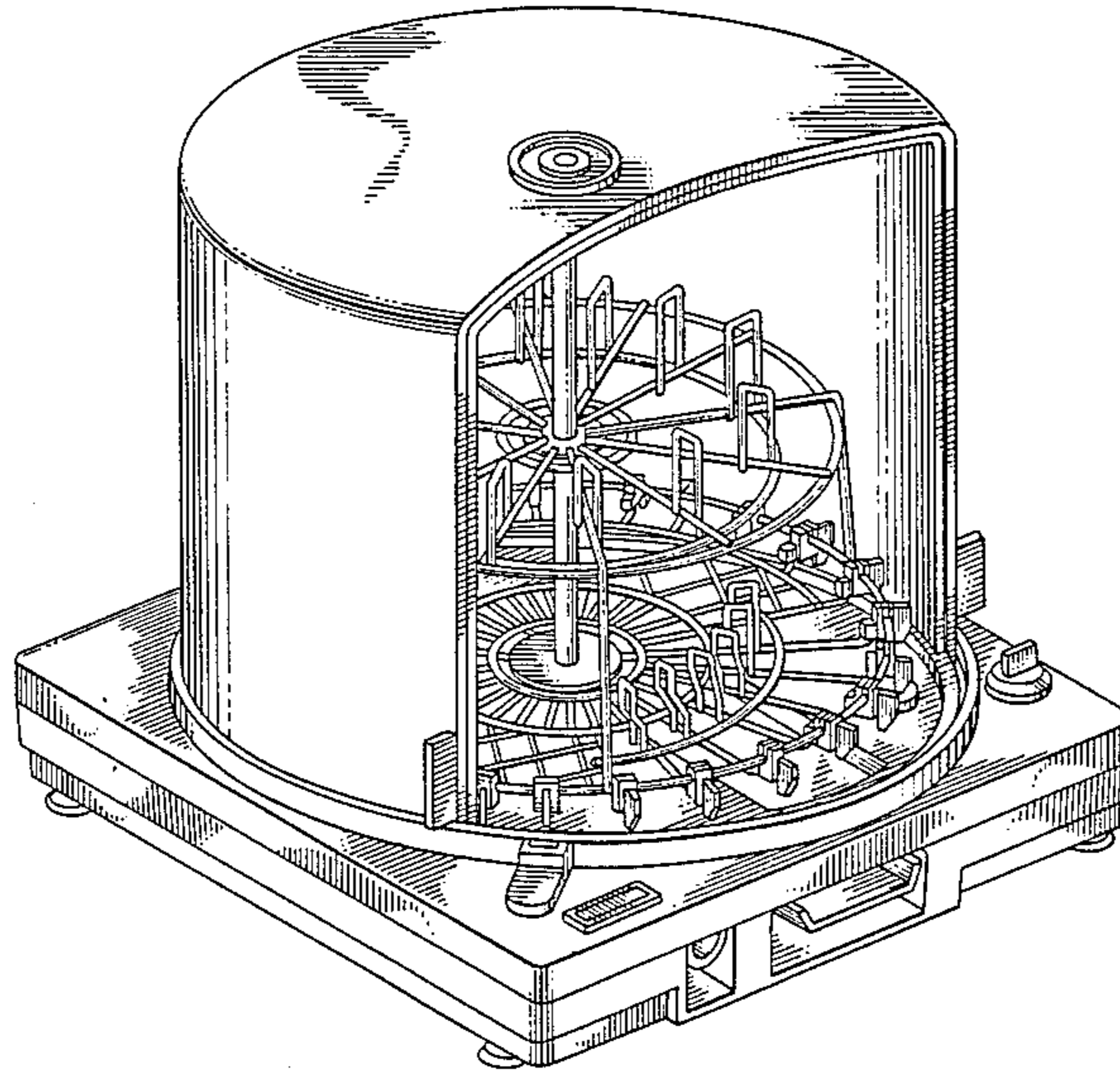
FIG. 2 is a top plan view thereof;

FIG. 3 is a right side elevational view thereof;

FIG. 4 is a left side elevational view thereof;

FIG. 5 is a rear elevational view thereof; and

FIG. 6 is a bottom plan view thereof.



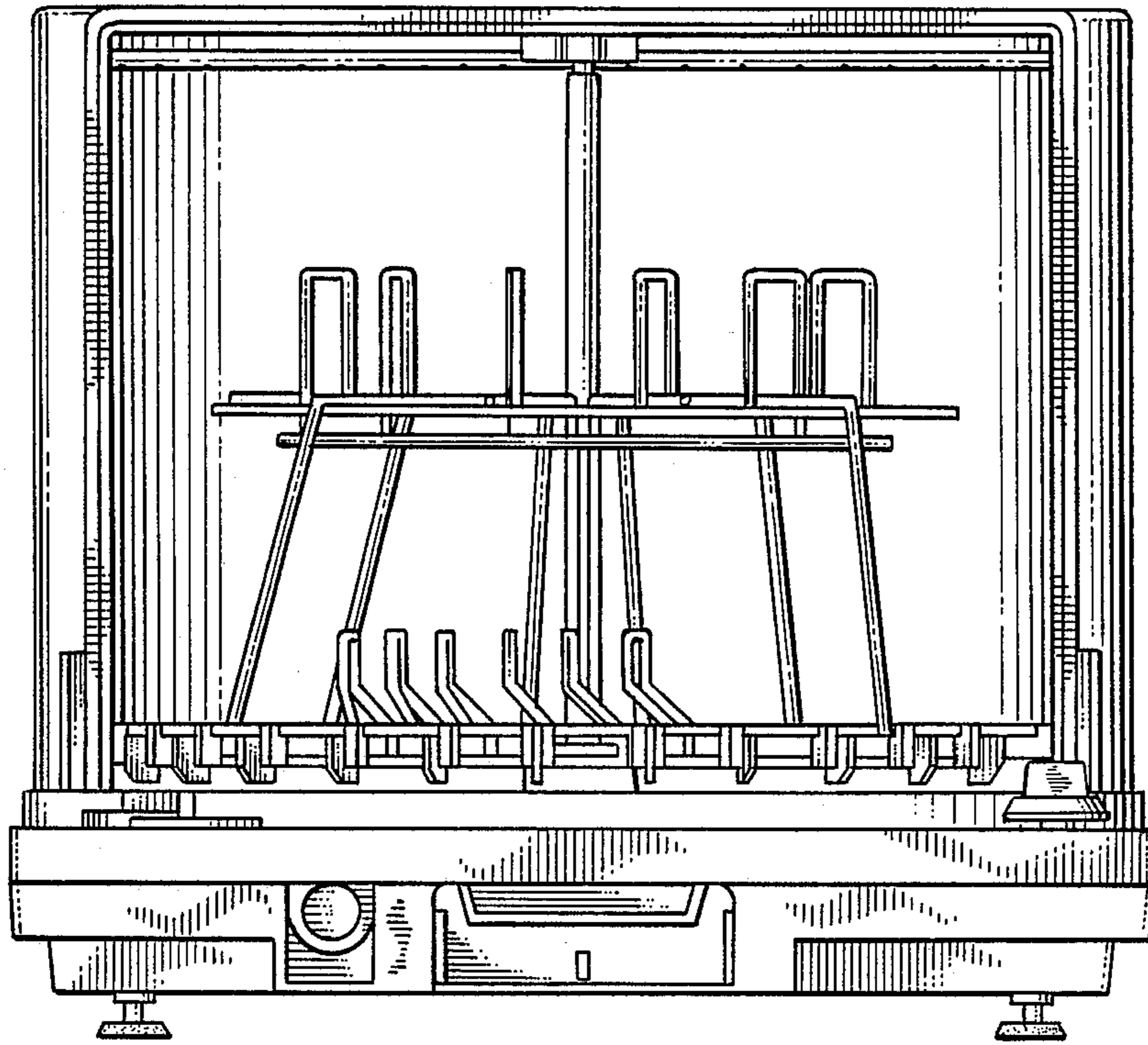


FIG. 1

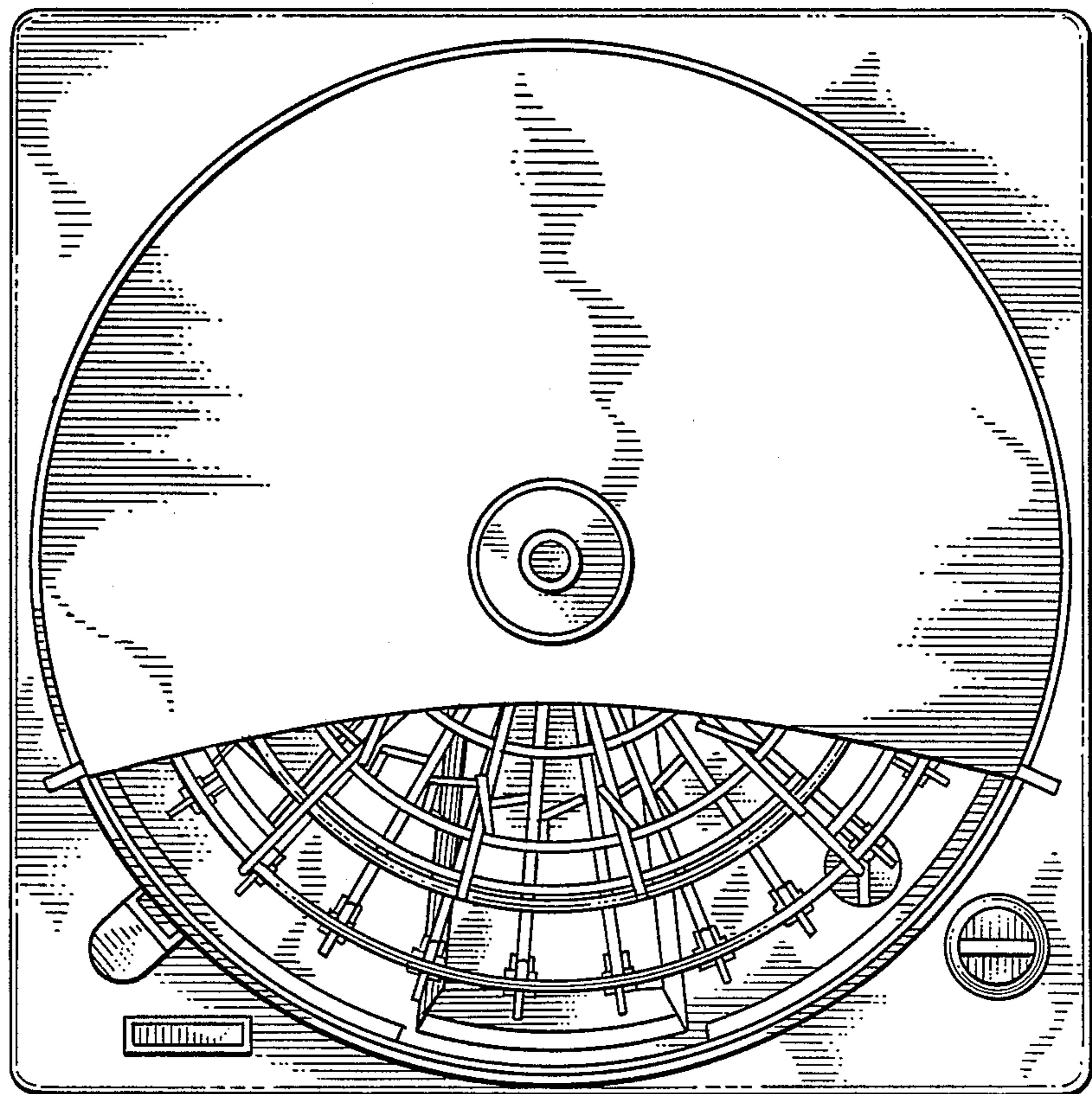


FIG. 2

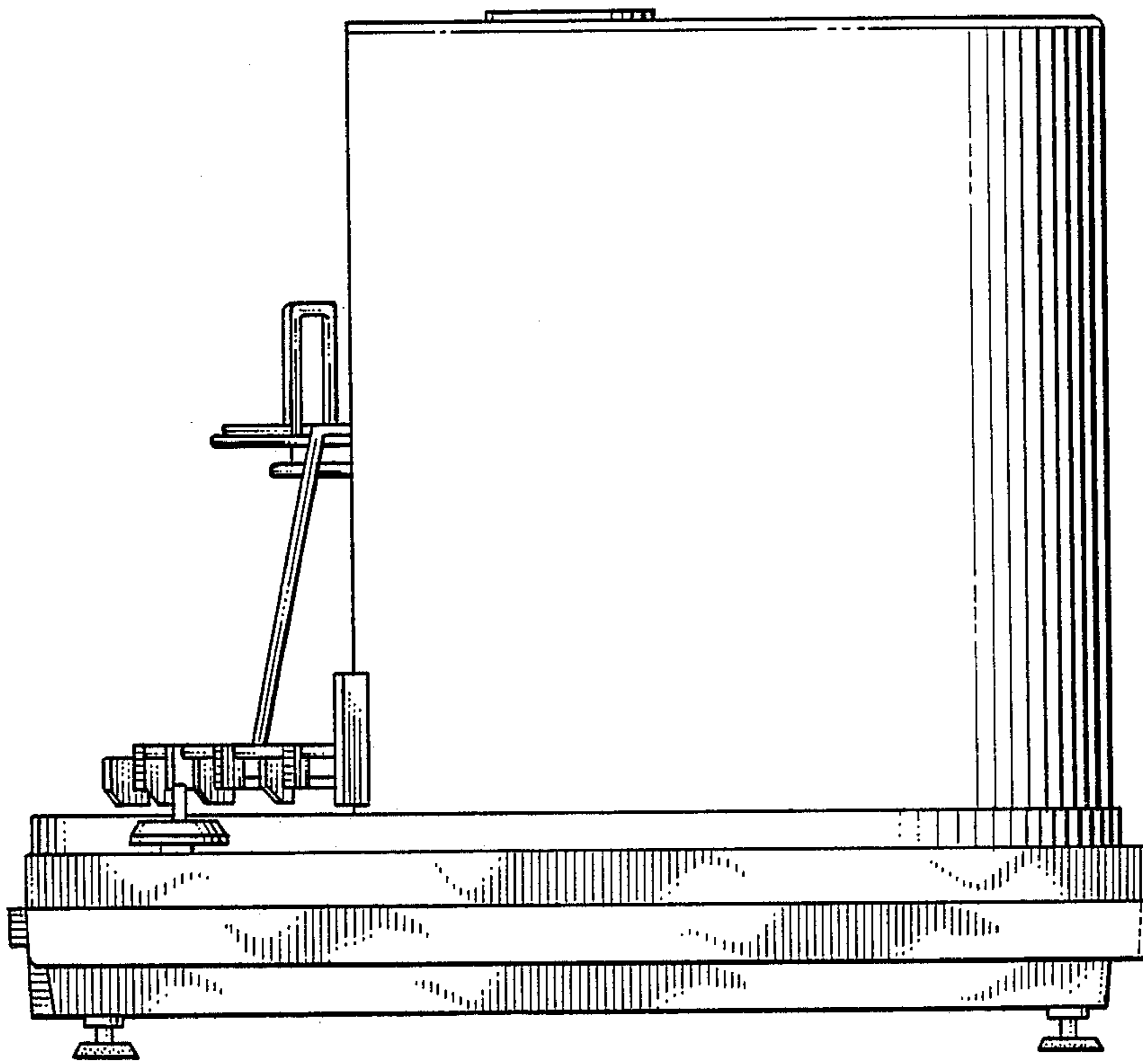
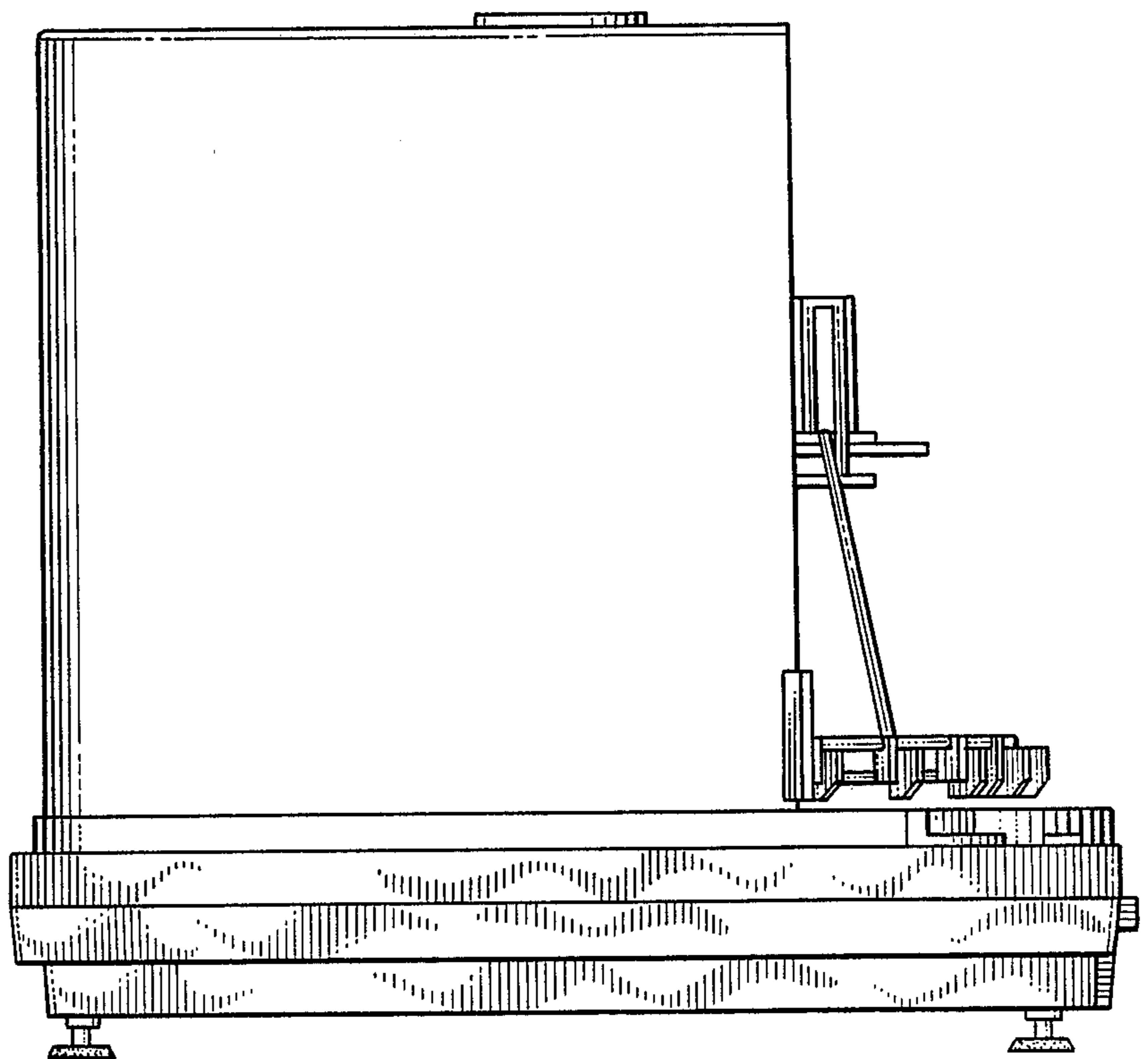


FIG. 3

FIG. 4



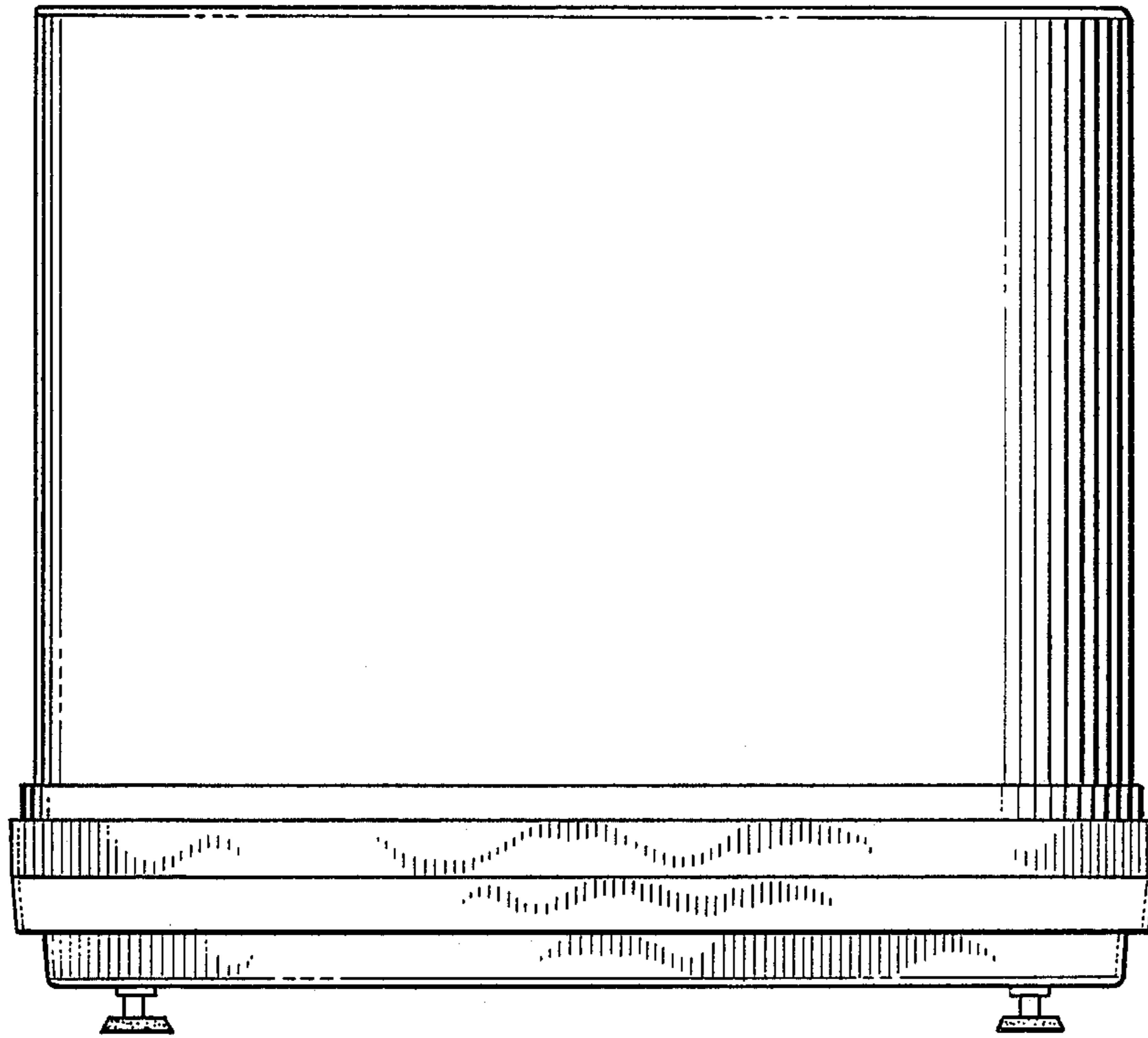


FIG. 5

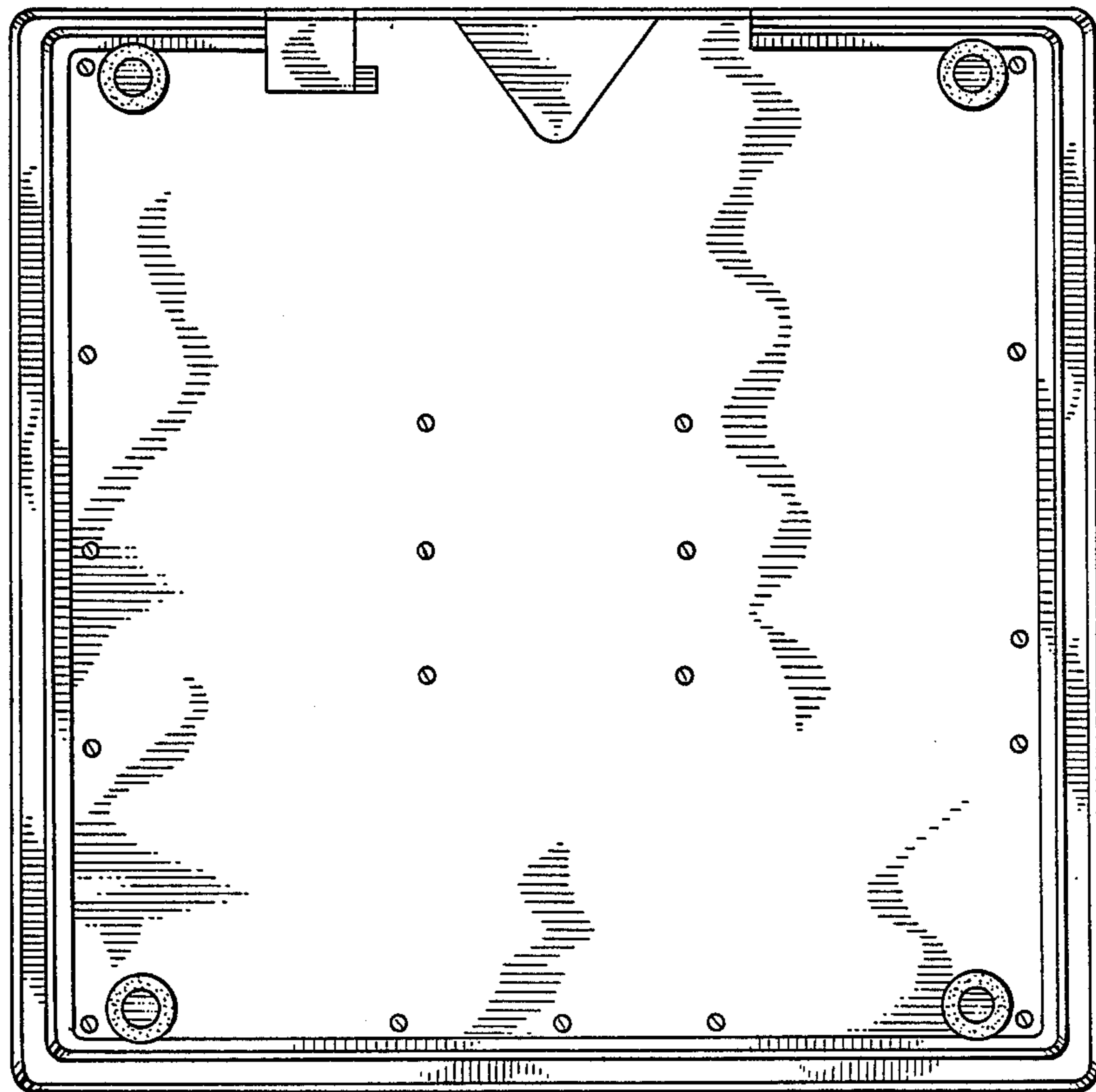


FIG. 6

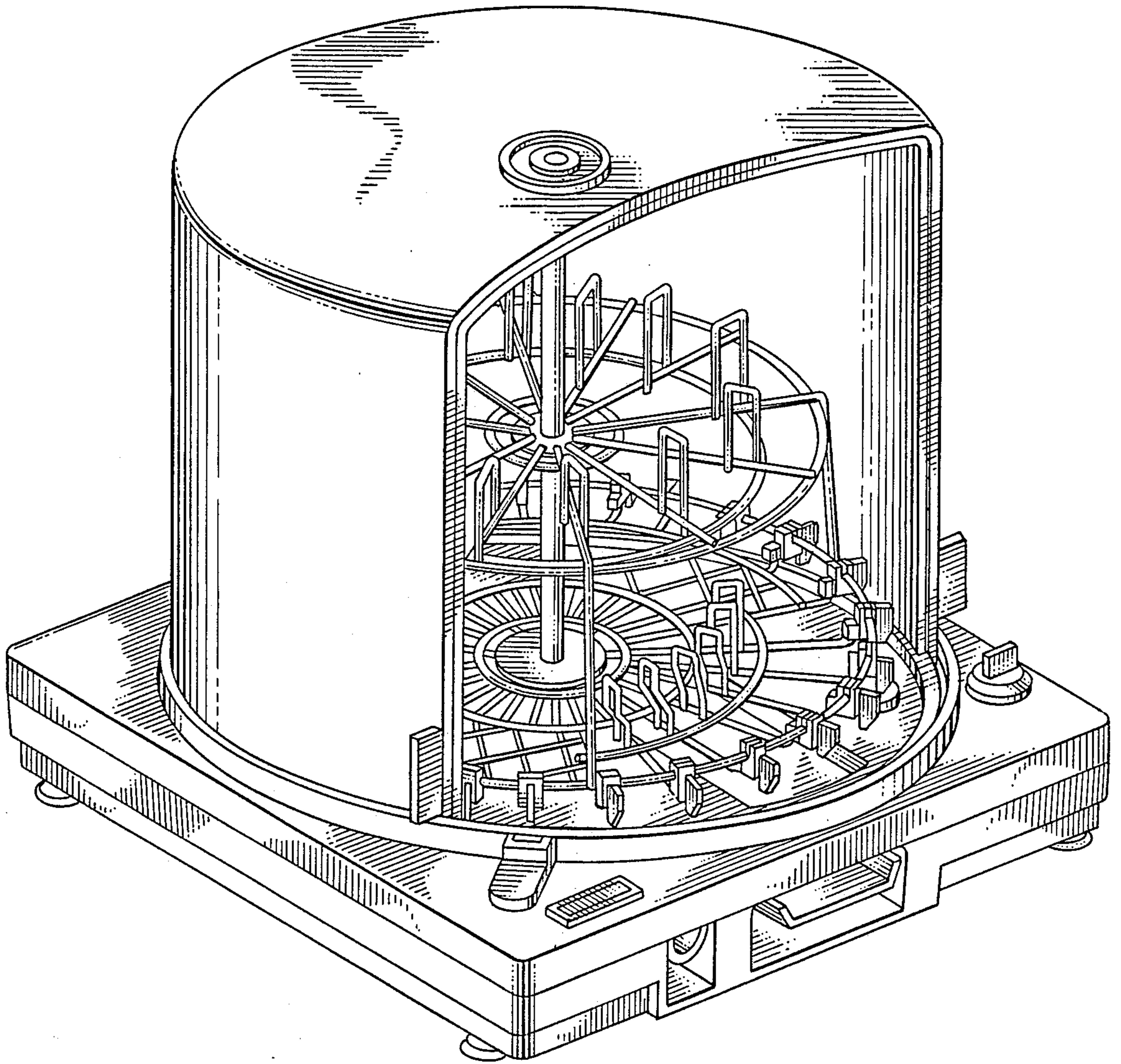


FIG. 7