

[54] **FLOODLIGHT**
[75] **Inventor: Giovanni DeCandia, Germantown, Tenn.**
[73] **Assignee: FL Industries, Inc., Livingston, N.J.**
[**] **Term: 14 Years**
[21] **Appl. No.: 845,022**
[22] **Filed: Mar. 14, 1986**
[52] **U.S. Cl. D26/63**
[58] **Field of Search D26/60-66;**
362/269, 275, 287, 375, 418, 427, 362, 147

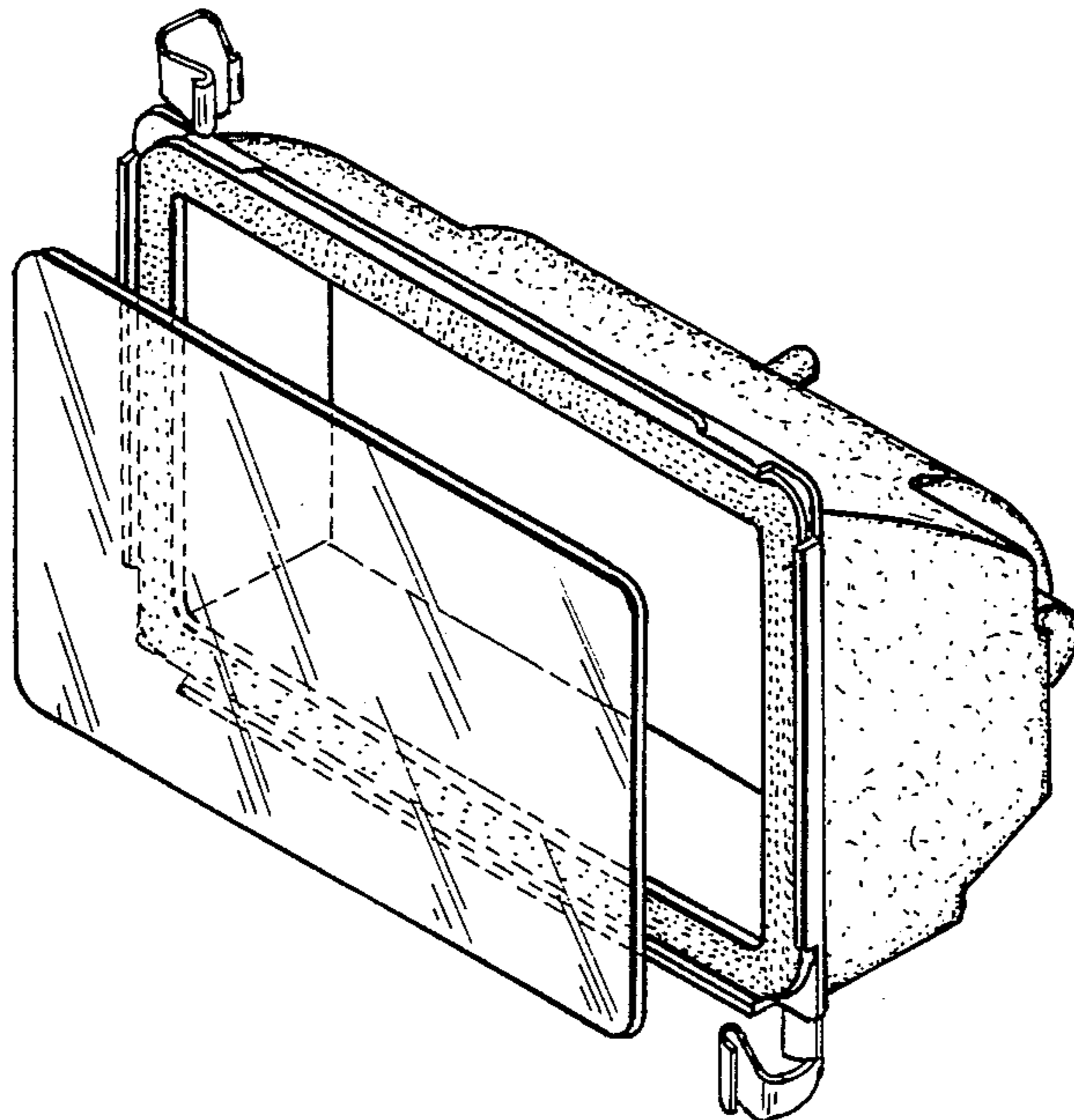
[56] **References Cited**
U.S. PATENT DOCUMENTS
4,410,931 10/1983 DeCandia et al. 362/375 X
4,587,602 5/1986 Dean et al. 362/269 X

OTHER PUBLICATIONS
Lighting, 6-1963, p. 8, Quartz Iodine Floodlight (left).

Primary Examiner—Susan J. Lucas
Attorney, Agent, or Firm—Elliot M. Olstein; Raymond J. Lillie

[57] **CLAIM**
The ornamental design for a floodlight, as shown and described.

DESCRIPTION
FIG. 1 is a top, front perspective view of a floodlight showing my new design, the clips being opened and the front lens separated from the housing;
FIG. 2 is a top plan view thereof, the lens and housing being assembled;
FIG. 3 is a front elevational view thereof;
FIG. 4 is a bottom plan view thereof;
FIG. 5 is a left side elevational view thereof;
FIG. 6 is a rear elevational view thereof; and
FIG. 7 is a right side elevational view thereof.
The broken lines are shown for illustrative purposes only.



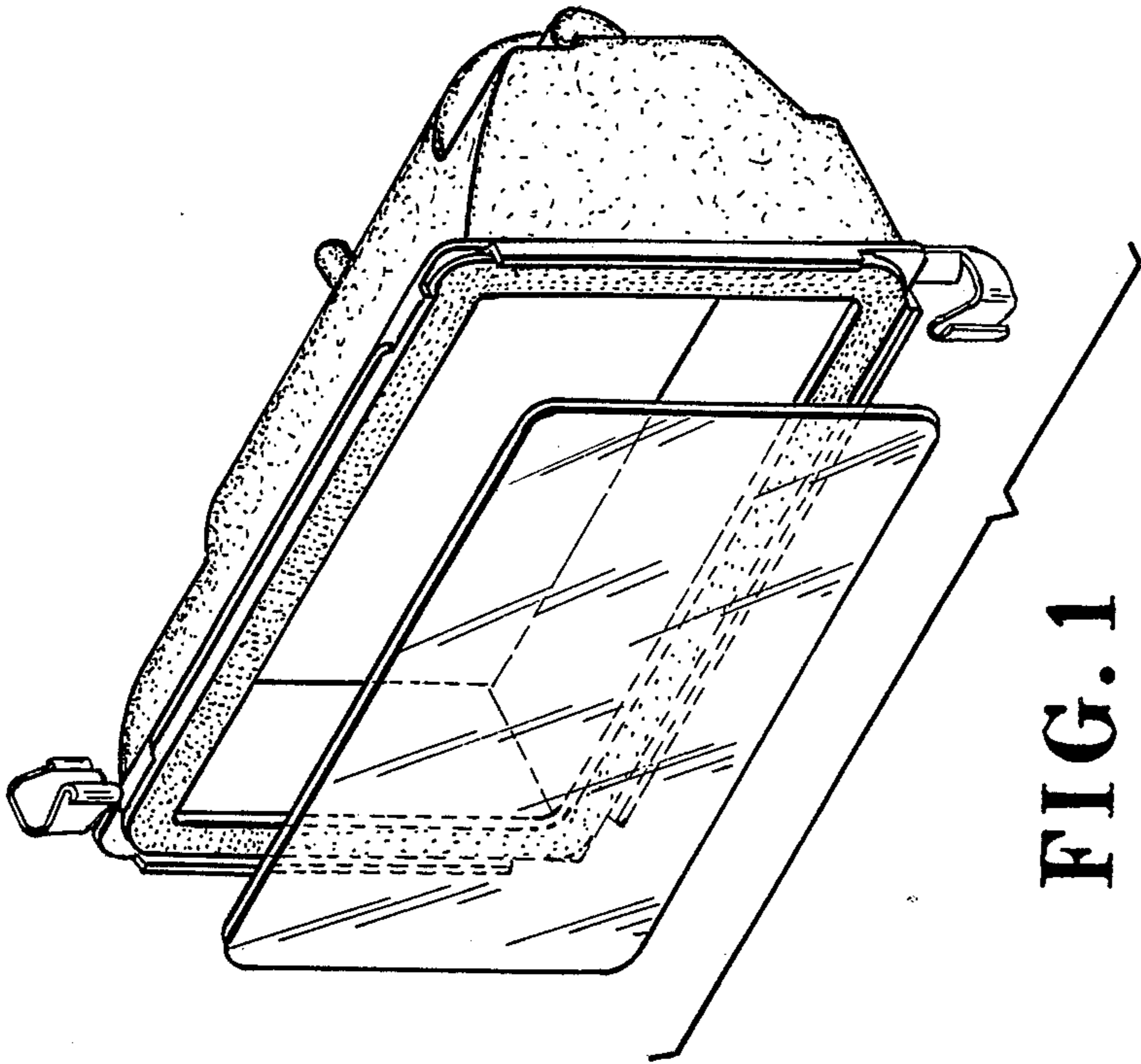


FIG. 2

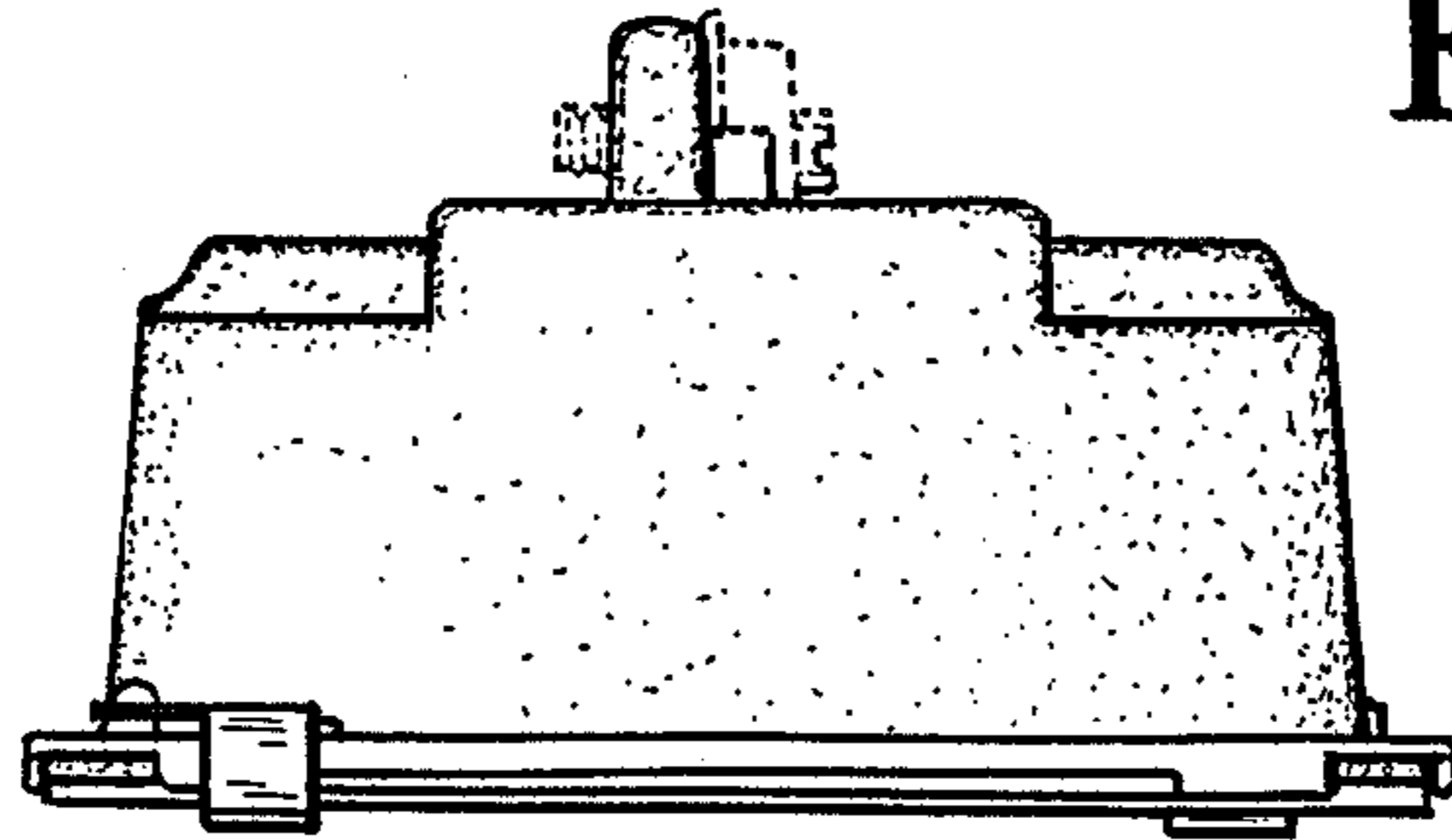


FIG. 3

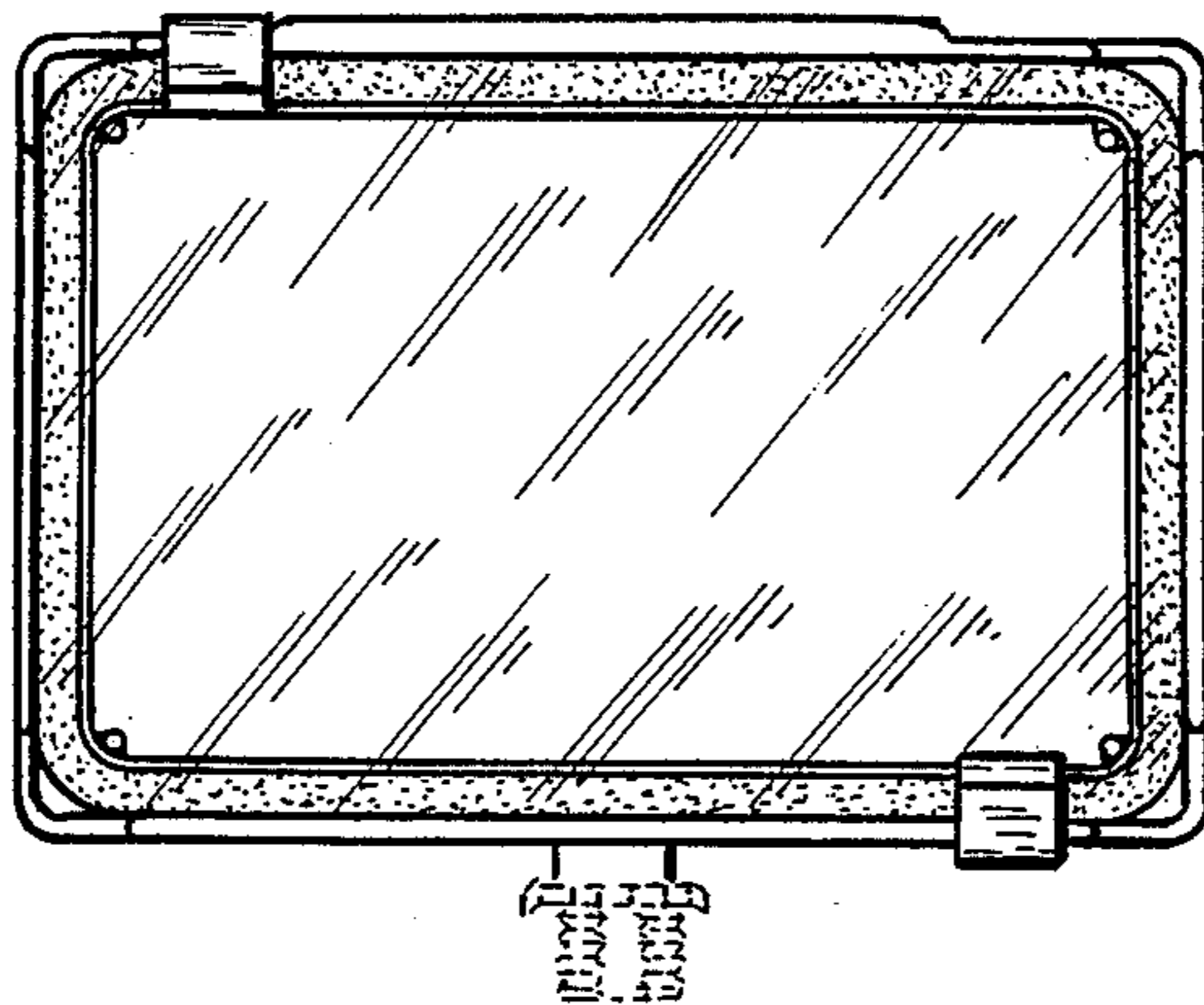


FIG. 4

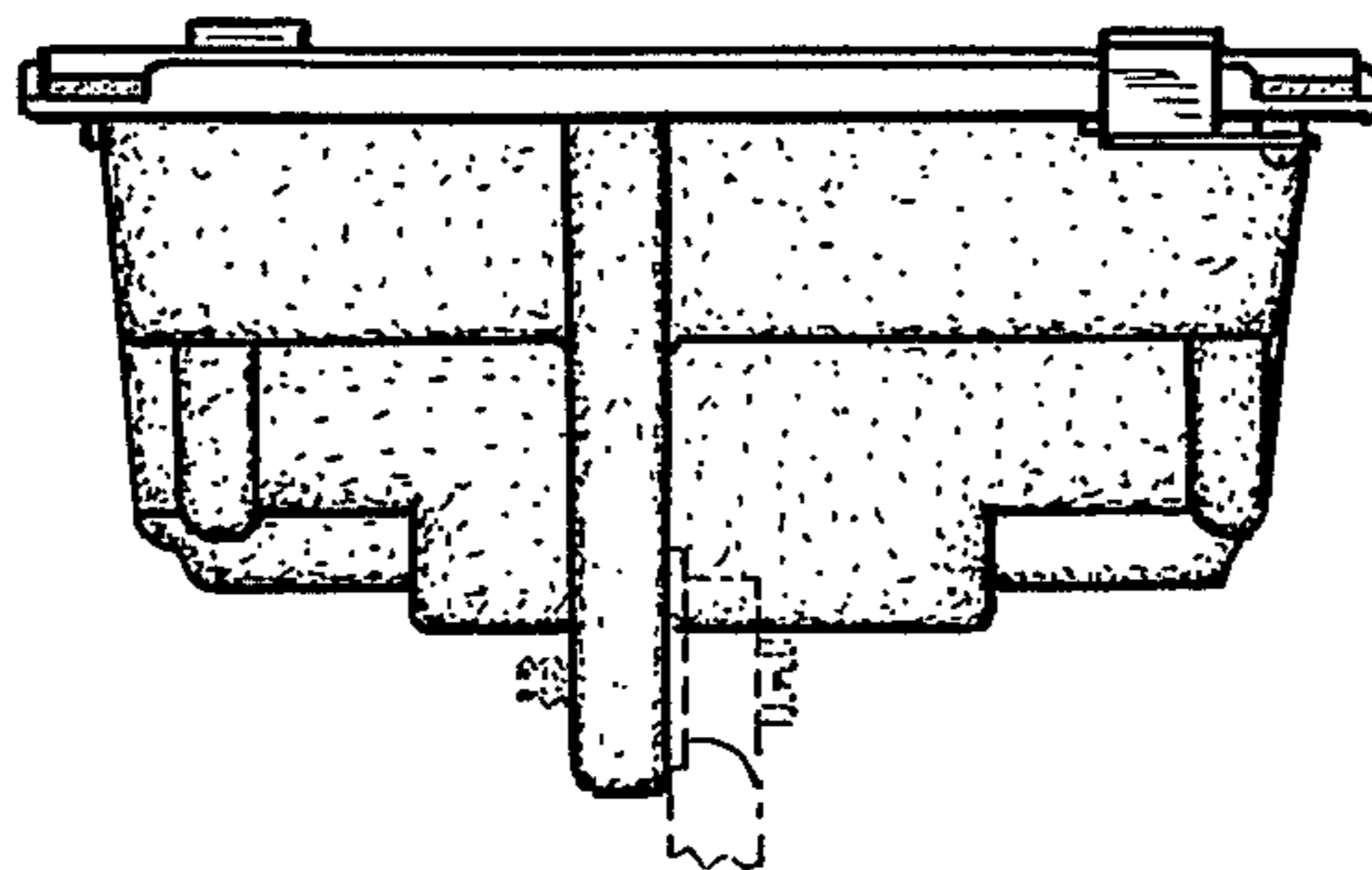


FIG. 7

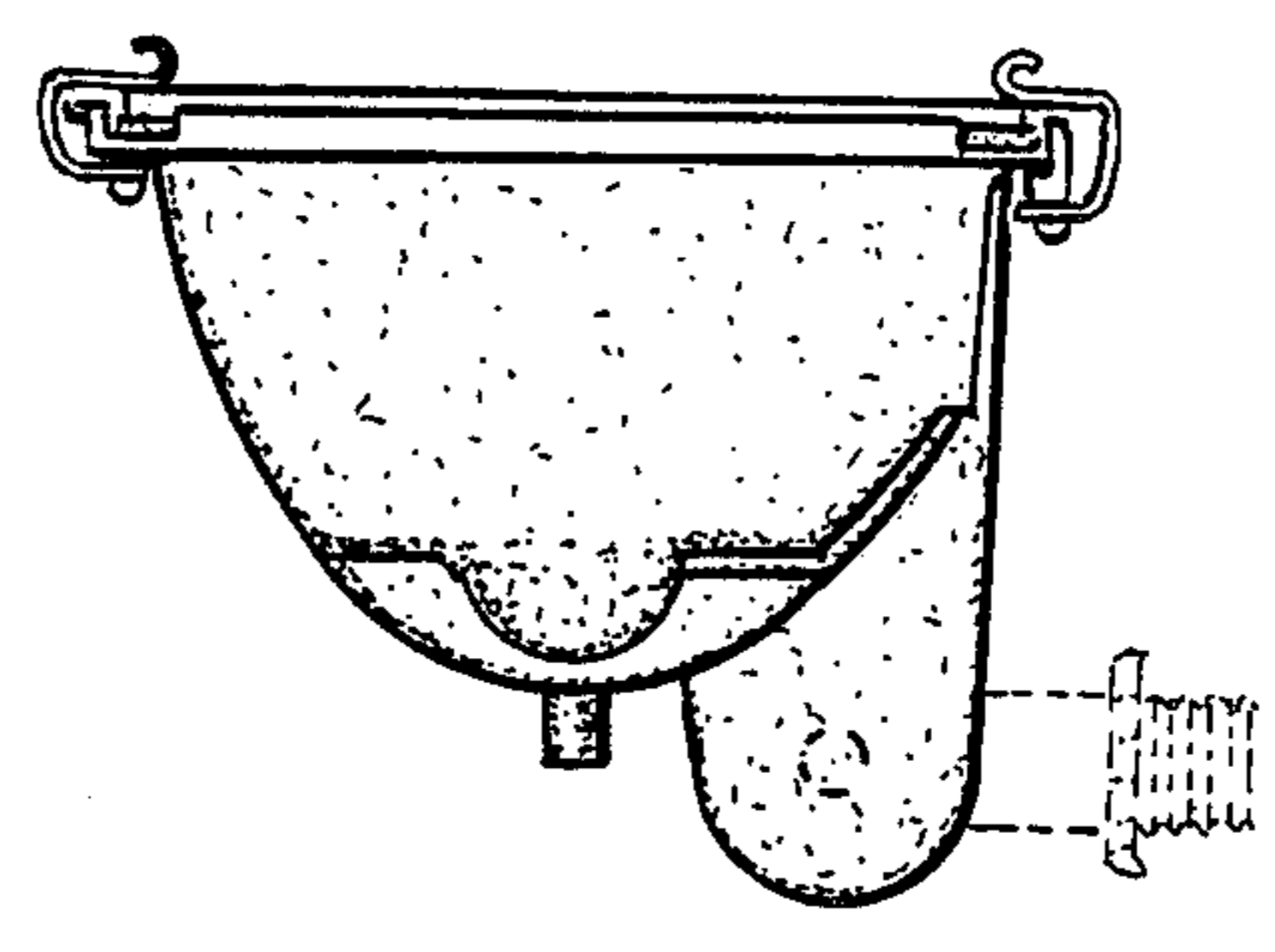


FIG. 6

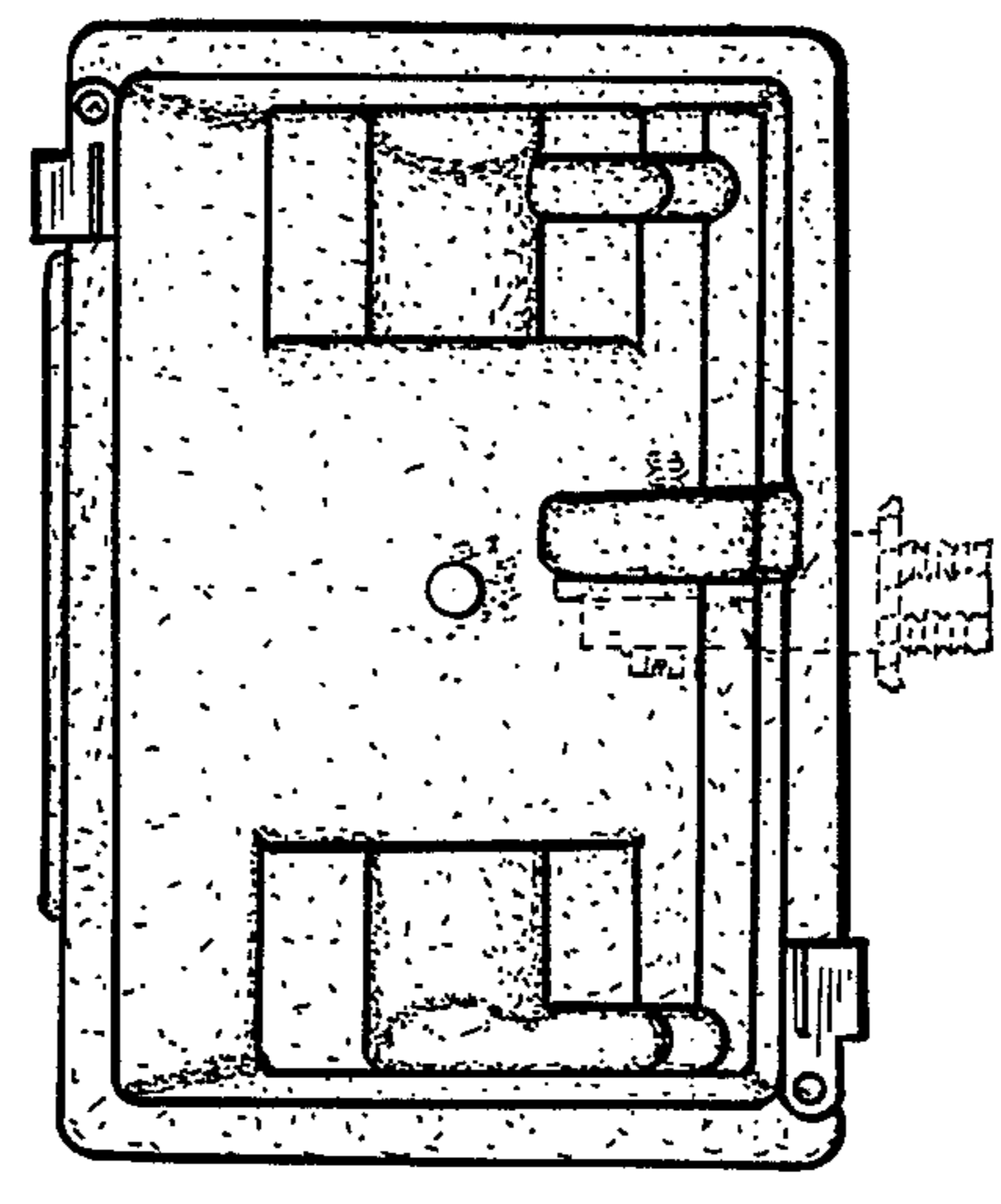


FIG. 5

