

United States Patent [19]

Meshulam

[11] Patent Number: **Des. 300,564**

[45] Date of Patent: **** Apr. 4, 1989**

[54] **SHAPED BAR FOR WINDOW FRAMES**

[75] Inventor: **Maurice Meshulam, Kiryat Motzkin, Israel**

[73] Assignee: **Klil Industries Ltd., Israel**

[**] Term: **14 Years**

[21] Appl. No.: **1,099**

[22] Filed: **Jan. 7, 1987**

[30] **Foreign Application Priority Data**

Jul. 24, 1986 [IL] Israel 11817

[52] U.S. Cl. **D25/119**

[58] Field of Search D25/52, 119-125;
49/413, 419, 475, 501, 504, DIG. 2

[56] **References Cited**

U.S. PATENT DOCUMENTS

D. 243,678 3/1977 Dallaire D25/119

D. 252,471 7/1979 Broadbent D25/119

D. 258,619 3/1981 Dallaire D25/119

D. 283,295 4/1986 Bancroft D25/119 X

Primary Examiner—A. Hugo Word

Attorney, Agent, or Firm—Ostrolenk, Faber, Gerb & Soffen

[57] **CLAIM**

The ornamental design for a shaped bar for window frames, as shown.

DESCRIPTION

FIG. 1 is a perspective view of a shaped bar for window frames showing my new design;

FIG. 2 is a front view thereof;

FIG. 3 is a side view thereof;

FIG. 4 is a top view thereof;

FIG. 5 is a bottom view thereof;

FIG. 6 is a further side view thereof; and

FIG. 7 is a rear view thereof.

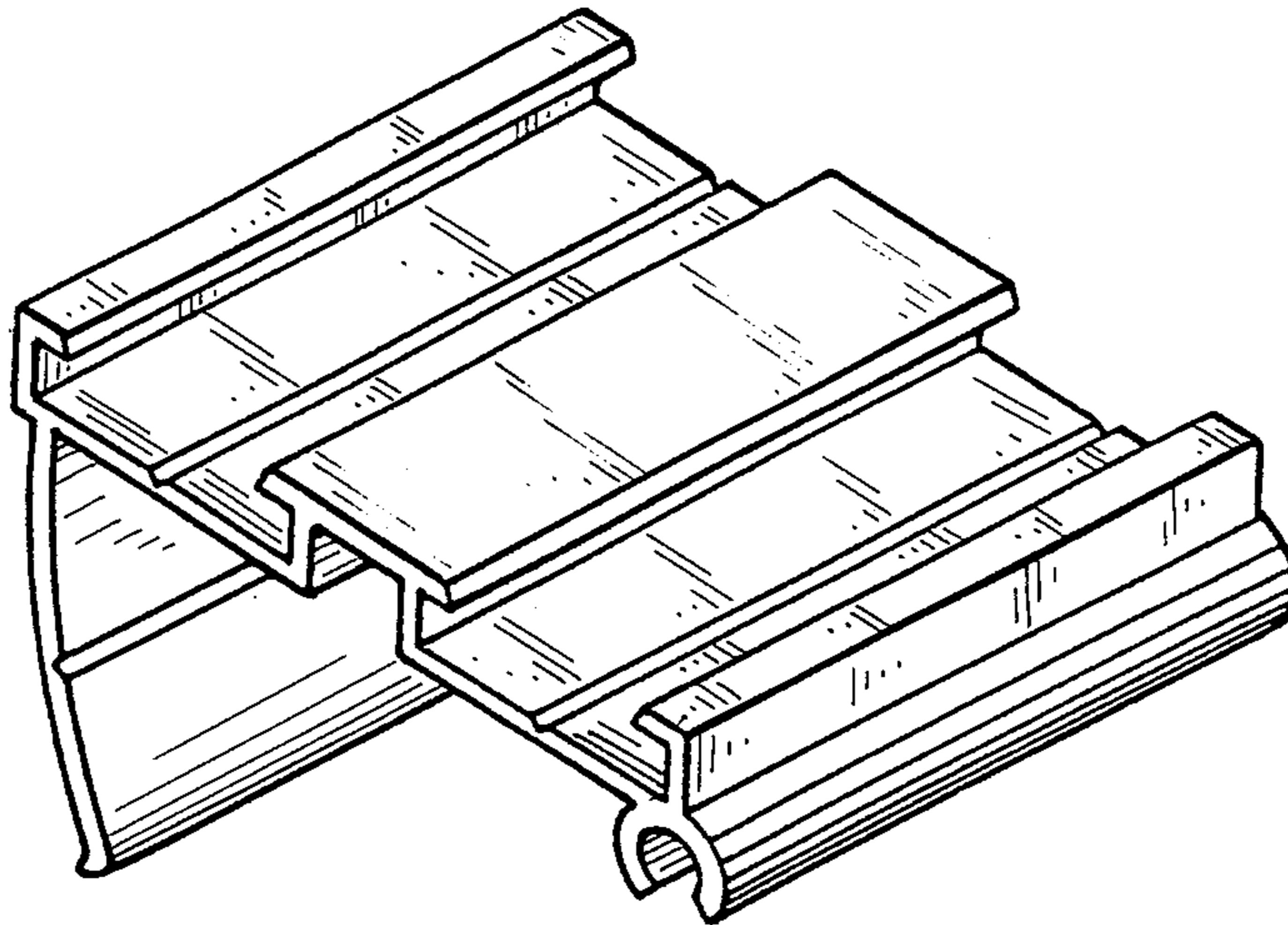


FIG. 1

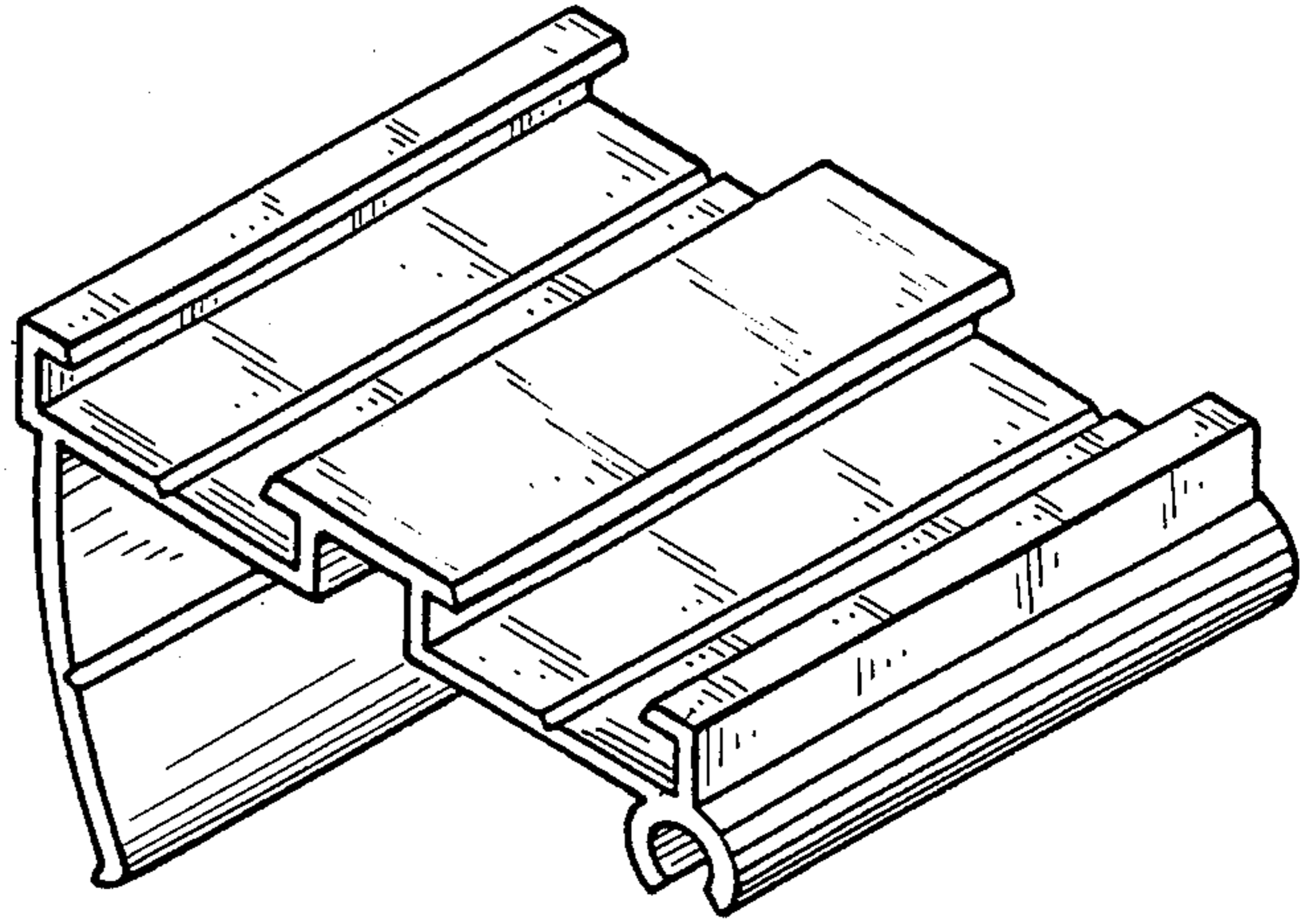


FIG. 2

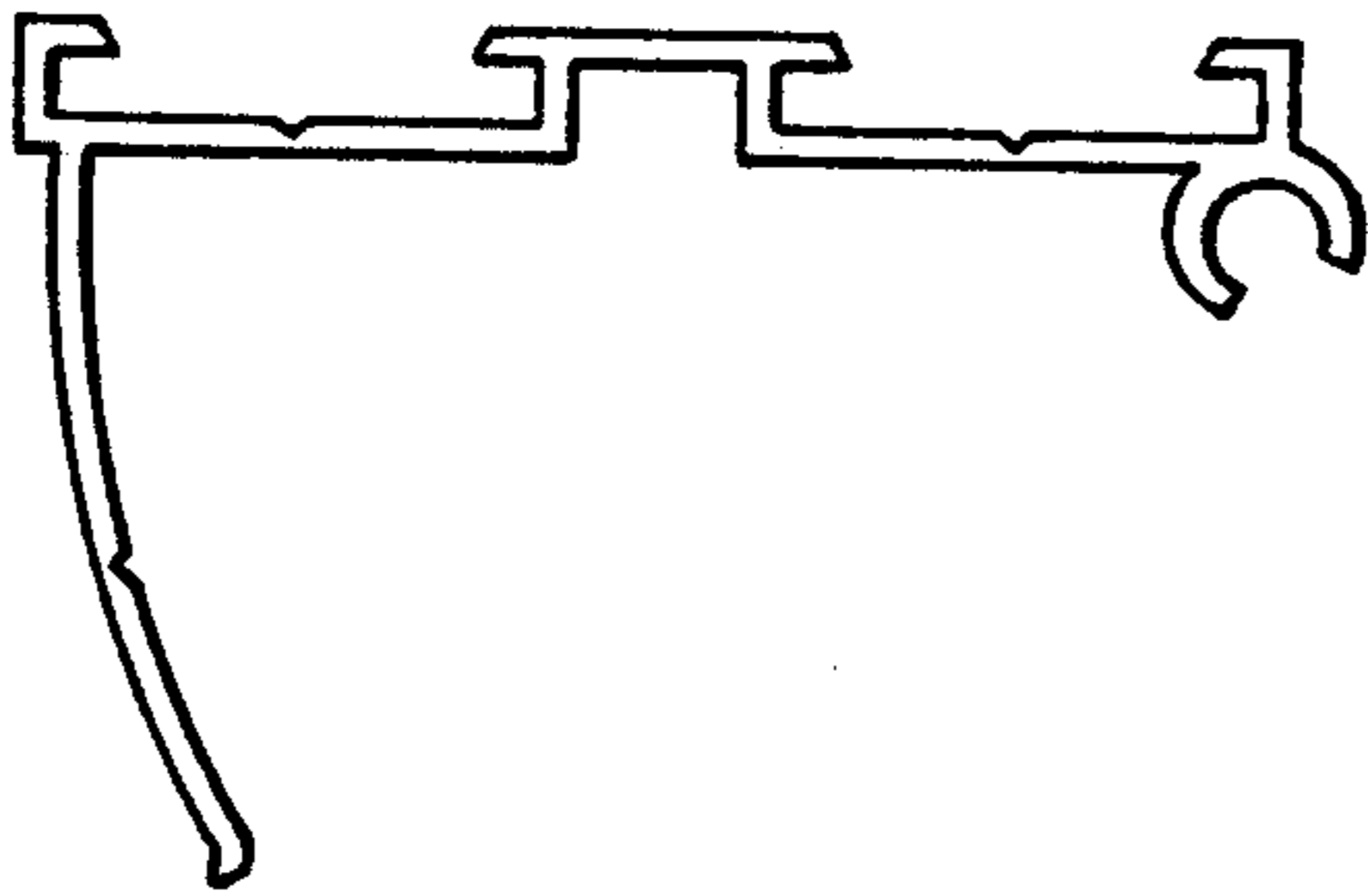


FIG. 3

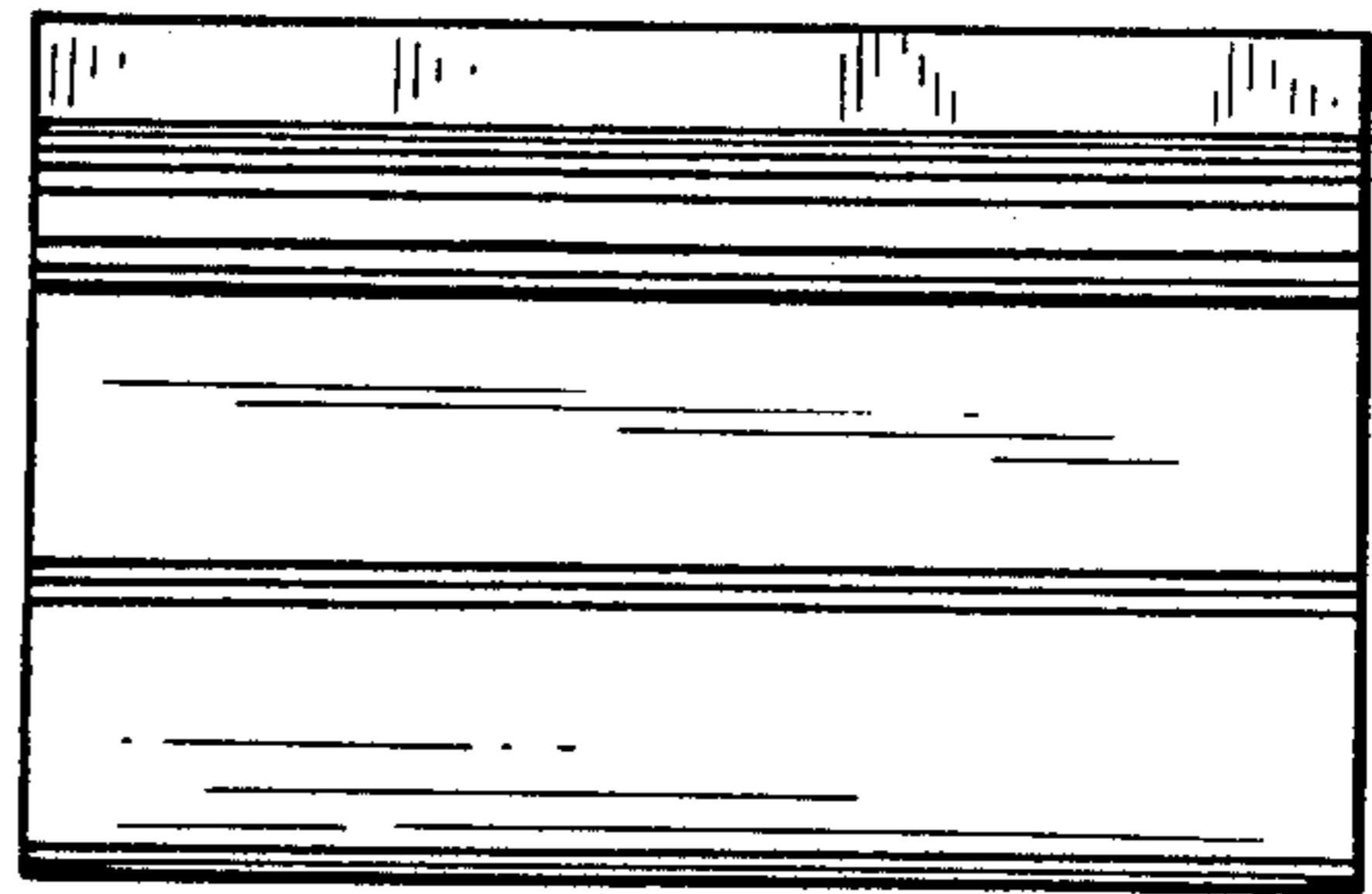
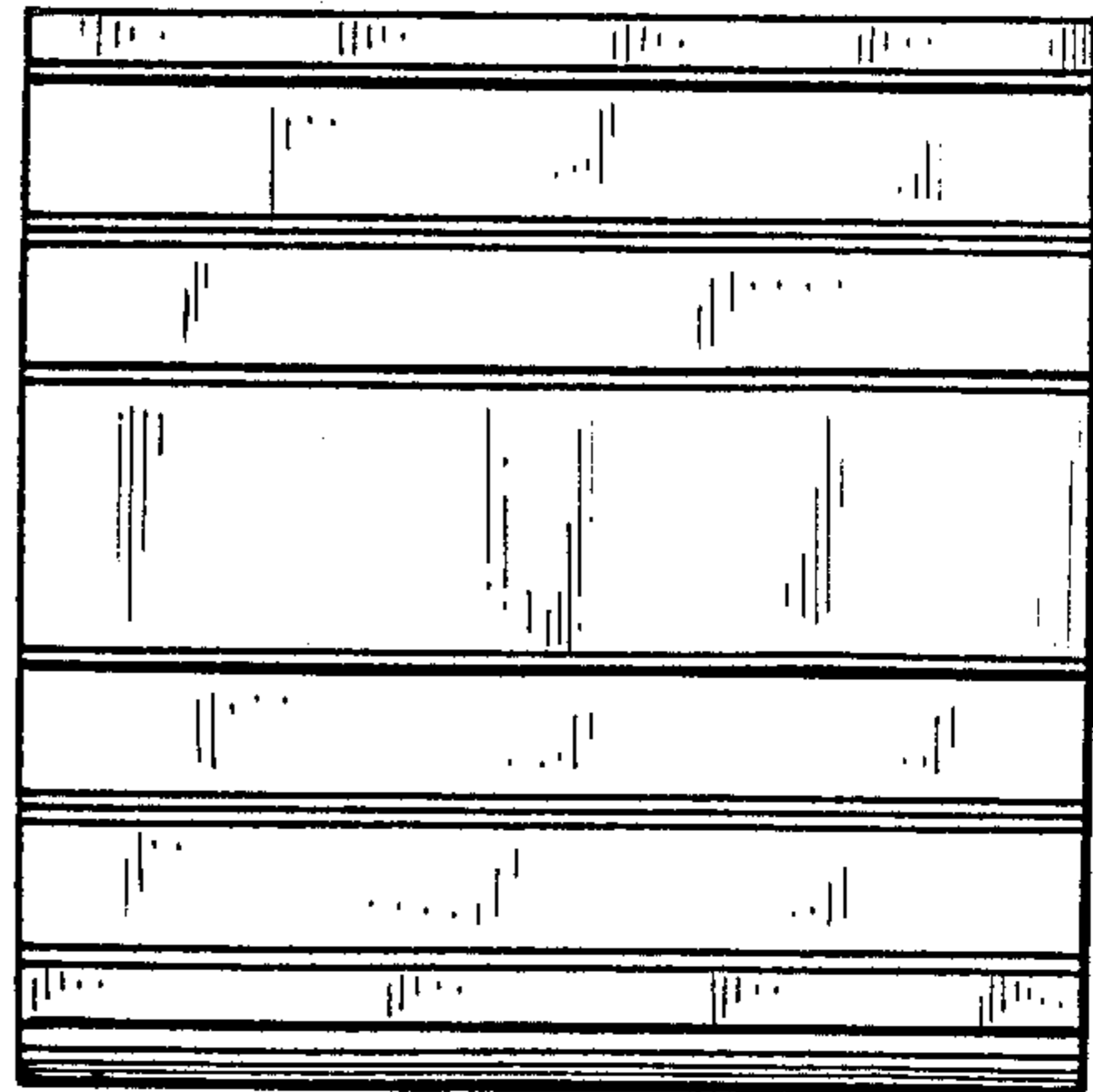


FIG. 4



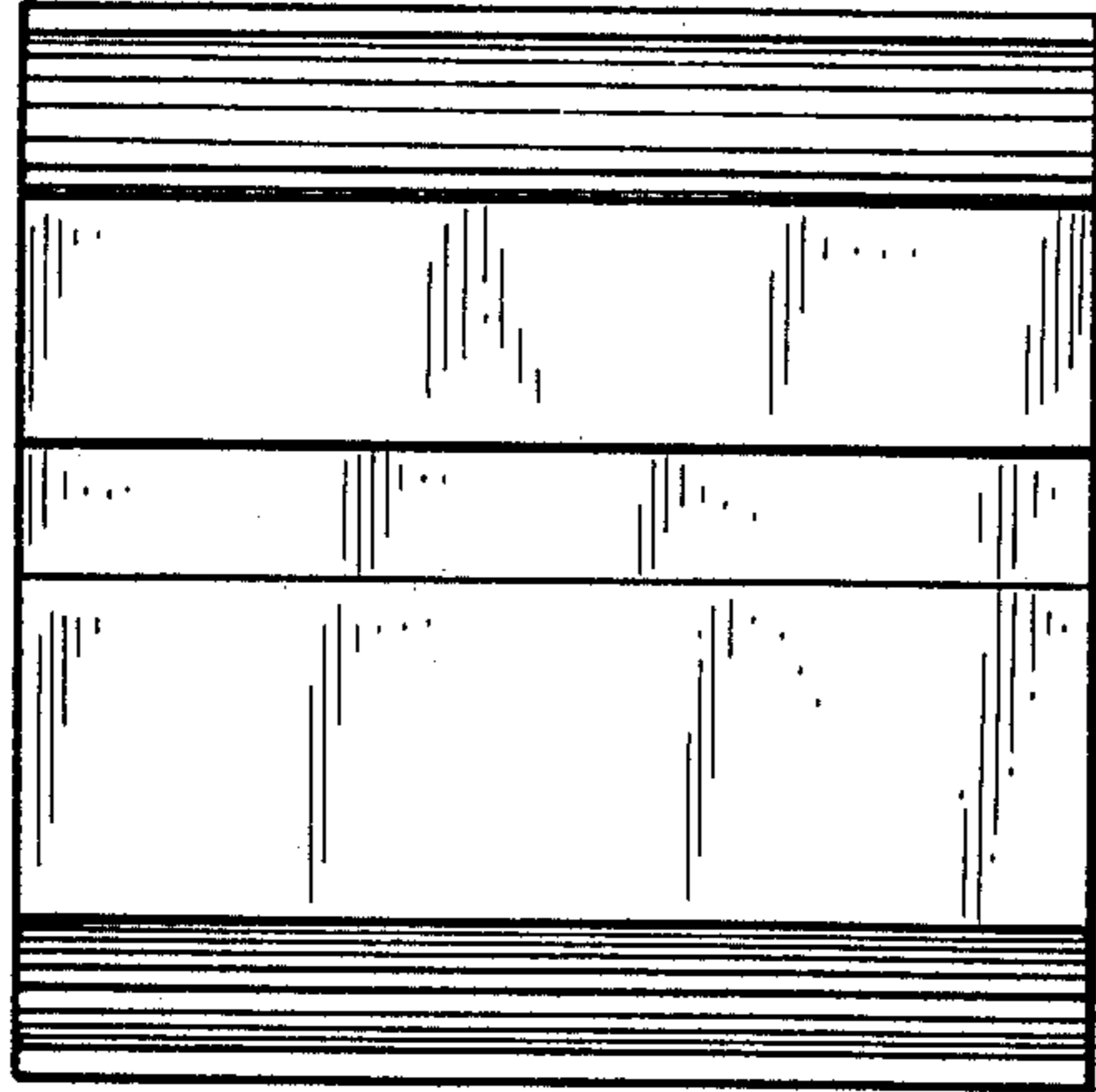


FIG. 5

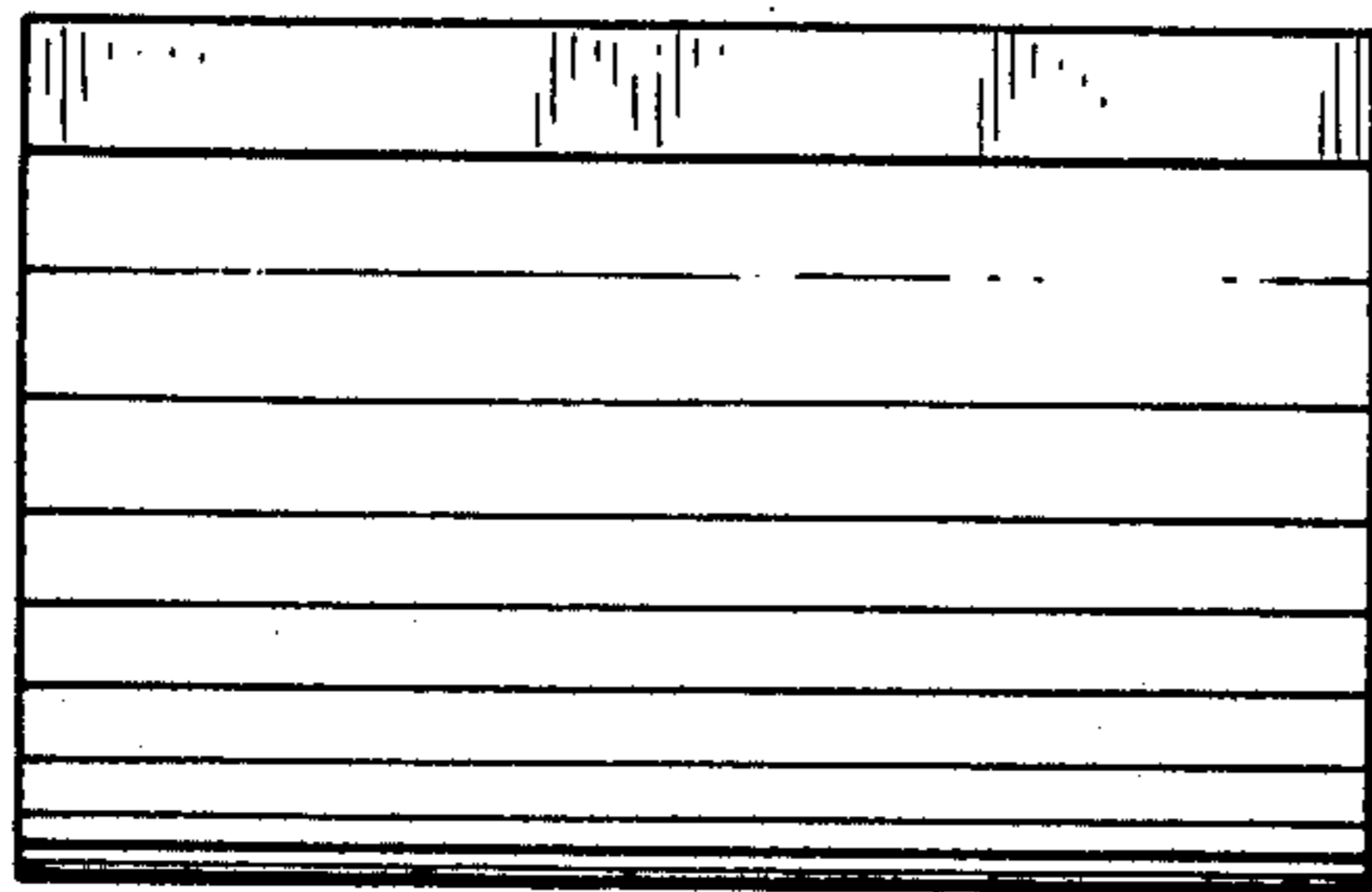


FIG. 6

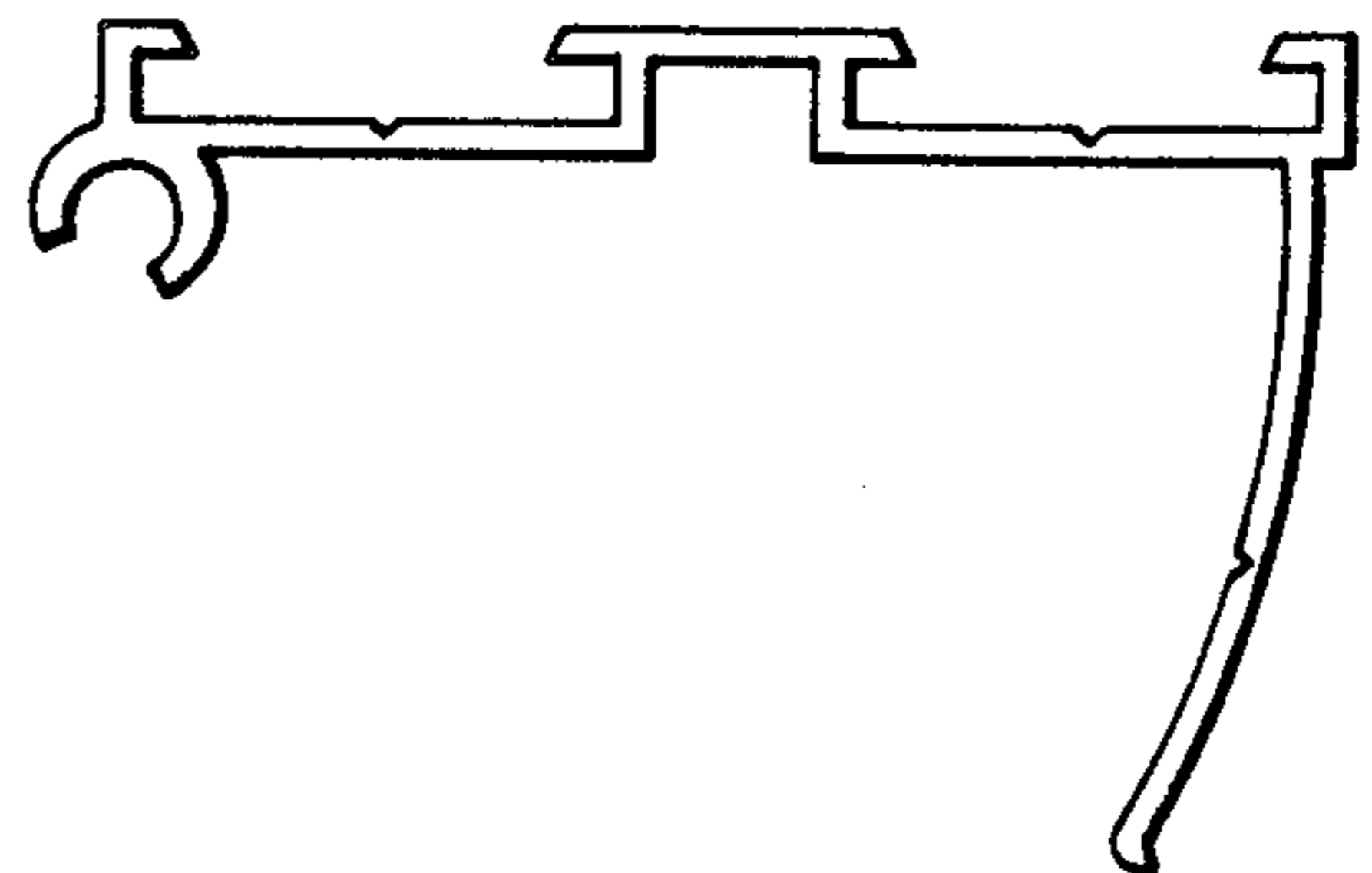


FIG. 7