

United States Patent [19]

Losito

[11] Patent Number: **Des. 300,560**

[45] Date of Patent: **** Apr. 4, 1989**

[54] **BABY BOTTLE HOLDER OR THE LIKE**

[76] Inventor: **Ralph Losito, 23681 Mariner #49,
Laguna Niguel, Calif. 92677**

[**] Term: **14 Years**

[21] Appl. No.: **715,923**

[22] Filed: **Mar. 25, 1985**

[52] U.S. Cl. **D24/48**

[58] Field of Search **D24/48, 47; 248/102,
248/103, 105-107, 311.2; D7/70, 71; D8/71,
373, 395, 396**

[56] **References Cited**

U.S. PATENT DOCUMENTS

D. 247,216 2/1978 Mathews D8/373 X
D. 260,471 9/1981 Douglas D7/70
3,161,392 12/1964 Kopec et al. 248/104
4,629,153 12/1986 Marcum 248/311.2 X

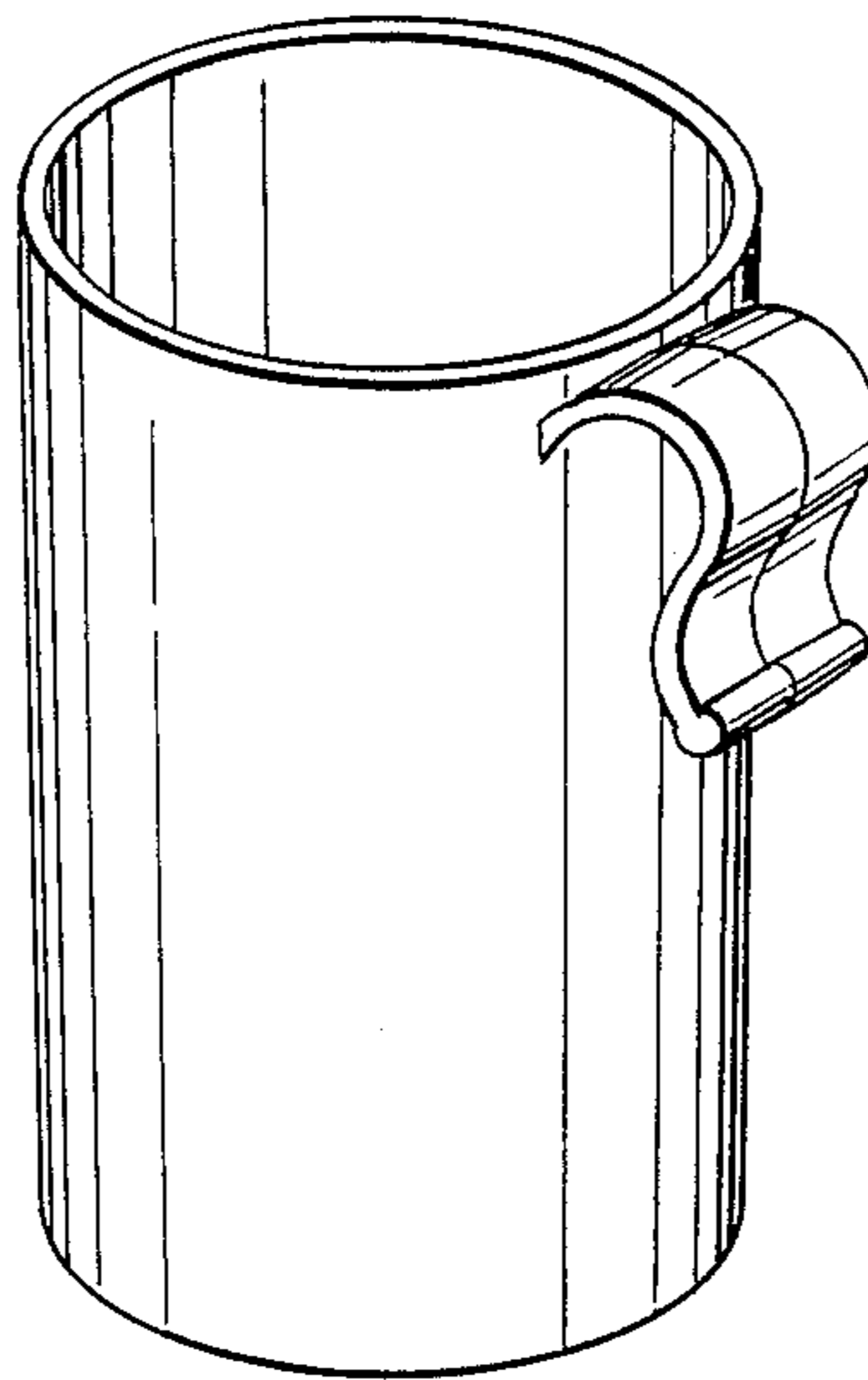
Primary Examiner—Wallace R. Burke
Assistant Examiner—Stella M. Reid
Attorney, Agent, or Firm—Lynn & Lynn

[57] **CLAIM**

The ornamental design for a baby bottle holder or the like, as shown.

DESCRIPTION

FIG. 1 is a top perspective view of a baby bottle holder showing my new design;
FIG. 2 is a top plan view thereof; and
FIG. 3 is a side elevational view thereof.



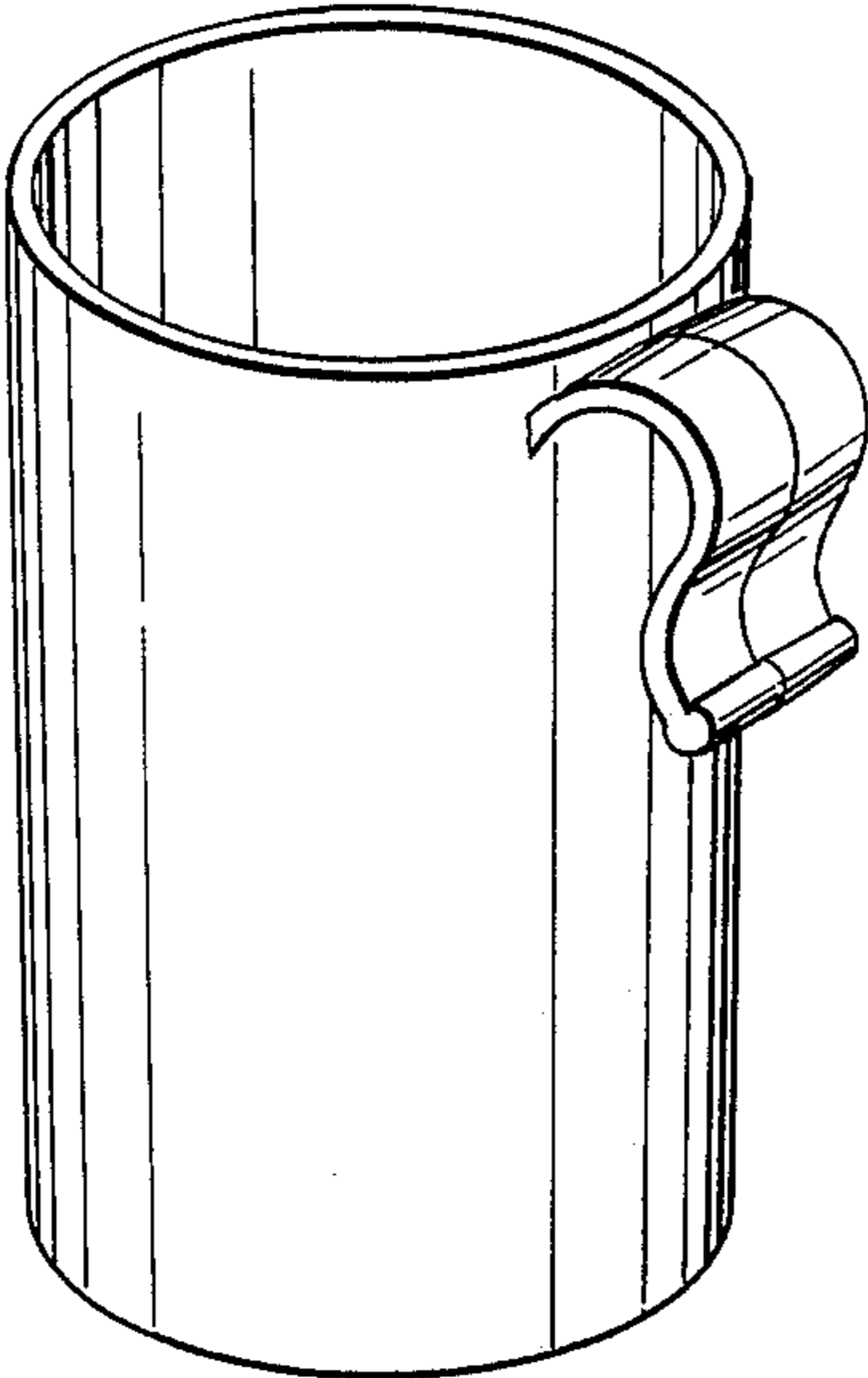


Fig. 1

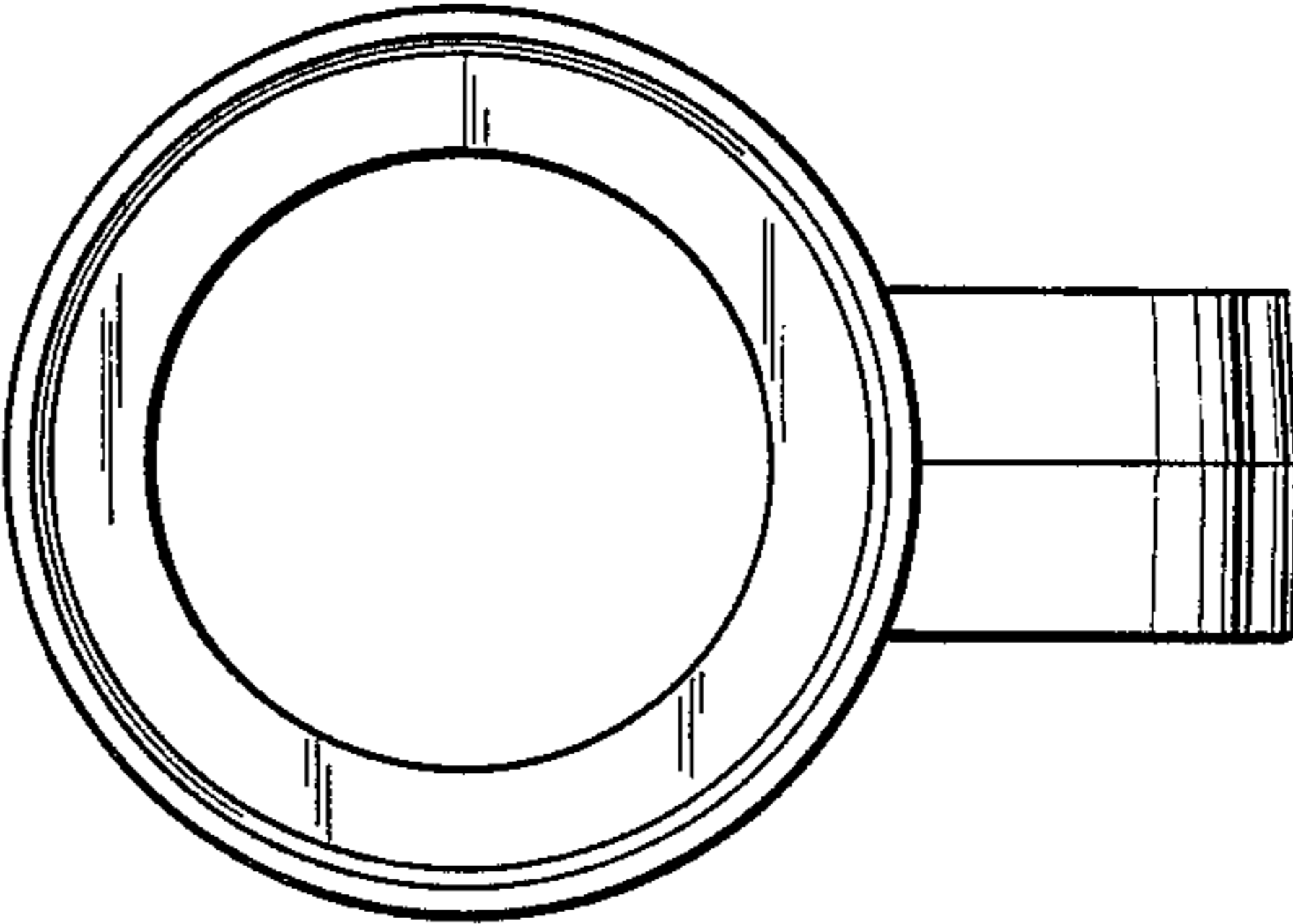


Fig. 3

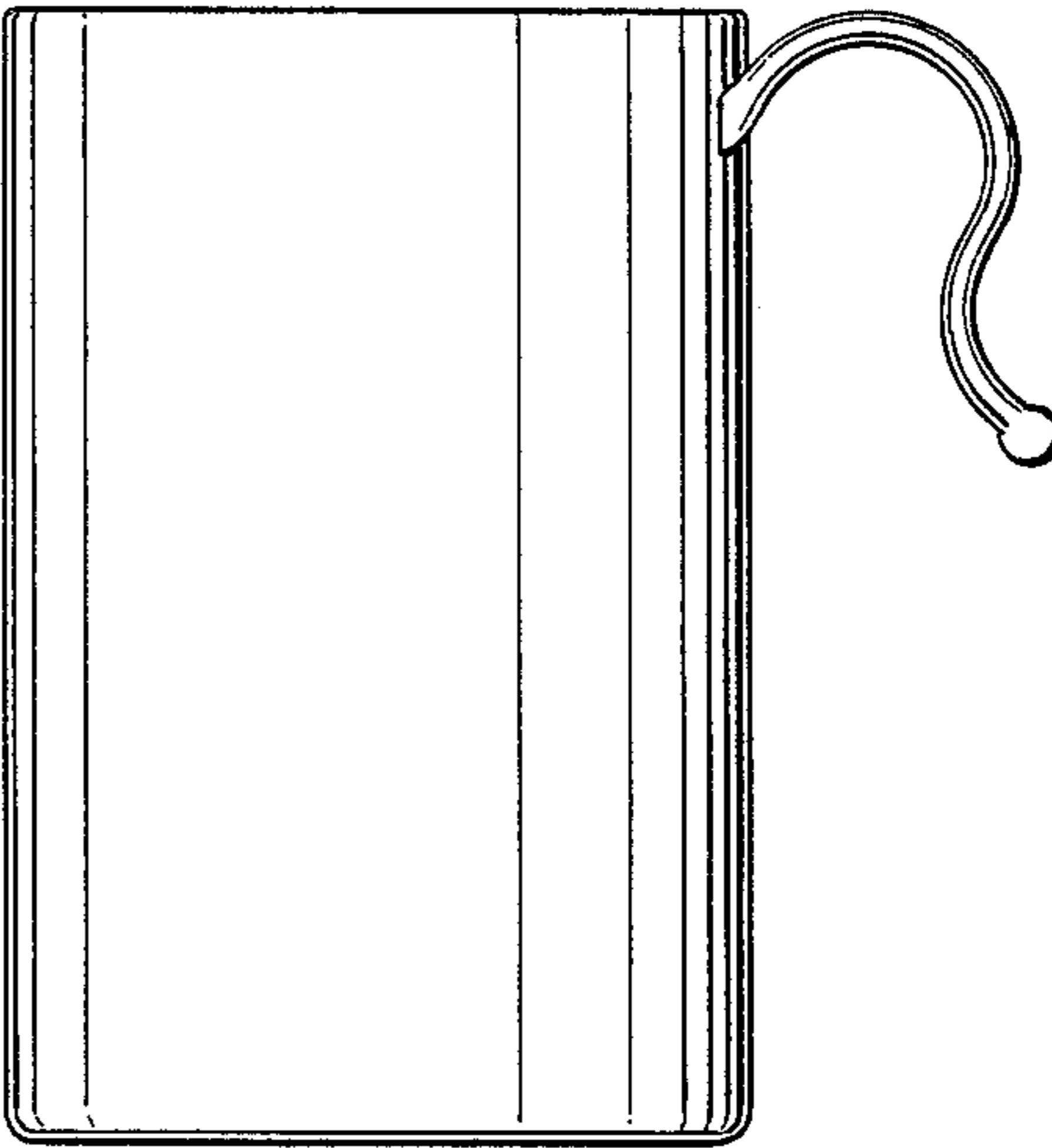


Fig. 2