

[54] SMOKE DIRECTOR FOR A CONVEYOR OVEN

2,535,863 12/1950 Pledger 126/301
2,836,114 5/1958 Weaver et al. 126/299 R X

[75] Inventor: Russell L. Breidinger, Rochester, Ind.

Primary Examiner—Wallace R. Burke
Assistant Examiner—Brian N Vinson
Attorney, Agent, or Firm—Woodard, Emhardt, Naughton, Moriarty & McNett

[73] Assignee: LDI Mfg. Co., Inc., Logansport, Ind.

[**] Term: 14 Years

[57] CLAIM

[21] Appl. No.: 927,420

The ornamental design for a smoke director for a conveyor oven, as shown and described.

[22] Filed: Nov. 5, 1986

[52] U.S. Cl. D23/387

DESCRIPTION

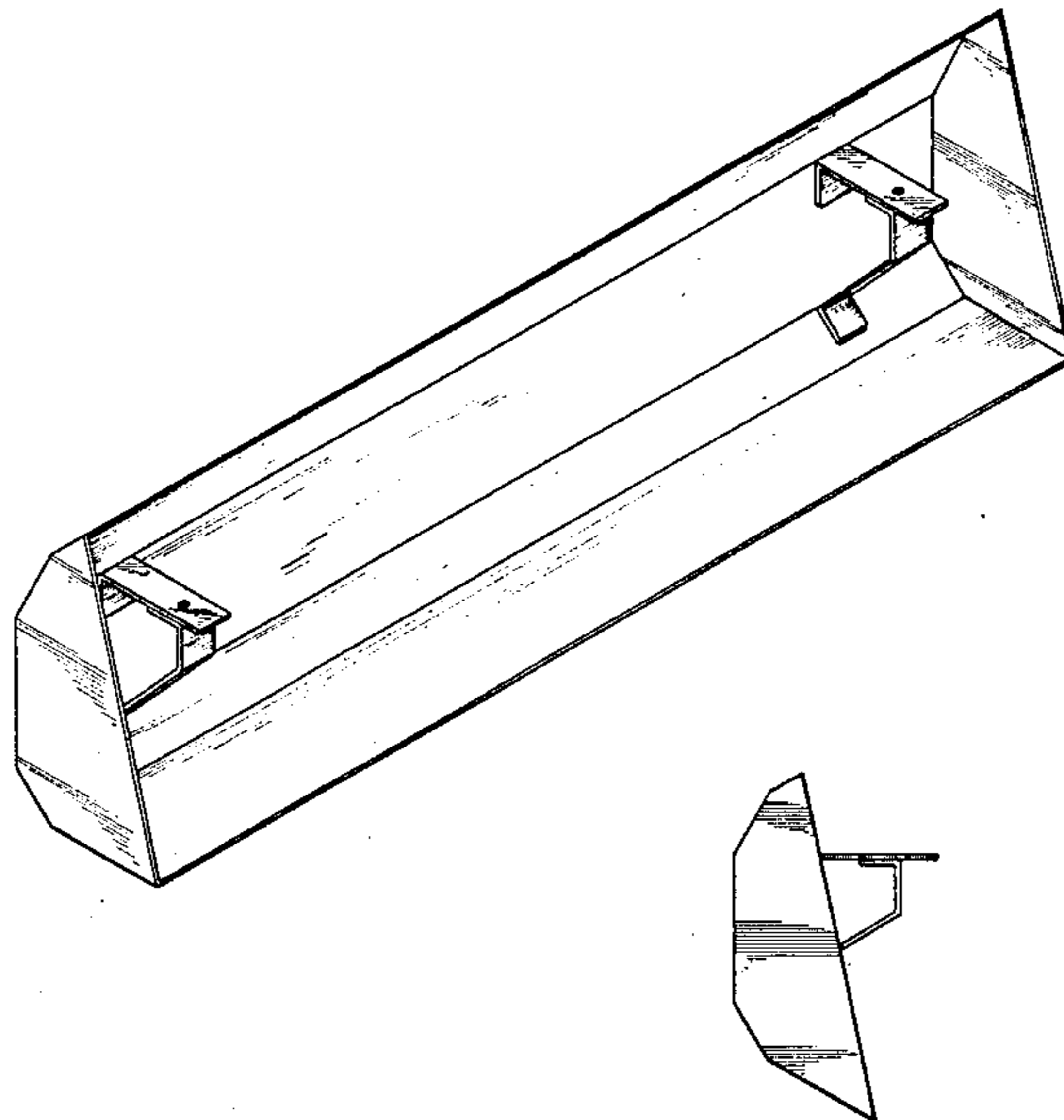
[58] Field of Search D23/386, 354, 388, 393, D23/387, 499, 370-372; D7/399, 348-349, 323; 126/299 R, 299 F, 300-301; 98/115.1

FIG. 1 is a top, rear perspective view of a smoke director for a conveyor oven showing my new design; FIG. 2 is a right side elevational view thereof, the left side being a mirror image of the shown; FIG. 3 is a front elevational view thereof; FIG. 4 is a rear elevational view thereof; FIG. 5 is a top plan view thereof; FIG. 6 is a bottom plan view thereof. The appearance of the left side is a mirror image of that shown in FIG. 2.

[56] References Cited

U.S. PATENT DOCUMENTS

- D. 121,556 7/1940 Bancroft D23/370
- D. 156,558 12/1949 Pledger D23/372
- D. 197,498 2/1964 Jones D23/372 X
- D. 287,048 12/1986 Bratton D23/387 X



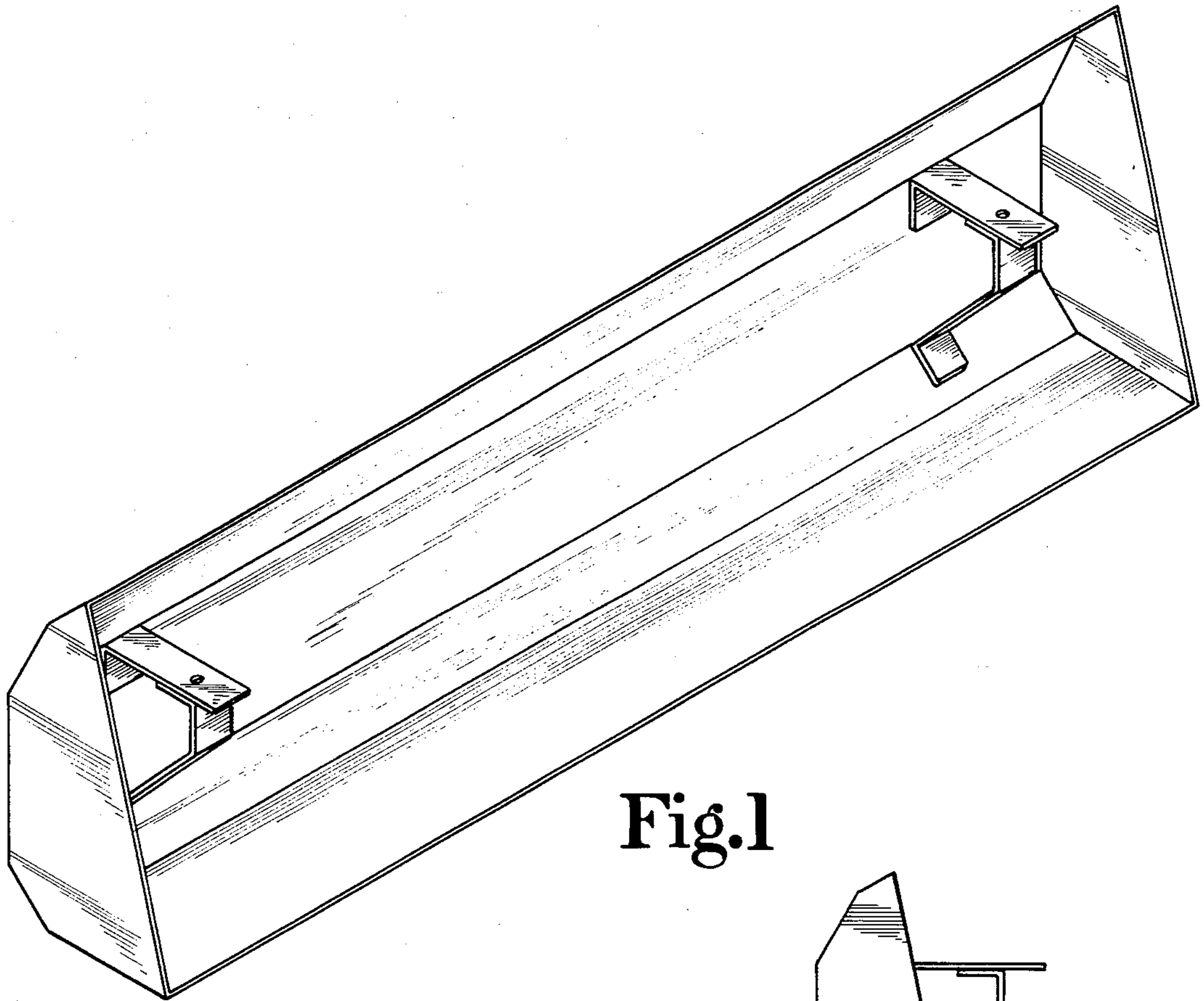


Fig. 1

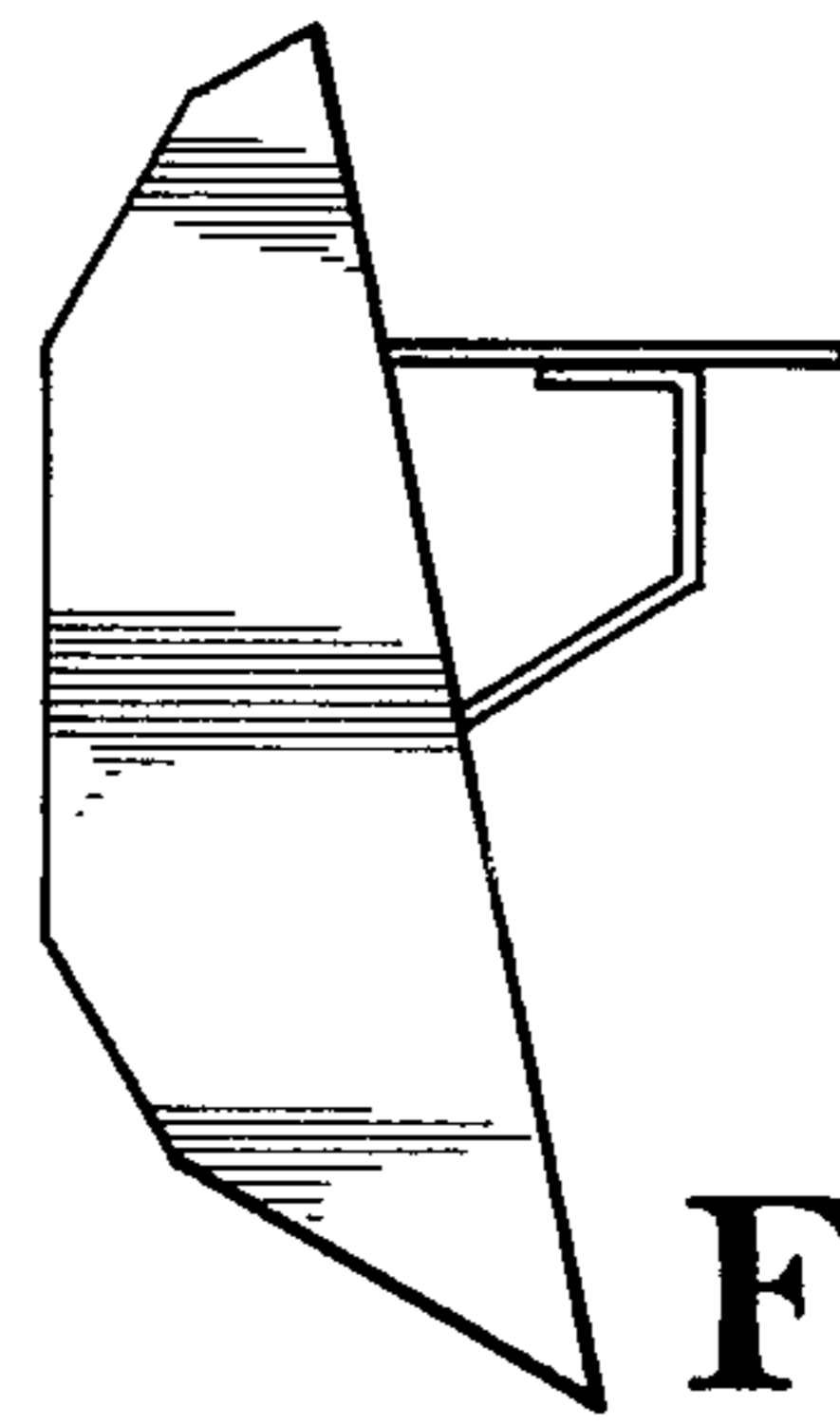


Fig. 2

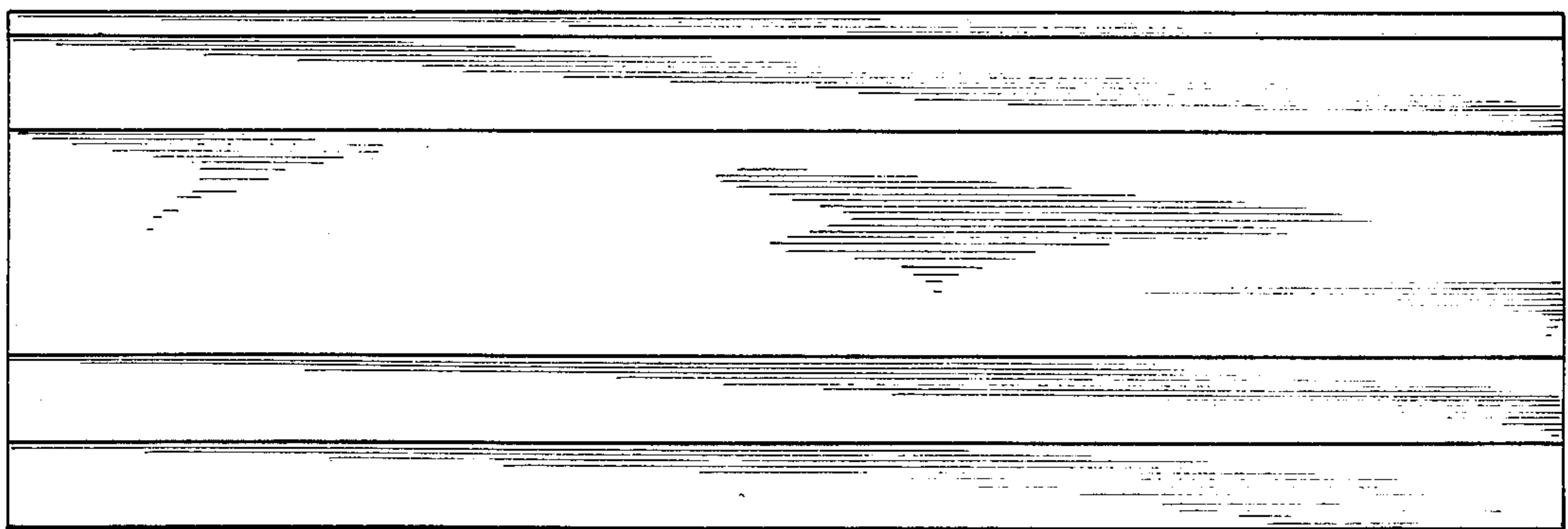


Fig. 3

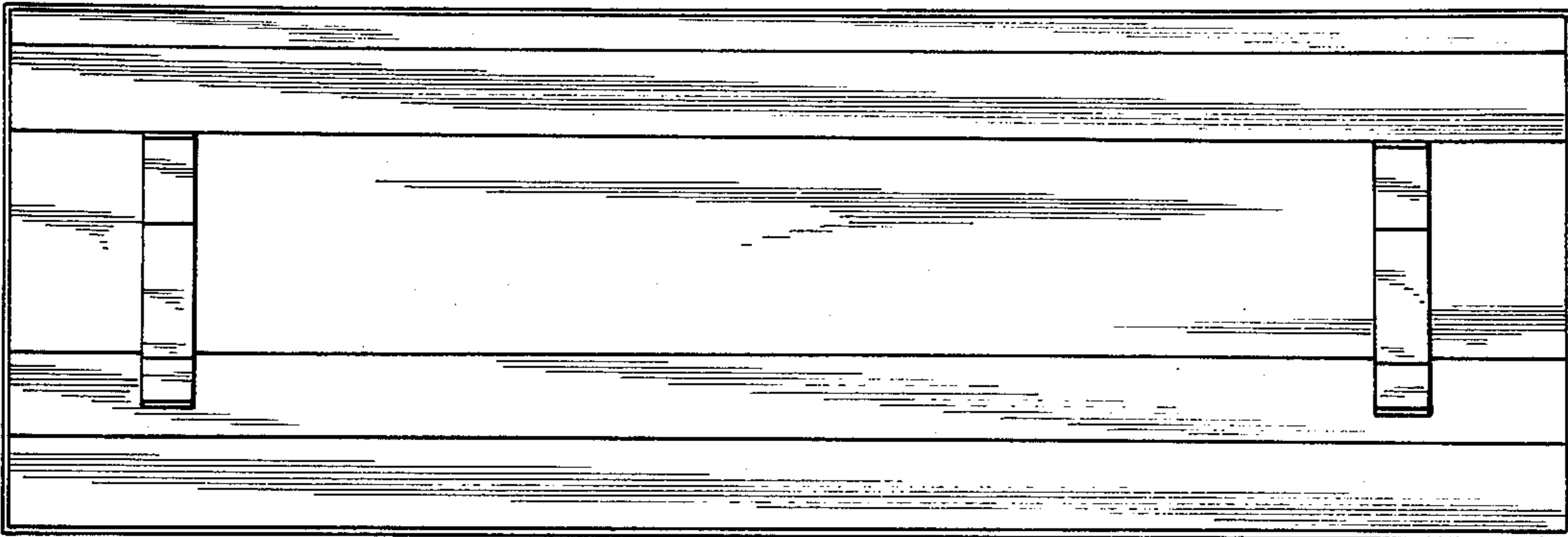


Fig. 4

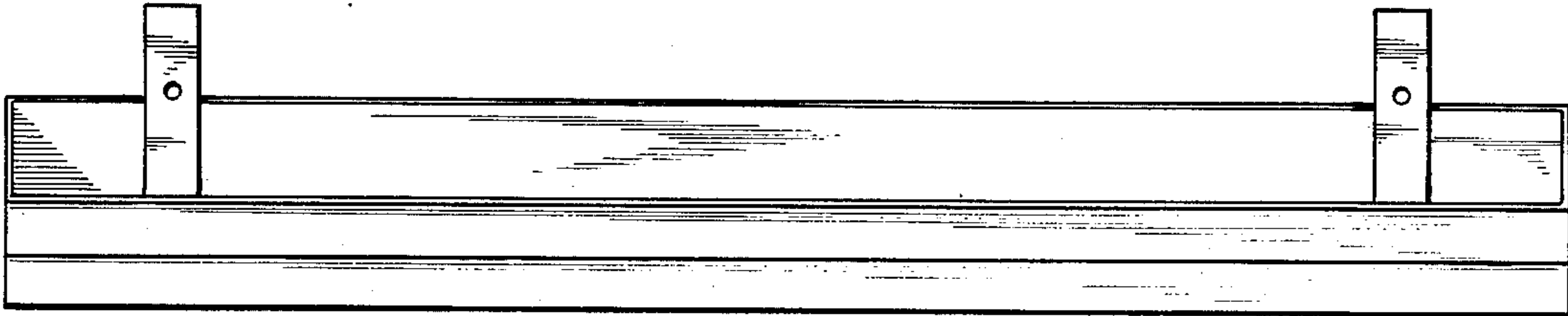


Fig. 5

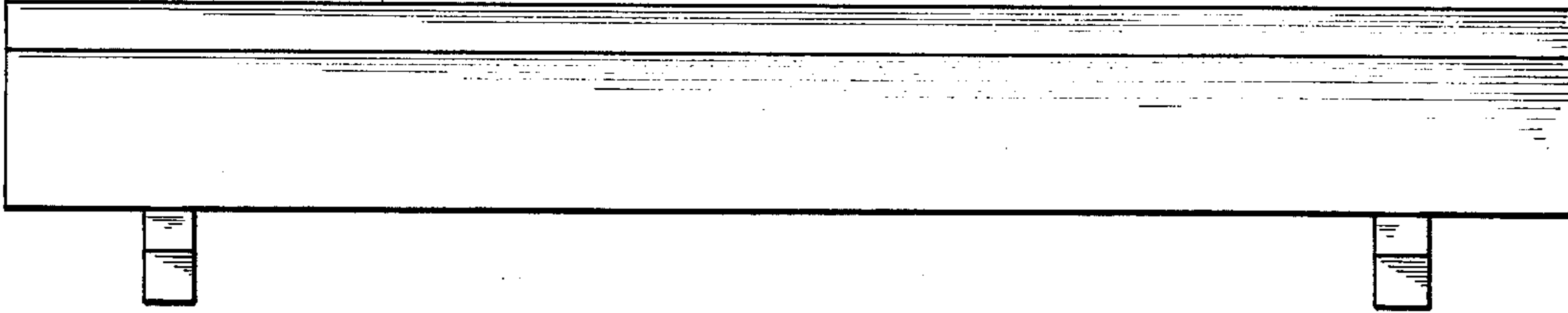


Fig. 6