

[54] BATHTUB

[76] Inventor: Jean-Claude Delepine, 23, rue Clapeyron, 75008 Paris, France

[**] Term: 14 Years

[21] Appl. No.: 936,660

[22] Filed: Dec. 1, 1986

[30] Foreign Application Priority Data

May 29, 1986 [IB] Int'l Pat. Institute DM/006976

[52] U.S. Cl. D23/281

[58] Field of Search D23/270-275, D23/277-282, 303-307; 4/538, 559, 571, 573, 575, 578, 584, 589, 590, 592, 597

[56] References Cited

U.S. PATENT DOCUMENTS

- D. 214,270 5/1969 Bonsack .
- D. 234,547 3/1975 Nicollet .
- D. 237,616 11/1975 Gordon .
- D. 240,084 5/1976 Melchior .
- D. 241,643 9/1976 Bonsack D23/281
- D. 250,828 1/1979 Clement D23/281
- D. 250,829 1/1979 Clement D23/281
- D. 250,830 1/1979 Clement .
- D. 250,962 1/1979 Bonsack .
- D. 253,367 11/1979 Weaver .
- D. 254,387 3/1980 Ogden D24/38
- D. 260,288 3/1981 D'Innocente et al. .
- D. 260,429 8/1981 Myers .
- D. 264,505 5/1982 Reineman .
- D. 267,198 12/1982 Huguet .
- D. 267,271 12/1982 Kingsley et al. .

- D. 271,522 11/1983 Wiley .
- D. 274,835 7/1984 Gruber D23/281
- D. 277,985 3/1985 Kingsley .
- D. 284,890 7/1986 Delepine .
- D. 286,811 11/1986 Diamond D23/281
- D. 290,390 6/1987 Diamond D23/281
- D. 290,995 7/1987 Diamond D23/304
- 1,284,171 11/1918 Barnhart 4/594 X
- 1,315,643 9/1919 Schwartz 4/590
- 1,962,076 6/1934 Jadkowski D23/279 X
- 2,529,568 4/1947 O'Hara .
- 2,569,825 10/1951 Otis 4/590 X
- 4,339,833 7/1982 Mandell .
- 4,466,141 8/1984 Starkey .

FOREIGN PATENT DOCUMENTS

418820 3/1946 Italy .

Primary Examiner—James R. Largen

Attorney, Agent, or Firm—Fisher, Christen & Sabol

[57] CLAIM

The ornamental design for a bathtub, as shown.

DESCRIPTION

FIG. 1 is a top plan view of a bathtub showing my new design;
 FIG. 2 is a side elevational view thereof, the opposite side being a mirror image of the side shown;
 FIG. 3 is a left end elevational view of FIG. 1;
 FIG. 4 is a right end elevational view of FIG. 1;
 FIG. 5 is a bottom plan view thereof;
 FIG. 6 is a top perspective view thereof; and
 FIG. 7 is a cross sectional view taken on line 7—7 of FIG. 1.

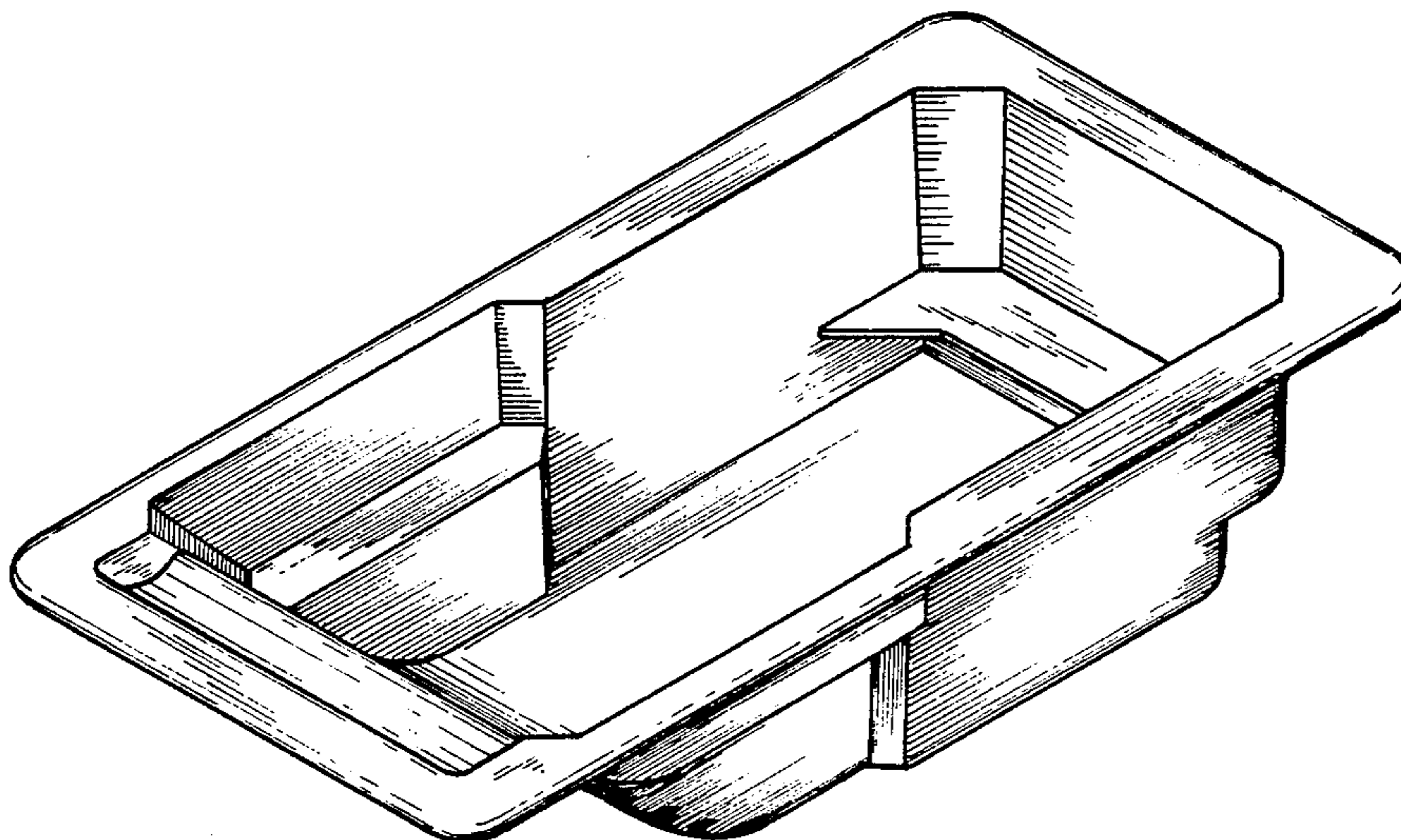


FIG. 1

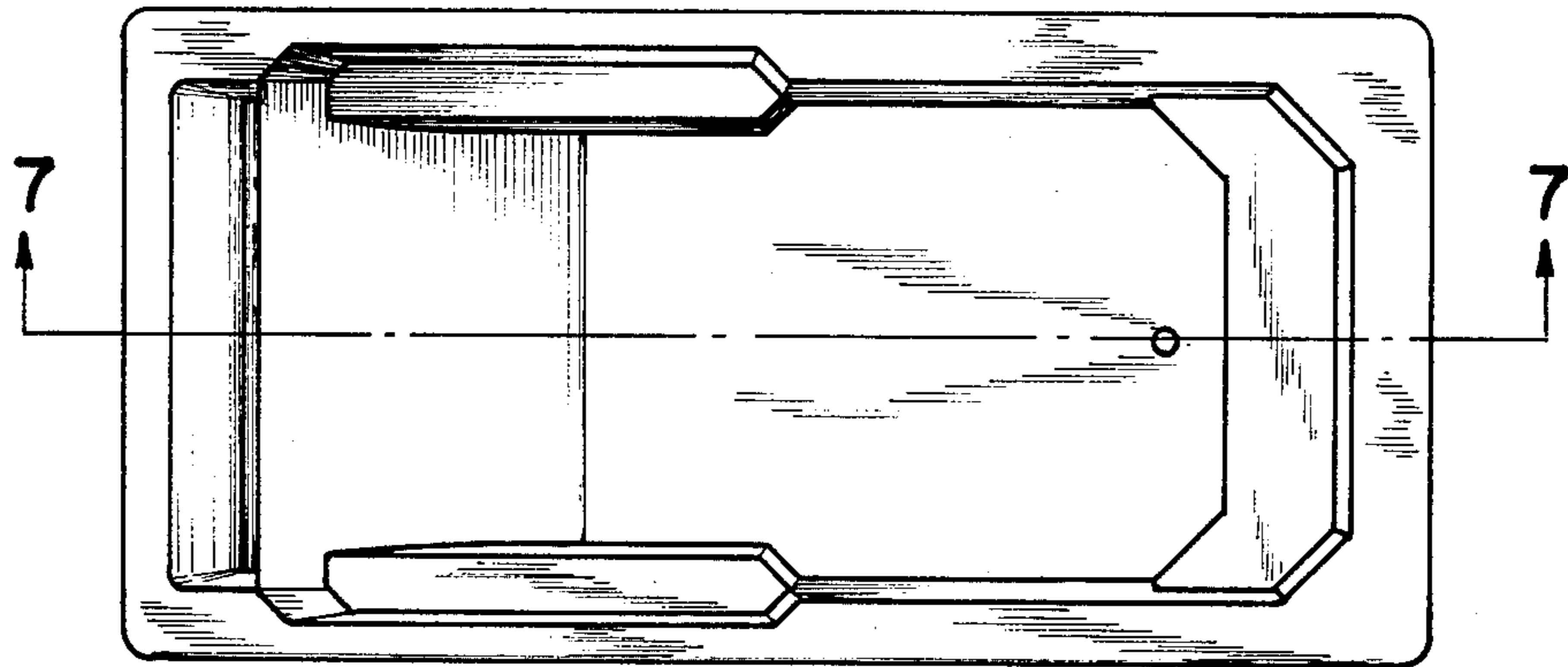


FIG. 2

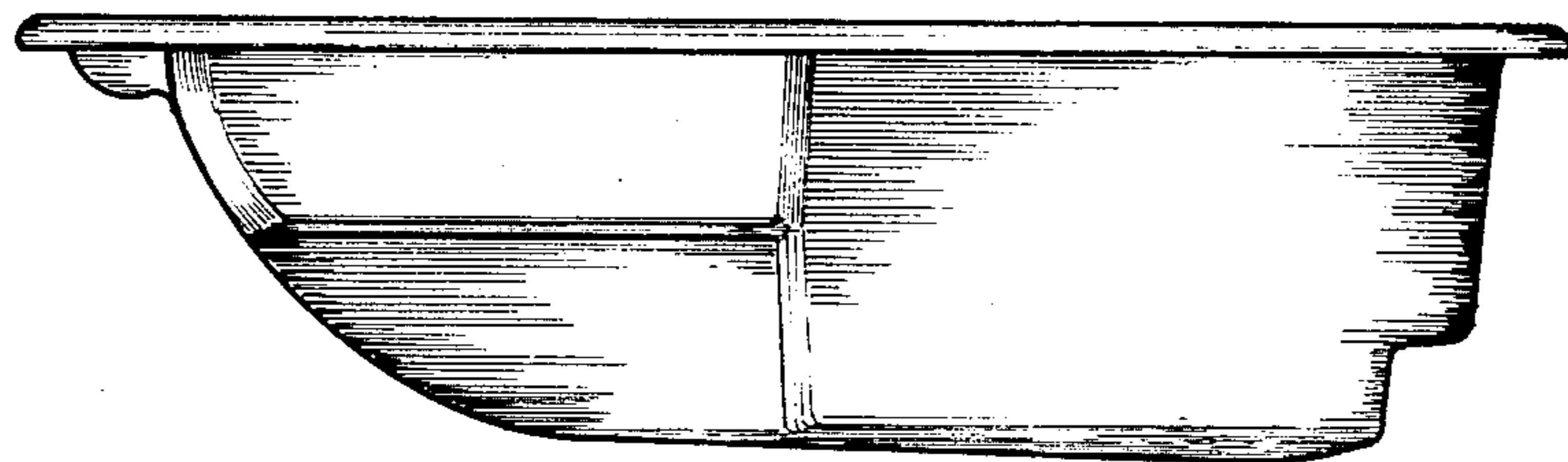


FIG. 3

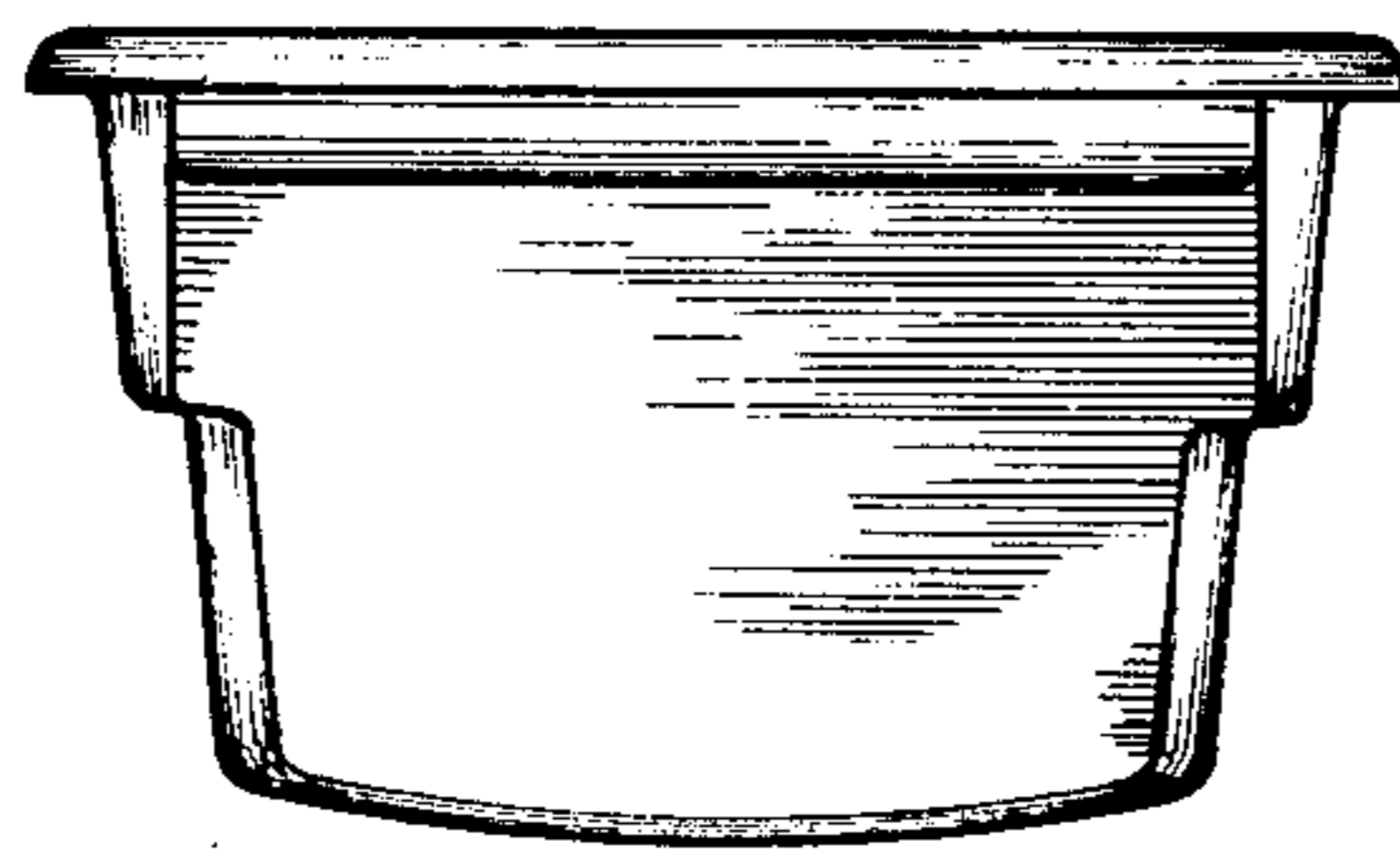


FIG. 4

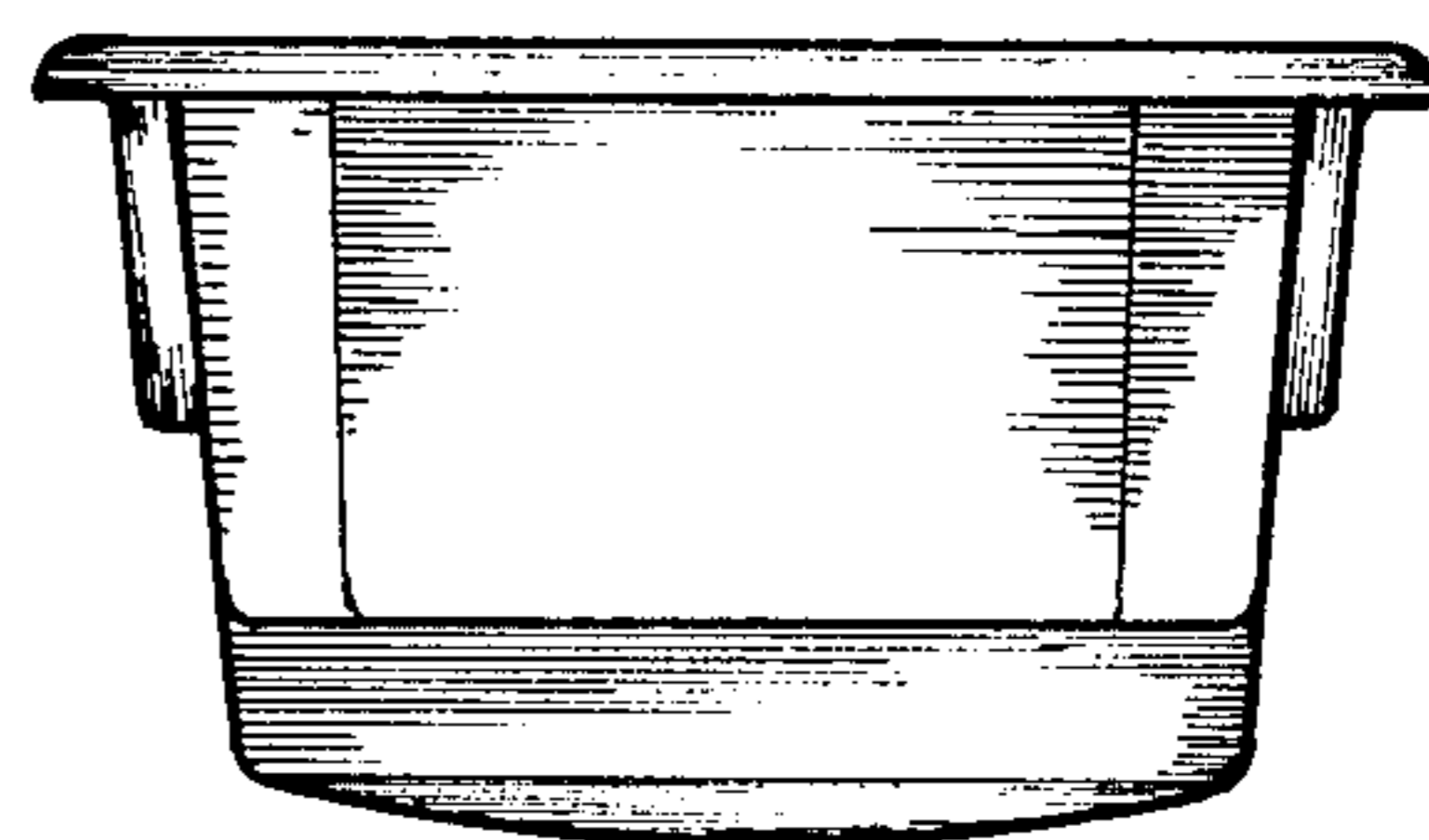


FIG. 5

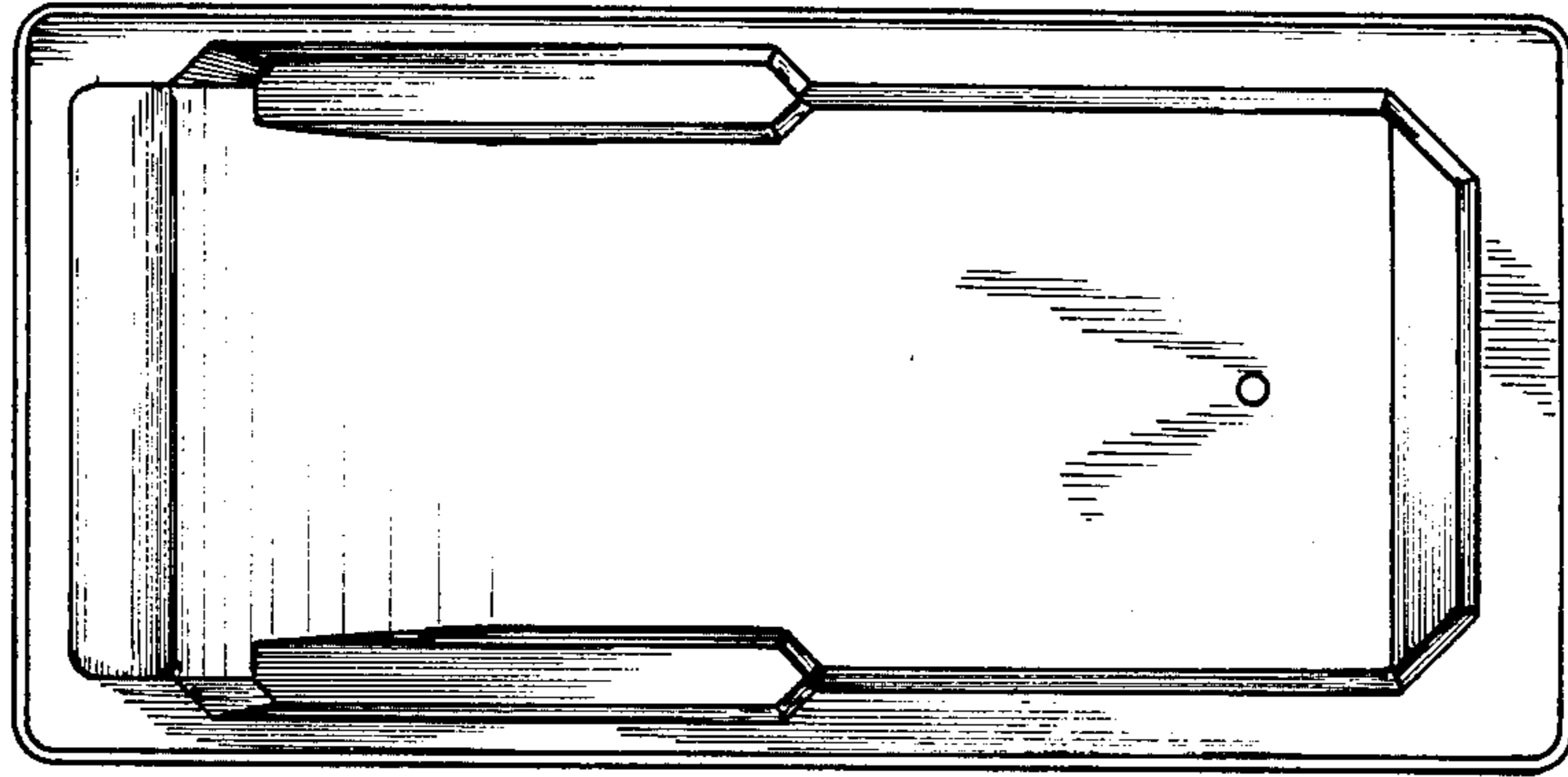


FIG. 6

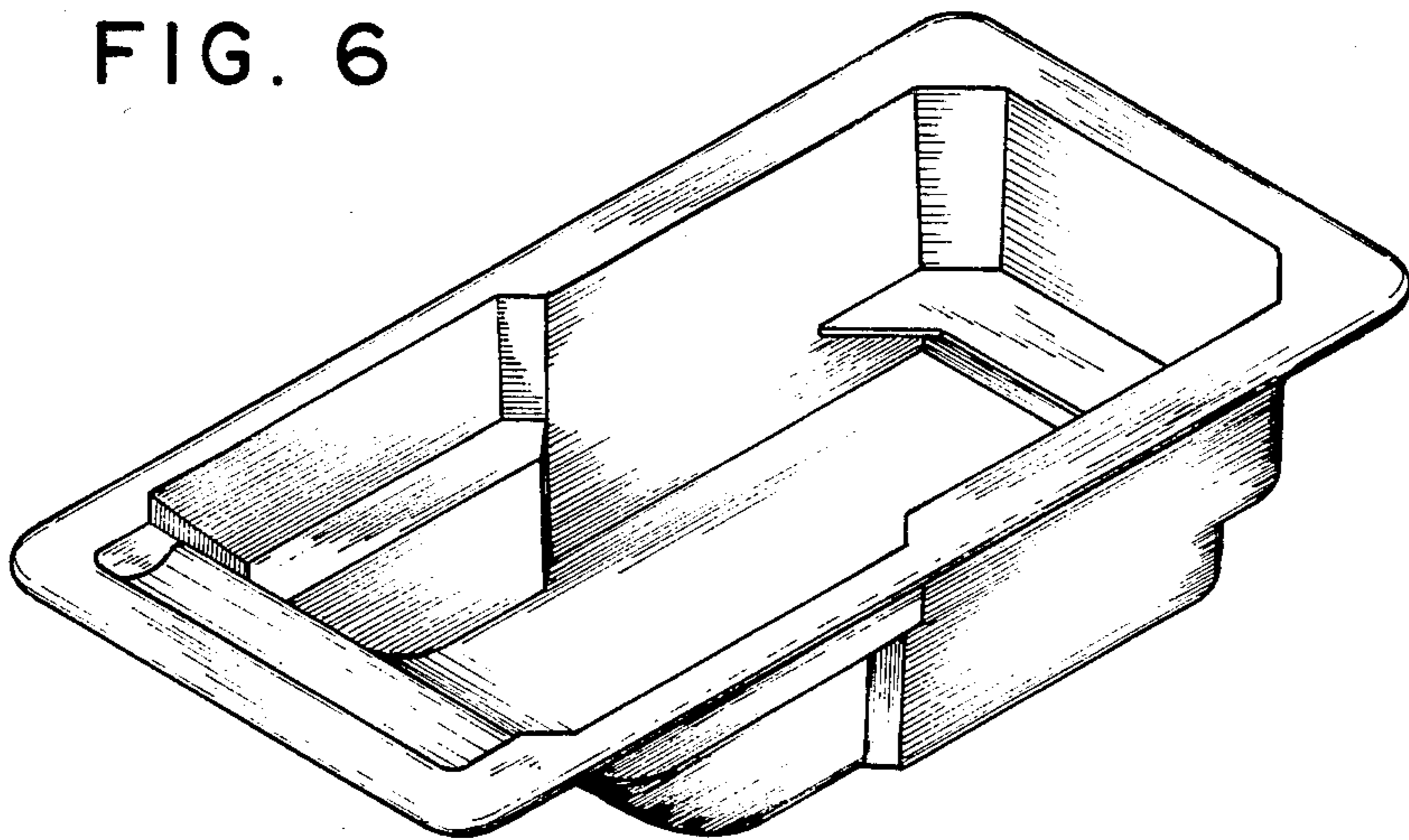


FIG. 7

