

[54] **LOADING TOOL FOR PISTOL BULLET CLIPS**

[76] Inventor: **Weston W. Crow**, 4001 Alta Dena La., San Jose, Calif. 95127

[\*\*] Term: **14 Years**

[21] Appl. No.: **856,146**

[22] Filed: **Apr. 21, 1986**

[52] U.S. Cl. .... **D22/108**

[58] Field of Search ..... **D22/108; 42/89, 90, 42/106**

[56] **References Cited**

**U.S. PATENT DOCUMENTS**

- D. 26,386 12/1896 Johnson ..... D22/108
- D. 30,630 4/1899 Caldwell ..... D25/119 X
- D. 271,321 11/1983 Cililiot et al. .... D22/108
- D. 282,680 2/1986 Boyles ..... D22/199

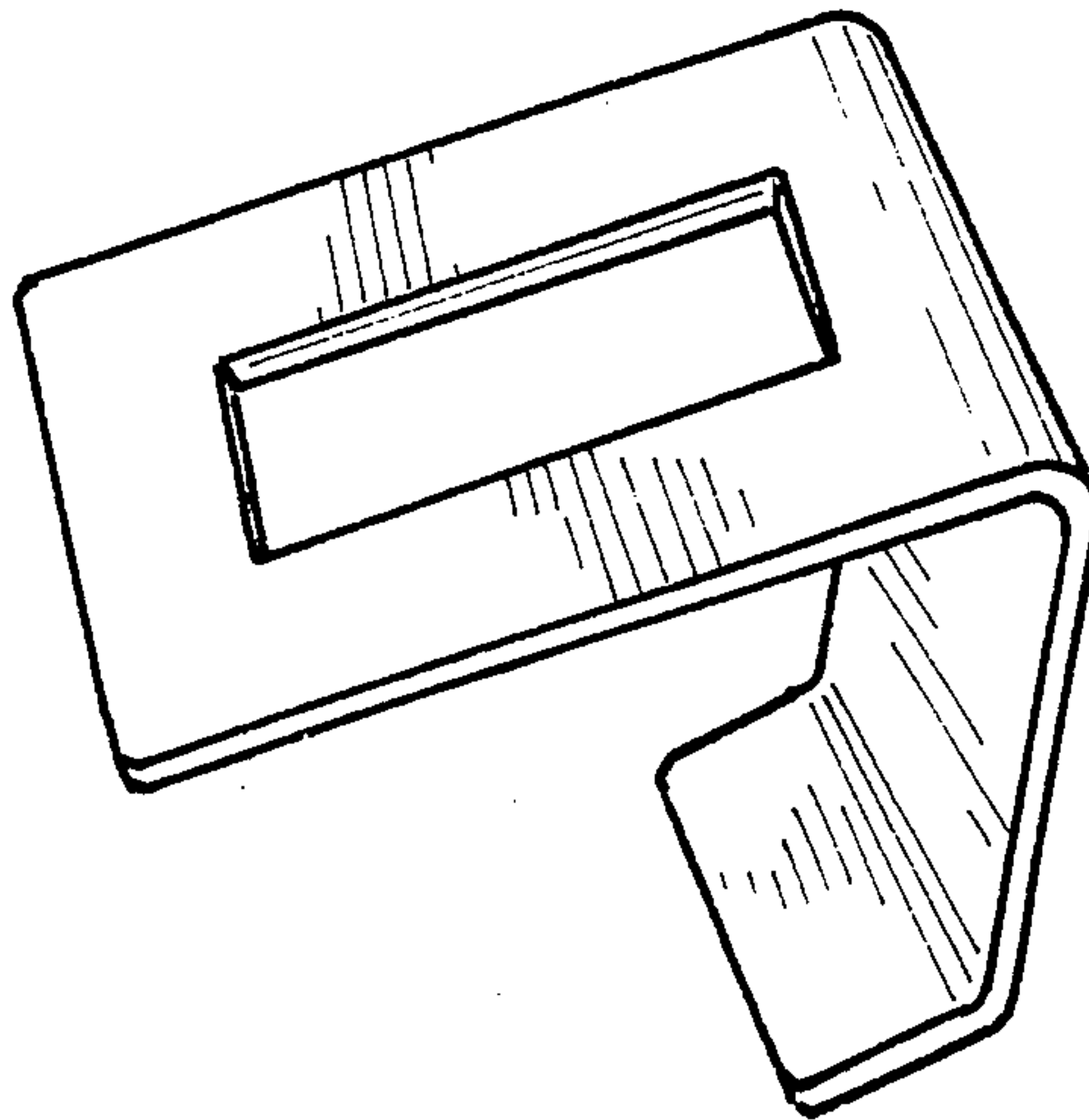
*Primary Examiner*—A. Hugo Word  
*Attorney, Agent, or Firm*—John J. Leavitt

[57] **CLAIM**

The ornamental design for a loading tool for pistol bullet clips, as shown and described.

**DESCRIPTION**

FIG. 1 is a perspective view of a loading tool for pistol bullet clips showing my new design;  
 FIG. 2 is a front elevation, the rear elevation being a mirror image thereof;  
 FIG. 3 is a top plan view;  
 FIG. 4 is a bottom plan view;  
 FIG. 5 is a left end view;  
 FIG. 6 is a right end view; and  
 FIG. 7 is a front elevational view thereof the broken line showing of the pistol bullet clip is for illustrative purposes only and forms no part of the claimed design.



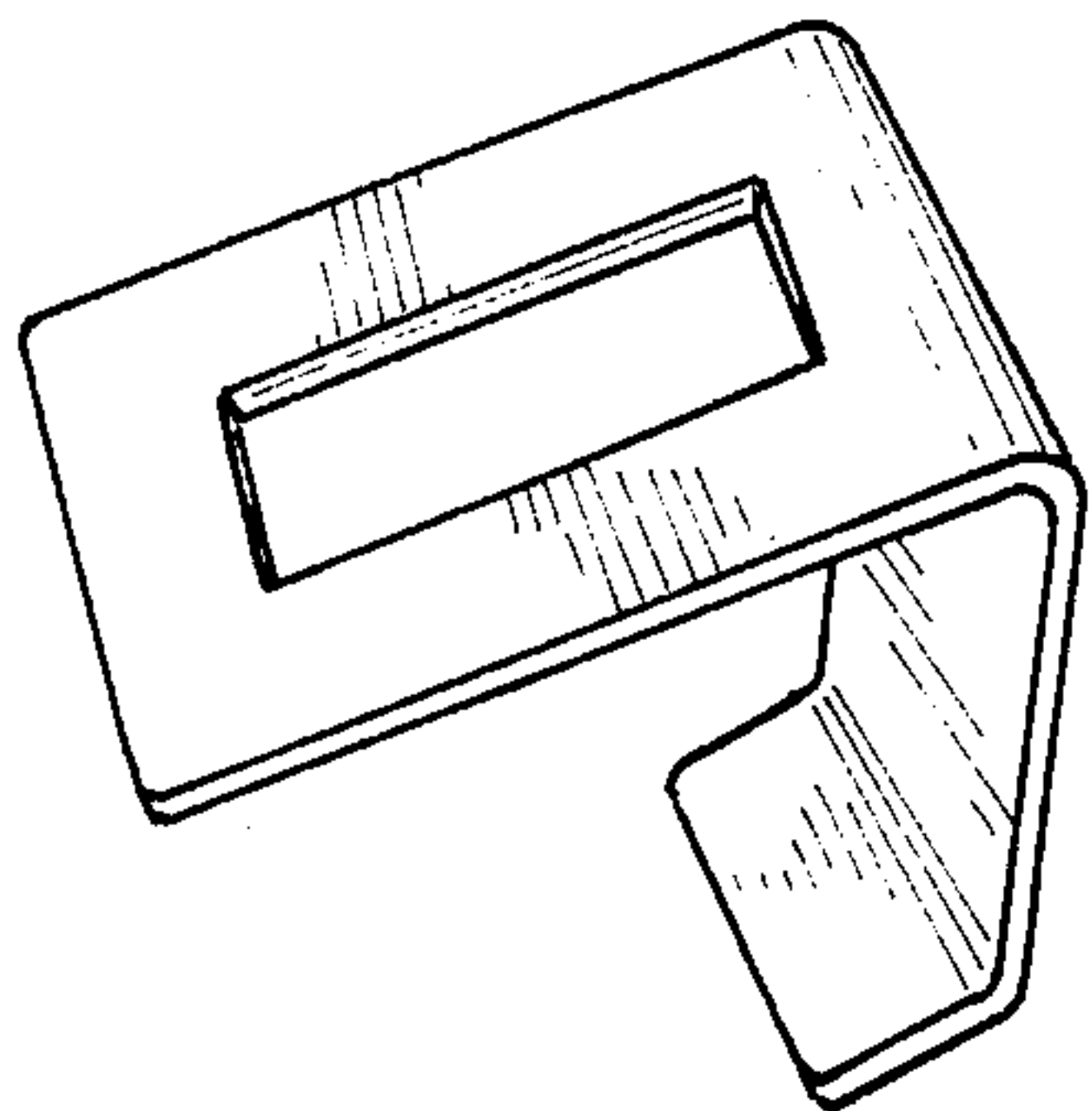


FIG. 1-

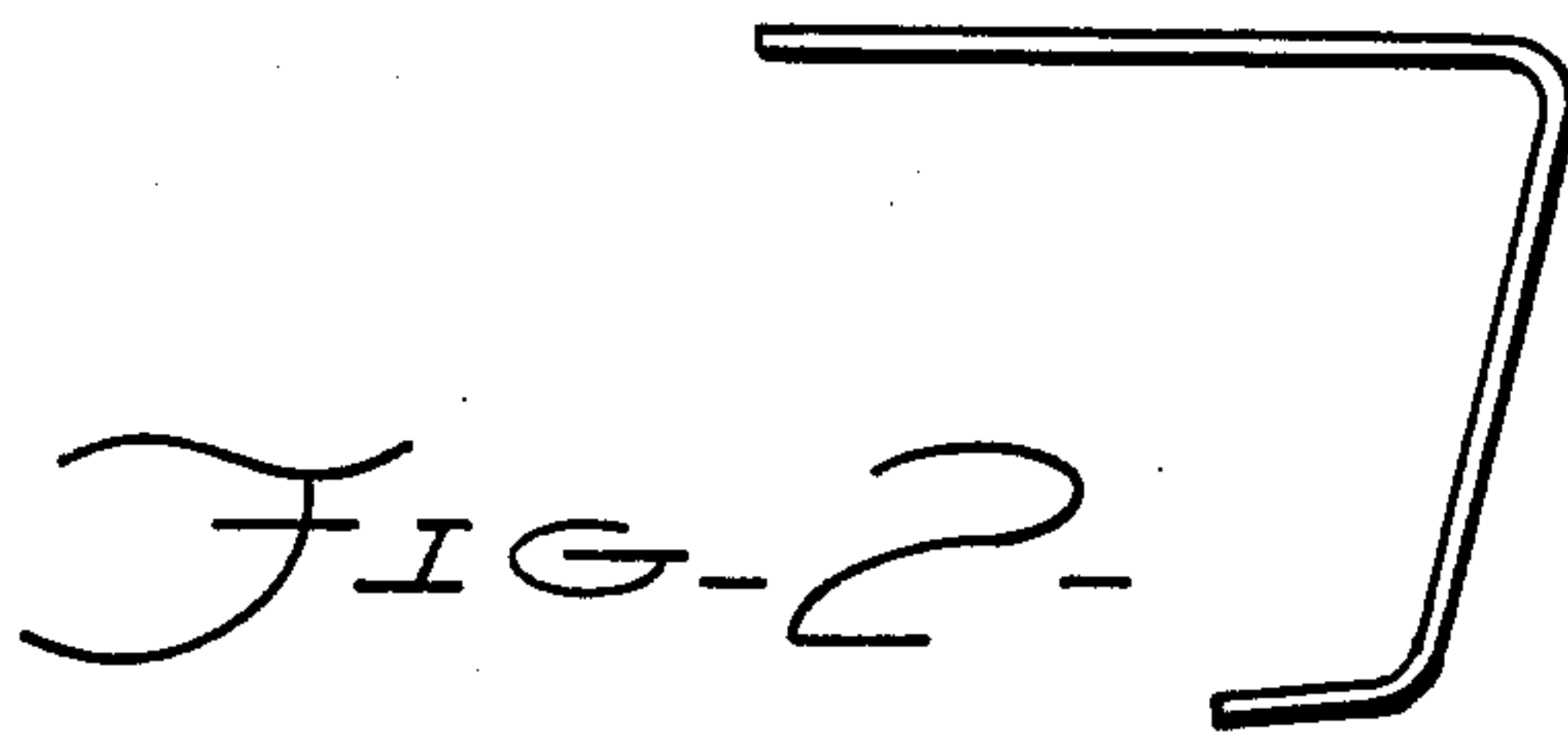


FIG. 2-

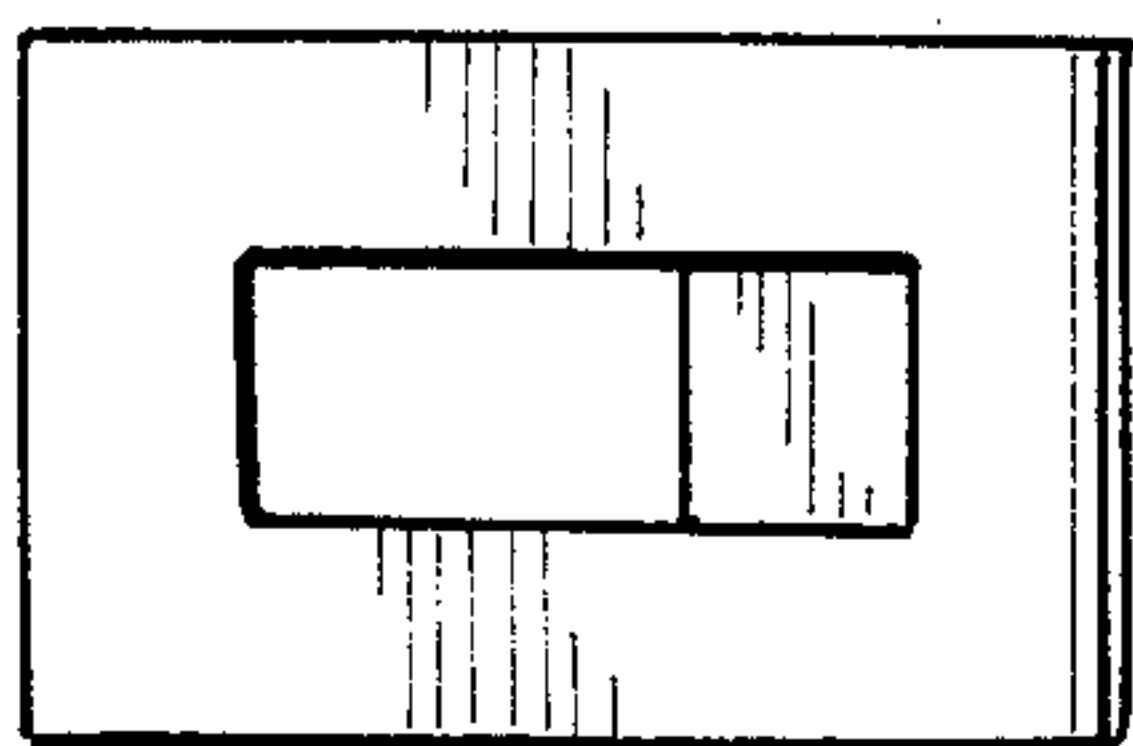


FIG. 3-

FIG. 4-

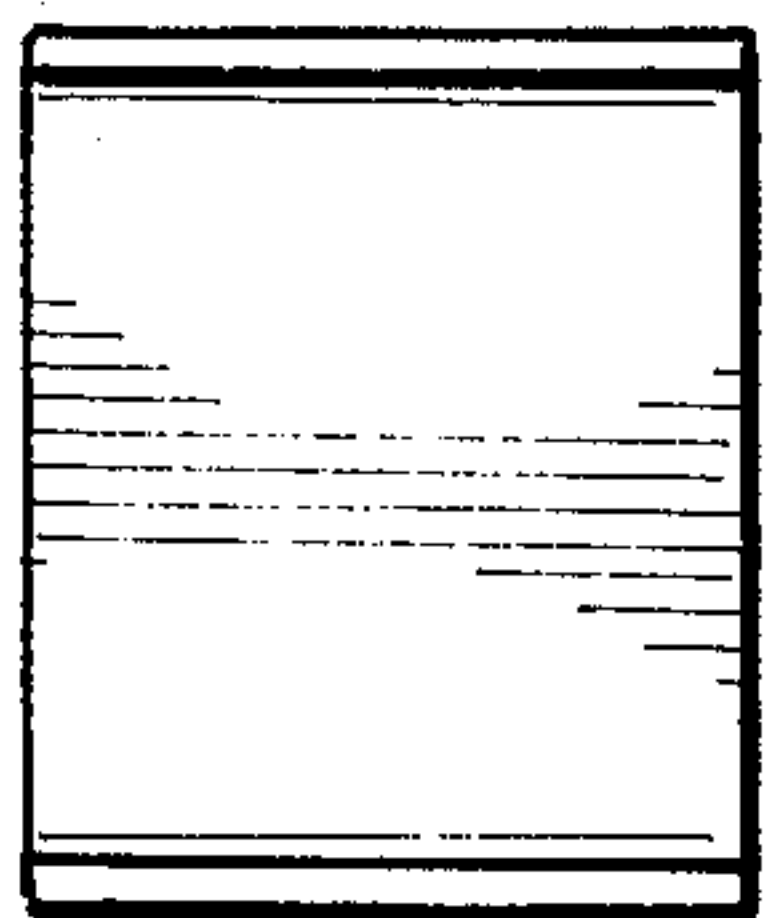
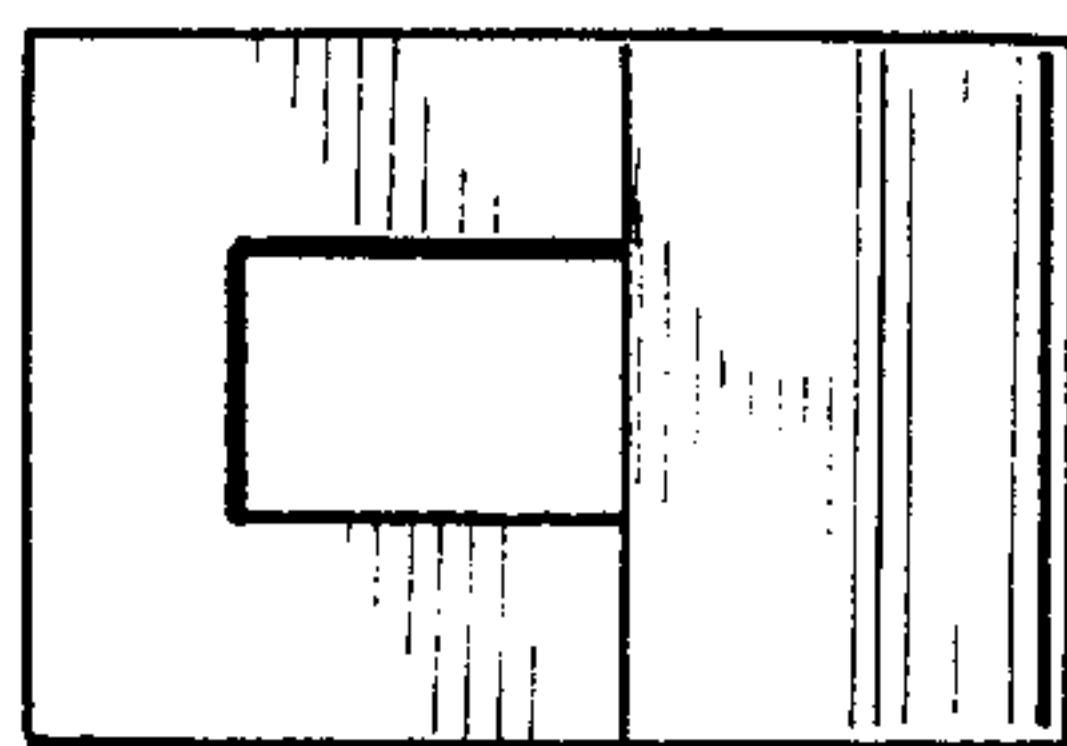


FIG. 5-

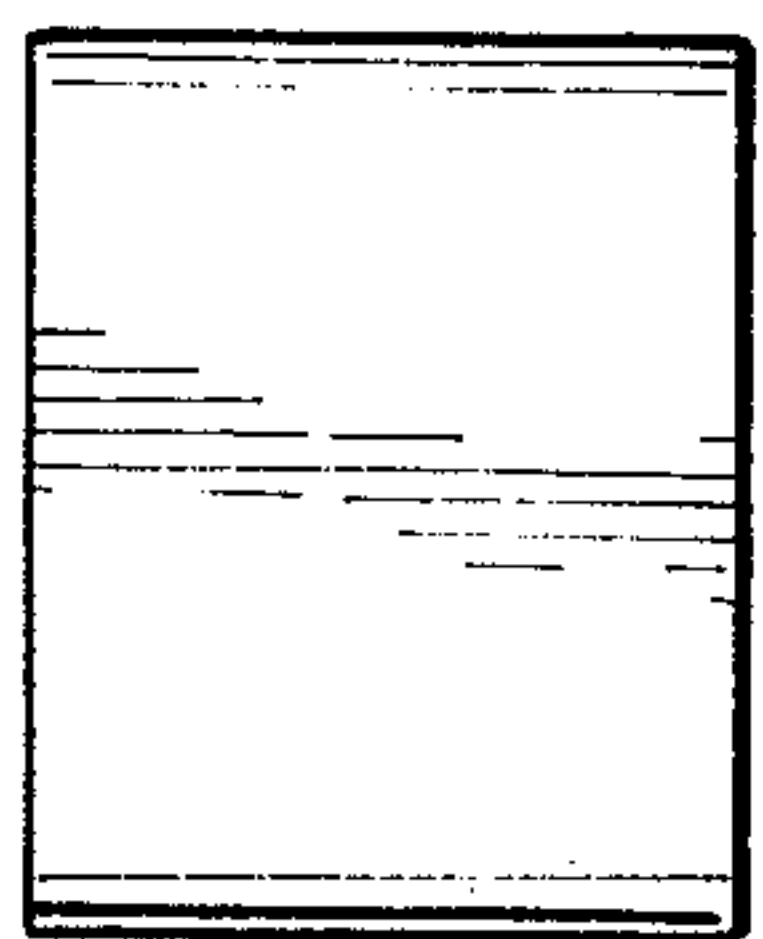


FIG. 6-

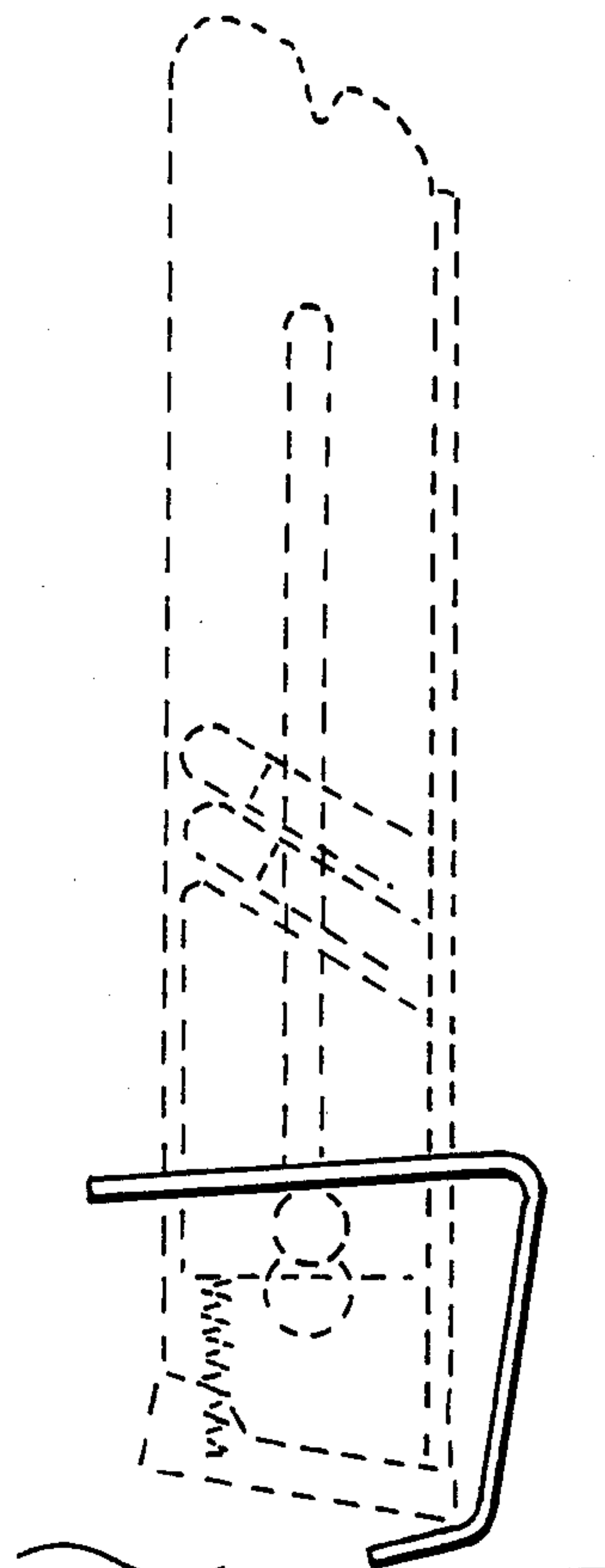


FIG. 7-