

[54] SEWING MACHINE

[75] Inventor: Yoshihide Yoneda, Osaka, Japan

[73] Assignee: Maruzen Sewing Machine Co., Ltd.,
Osaka, Japan

[**] Term: 14 Years

[21] Appl. No.: 6,092

[22] Filed: Jan. 21, 1987

Related U.S. Application Data

[62] Division of Ser. No. 625,533, Jun. 28, 1984.

[30] Foreign Application Priority Data

Mar. 23, 1984 [JP] Japan 59-11393

Apr. 6, 1984 [JP] Japan 59-13787

[52] U.S. Cl. D15/70

[58] Field of Search D15/66-77;
112/258-261, 63

[56] References Cited

U.S. PATENT DOCUMENTS

D. 250,649 12/1978 Hirano D15/70

D. 253,347 11/1979 Felix D15/70

D. 283,029 3/1986 David D15/69

3,552,340 1/1971 Frejard 112/258

4,055,131 10/1977 Peterson 112/258 X

4,220,103 9/1980 Kasahara et al. 112/260

4,434,736 3/1984 Szostak et al. 112/258

Primary Examiner—Melvin B. Feifer
Attorney, Agent, or Firm—Lowe, Price, LeBlanc,
Becker & Shur

[57] CLAIM

The ornamental design for a sewing machine, as shown.

DESCRIPTION

FIG. 1 is a top plan view of a sewing machine, showing my new design;

FIG. 2 is a front elevational view thereof;

FIG. 3 is a bottom plan view thereof;

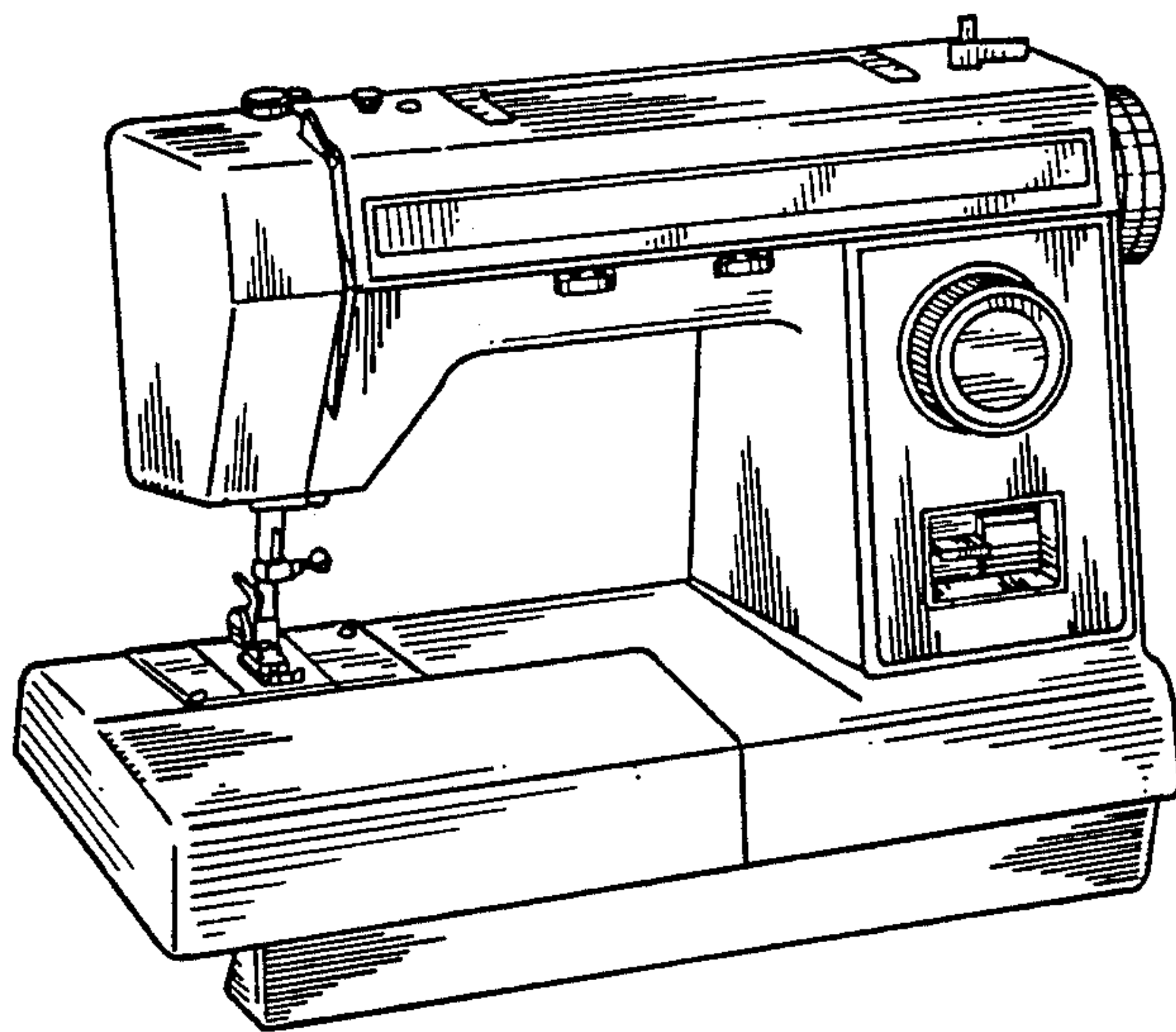
FIG. 4 is a rear elevational view thereof;

FIG. 5 is a left side elevational view thereof;

FIG. 6 is a right side elevational view thereof;

FIG. 7 is a front perspective view thereof;

FIG. 8 is a rear perspective view thereof, with the handle member in an upright position and with the spool holder member in a retracted position.



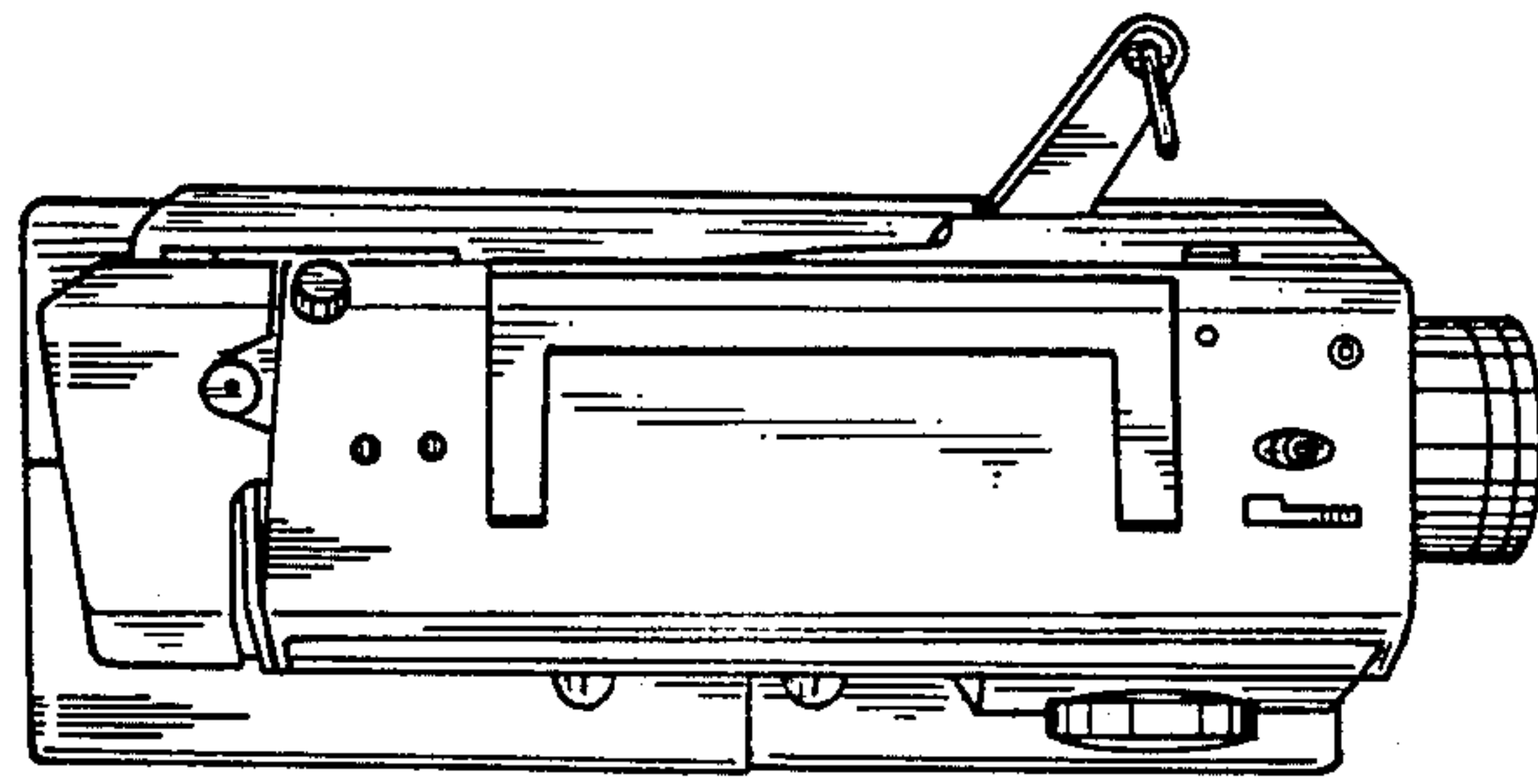


FIG. 1

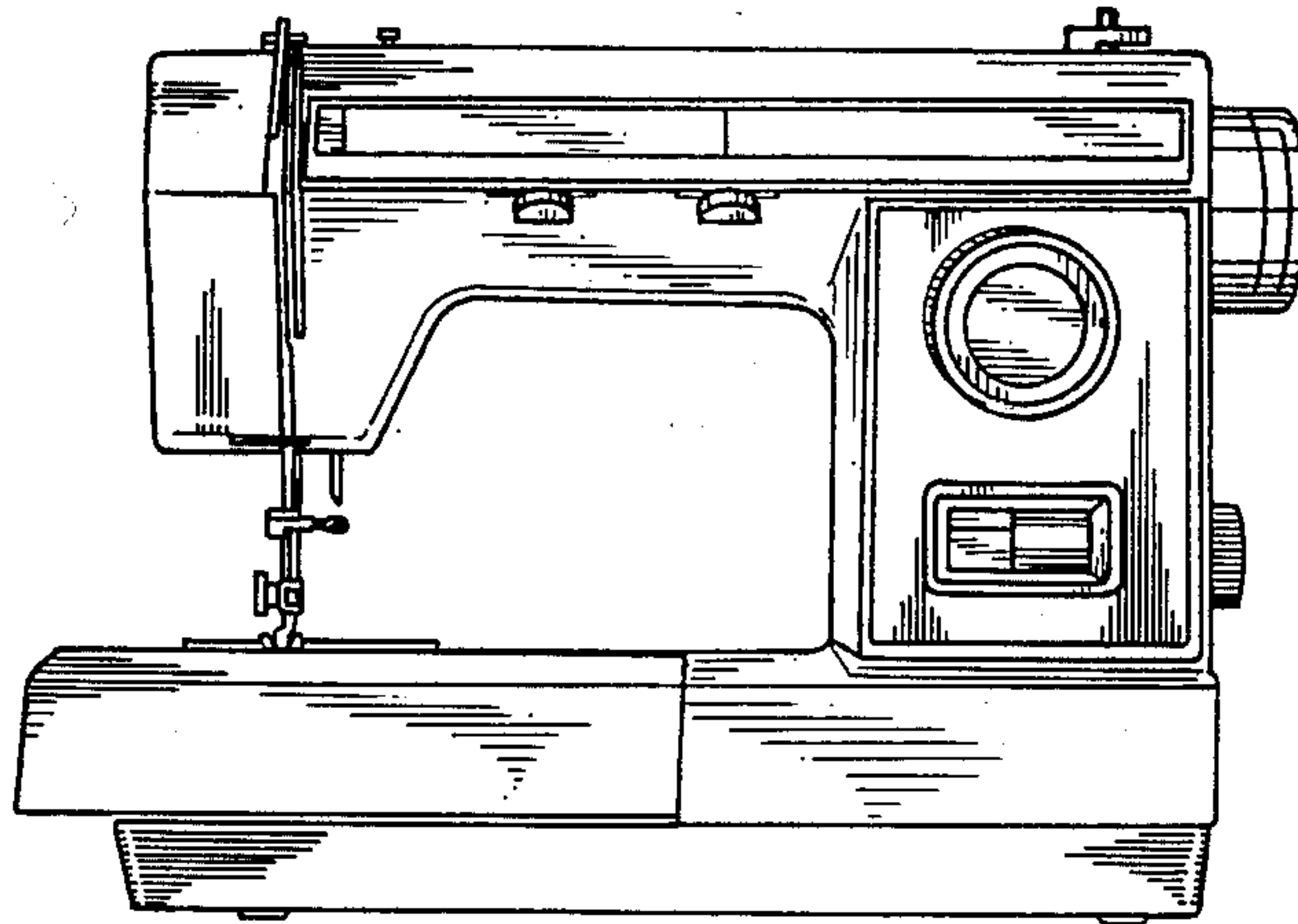


FIG. 2

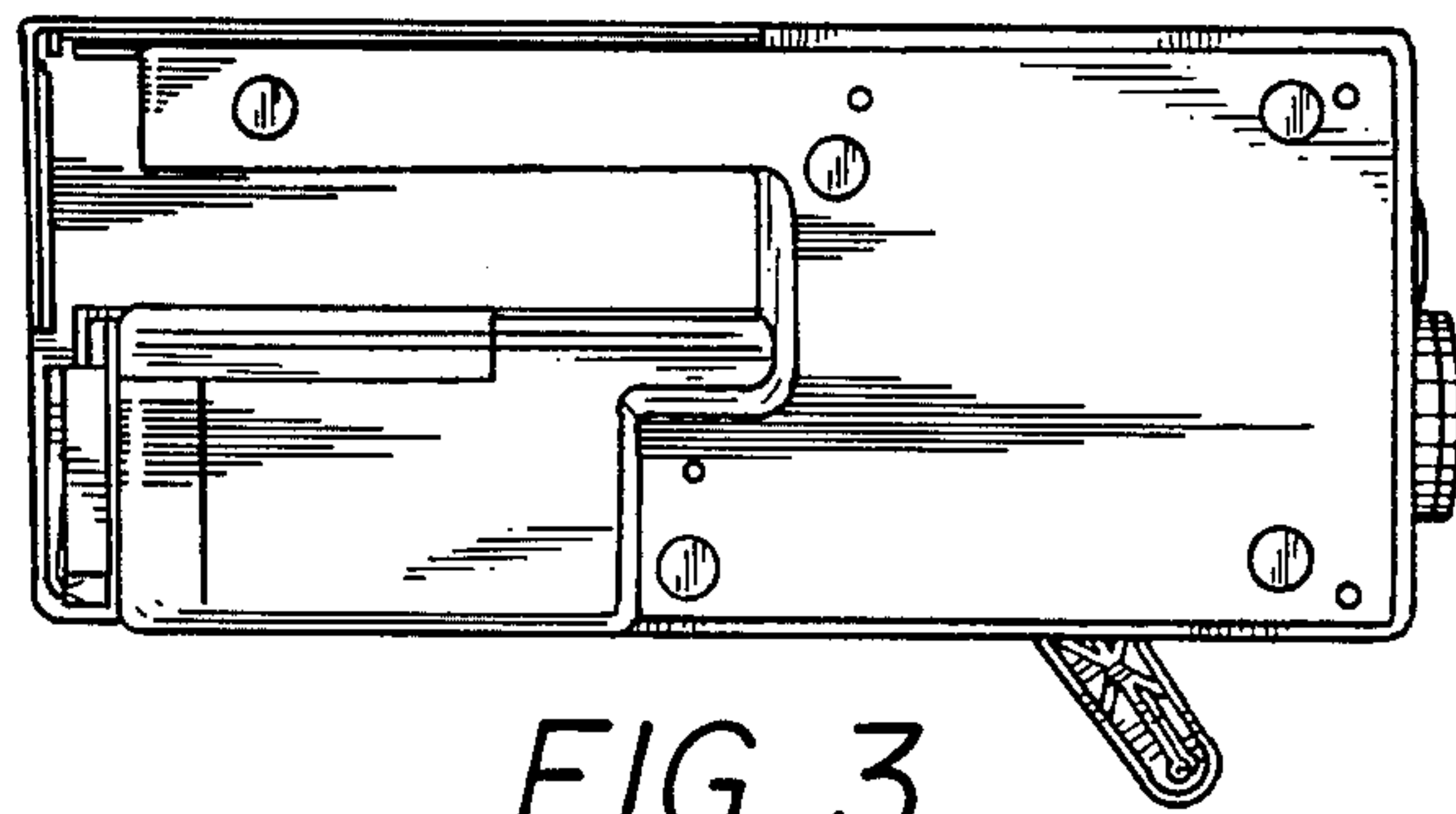


FIG. 3

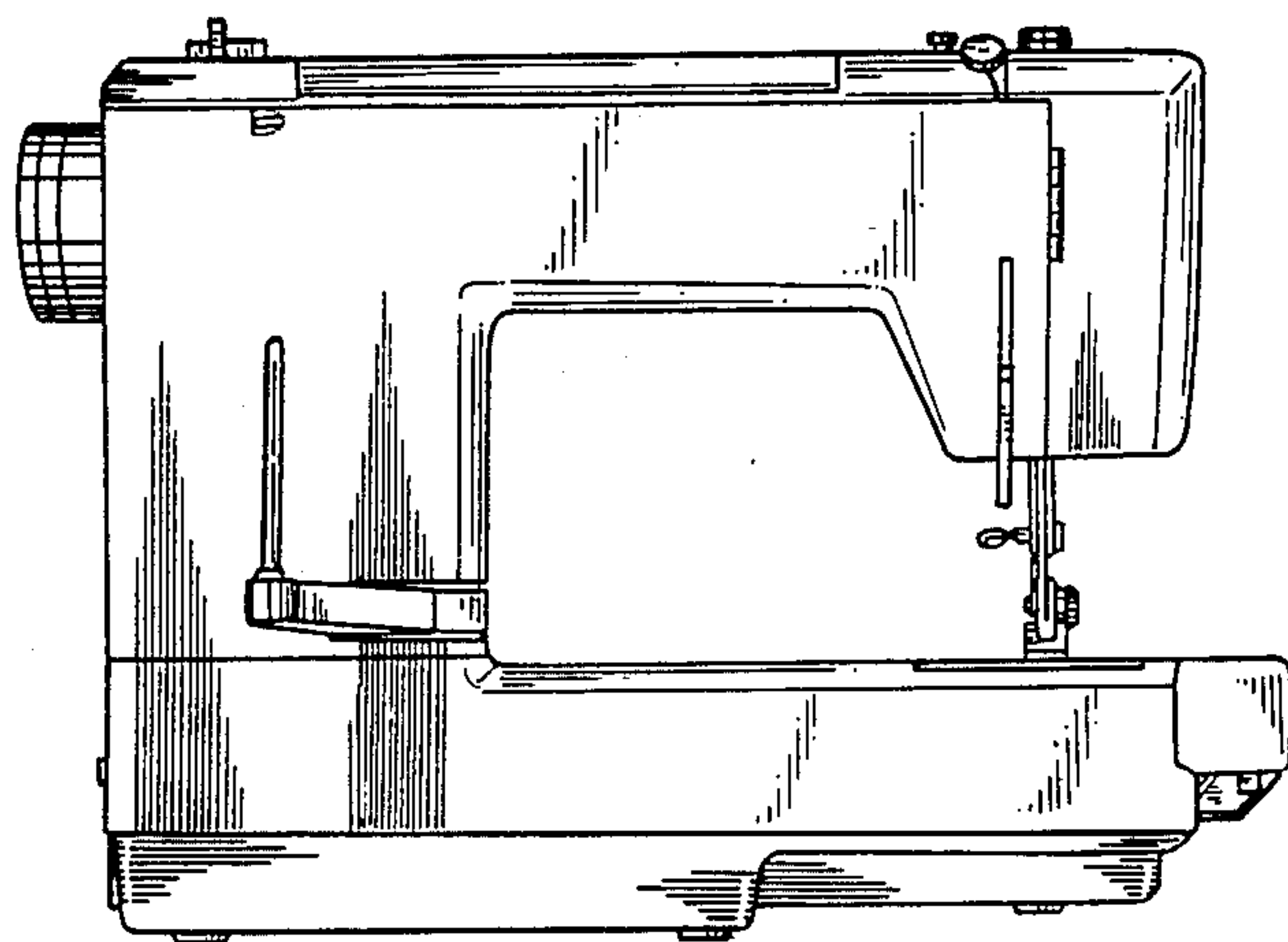


FIG. 4

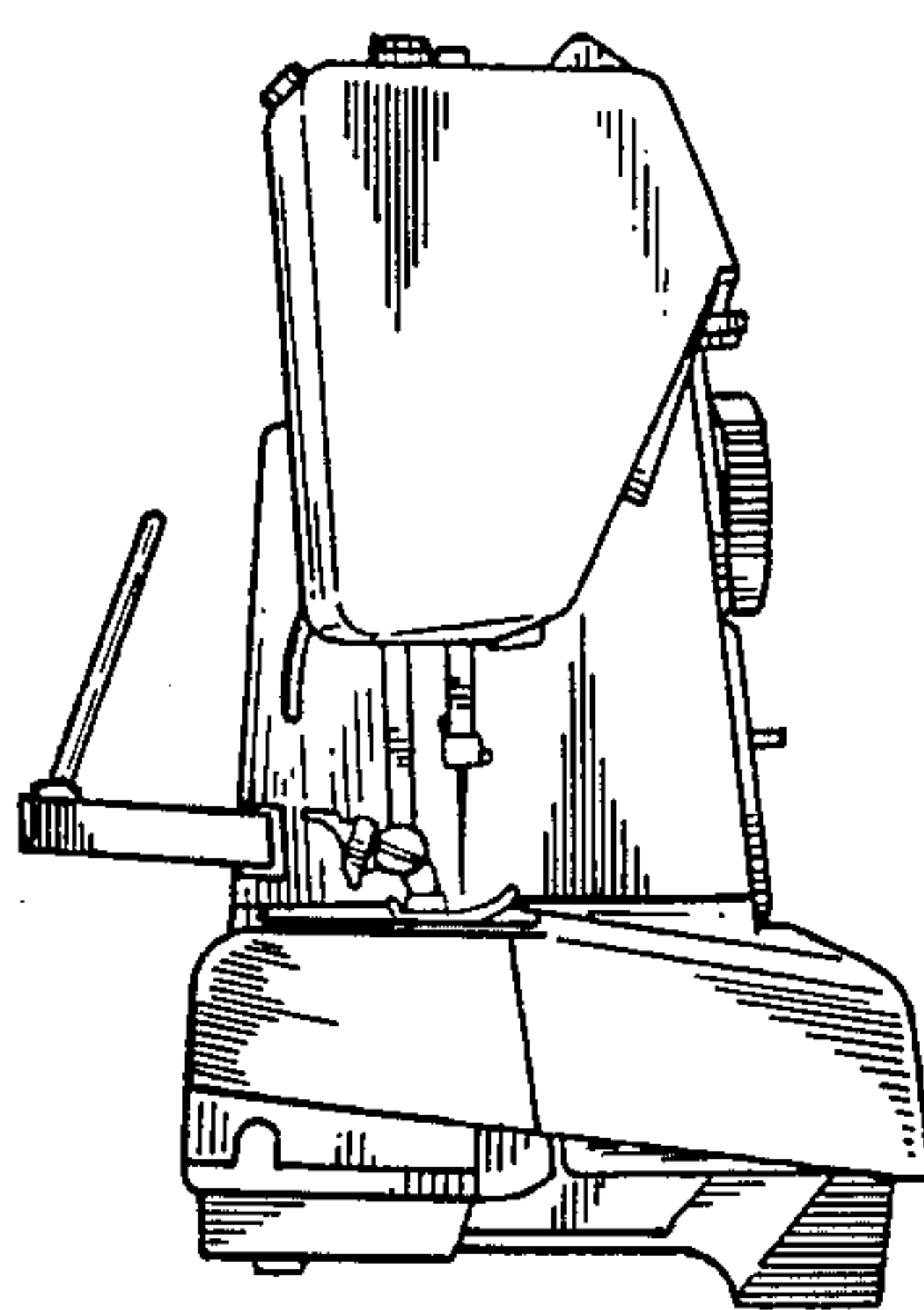


FIG. 5

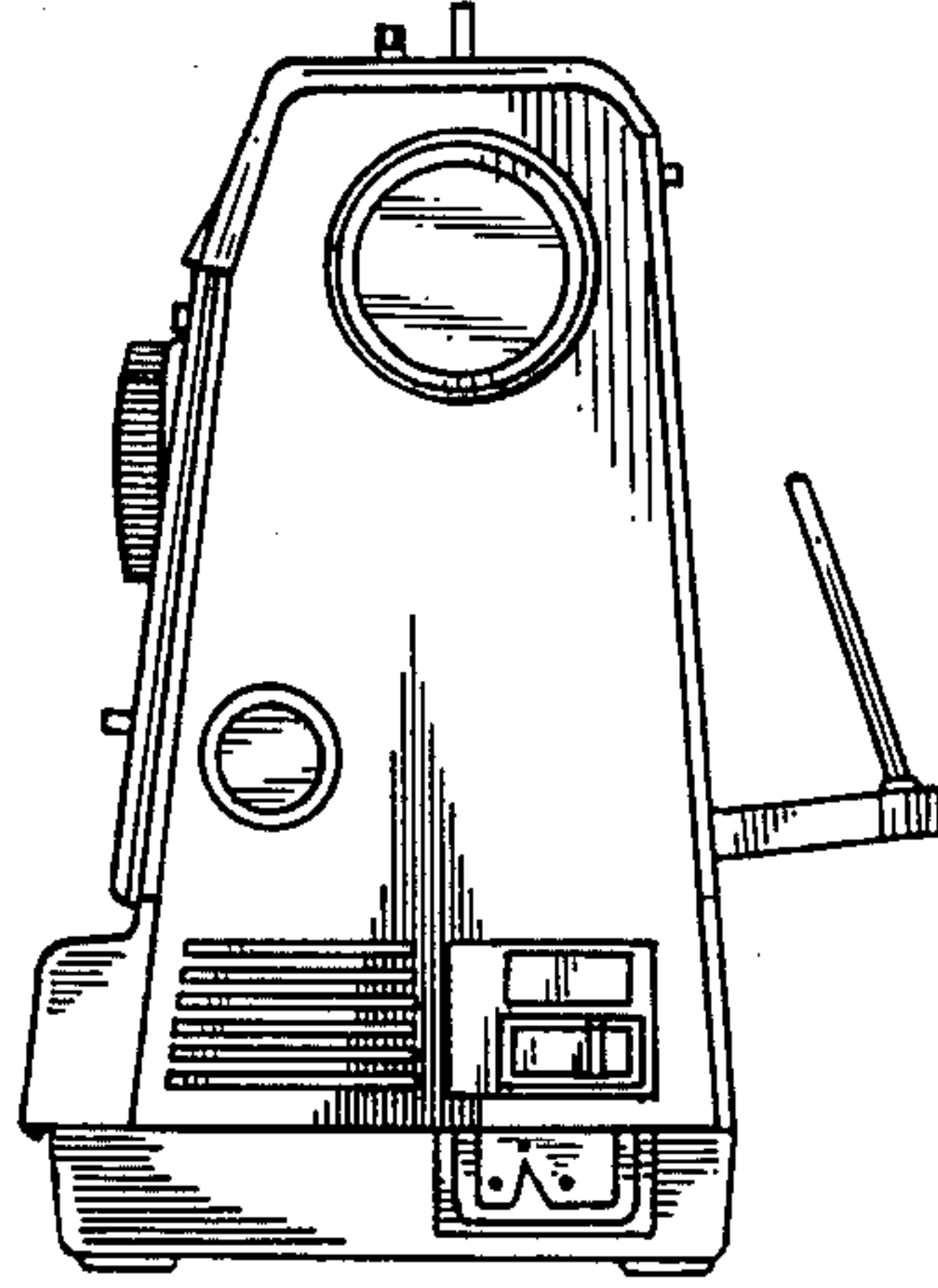


FIG. 6

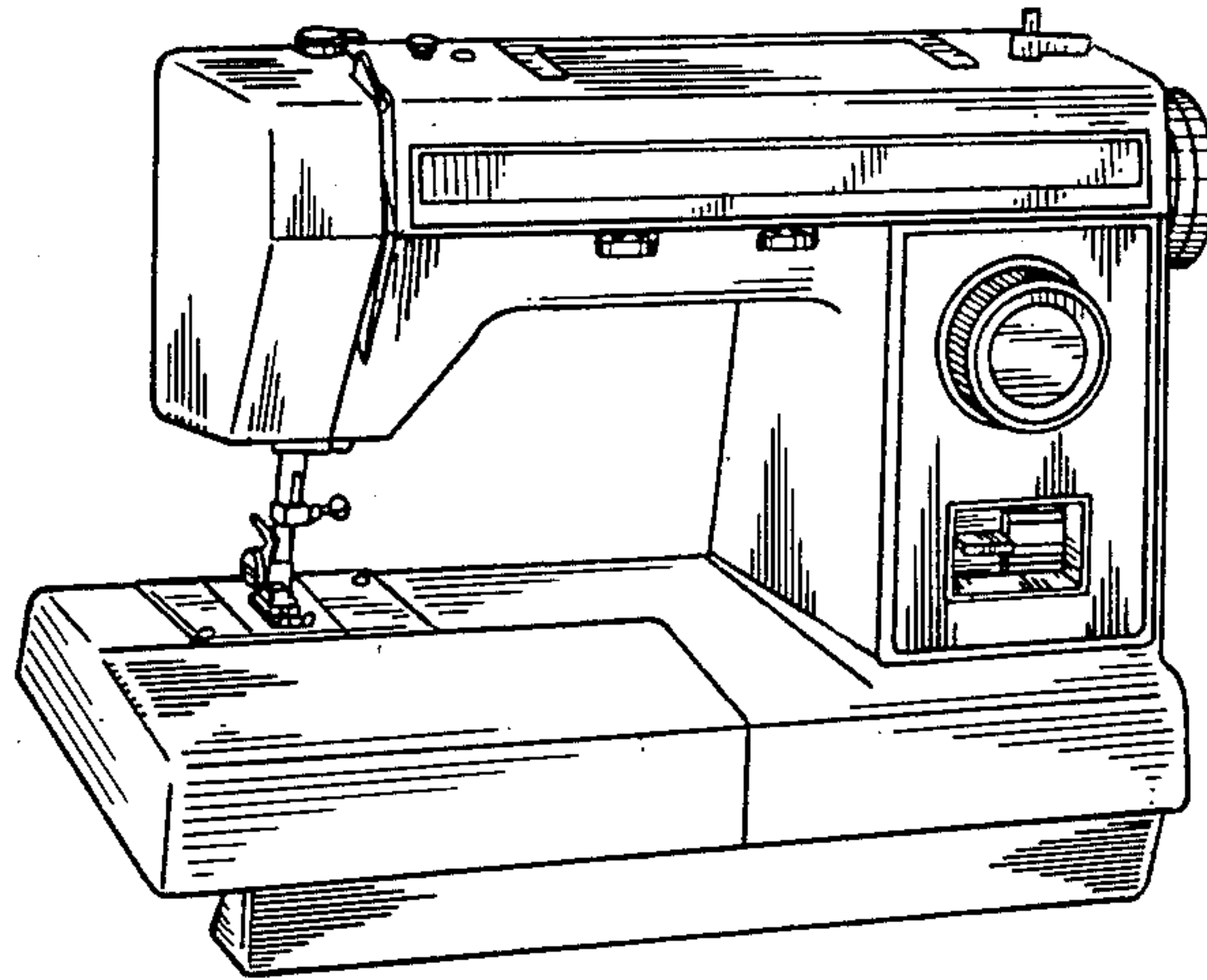


FIG. 7

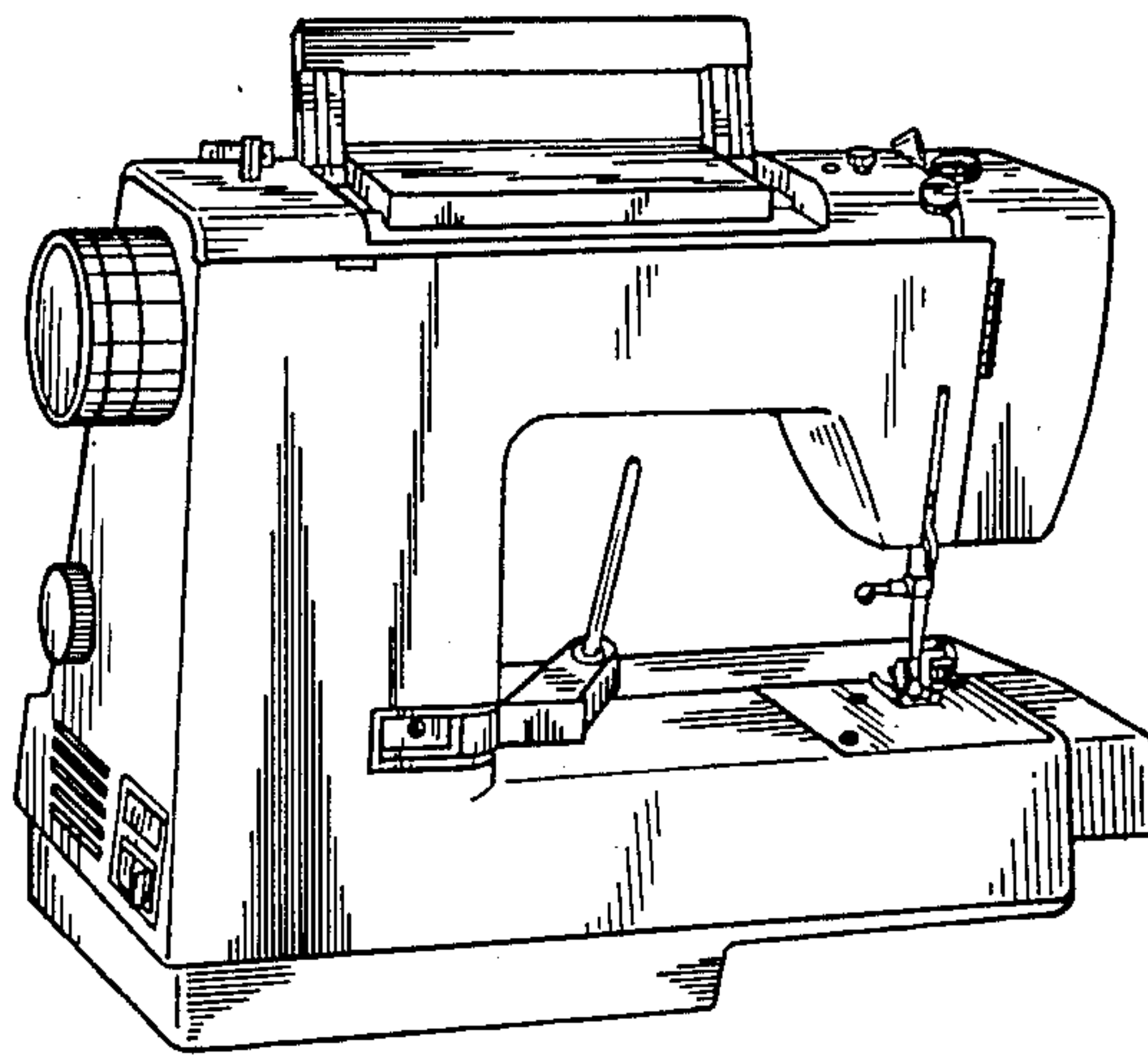


FIG. 8