

[54] STACKING TOY

[75] Inventors: Harry S. Thomson, Richmond; David M. Raffo; John A. Pape, both of Hitchin, England

[73] Assignee: Hestair Kiddicraft Limited, Bristol, England

[**] Term: 14 Years

[21] Appl. No.: 857,430

[22] Filed: Apr. 22, 1986

[30] Foreign Application Priority Data

Nov. 4, 1985 [GB] United Kingdom 1030231

[52] U.S. Cl. D21/59; D21/102; D21/173

[58] Field of Search D21/59, 63, 102, 173; 446/4, 168, 268, 308, 311, 324, 325, 396

[56] References Cited

U.S. PATENT DOCUMENTS

D. 162,864	4/1951	Nielsen et al.	D21/173
D. 254,922	5/1980	Walker	D21/173
D. 269,687	7/1983	Nakao et al.	D21/173
D. 273,025	3/1984	Emms et al.	D21/173
2,949,692	8/1960	Kuhn	446/69
4,604,073	8/1986	Livesey et al.	446/396

Primary Examiner—Charles A. Rademaker

[57] CLAIM

The ornamental design for a stacking toy, as shown and described.

DESCRIPTION

FIG. 1 is a front elevational view of a stacking toy showing our new design;

FIG. 2 is a rear elevational view thereof;

FIG. 3 is a side elevational view thereof, the side opposite being substantially a mirror image;

FIG. 4 is a top plan view thereof;

FIG. 5 is a bottom plan view thereof.

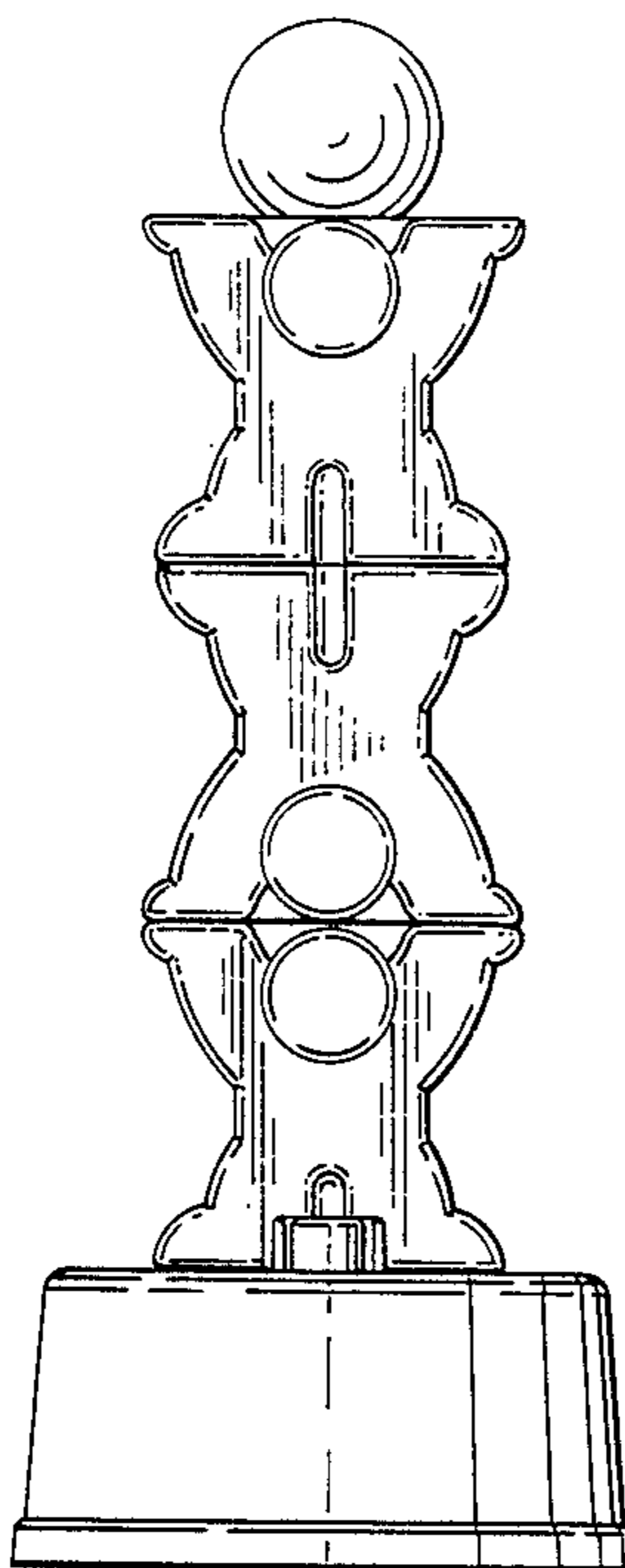


FIG. 1.

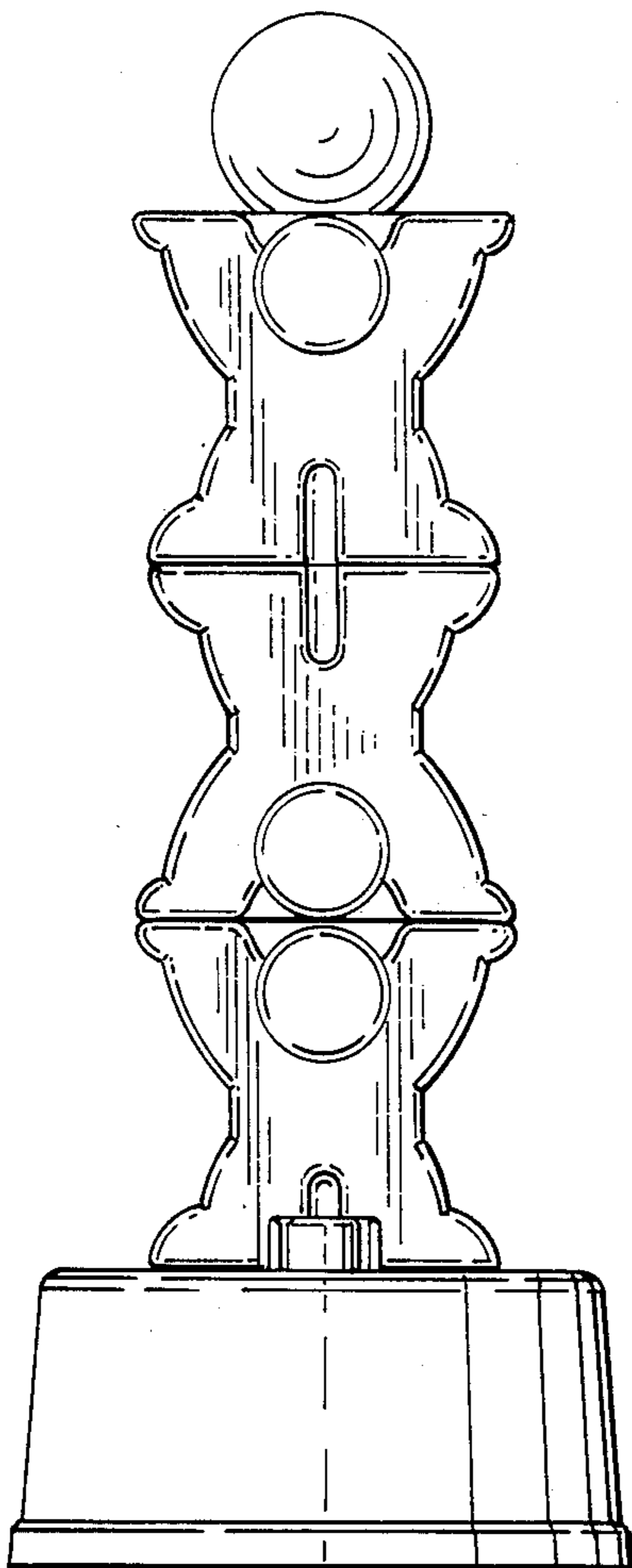


FIG. 2.

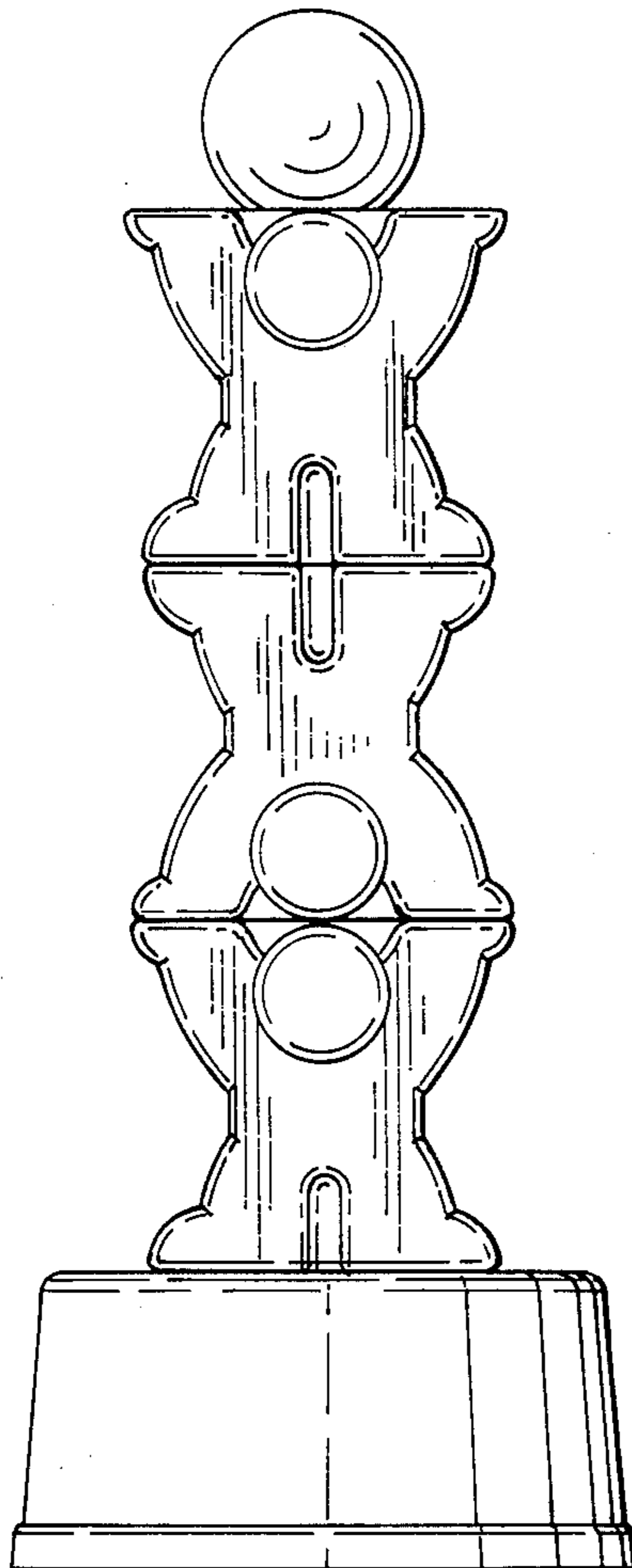


FIG. 3.

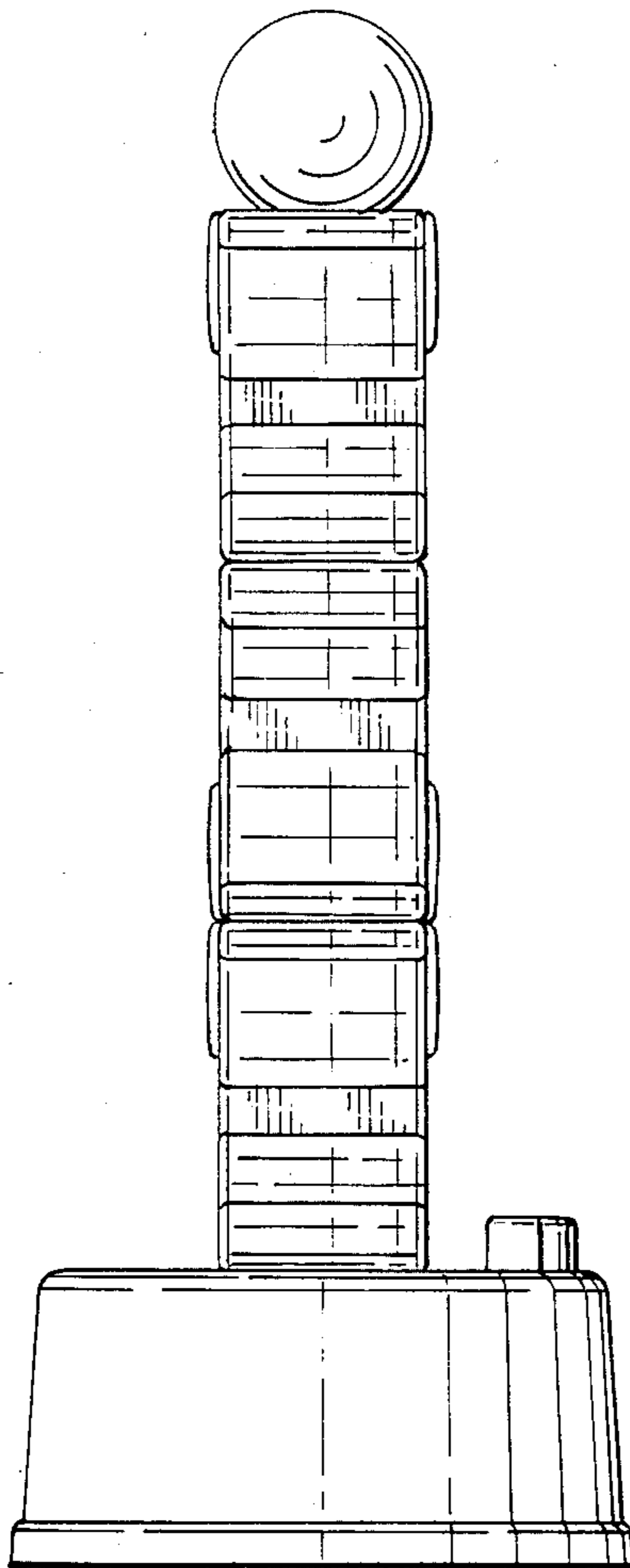


FIG. 4.

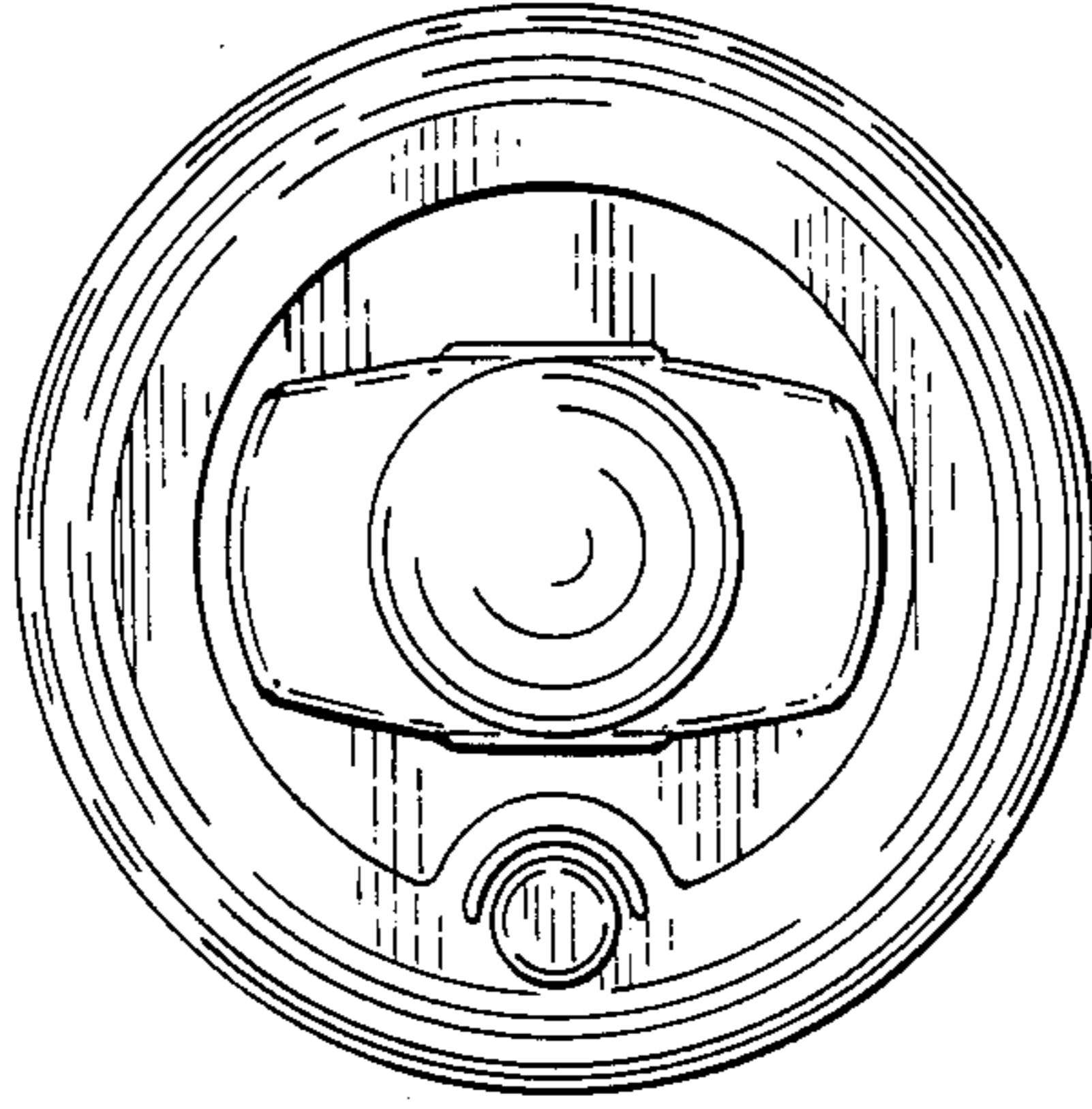


FIG. 5.

