

[54] VIDEO FILM RECORDER

[75] Inventors: Arthur J. Sable; Jeffrey T. Samson, both of Boulder, Colo.

[73] Assignee: Sable Instruments, Inc., Boulder, Colo.

[**] Term: 14 Years

[21] Appl. No.: 822,788

[22] Filed: Jan. 27, 1986

[52] U.S. Cl. D16/221; D16/237; D24/7

[58] Field of Search D16/27-32, D16/2, 1, 38; 354/81-83; 355/20, 27, 39, 45

[56] References Cited

U.S. PATENT DOCUMENTS

D. 219,250 11/1970 Olson D24/17

D. 277,835	3/1985	Nonnast	D10/81
3,673,936	7/1972	Stone	355/20 X
3,700,322	10/1972	Morita	355/20 X
3,743,412	7/1973	Morse	355/20 X
4,521,104	6/1985	Craig	355/20

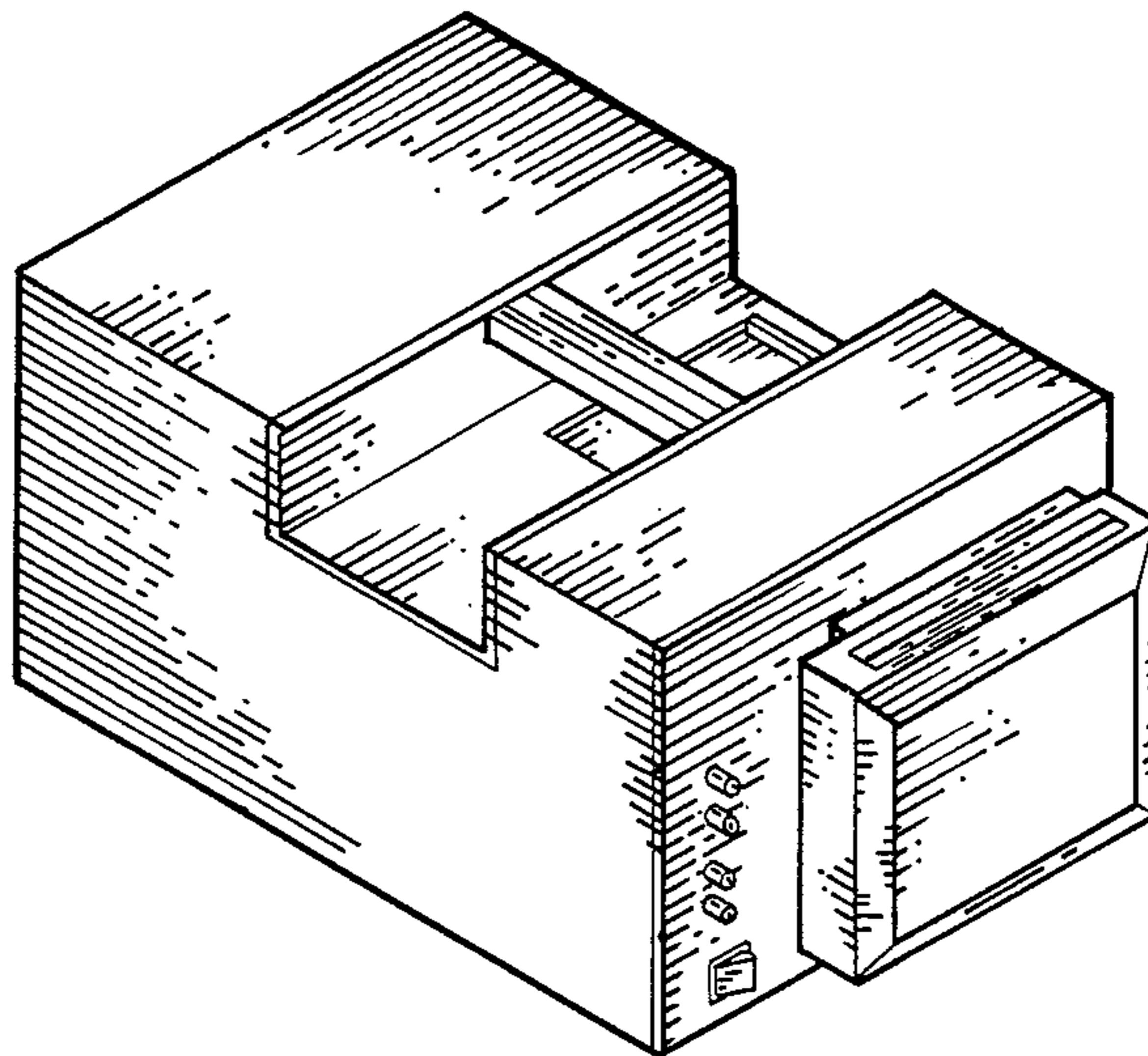
Primary Examiner—Nelson C. Holtje
Attorney, Agent, or Firm—Donald W. Margolis

[57] CLAIM

The ornamental design for a video film recorder, as shown and described.

DESCRIPTION

FIG. 1 is a front and top-left perspective view of a video film recorder showing our new design; FIG. 2 is a rear and bottom right perspective view thereof; FIG. 3 is top plan view thereof; FIG. 4 is a left side elevational view thereof; and FIG. 5 is a front elevational view thereof.



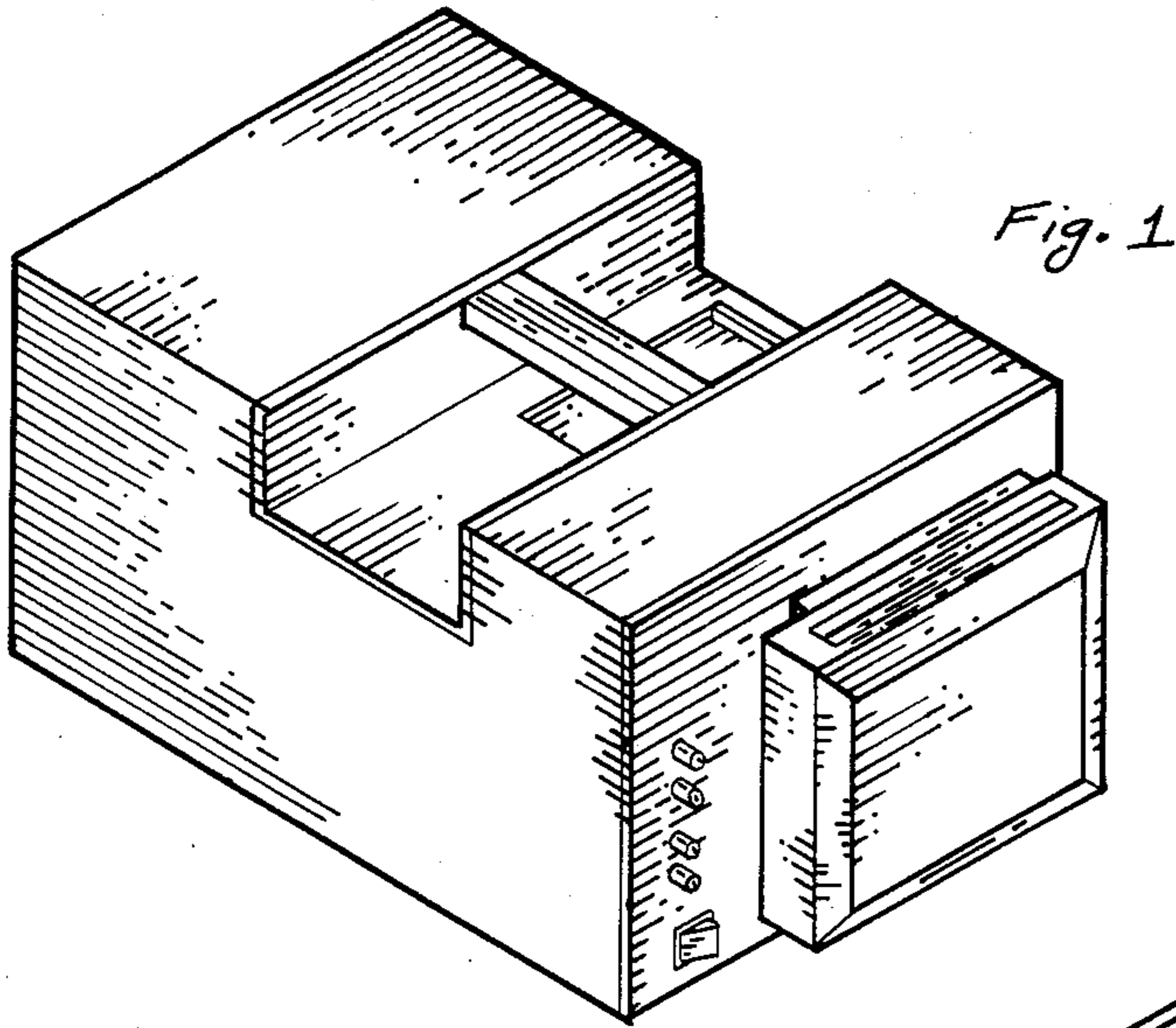


Fig. 2

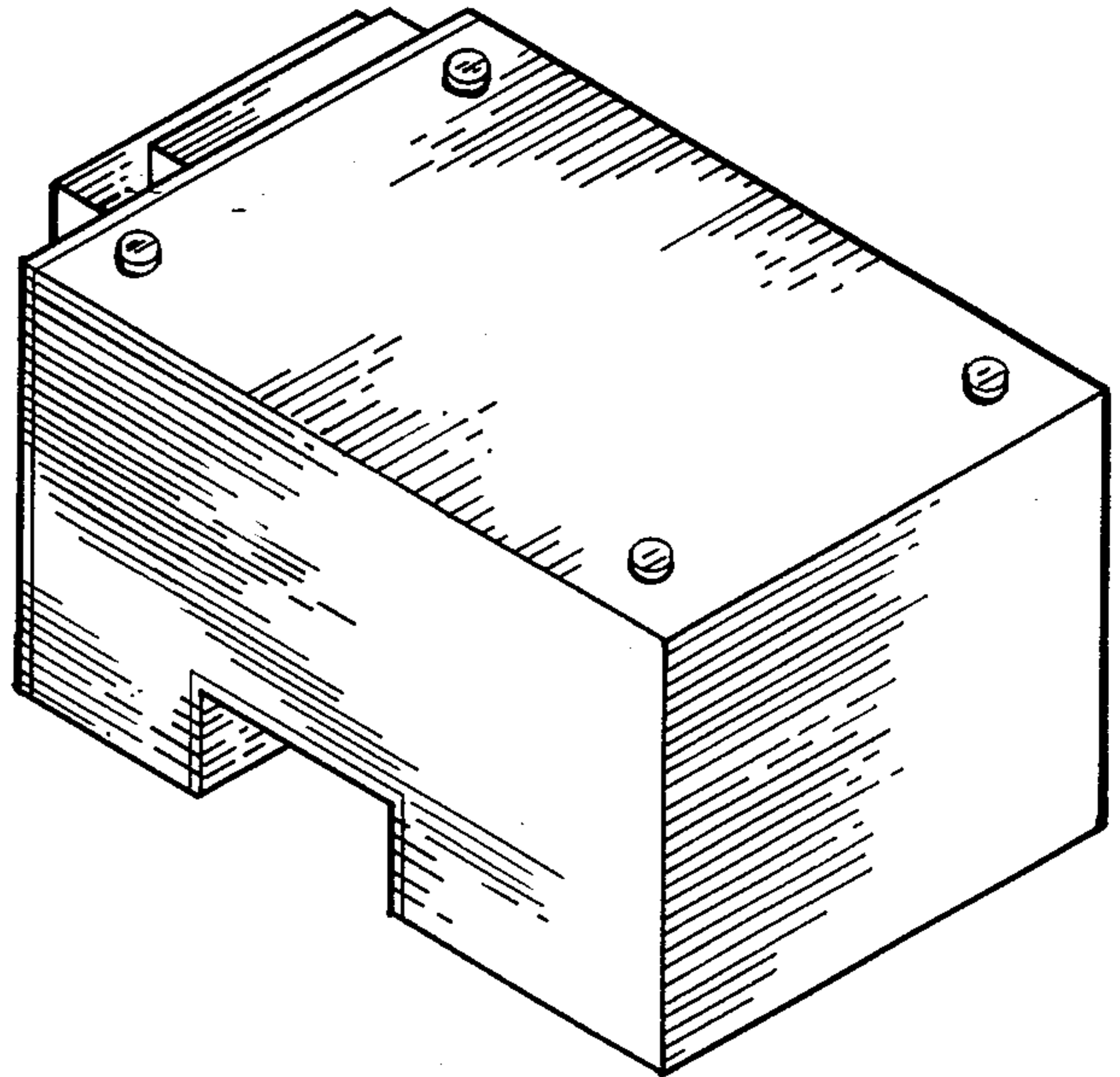


Fig. 3

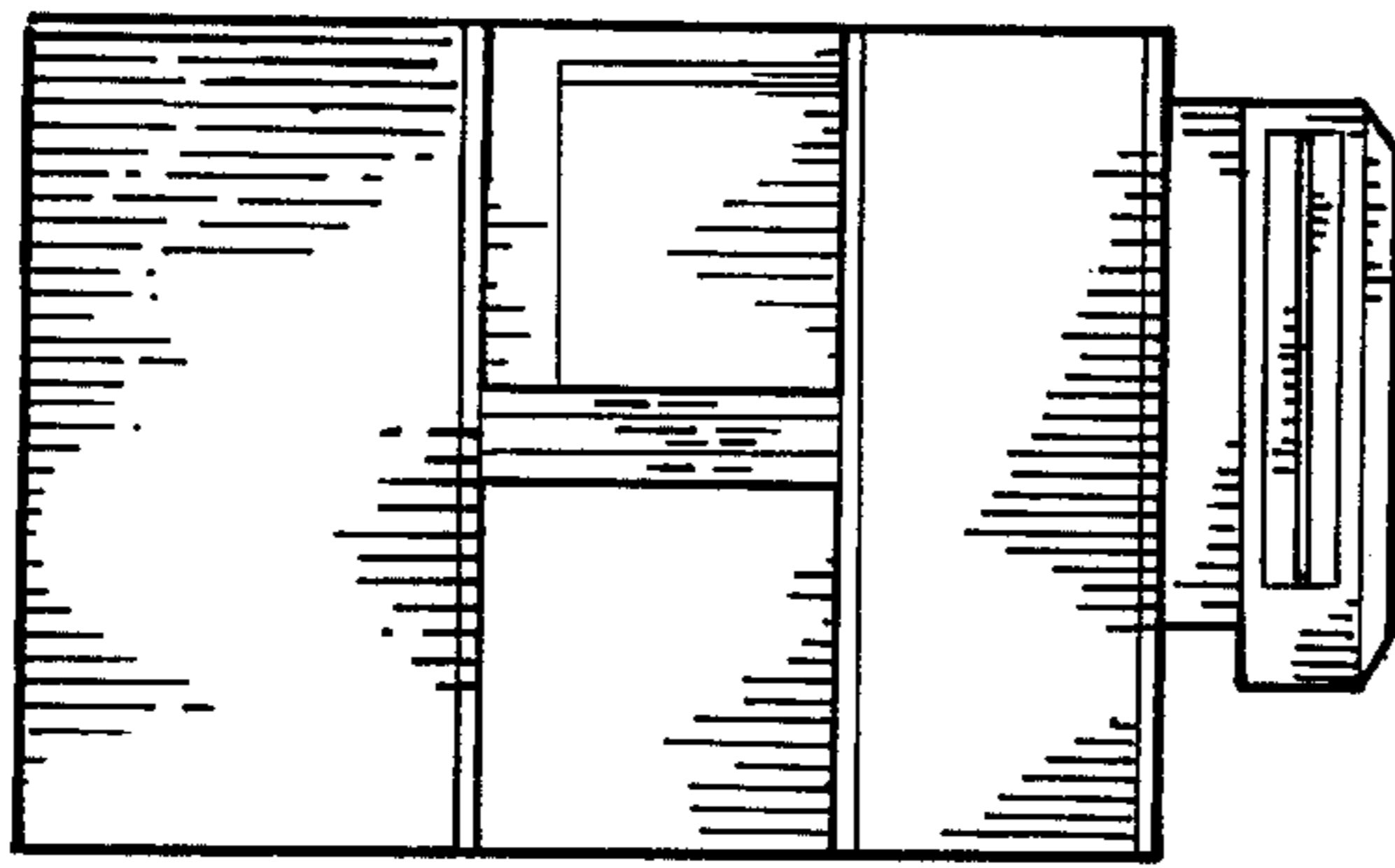


Fig. 4

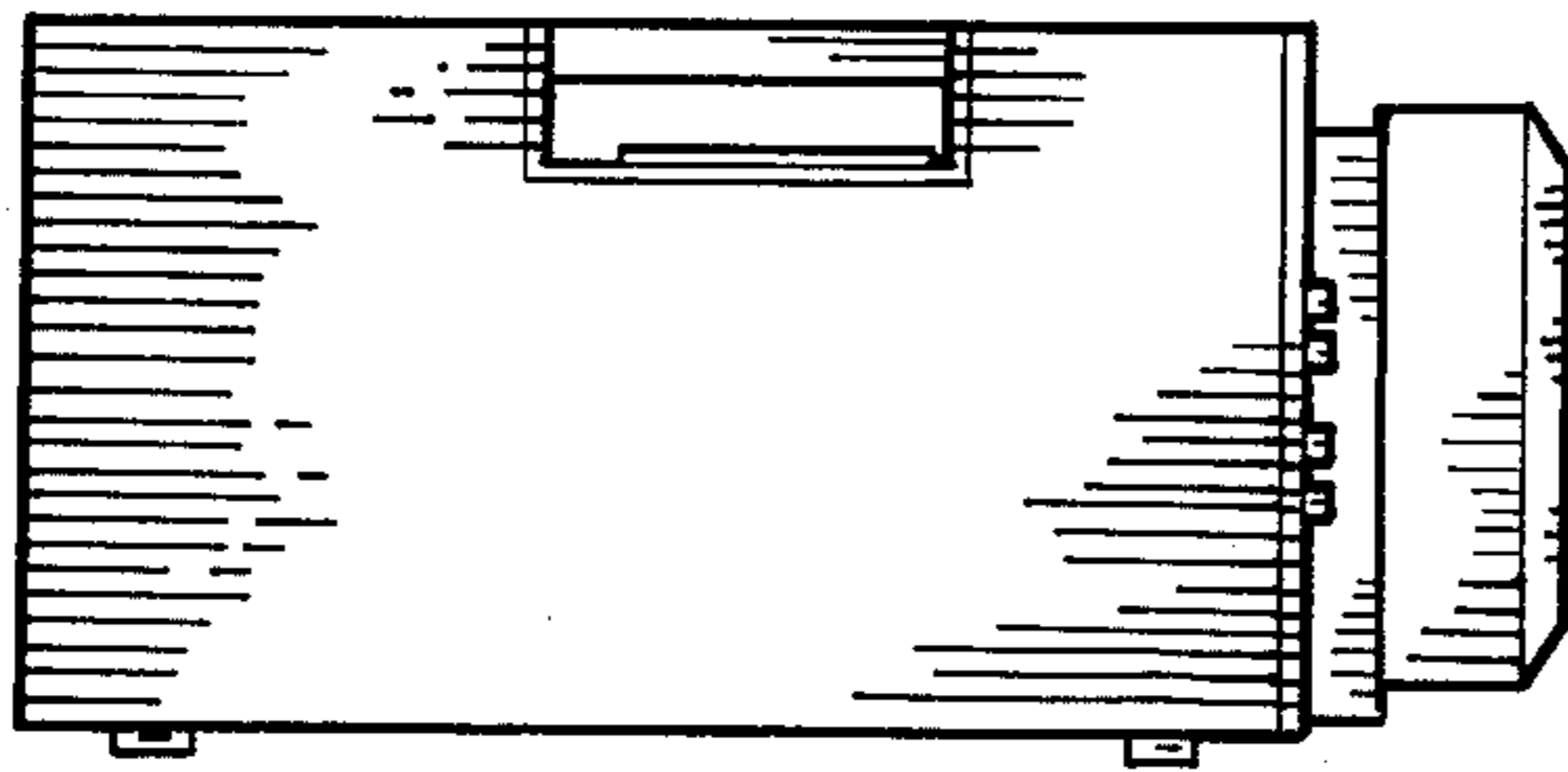


Fig. 5

