

[54] AUTOMOBILE TELEVISION ANTENNA

[76] Inventor: Kelly Higgins, 28970 Crags Dr., Agoura, Calif. 91301

[**] Term: 14 Years

[21] Appl. No.: 845,395

[22] Filed: Mar. 20, 1986

[52] U.S. Cl. D14/230; D26/34

[58] Field of Search D14/86-91, D14/99; 343/773, 899, 912

[56] References Cited

U.S. PATENT DOCUMENTS

D. 132,380	5/1942	Page	D14/86
D. 227,785	7/1973	Kaysen	D14/90
D. 245,778	9/1977	Langner	D14/86
D. 275,673	9/1984	Iino et al.	D14/86
2,549,143	4/1951	Tinus	343/912

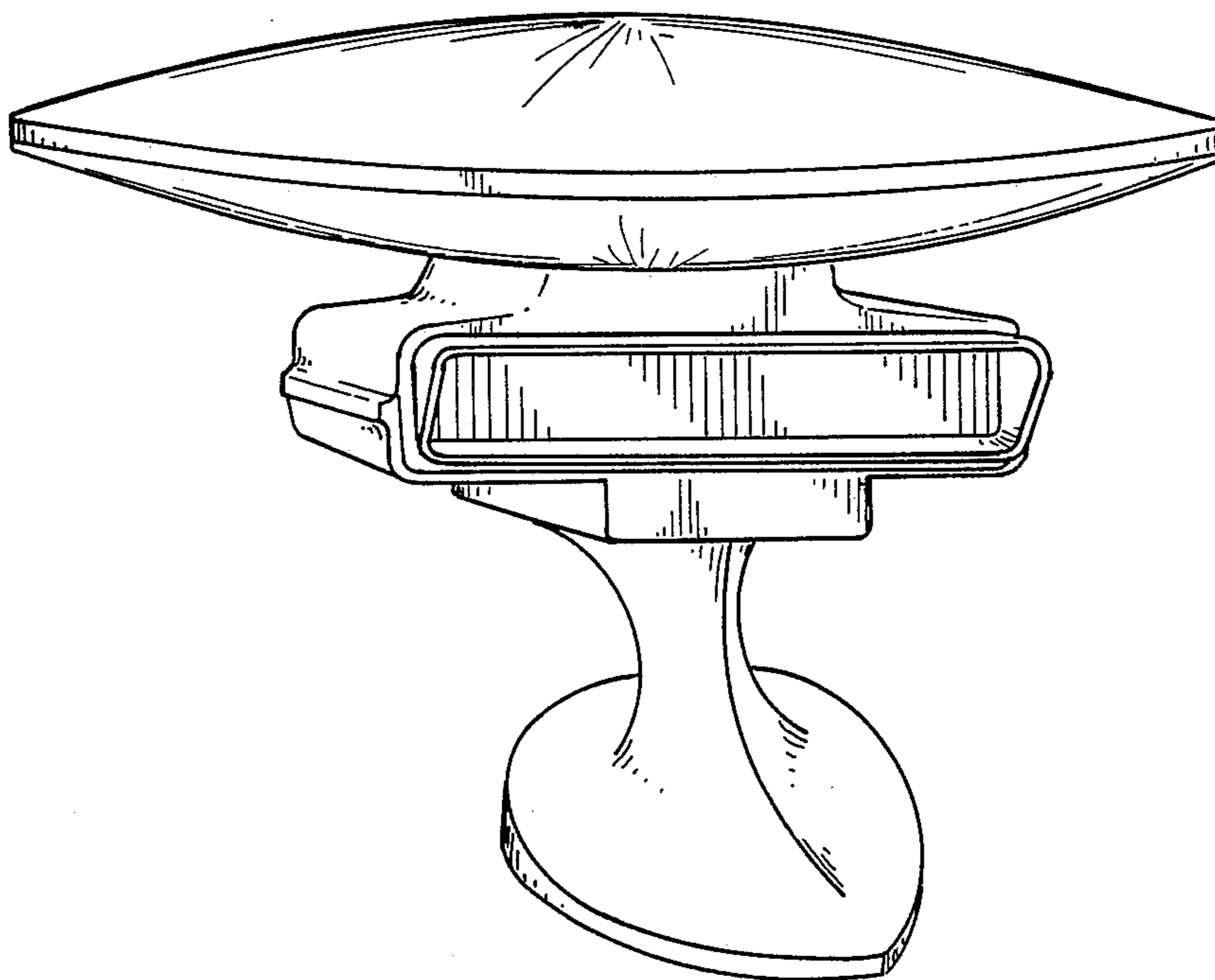
Primary Examiner—Bernard Ansher
Assistant Examiner—Theodore M. Shooman
Attorney, Agent, or Firm—Lewis Anten

[57] CLAIM

The ornamental design for an automobile television antenna, as shown.

DESCRIPTION

FIG. 1 is a front and left side perspective view of an automobile television antenna showing my new design; FIG. 2 is a front elevational view thereof; FIG. 3 is a rear elevational view thereof; FIG. 4 is a left side elevational view thereof; FIG. 5 is a right side elevational view thereof; FIG. 6 is a top plan view thereof; FIG. 7 is a bottom plan view thereof; and FIG. 8 is a front and left side perspective view of a second embodiment of the antenna shown in FIG. 1.



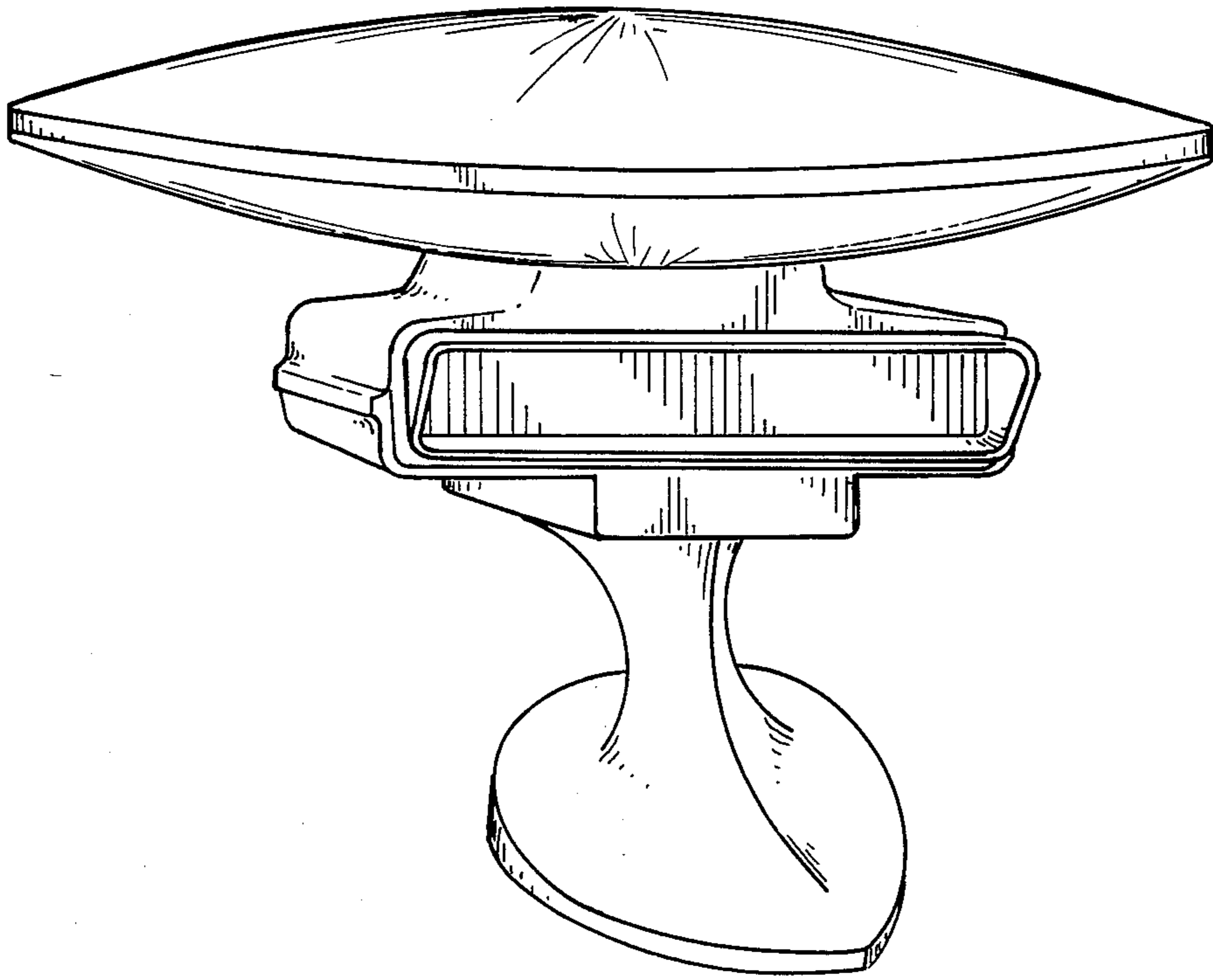


fig. 1.

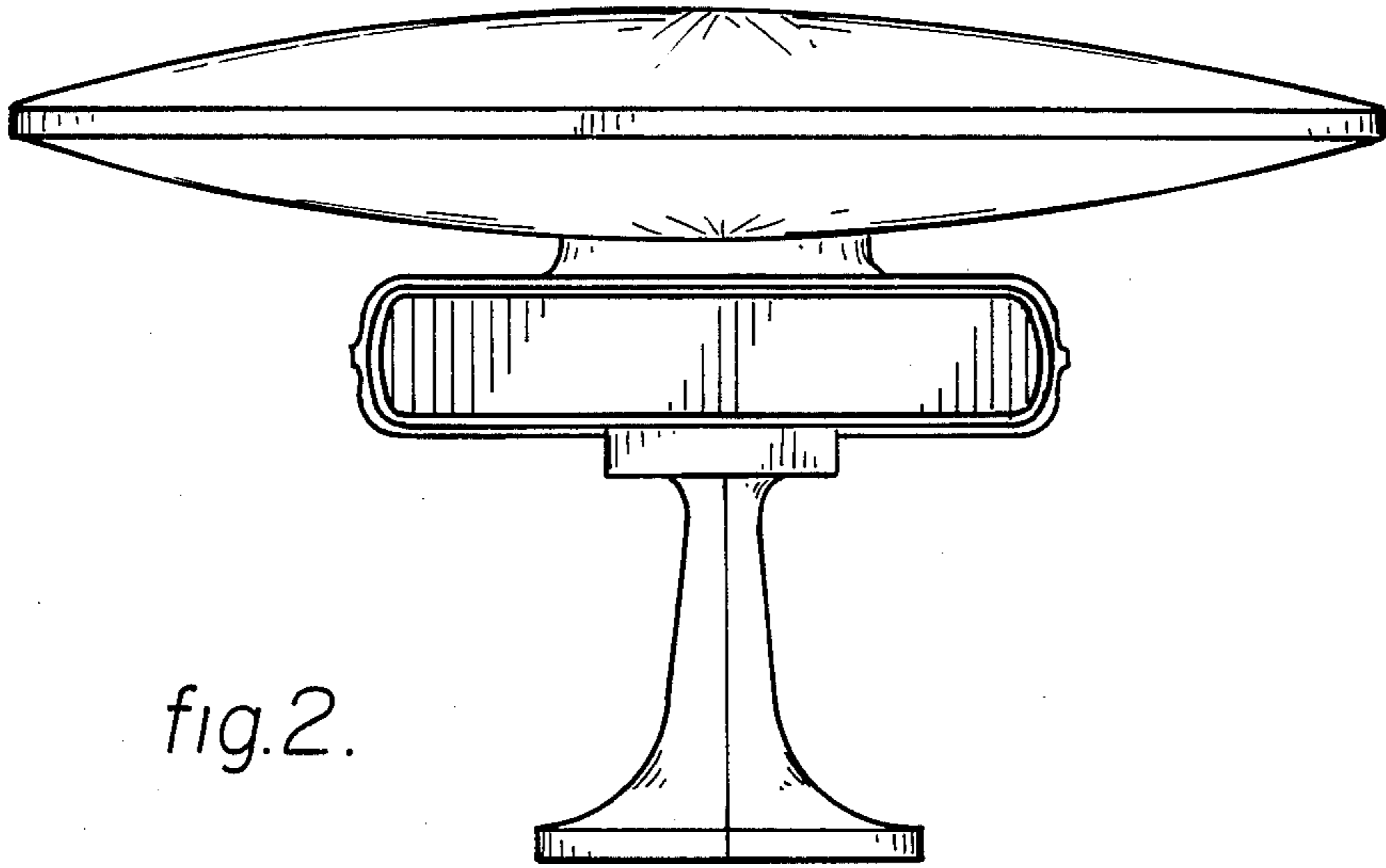


fig.2.

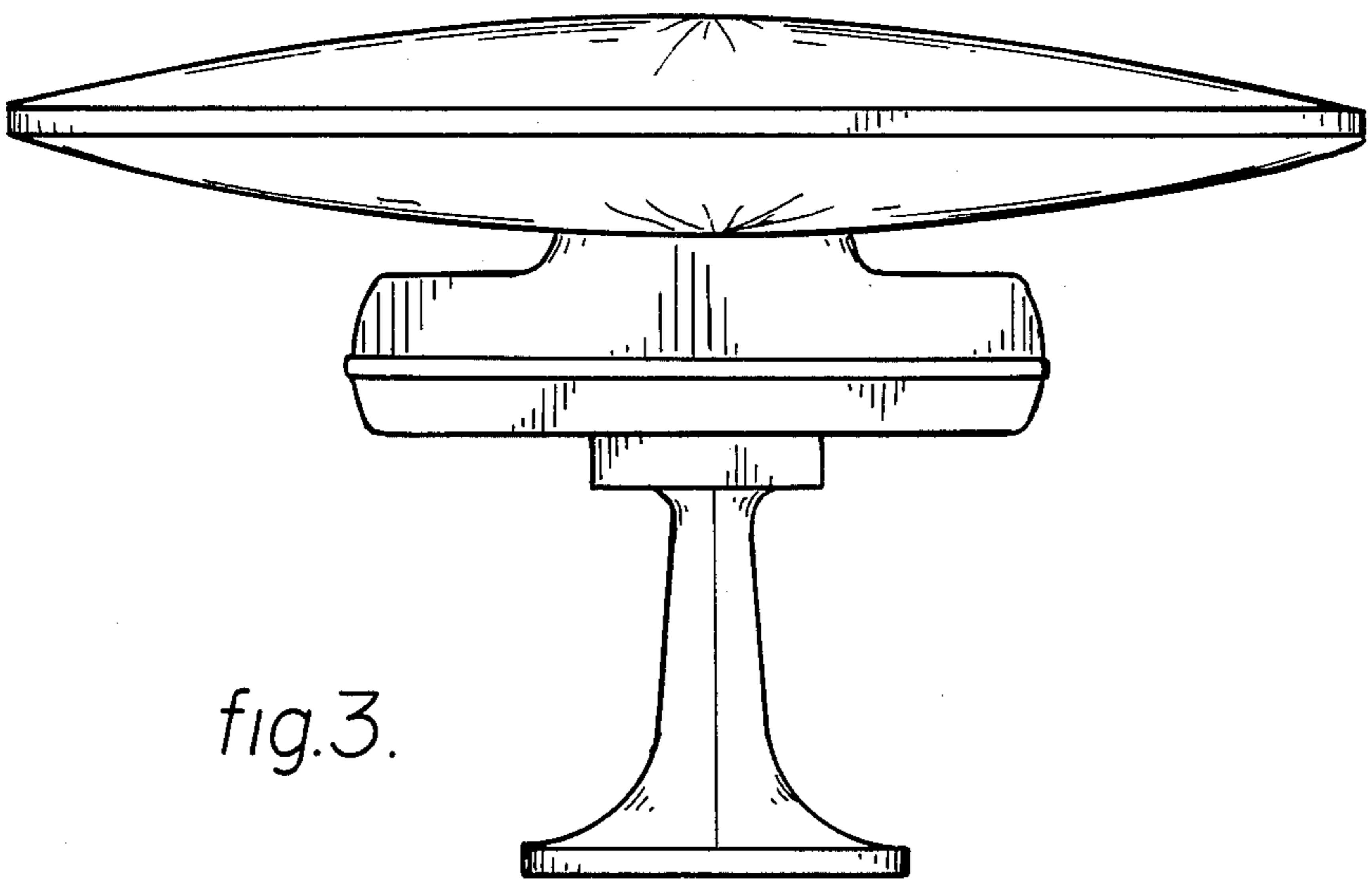
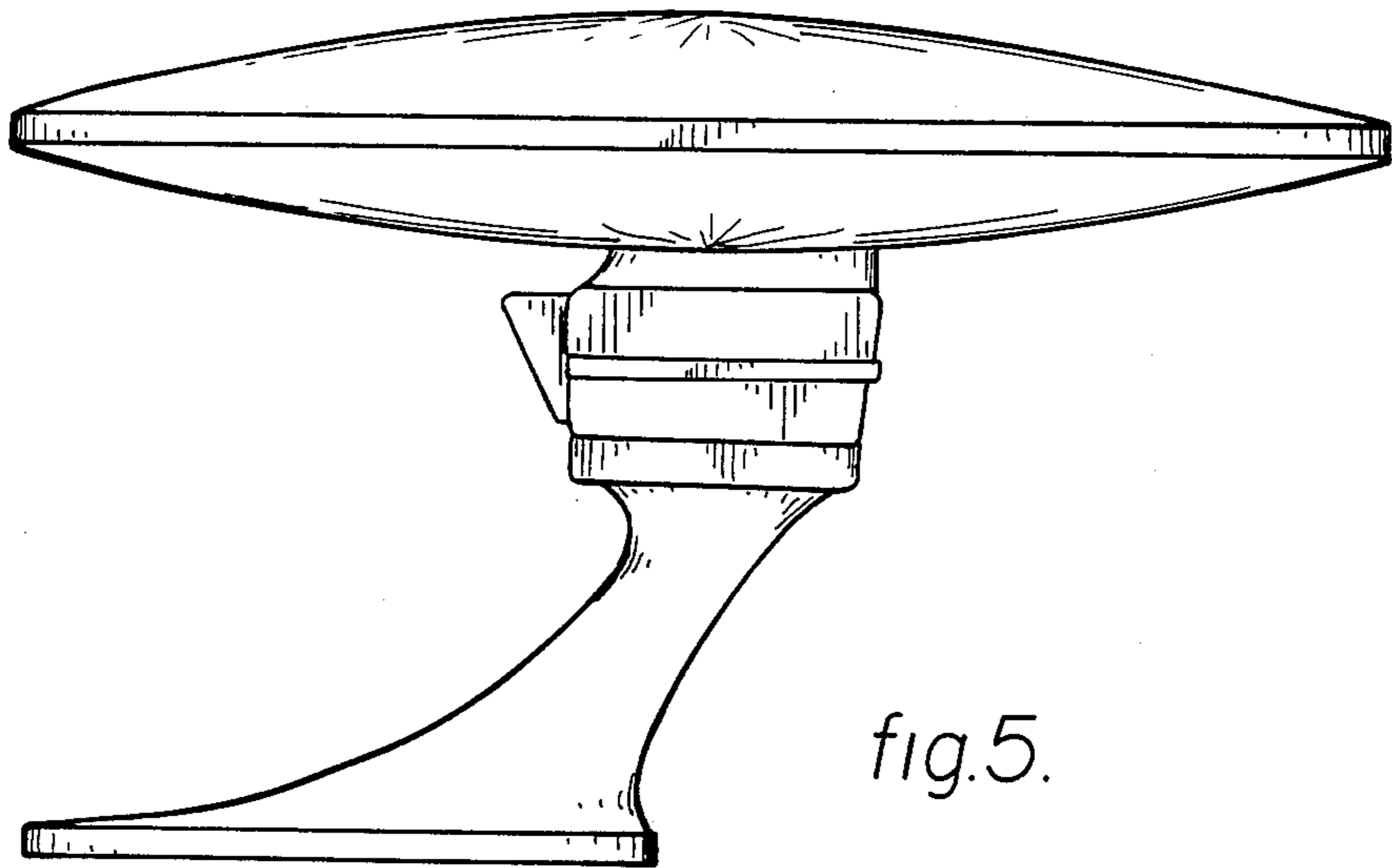
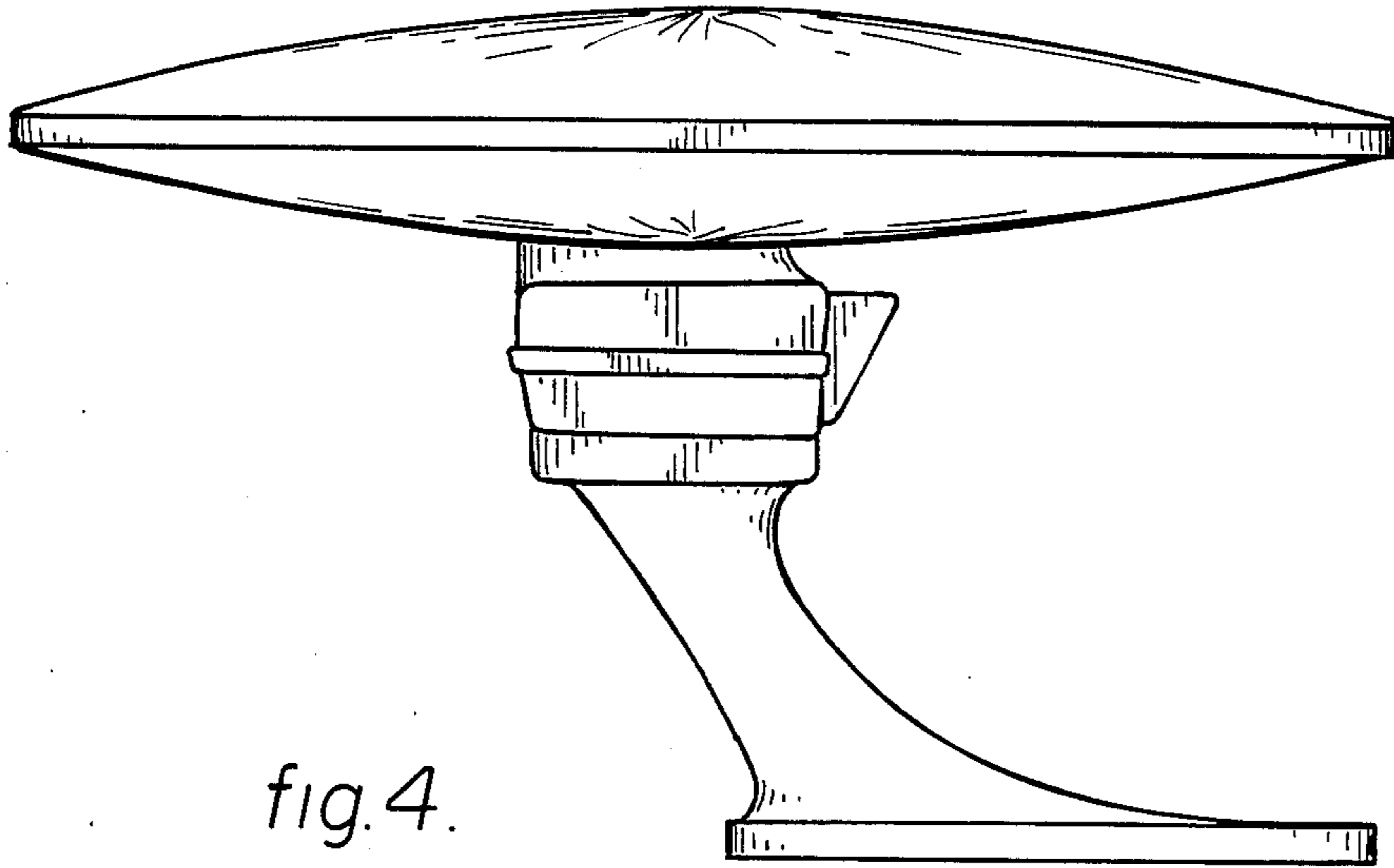


fig.3.



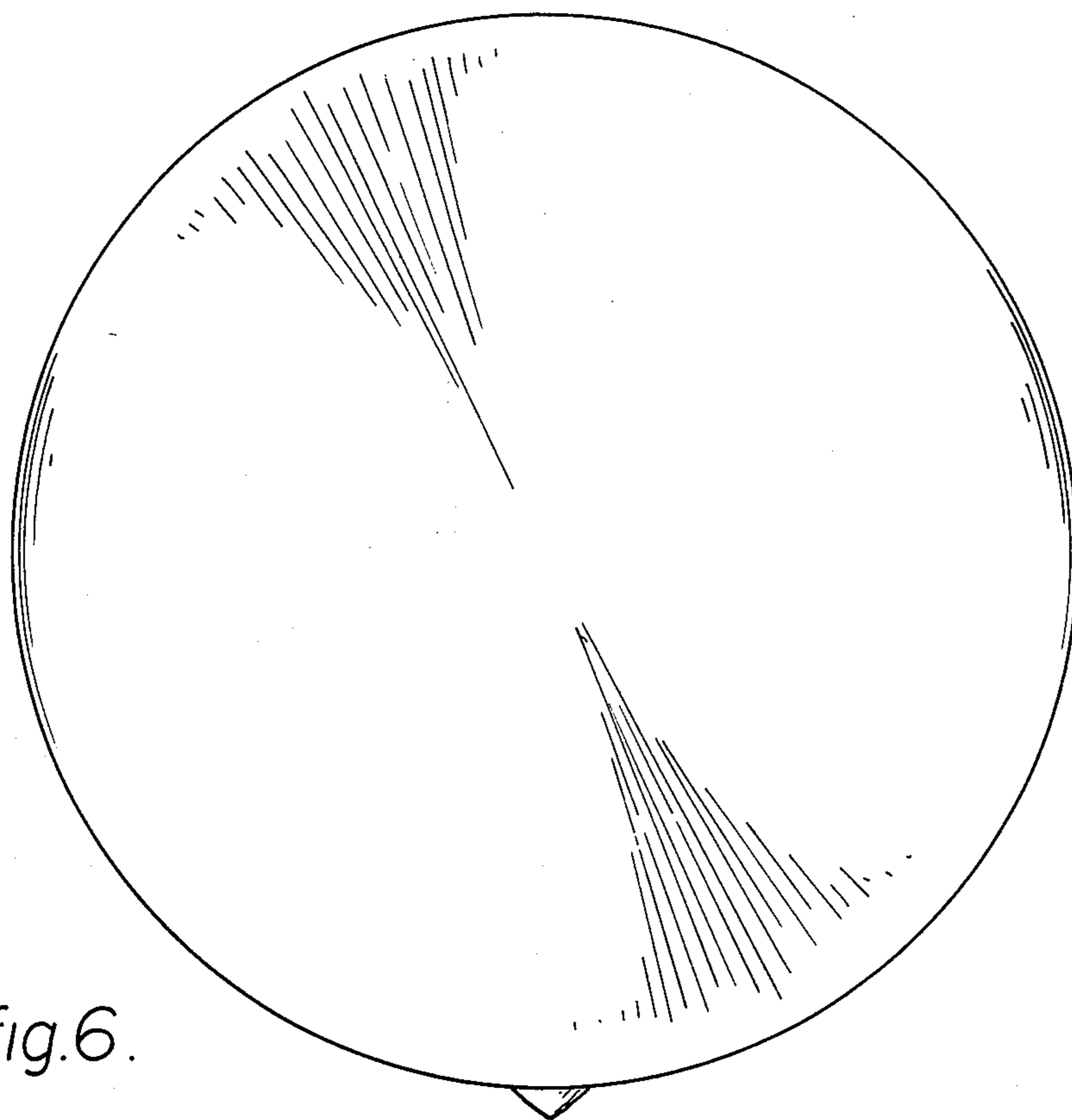


fig.6.

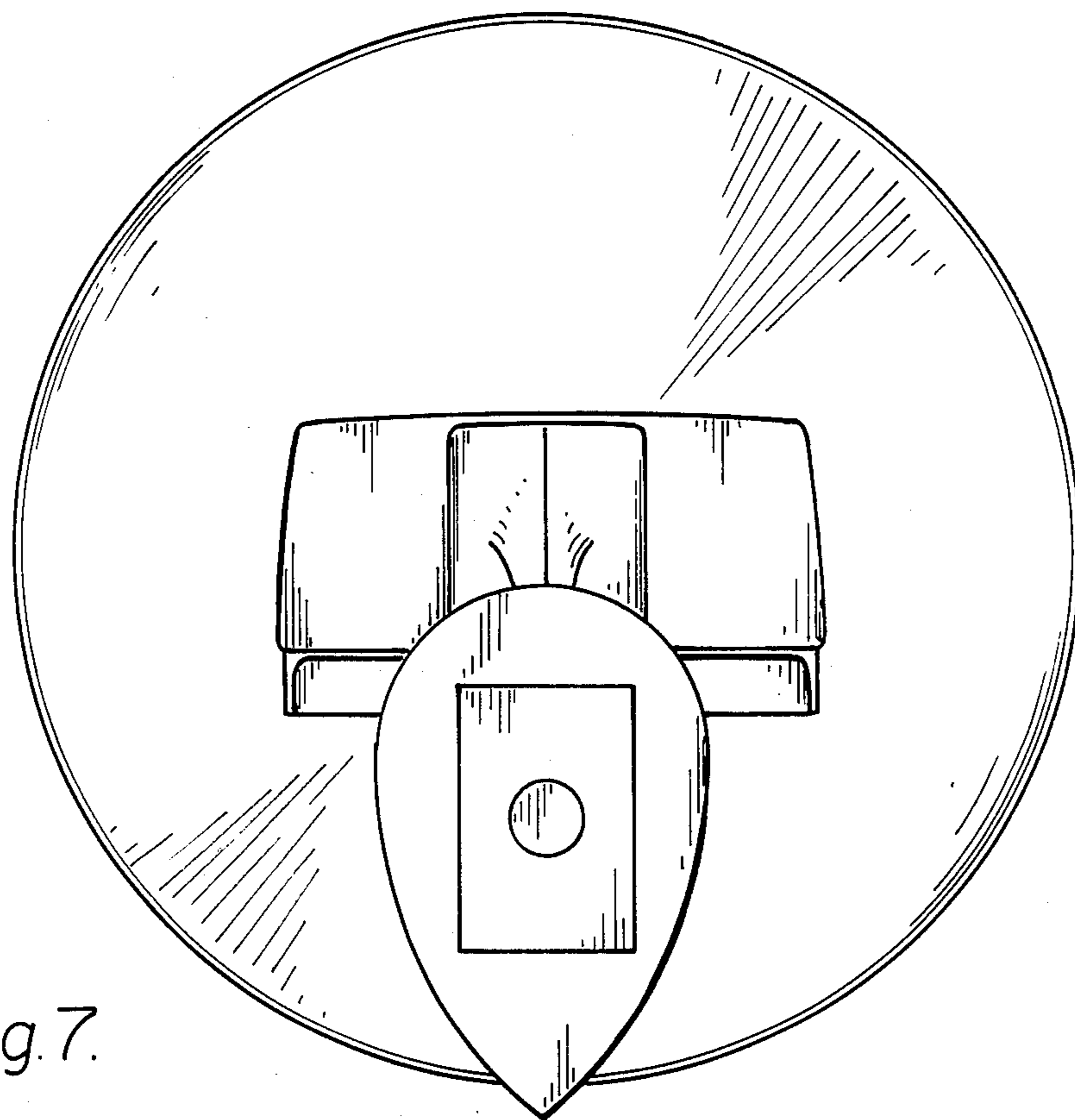


fig.7.

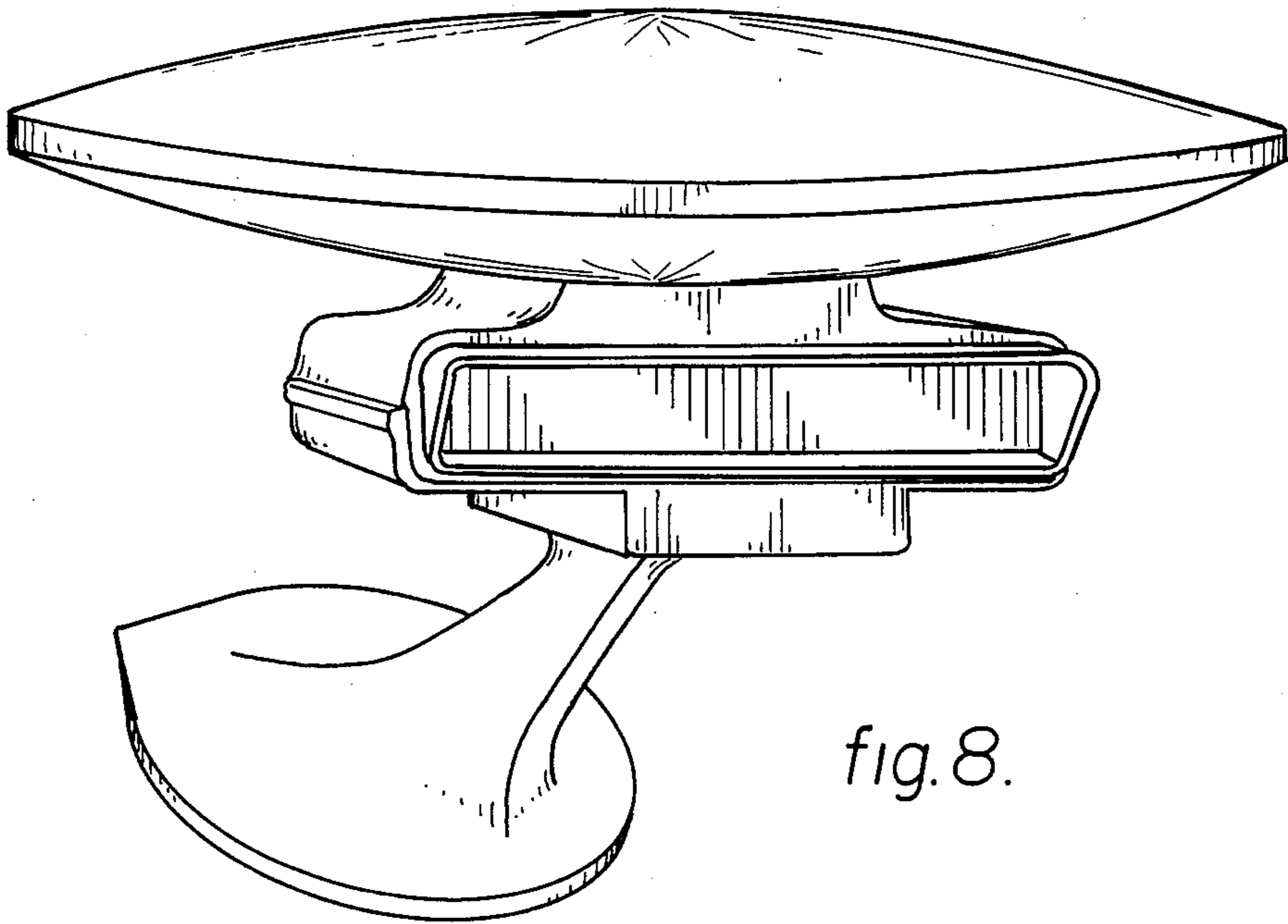


fig. 8.