

[54] **REMOTE CONTROL DEVICE**

[75] **Inventor:** Alexander N. Stagnitta, Chesapeake, Va.

[73] **Assignee:** RCA Licensing Corporation, Princeton, N.J.

[**] **Term:** 14 Years

[21] **Appl. No.:** 816,764

[22] **Filed:** Jan. 7, 1986

[52] **U.S. Cl.** D14/218

[58] **Field of Search** D14/1, 2, 10, 26, 68, D14/77, 84, 85, 95, 99; 358/194.1; 455/151, 352-355, 603; D13/32, 99, 12, 35, 38, 40, 41

[56] **References Cited**

U.S. PATENT DOCUMENTS

- D. 266,416 10/1982 Hiraki D14/85 X
- D. 275,753 10/1984 Mahan D14/68
- D. 275,754 10/1984 Matsuda et al. D14/85
- 4,626,847 12/1986 Zato 358/194.1

OTHER PUBLICATIONS

Audio, Jan. 1986, p. 3, bottom left RT-102 Remote Control Unit.

Stereo Review, Oct. 1985, p. 19, Center-RCI Remote Control Unit.

Stereo Review, Oct. 1985, p. 85, center bottom.

Primary Examiner—Bernard Ansher

Assistant Examiner—Theodore M. Shooman

Attorney, Agent, or Firm—Carlos Nieves; Eugene M. Whitacre; Peter M. Emanuel

[57] **CLAIM**

The ornamental design for a remote control device, as shown.

DESCRIPTION

FIG. 1 is a top, rear and left side perspective view of a remote control device showing my new design;

FIG. 2 is a top plan view thereof;

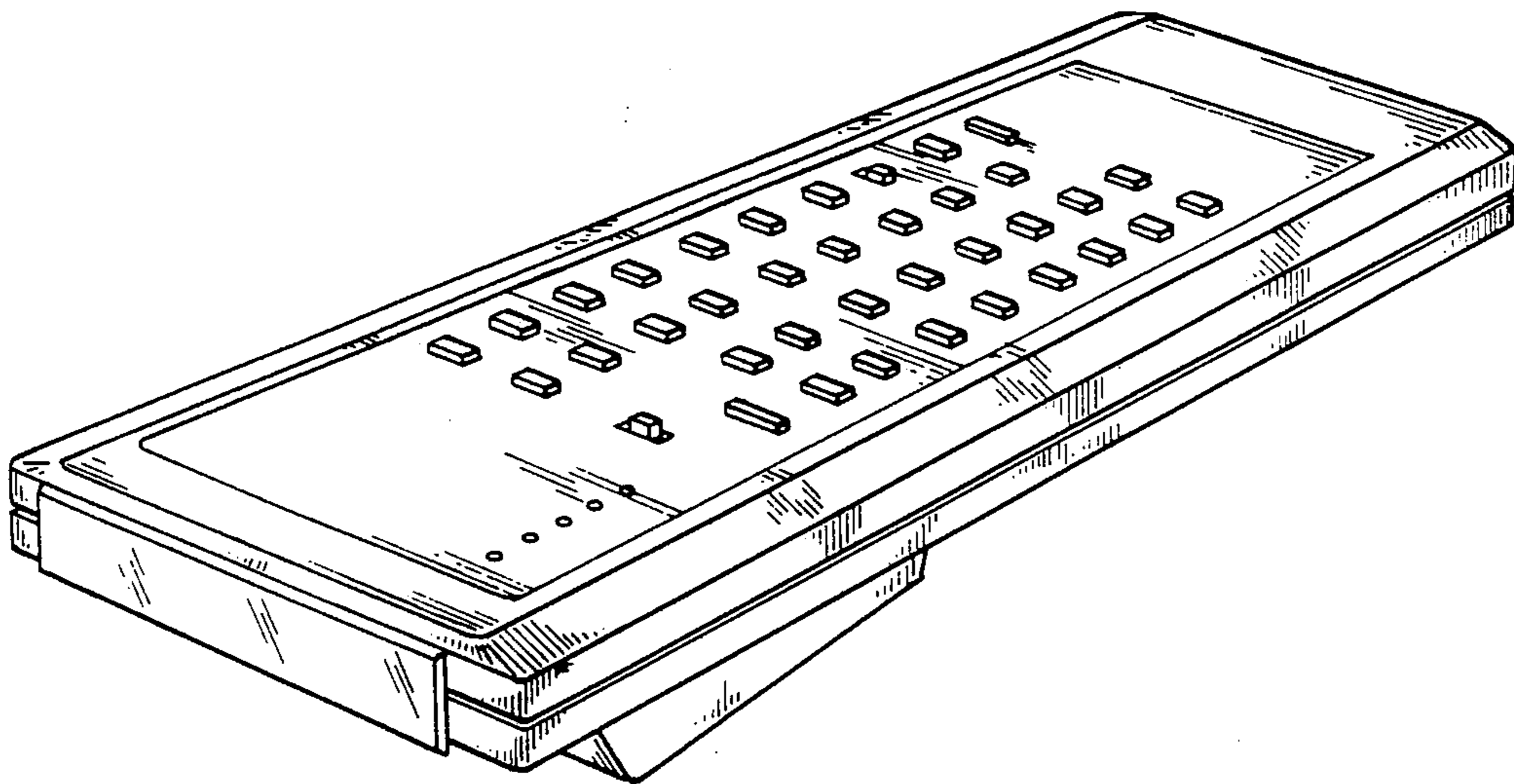
FIG. 3 is a right side elevational view thereof;

FIG. 4 is a front elevational view thereof;

FIG. 5 is a rear elevational view thereof;

FIG. 6 is a bottom plan view thereof; and

FIG. 7 is a left side elevational view thereof.



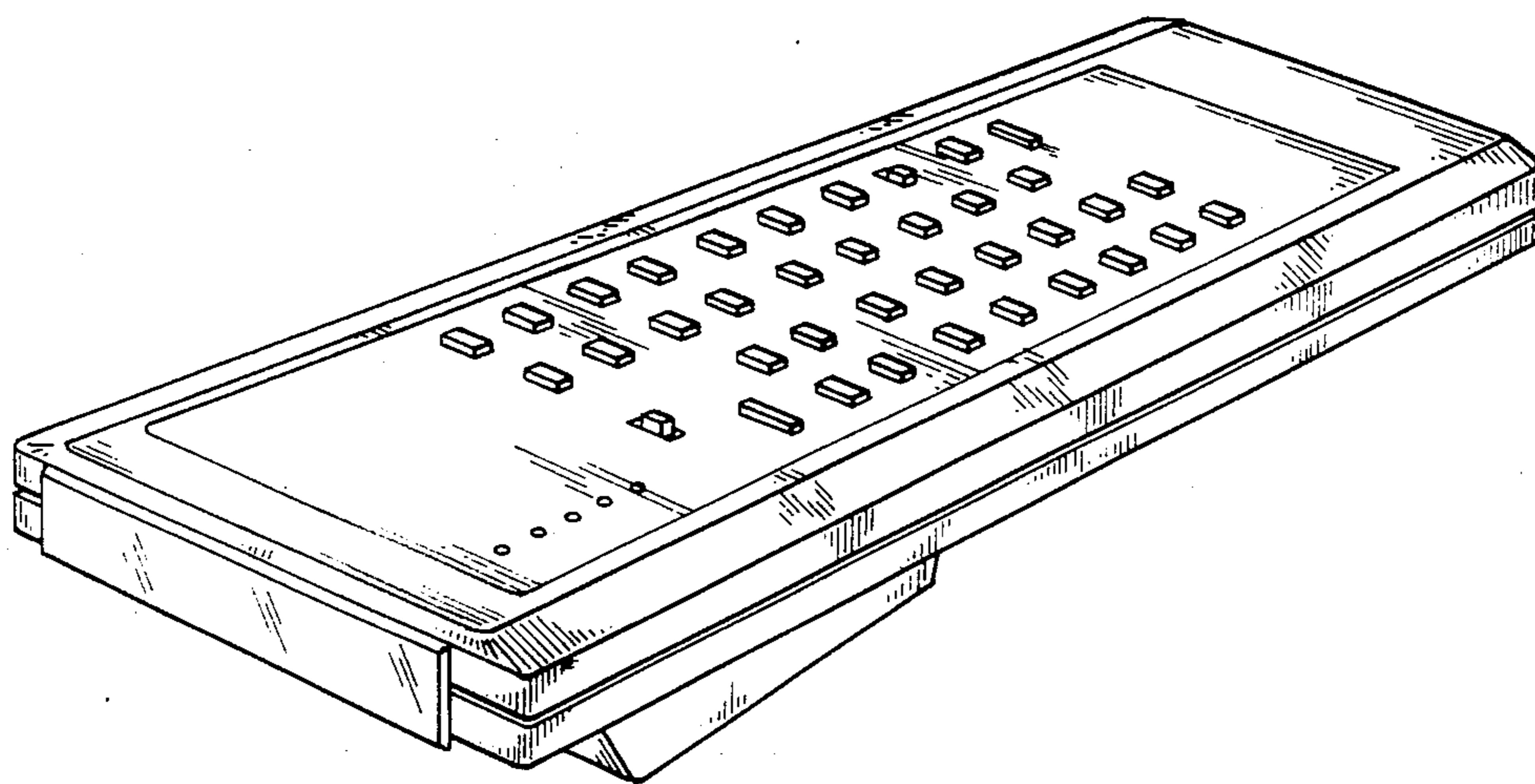


FIG. 1

FIG. 2

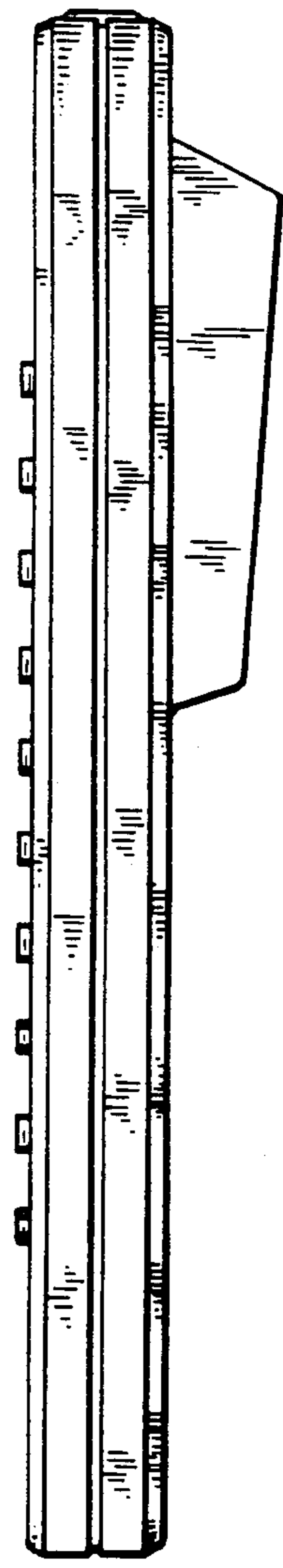
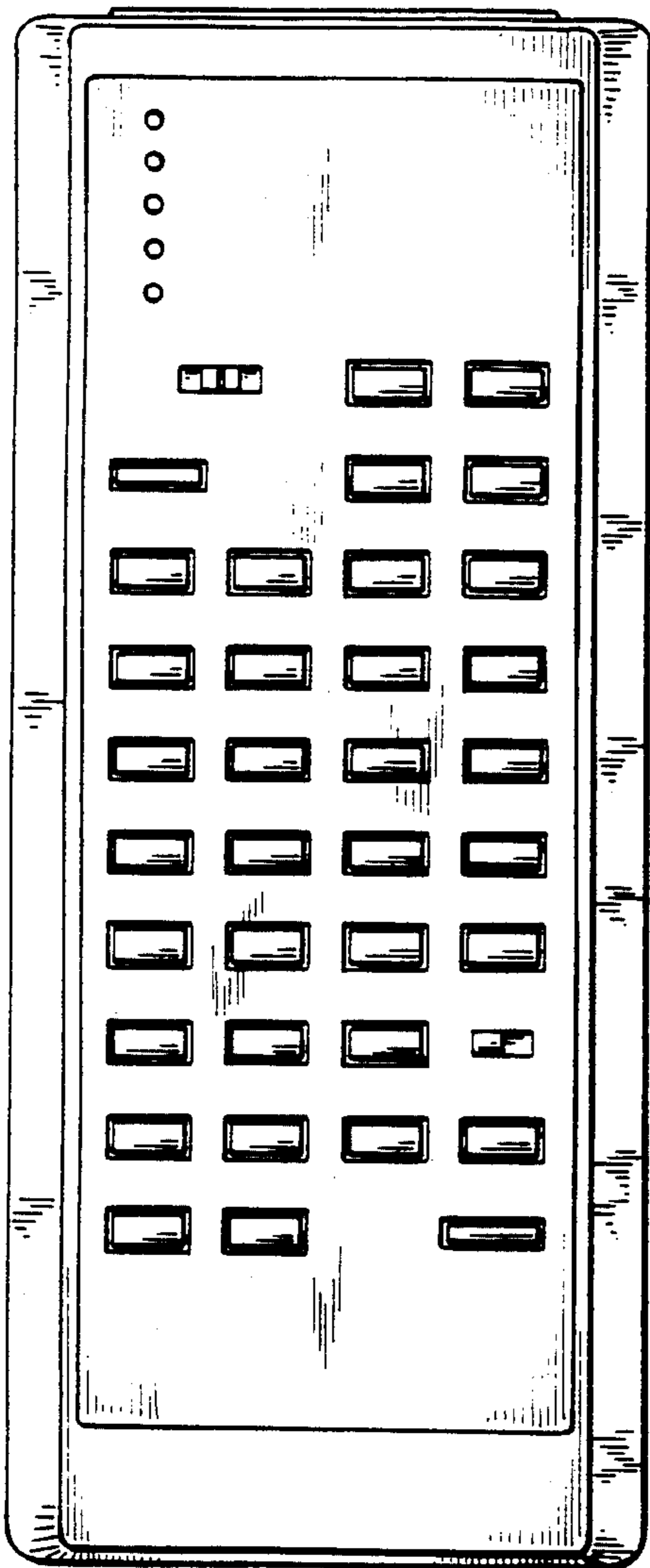
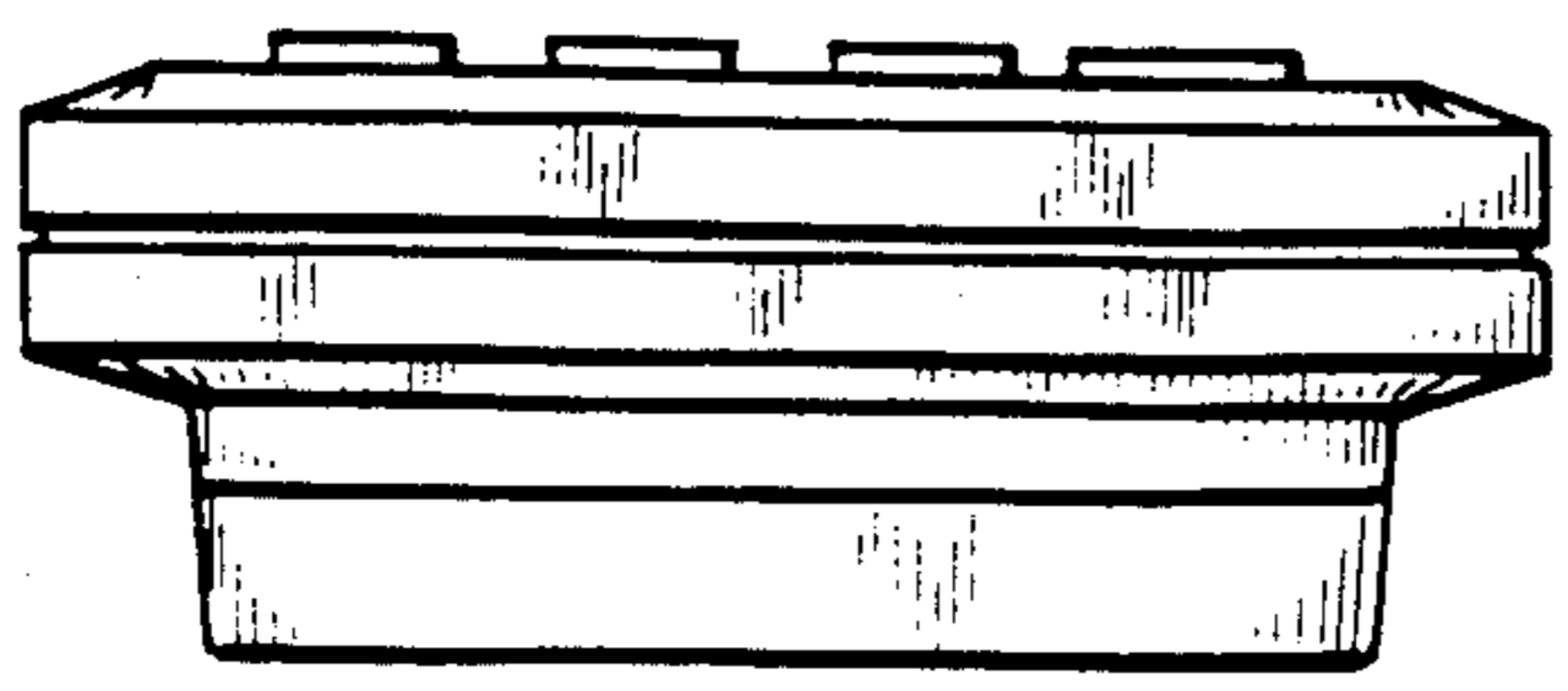


FIG. 3

FIG. 4



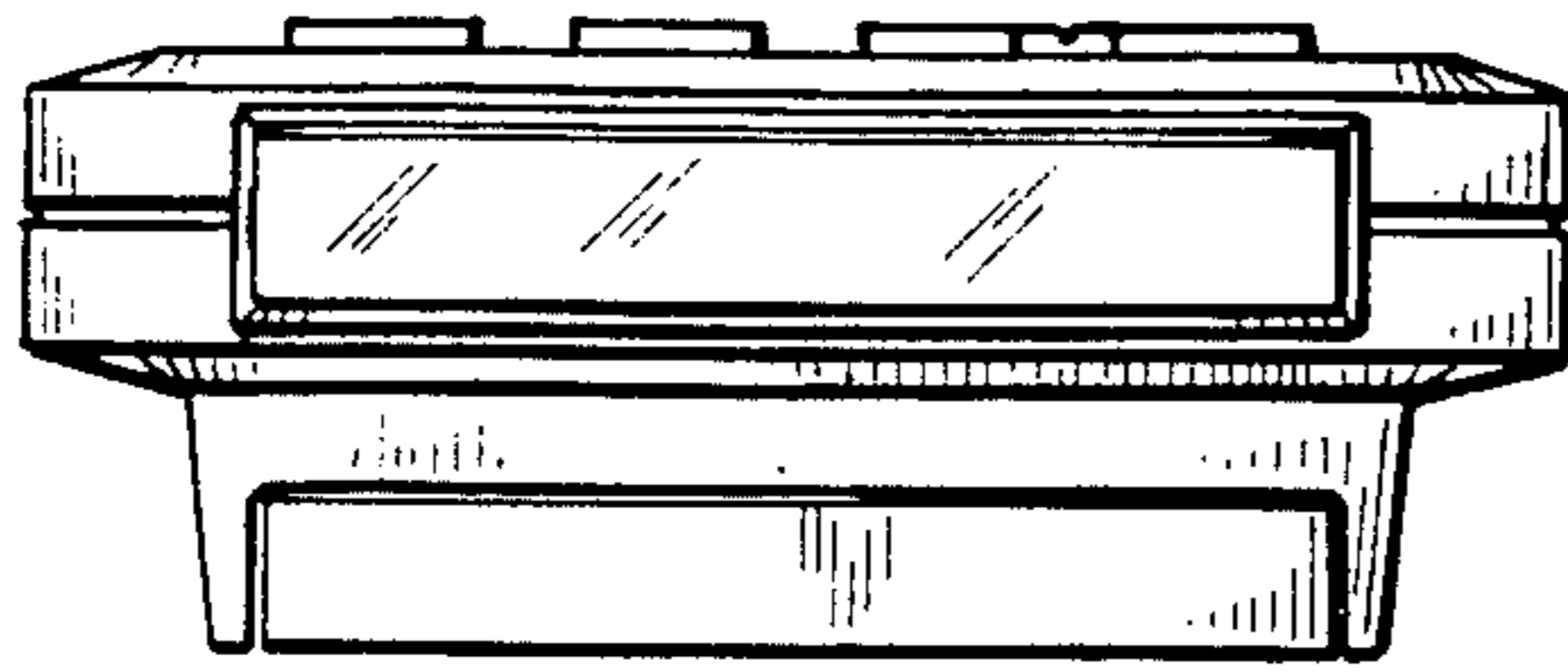


FIG. 5

FIG. 6

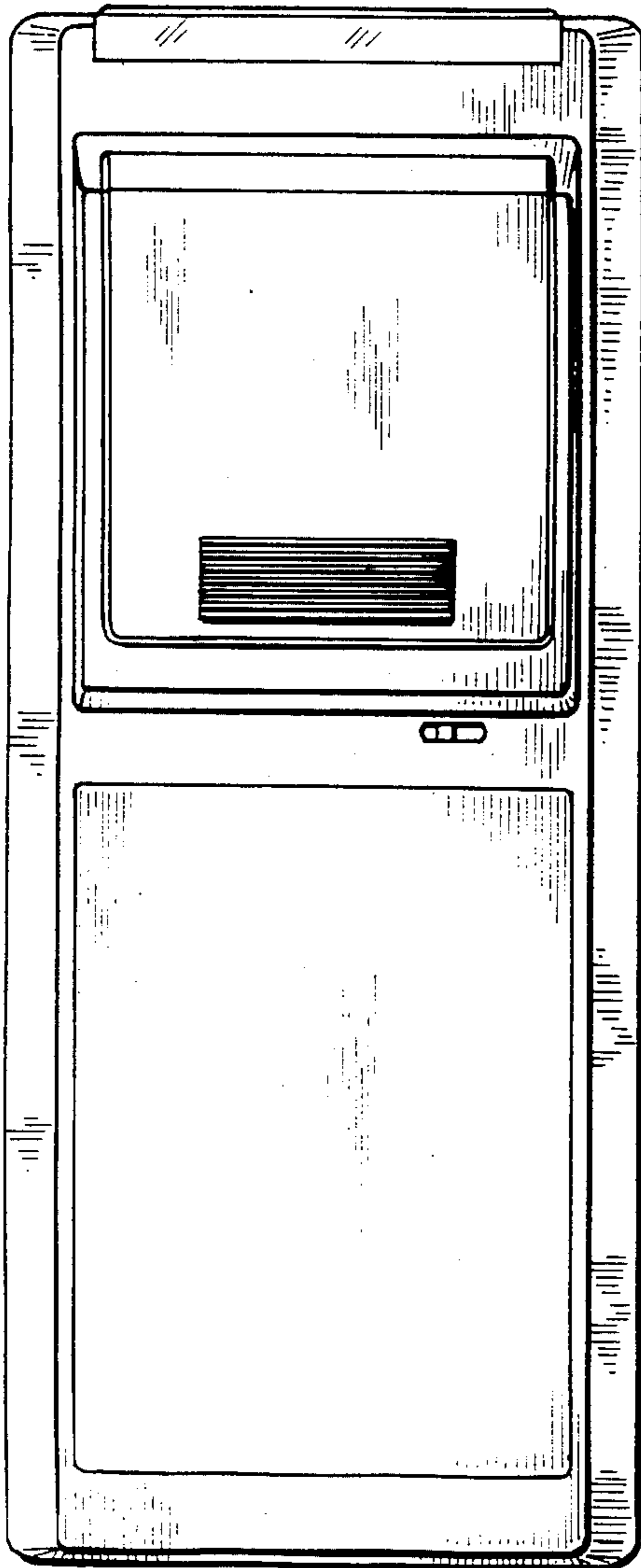


FIG. 7

