

[54] WHEEL CENTER FOR A RACE CAR WHEEL OR THE LIKE

[76] Inventor: James D. Gilliam, Rte. 1, Box 187, Meeker, Okla. 74855

[**] Term: 14 Years

[21] Appl. No.: 85,782

[22] Filed: Aug. 17, 1987

[52] U.S. Cl. D12/210

[58] Field of Search D12/210; 301/37 R, 37 P, 301/63 PW, 64 R, 64 SD, 65, 108 R

Tire review, 5/86, p. 9w, Subaru 1300 Wheel, bottom center of page.

Weld Racing—1984 Jobber Price List dated Jan. 1, 1984.

Center Line Racing Wheels Jobber Price List dated Oct. 15, 1985.

Primary Examiner—James M. Gandy

Attorney, Agent, or Firm—Laney, Dougherty, Hessin & Beavers

[57] CLAIM

The ornamental design for a wheel center for a race car wheel or the like, as shown.

[56] References Cited

U.S. PATENT DOCUMENTS

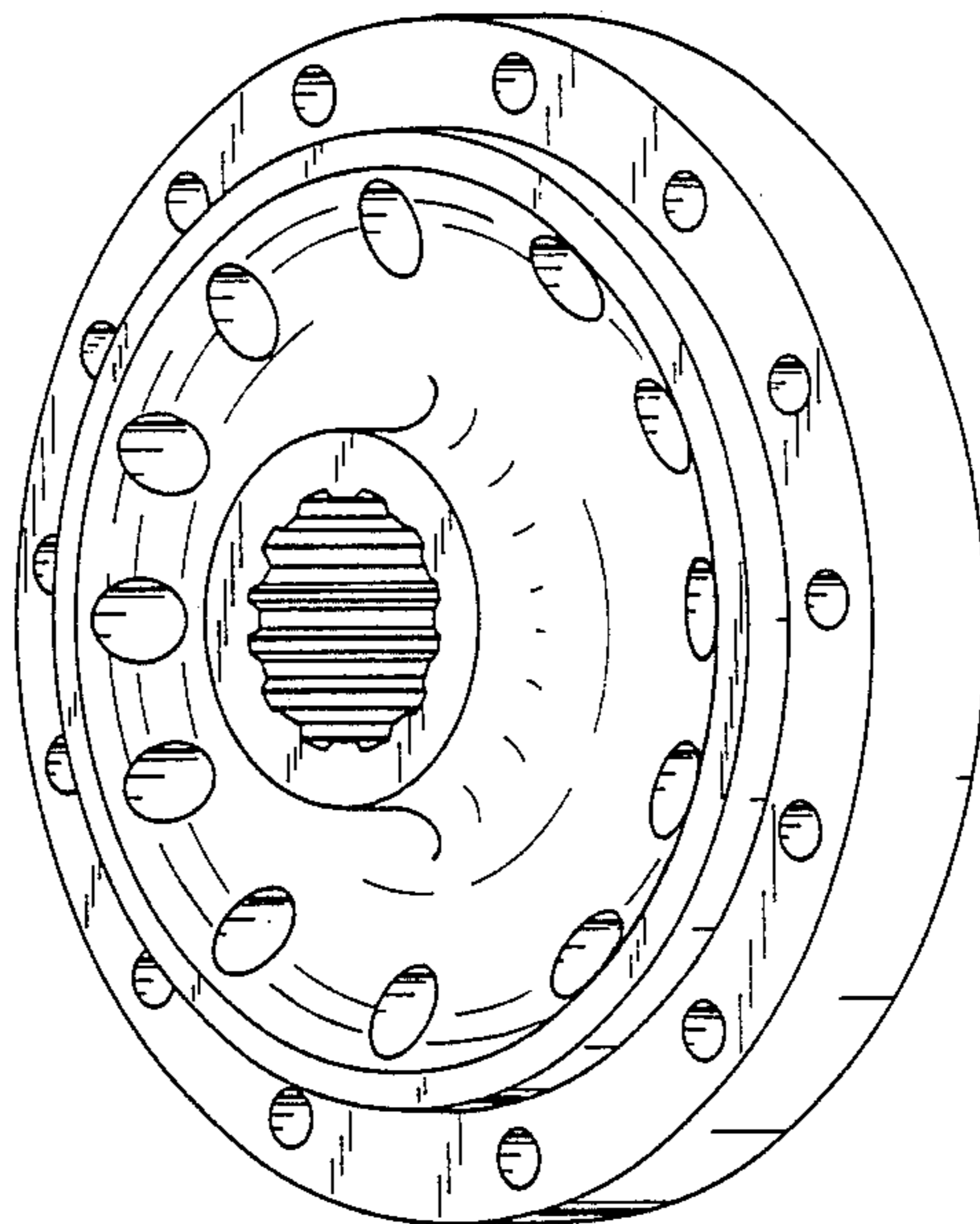
1,375,372 4/1921 Forsyth 301/64 SD

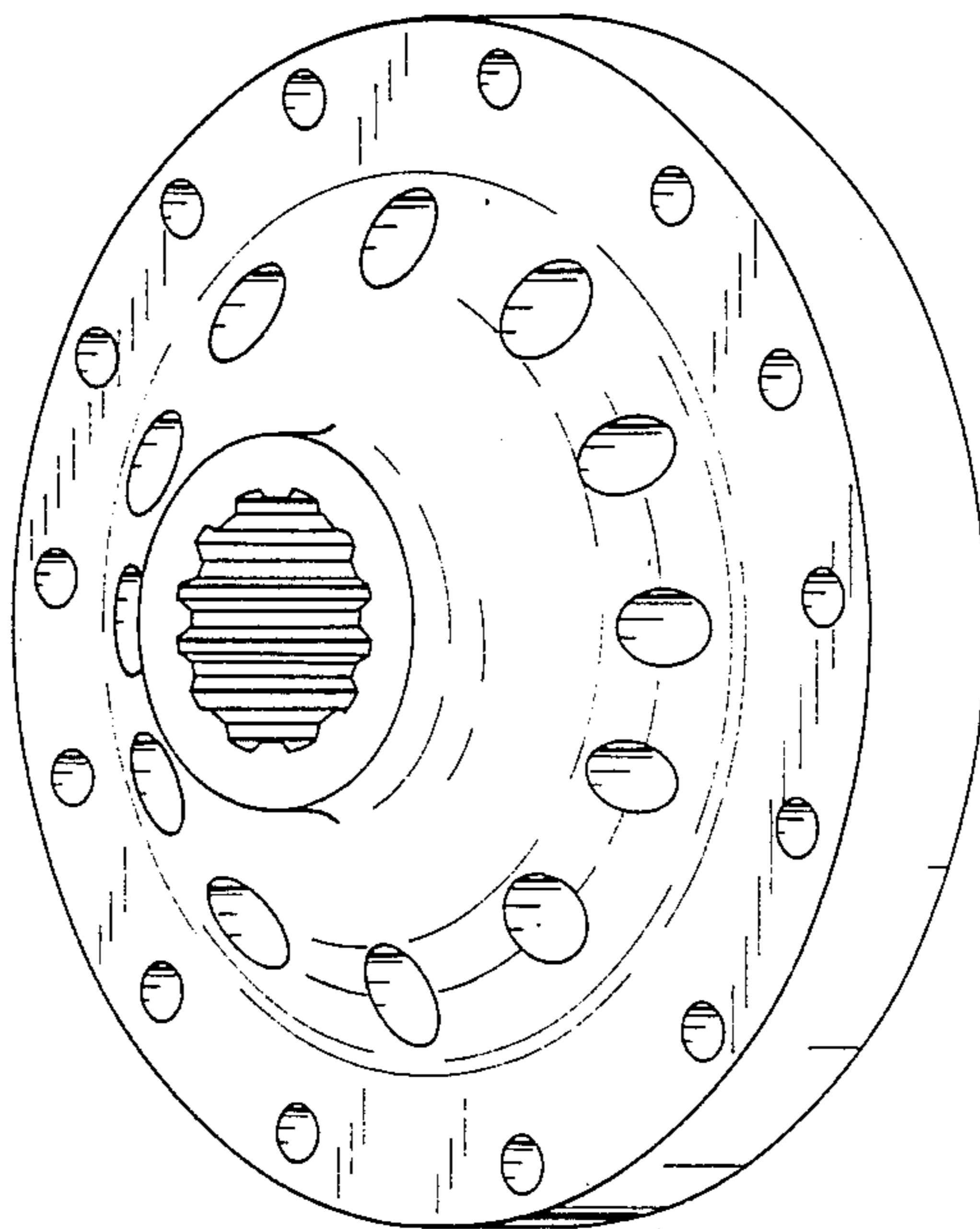
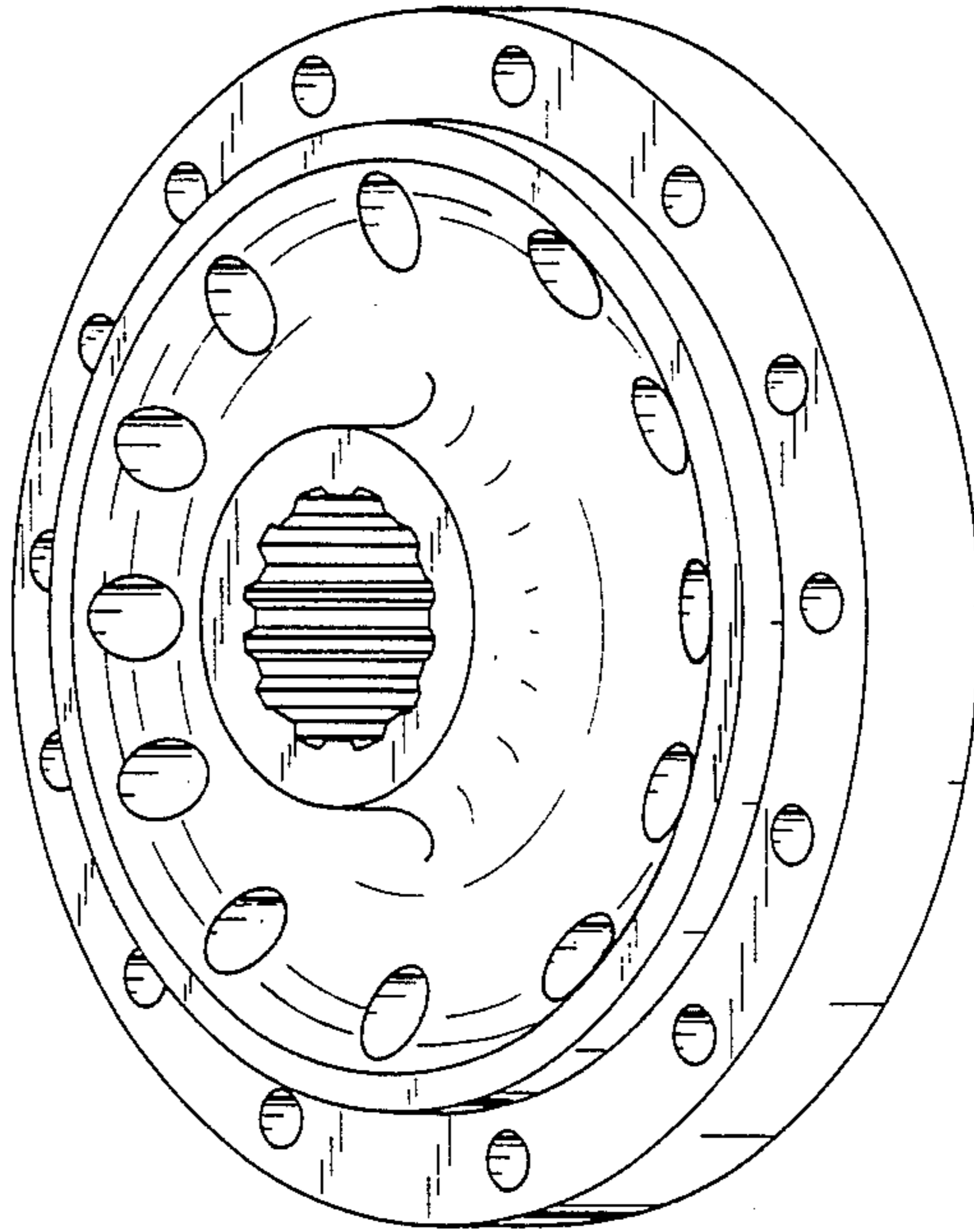
OTHER PUBLICATIONS

Tire Review, 5/86, p. 6W, Outlaw II 1-Piece Wheel, third row down from top & second box in from left side of page.

DESCRIPTION

FIG. 1 is a front perspective view of the wheel center for a race car wheel or the like showing my new design; FIG. 2 is a rear perspective view thereof; FIG. 3 is a front elevation view thereof; FIG. 4 is a side elevation view thereof; FIG. 5 is a rear elevation view thereof; and FIG. 6 is a cross-sectional view thereof taken along a vertical center line in FIG. 3.





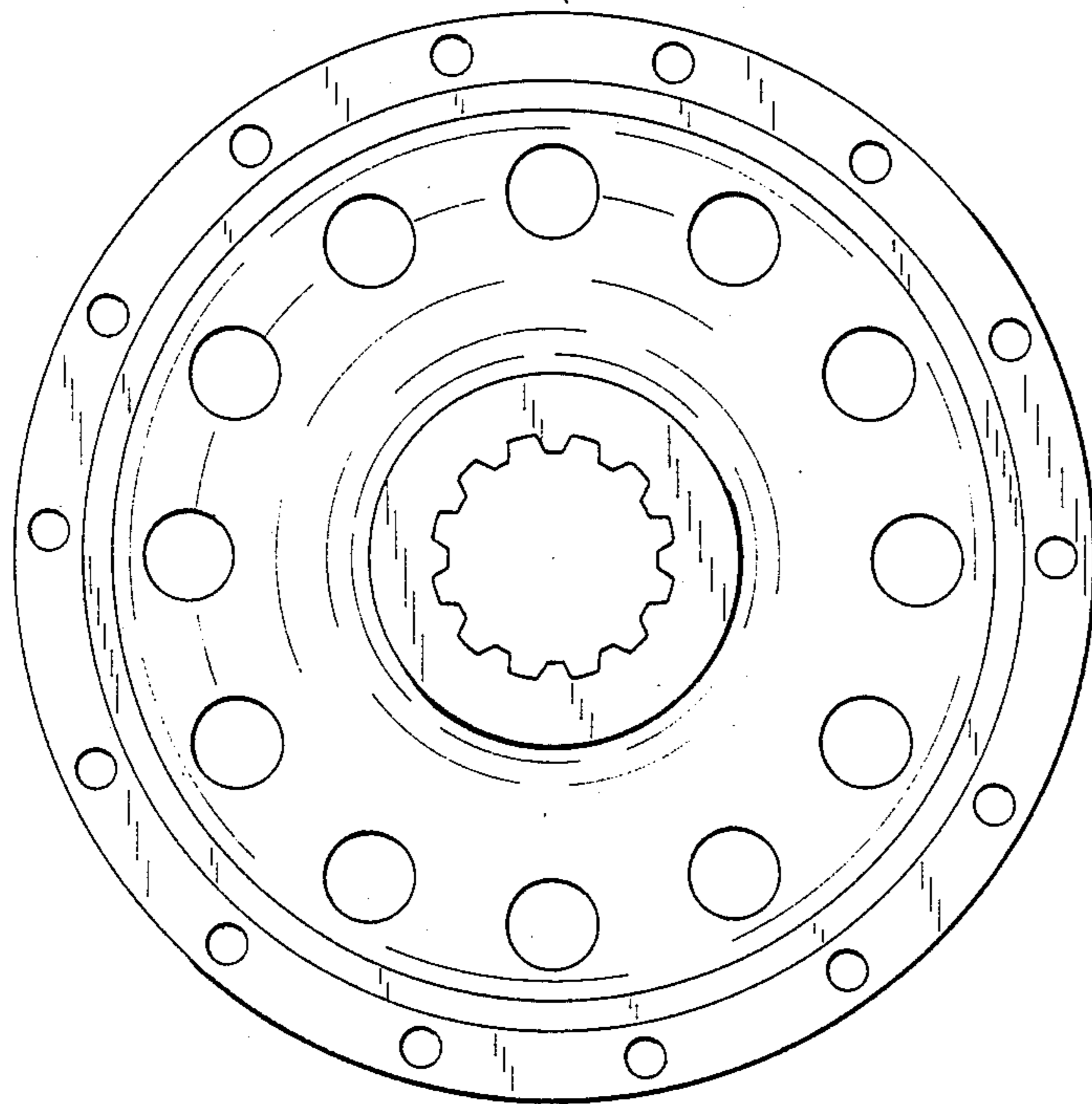


FIG. 3

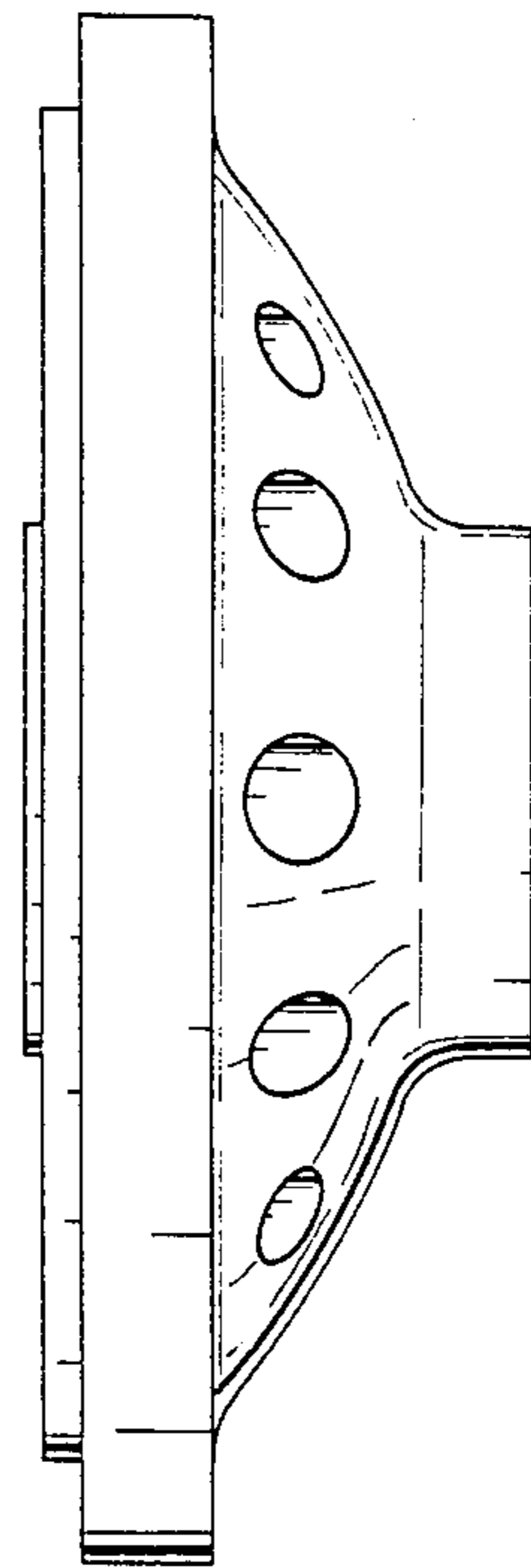


FIG. 4

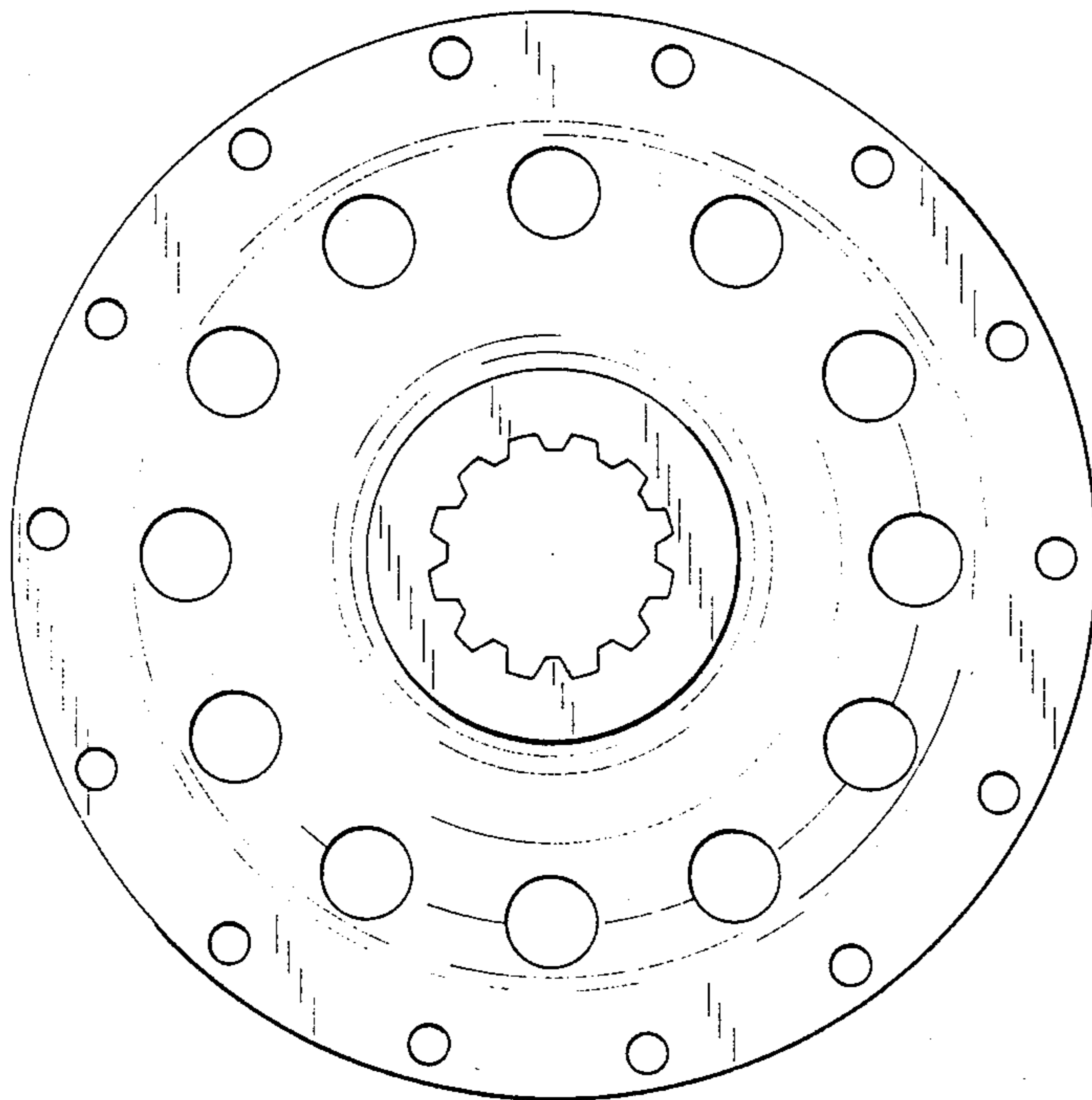


FIG. 5

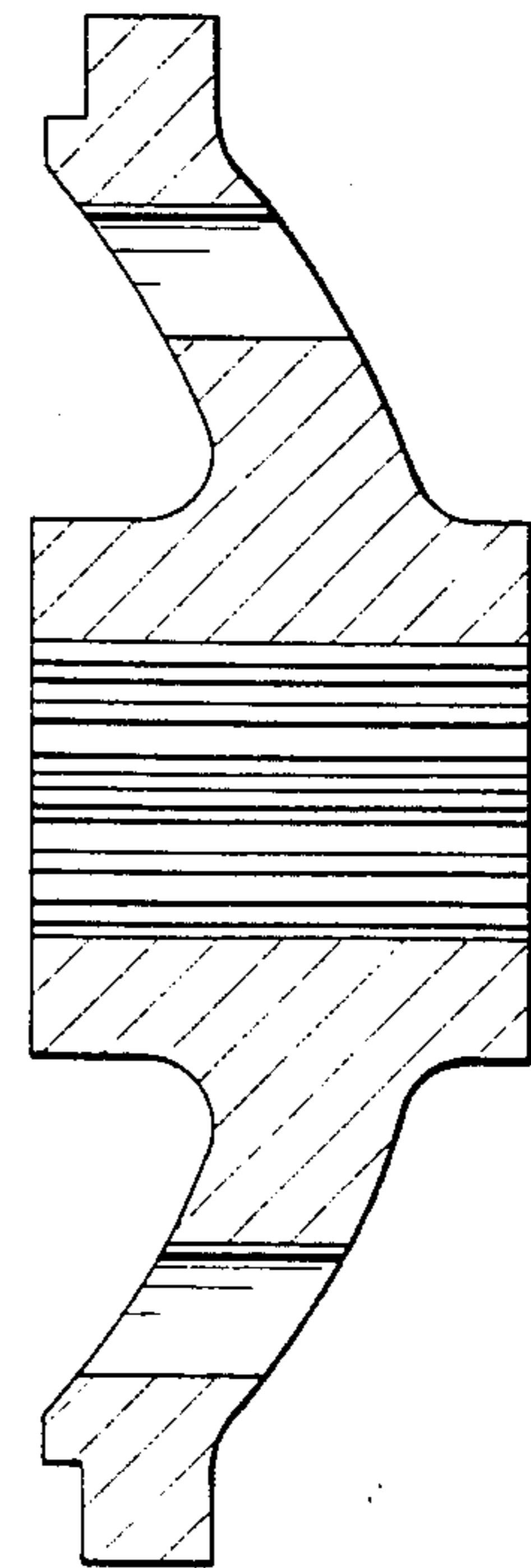


FIG. 6