

[54] TRUCK BED

[76] Inventor: George H. Wegner, 2316 33rd St.,
Santa Monica, Calif. 90405

[**] Term: 14 Years

[21] Appl. No.: 857,451

[22] Filed: Apr. 23, 1986

[52] U.S. Cl. D12/98

[58] Field of Search D12/98; 296/183, 10

[56] References Cited

U.S. PATENT DOCUMENTS

4,613,183 9/1986 Kesling 296/183

Primary Examiner—James M. Gandy

Attorney, Agent, or Firm—Roger A. Marrs

[57] CLAIM

The ornamental design for a truck bed, as shown and described.

DESCRIPTION

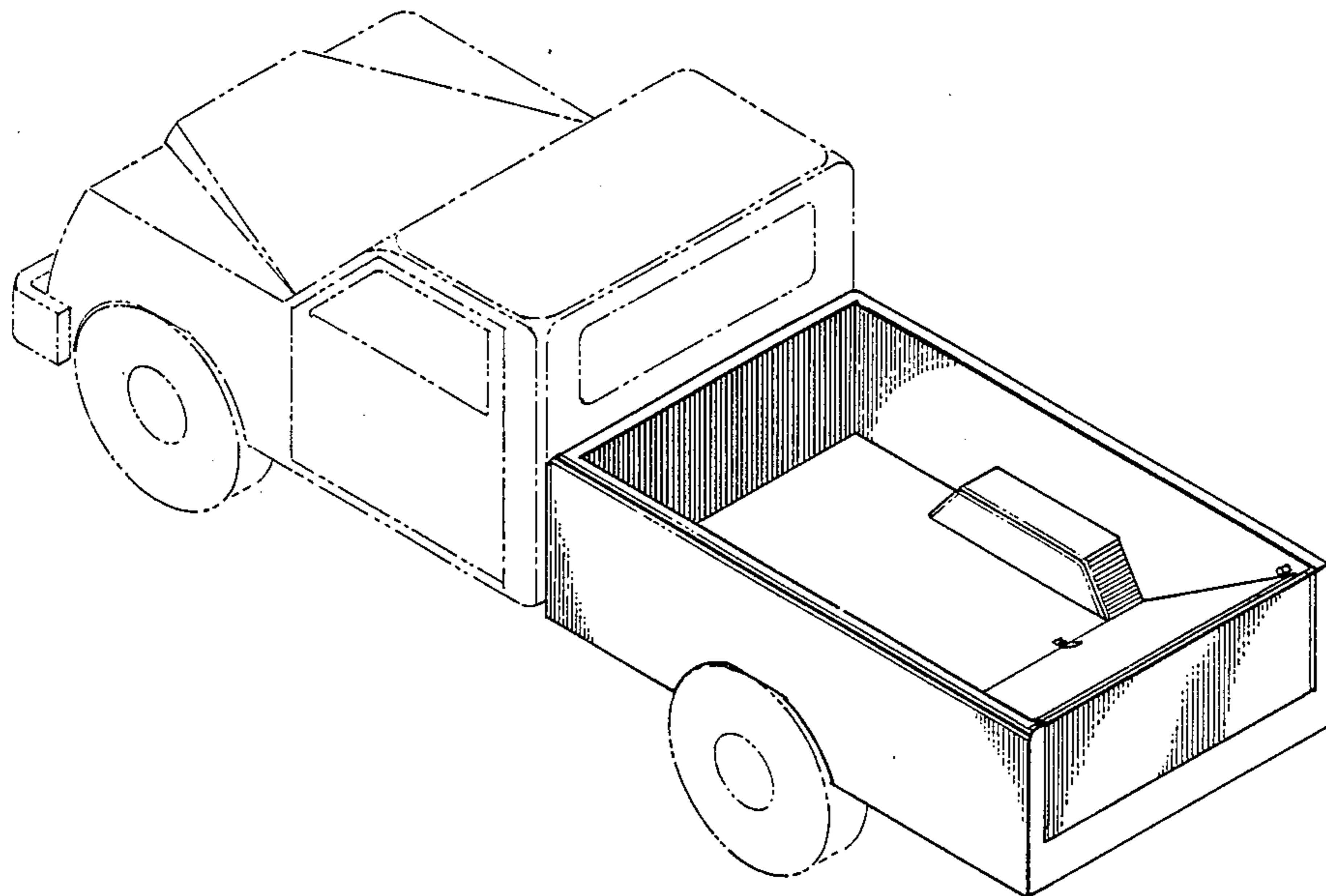
FIG. 1 is a top rear perspective view of a truck bed showing my new design, it being understood that the broken lines are for illustrative purposes only and form no part of the claimed design;

FIG. 2 is a side elevation view thereof, the opposite side being a mirror of that shown;

FIG. 3 is a rear elevation view thereof; and

FIG. 4 is a top plan view thereof.

The front of the truck bed is understood to be flat and unornamented.



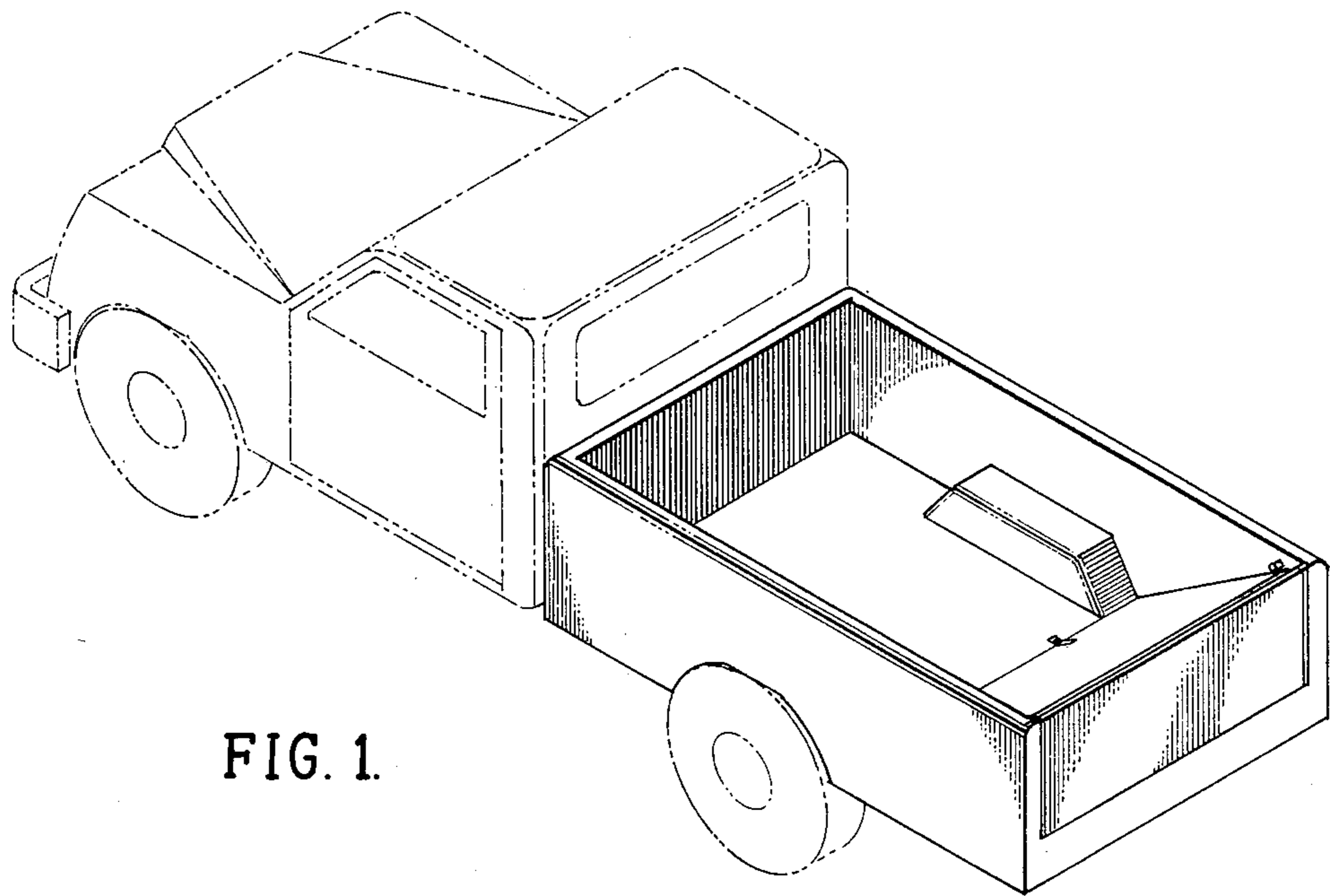


FIG. 1.

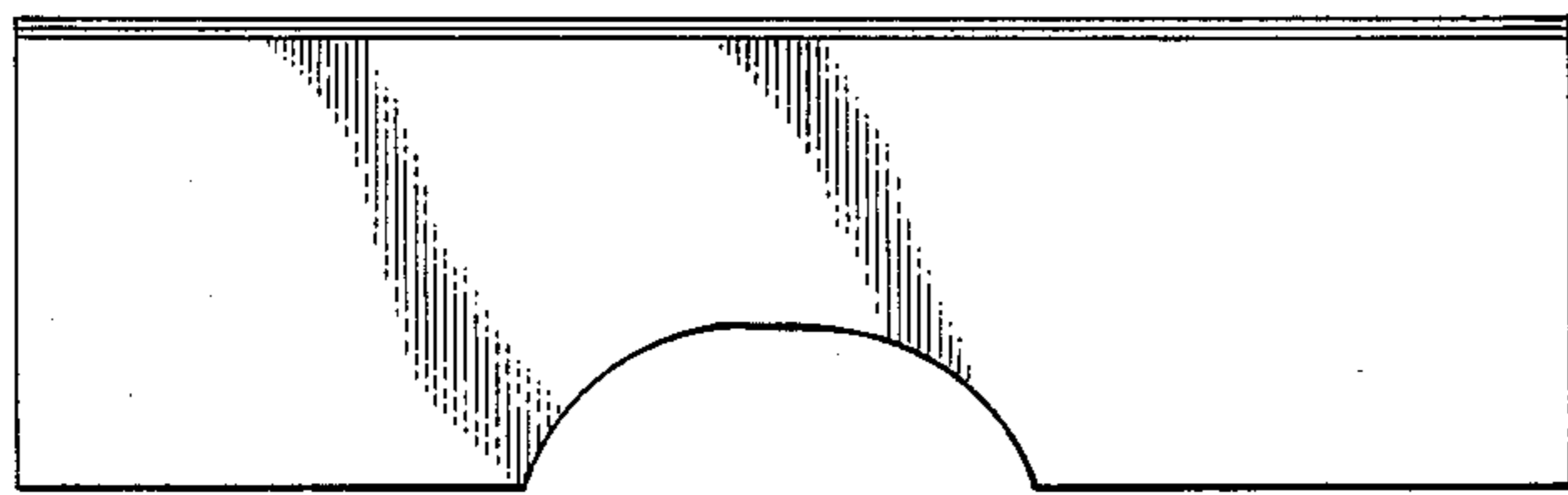


FIG. 2.

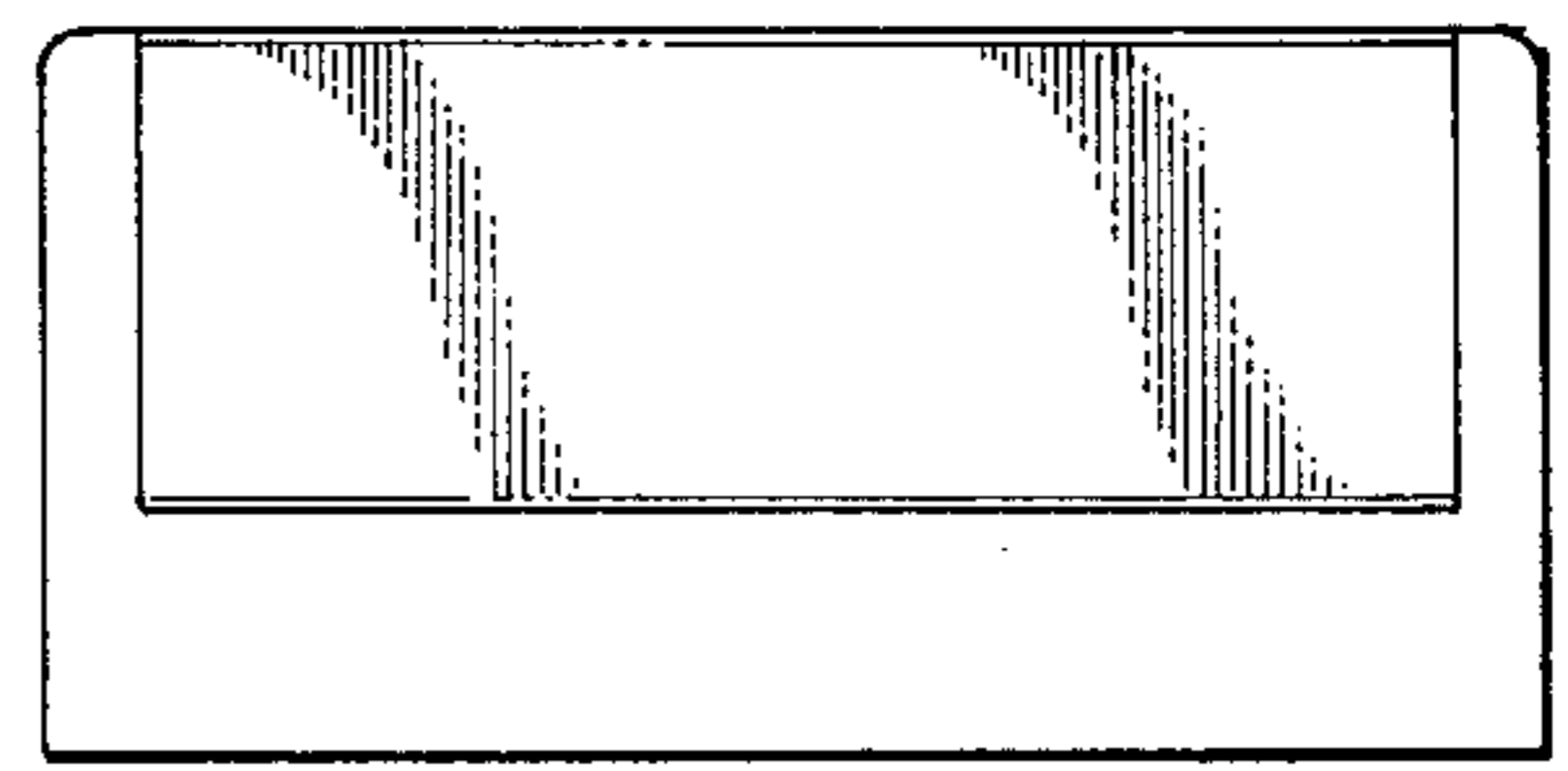


FIG. 3.

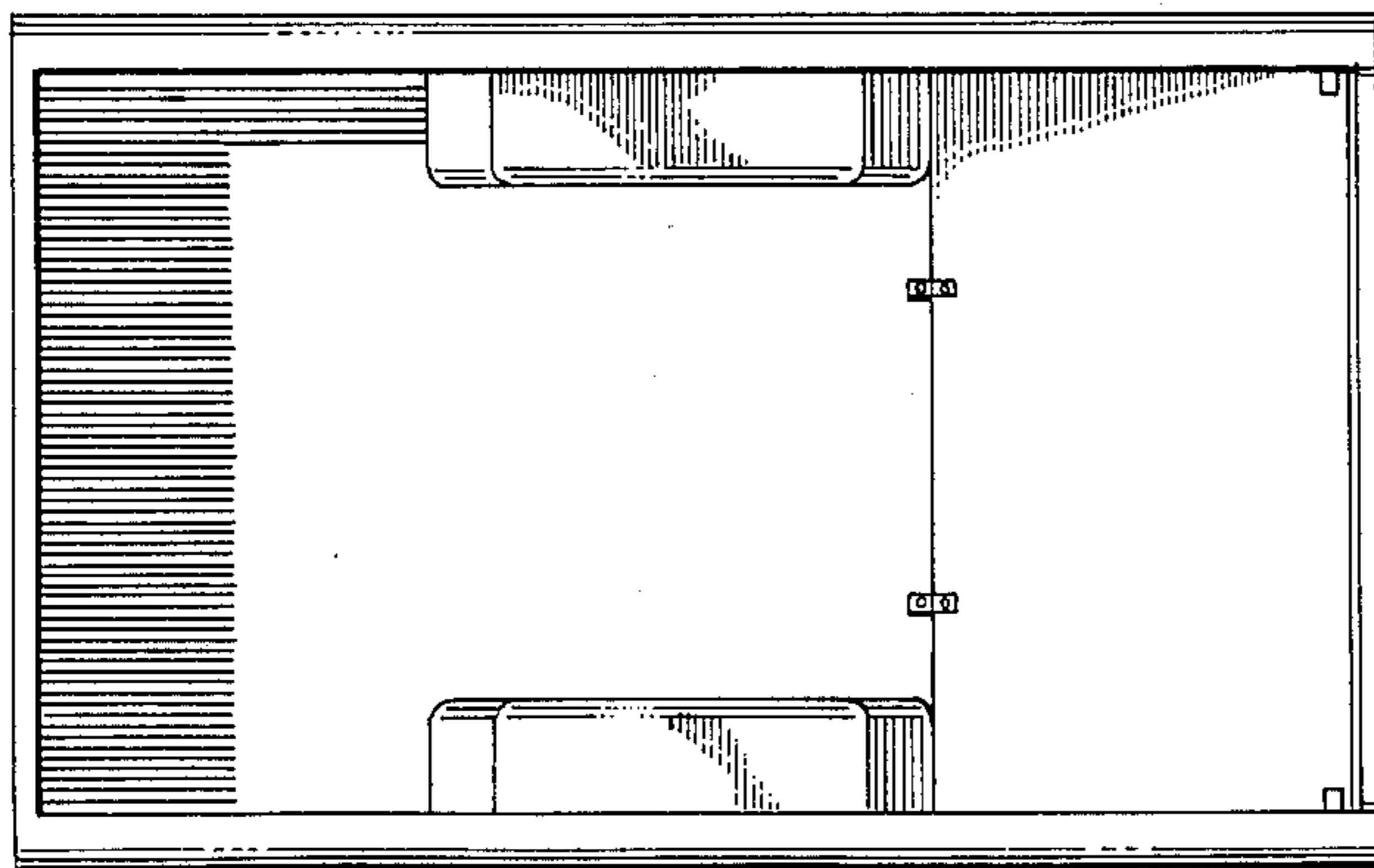


FIG. 4.