

[54] DIETING SCALE OR THE LIKE

[75] Inventors: Jack D. Bankier, Northbrook, Ill.;  
Kenneth J. Muderlak, Shorewood,  
Wis.

[73] Assignee: Lifestyle Technologies, Inc.,  
Highland Park, Ill.

[\*\*] Term: 14 Years

[21] Appl. No.: 893,499

[22] Filed: Aug. 6, 1986

[52] U.S. Cl. .... D10/91; D10/94 X

[58] Field of Search ..... D10/87-94,  
D10/91; 177/243, 262, 246, 256, 25.15, 25.16,  
25.19

[56] References Cited

U.S. PATENT DOCUMENTS

- D. 256,103 7/1980 Mox ..... D10/91
- D. 265,467 7/1982 Perrier ..... D10/91
- D. 269,600 7/1983 Mox ..... D10/91

OTHER PUBLICATIONS

*Home Furn. Daily*-1/15/79-SFC. 2, p. 42-Scale at top--  
left.

Hong Kong Enterprises-6/84-p. 31-Scale at top--cen-  
ter.

Hong Kong Enterprises-6/85-p. 17-Scales at bottom--  
right.

*Primary Examiner*-Nelson C. Holtje  
*Attorney, Agent, or Firm*-Leydig, Voit & Mayer

[57] CLAIM

The ornamental design for a dieting scale or the like, as  
shown.

DESCRIPTION

FIG. 1 is a left front elevational perspective view of a  
dieting scale or the like showing our new design, with  
the measuring bowl inverted to serve as a cover for  
storage;

FIG. 2 is a right side elevational view thereof;

FIG. 3 is a top plan view thereof;

FIG. 4 is a rear elevational view thereof;

FIG. 5 is a left front elevational perspective view  
thereof with the measuring bowl in a normal weighing  
position;

FIG. 6 is a top plan view of the dieting scale shown in  
FIG. 5;

FIG. 7 is a right side elevational view thereof; and

FIG. 8 is a rear elevational view thereof.

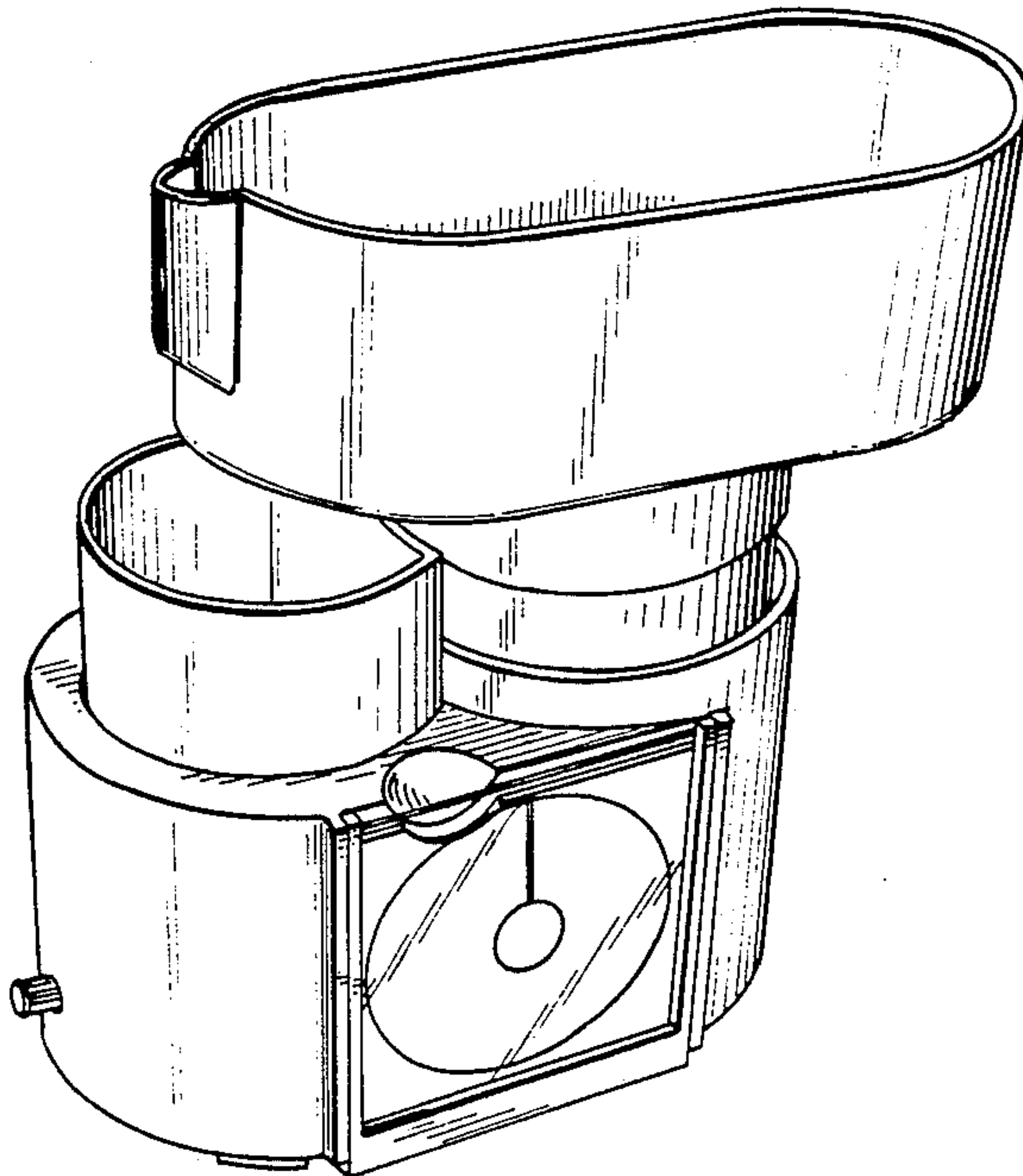


FIG. 1

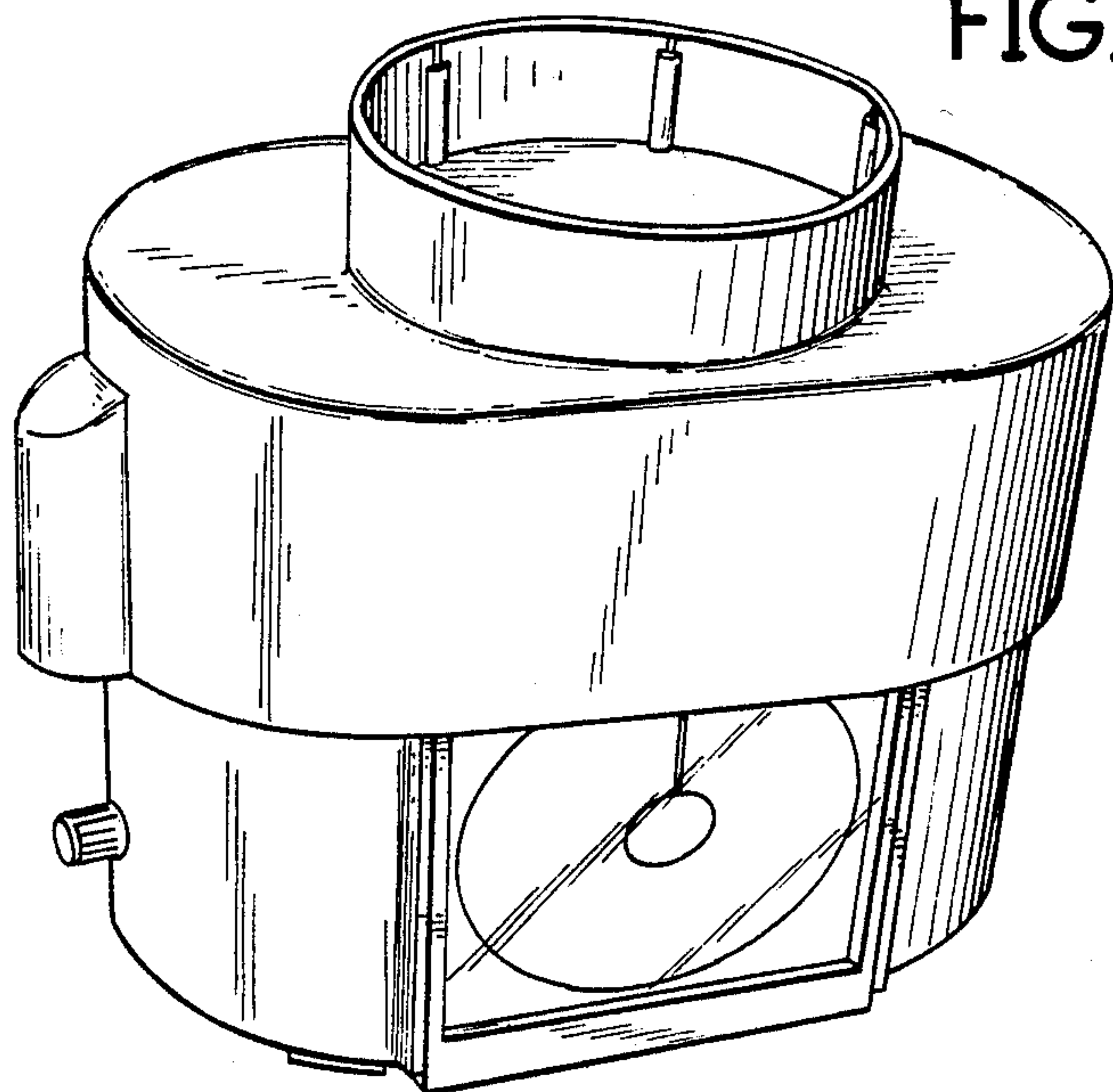


FIG. 2

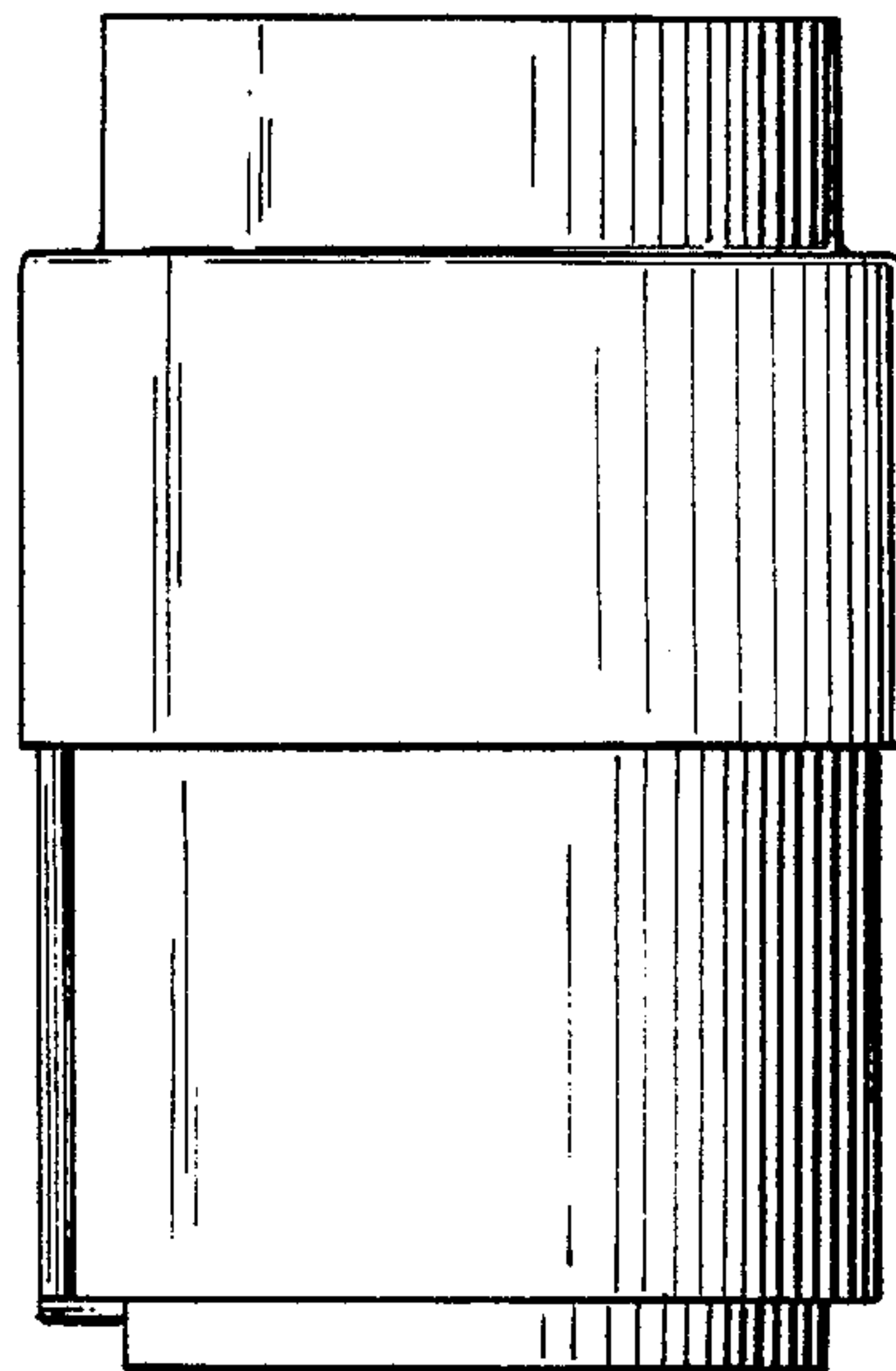


FIG. 3

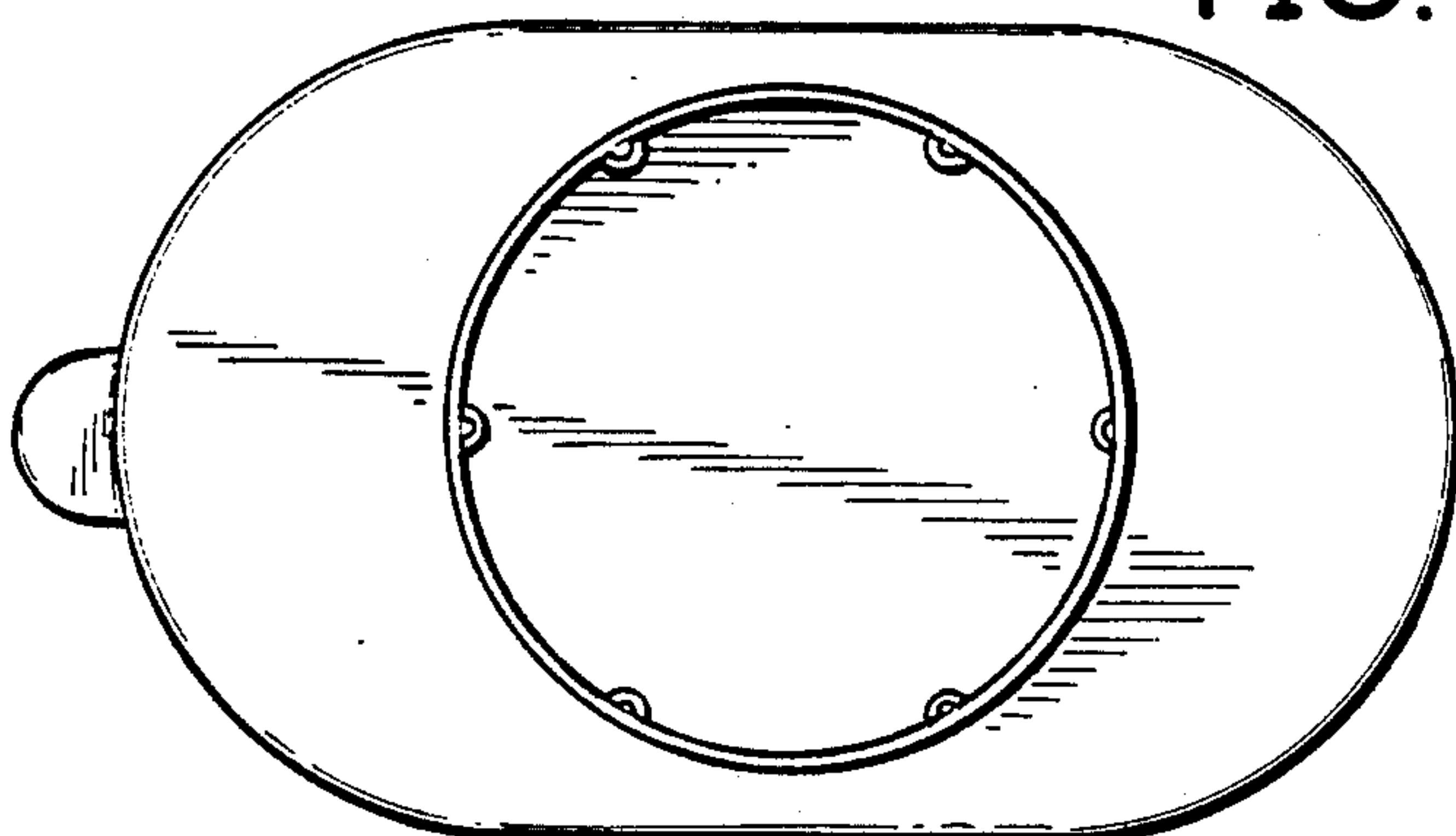
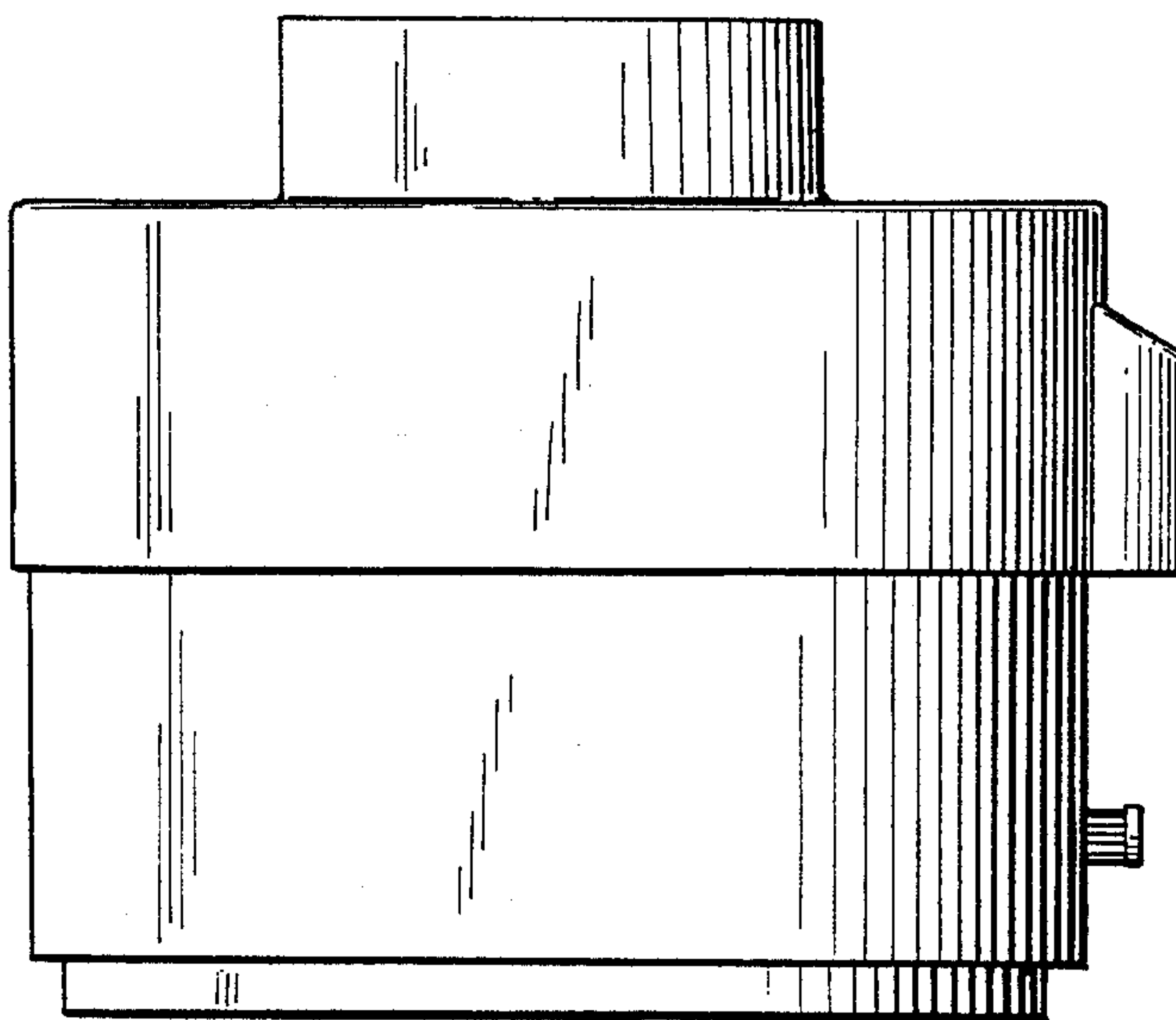


FIG. 4



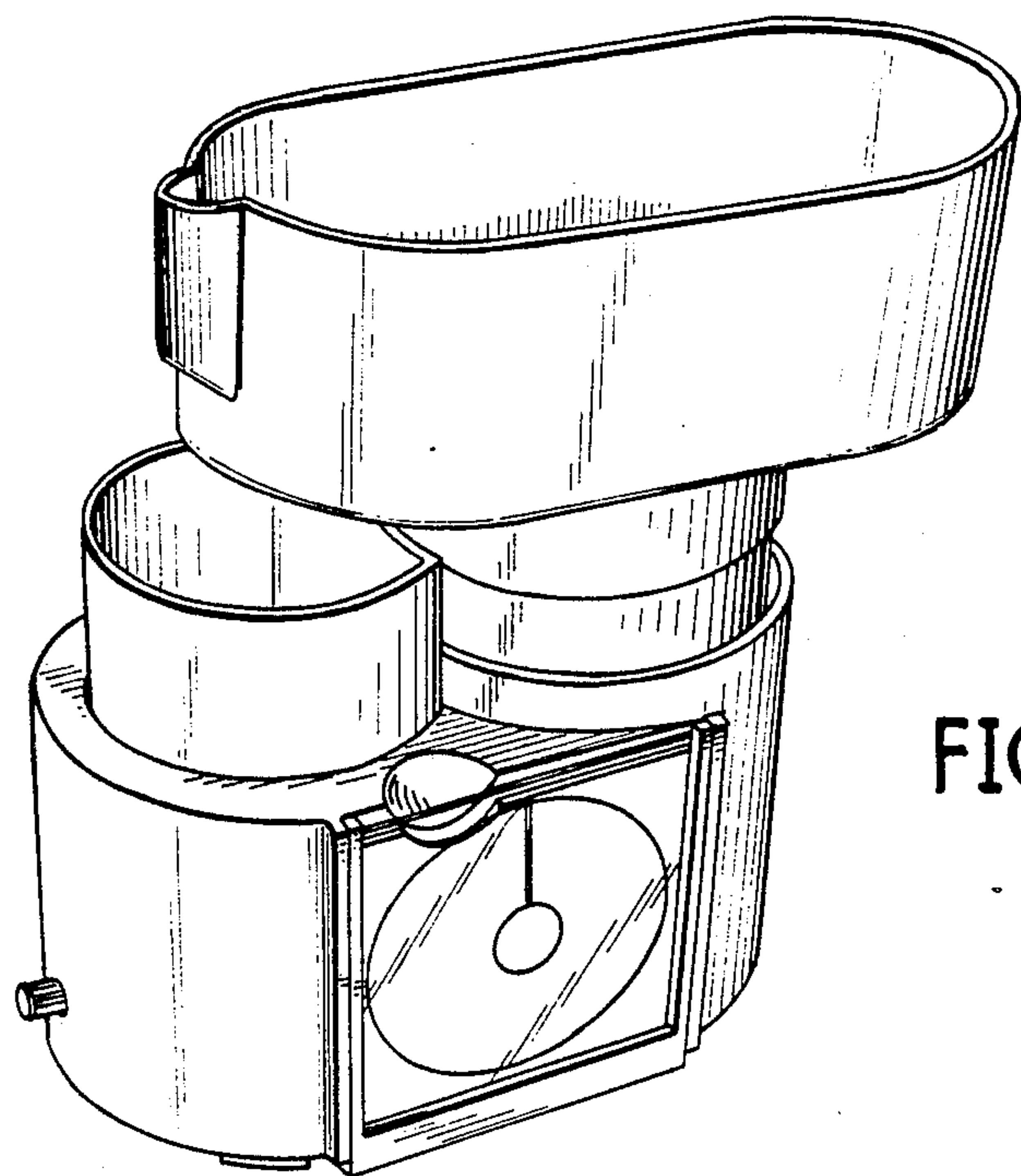


FIG. 5

FIG. 6

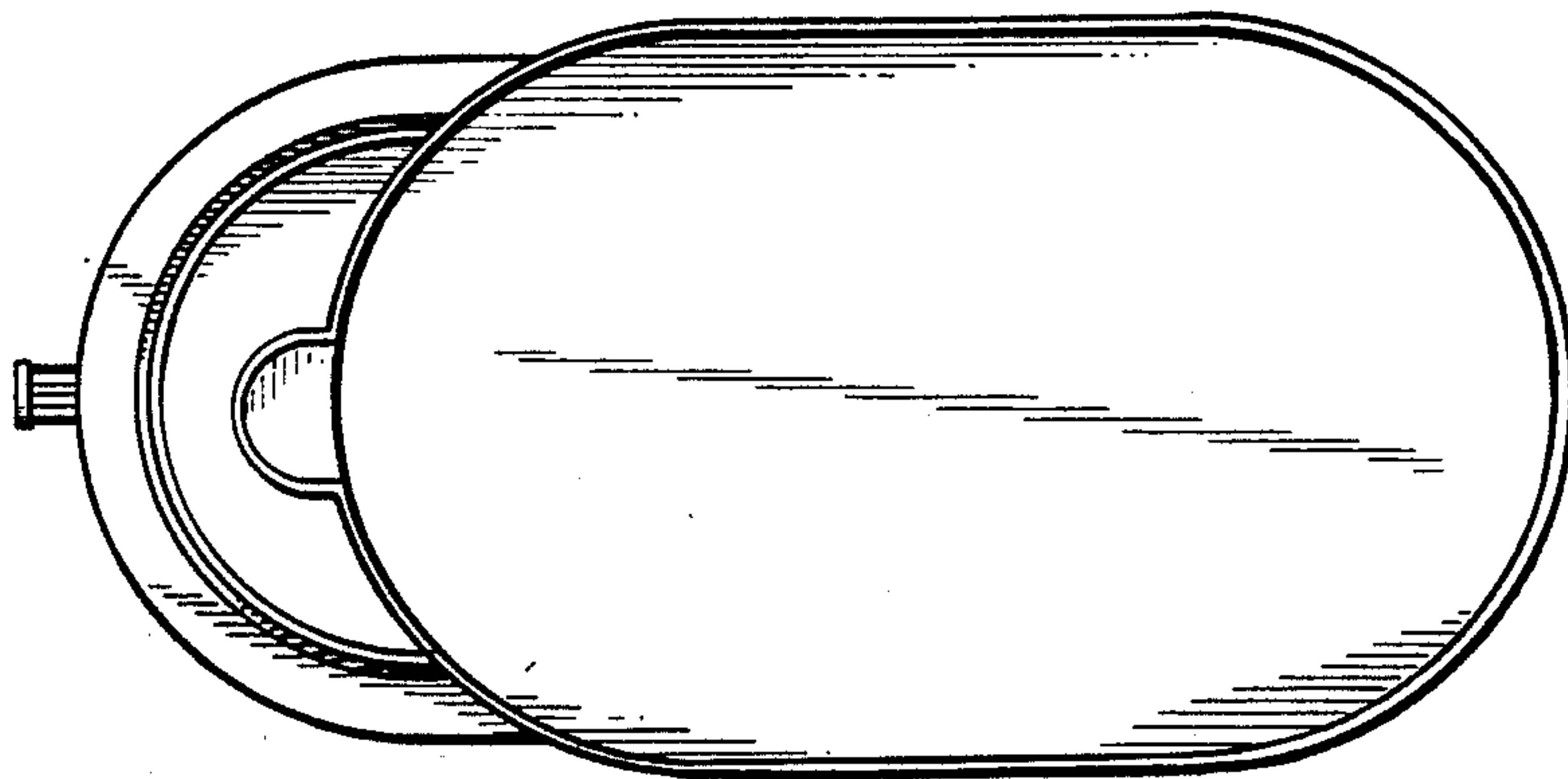


FIG. 7

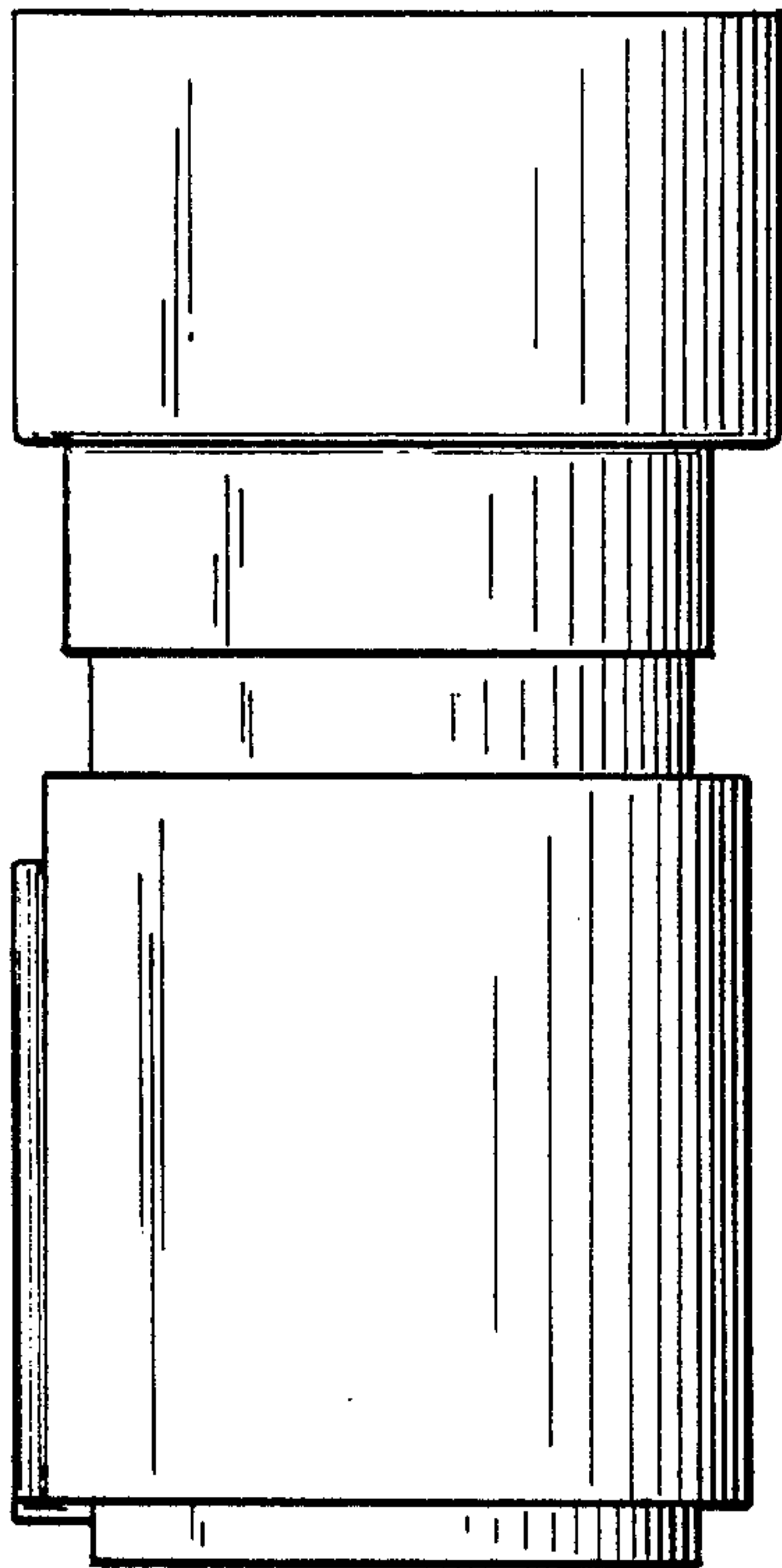


FIG. 8

