

[54] THERMOMETER WITH AN EXTERNAL SENSOR

[75] Inventor: Raymond Chan, Hong Kong, Hong Kong

[73] Assignee: Integrated Display Technology, Ltd., Hong Kong

[\*\*] Term: 14 Years

[21] Appl. No.: 945,322

[22] Filed: Dec. 22, 1986

[30] Foreign Application Priority Data

Jul. 28, 1986 [GB] United Kingdom ..... 1035662  
[52] U.S. Cl. .... D10/57; D10/103  
[58] Field of Search ..... D10/57, 60, 102, 103, D10/75, 78; 374/208, 170, 179-181, 163-164

[56] References Cited

U.S. PATENT DOCUMENTS

D. 245,586 8/1977 McGlynn ..... D10/57  
D. 255,997 7/1980 Maeda ..... D10/57  
D. 292,494 10/1987 King ..... D10/57

D. 293,215 12/1987 Bruno ..... D10/57  
3,367,186 2/1968 Ensign ..... 374/163 X  
3,540,283 11/1970 Dean ..... 374/164  
4,133,208 1/1979 Parlanti ..... 374/170  
4,206,649 6/1980 Nagaie ..... 374/170  
4,416,553 11/1983 Huebscher ..... 374/179  
4,487,208 12/1984 Kamens ..... 374/170 X

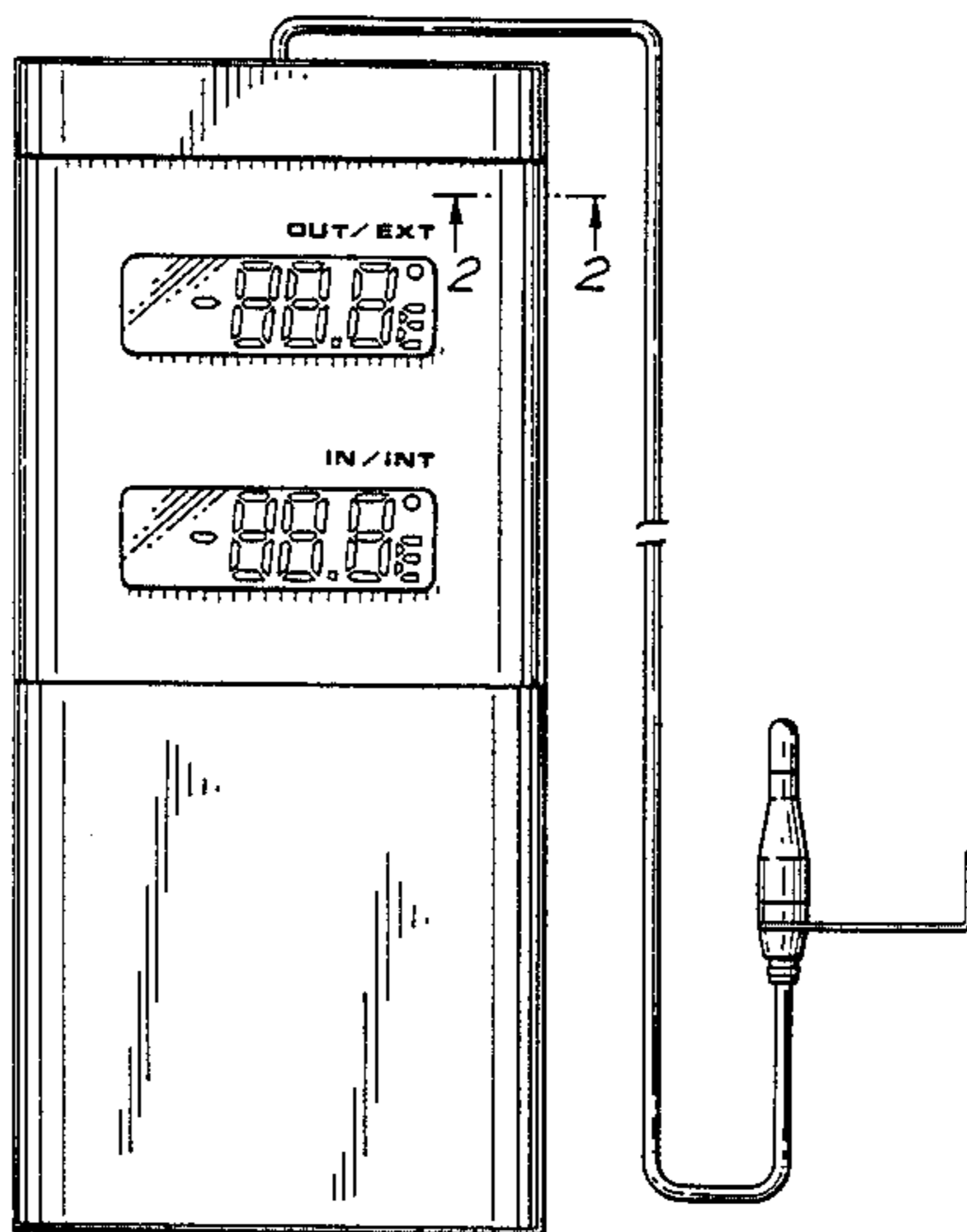
Primary Examiner—Nelson C. Holtje  
Attorney, Agent, or Firm—Warren B. Kice

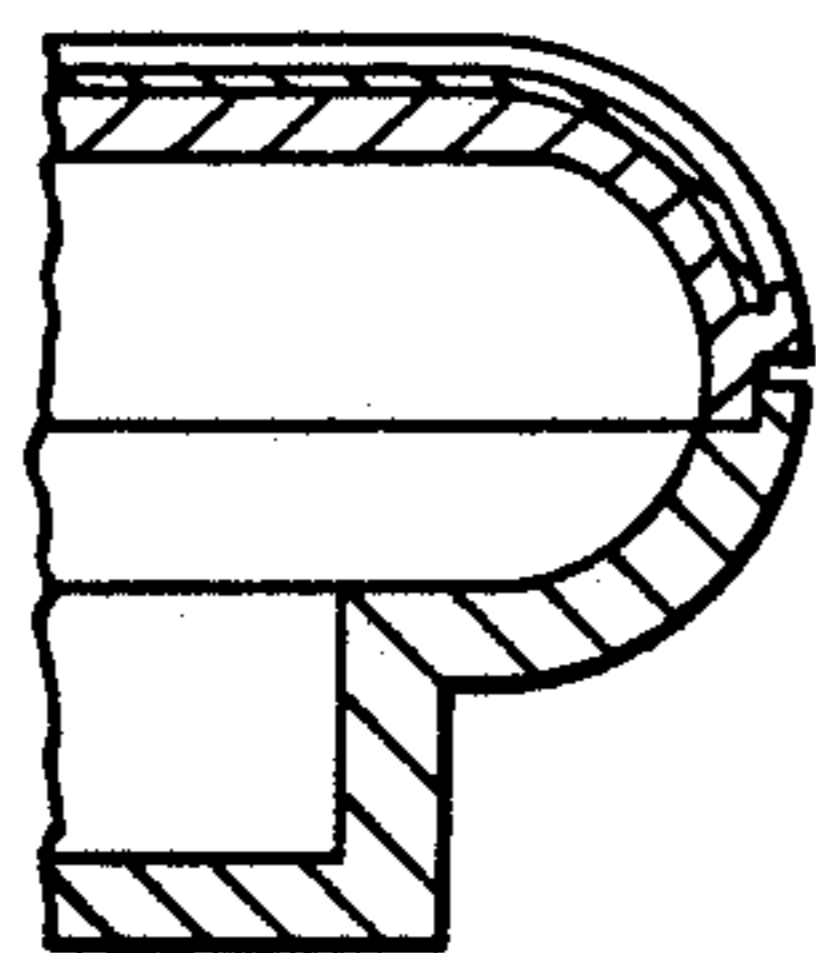
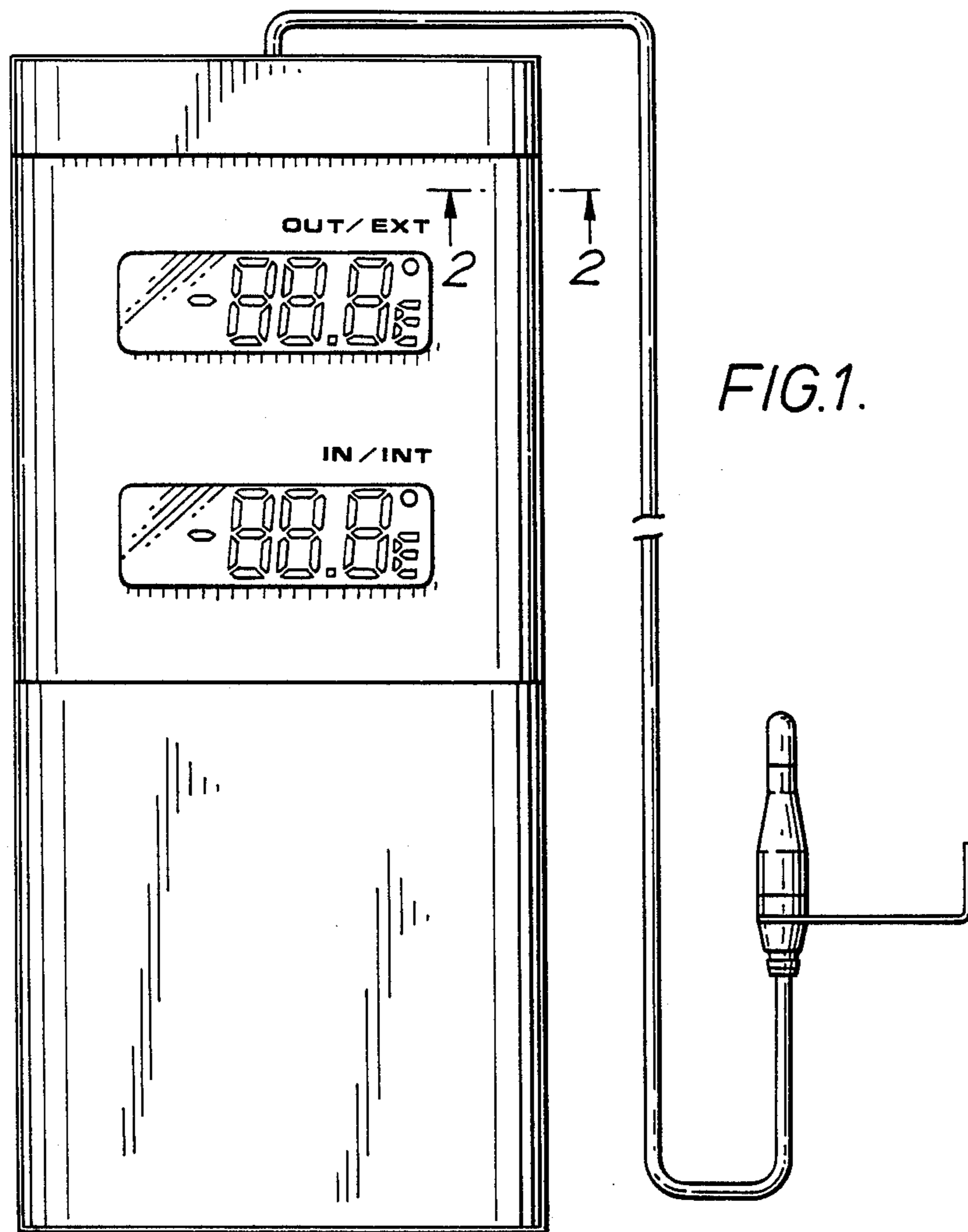
[57] CLAIM

The ornamental design for a thermometer with an external sensor, as shown.

DESCRIPTION

FIG. 1 is a front elevational view of a thermometer with an external sensor showing my new design;  
FIG. 2 is an enlarged fragmentary cross-sectional view thereof as taken from line 2—2 of FIG. 1;  
FIG. 3 is a right side elevational view thereof, the left view being a mirror image thereof;  
FIG. 4 is a rear elevational view thereof;  
FIG. 5 is a bottom plan view thereof;  
The probe and/or cable is shown broken-away in FIGS. 1 and 3-4 for ease of illustration.





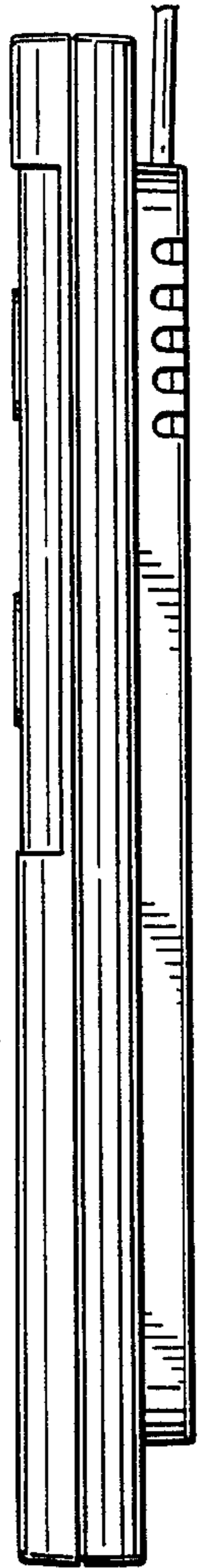


FIG. 3.

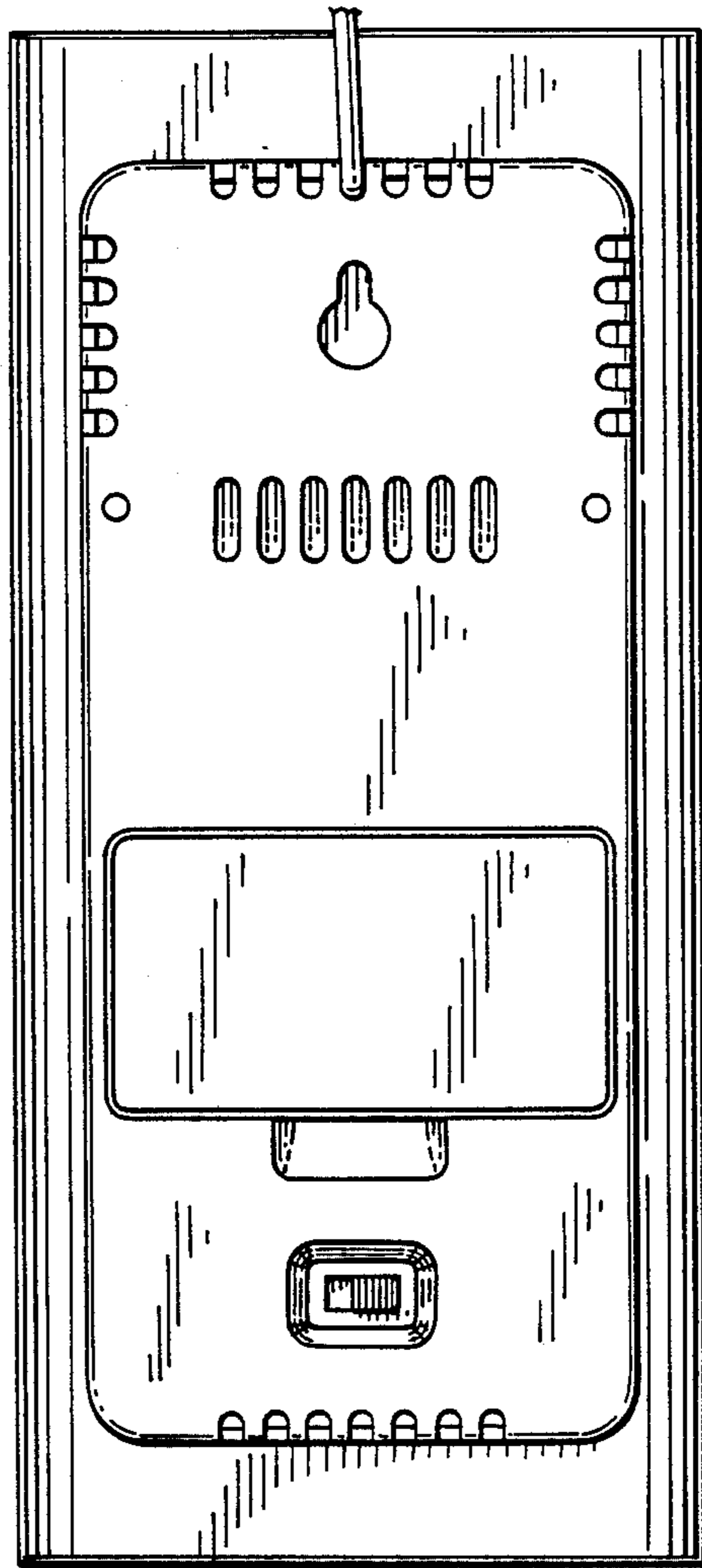


FIG. 4.



FIG. 5.