

[54] COMBINED DISPENSING NOZZLE AND CAP FOR A PRESSURIZED CONTAINER

[75] Inventor: Carl S. Ahlberg, Minneapolis, Minn.

[73] Assignee: Minnesota Mining and Manufacturing Company, St. Paul, Minn.

[**] Term: 14 Years

[21] Appl. No.: 923,731

[22] Filed: Oct. 24, 1986

[52] U.S. Cl. D9/448; D9/446

[58] Field of Search D23/213, 222-230; D9/300, 445-448; 141/325-327, 379; 222/182, 538, 540, 567, 570

[56] References Cited

U.S. PATENT DOCUMENTS

- D. 170,452 9/1953 Drell D9/448
- D. 176,402 12/1955 Biederman D9/447
- D. 178,638 9/1956 Chakine D23/213
- D. 185,179 5/1959 Tupper D9/446 X

- D. 227,085 6/1973 Nigro D9/448
- D. 242,327 11/1976 Schneider D9/447
- 2,808,183 10/1957 Olson et al. D23/213 X
- 2,954,903 10/1960 Collins D9/448 X
- 4,728,007 3/1988 Samuelson et al. 222/182

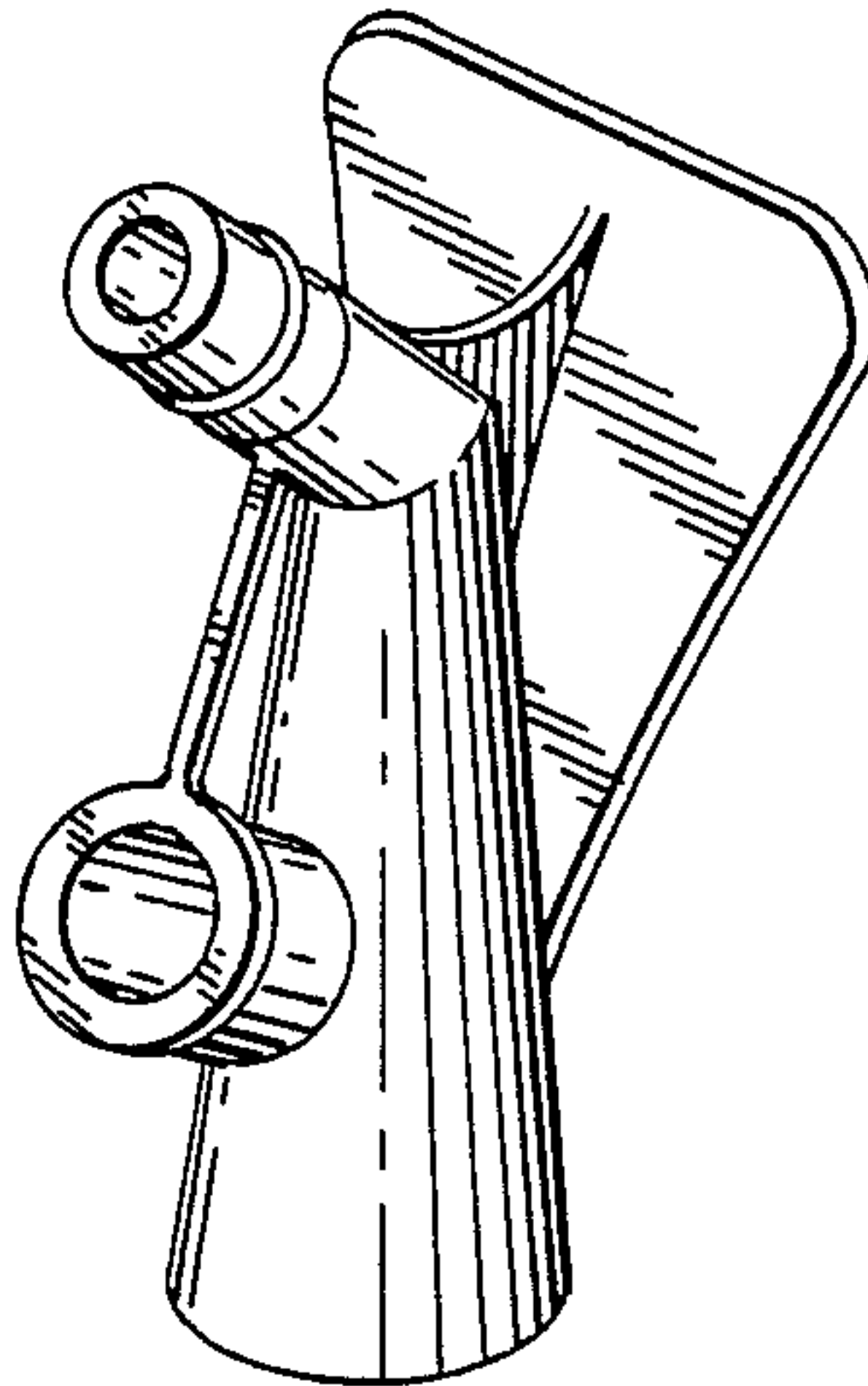
Primary Examiner—James R. Lergen
Attorney, Agent, or Firm—Donald M. Sell; William L. Huebsch

[57] CLAIM

The ornamental design for a combined dispensing nozzle and cap for a pressurized container, as shown and described.

DESCRIPTION

FIG. 1 is a perspective view of a combined dispensing nozzle and cap for a pressurized container showing my new design;
 FIG. 2 is a left side elevational view thereof, the right side view being a mirror image of the left side shown;
 FIG. 3 is a front elevational view thereof;
 FIG. 4 is a rear elevational view thereof;
 FIG. 5 is a top plan view thereof; and
 FIG. 6 is a bottom plan view thereof.



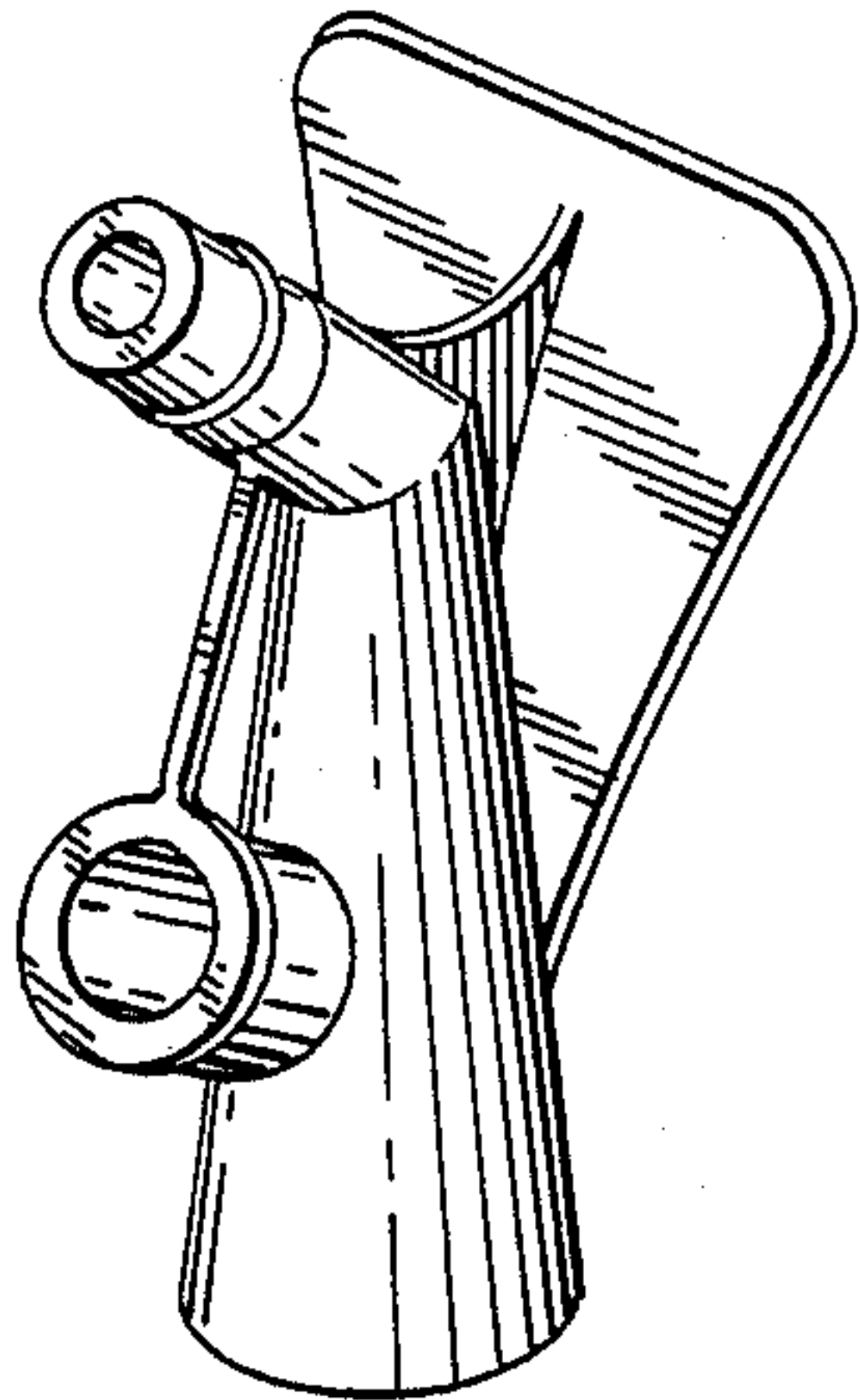


FIG. 1

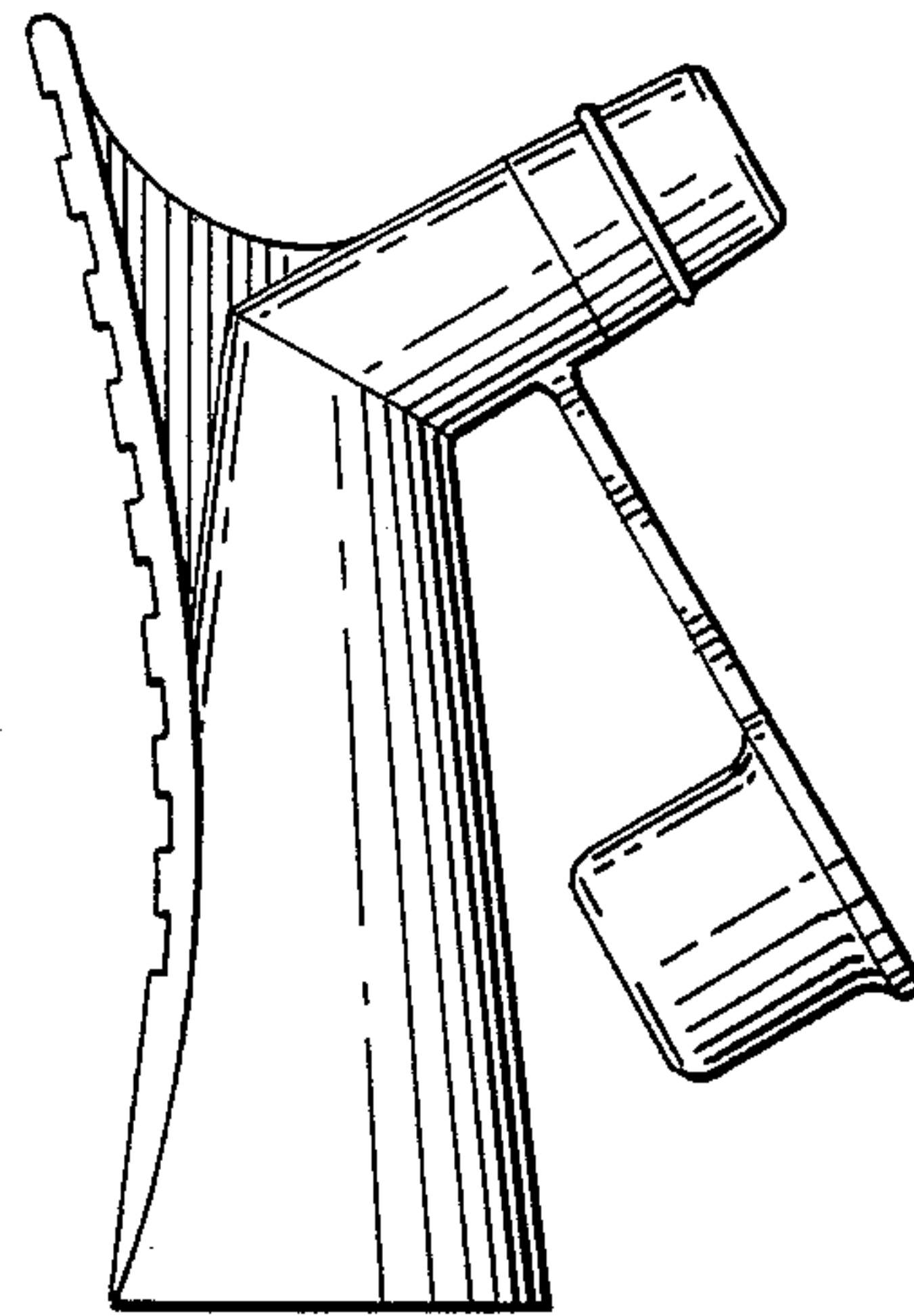


FIG. 2

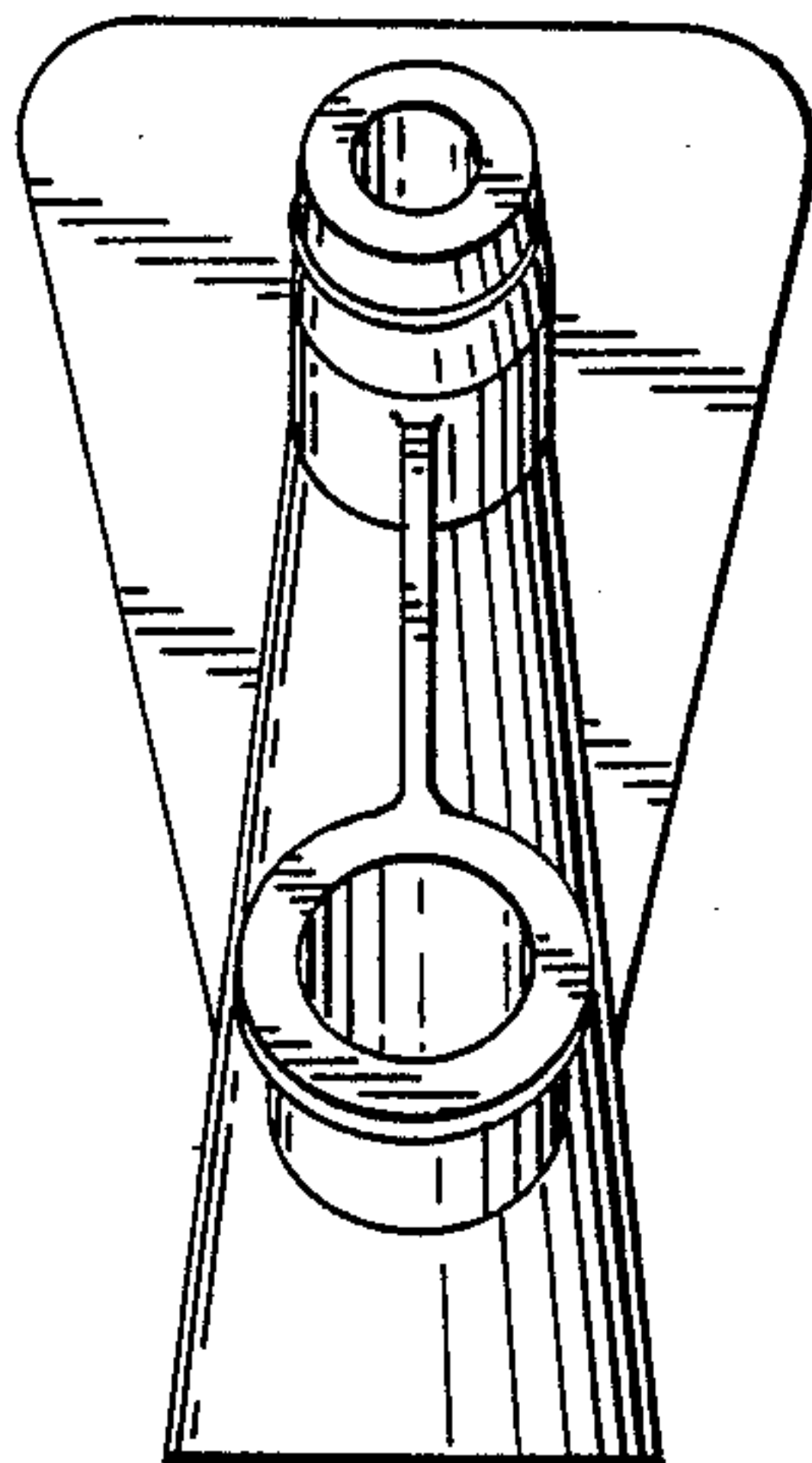


FIG. 3

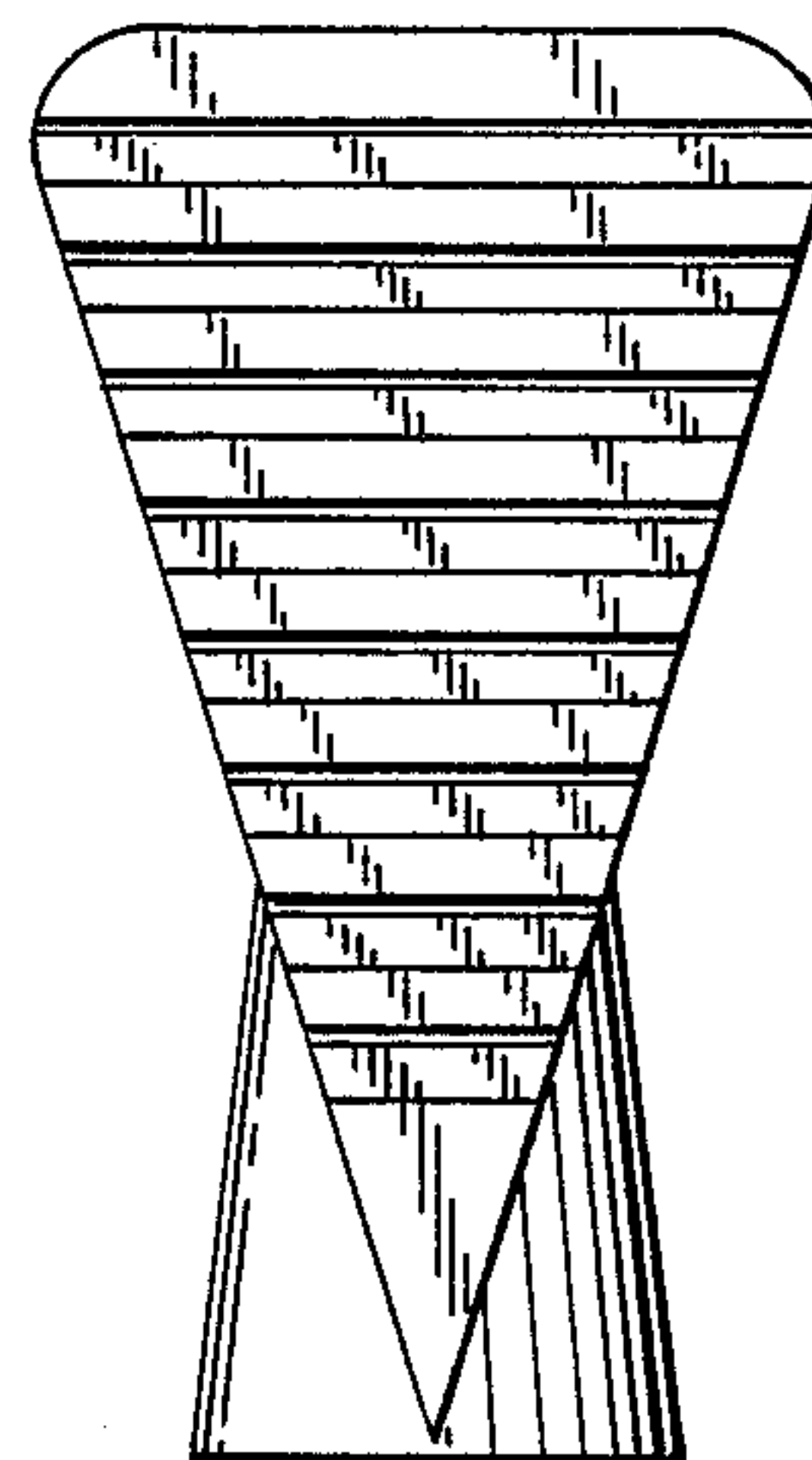


FIG. 4

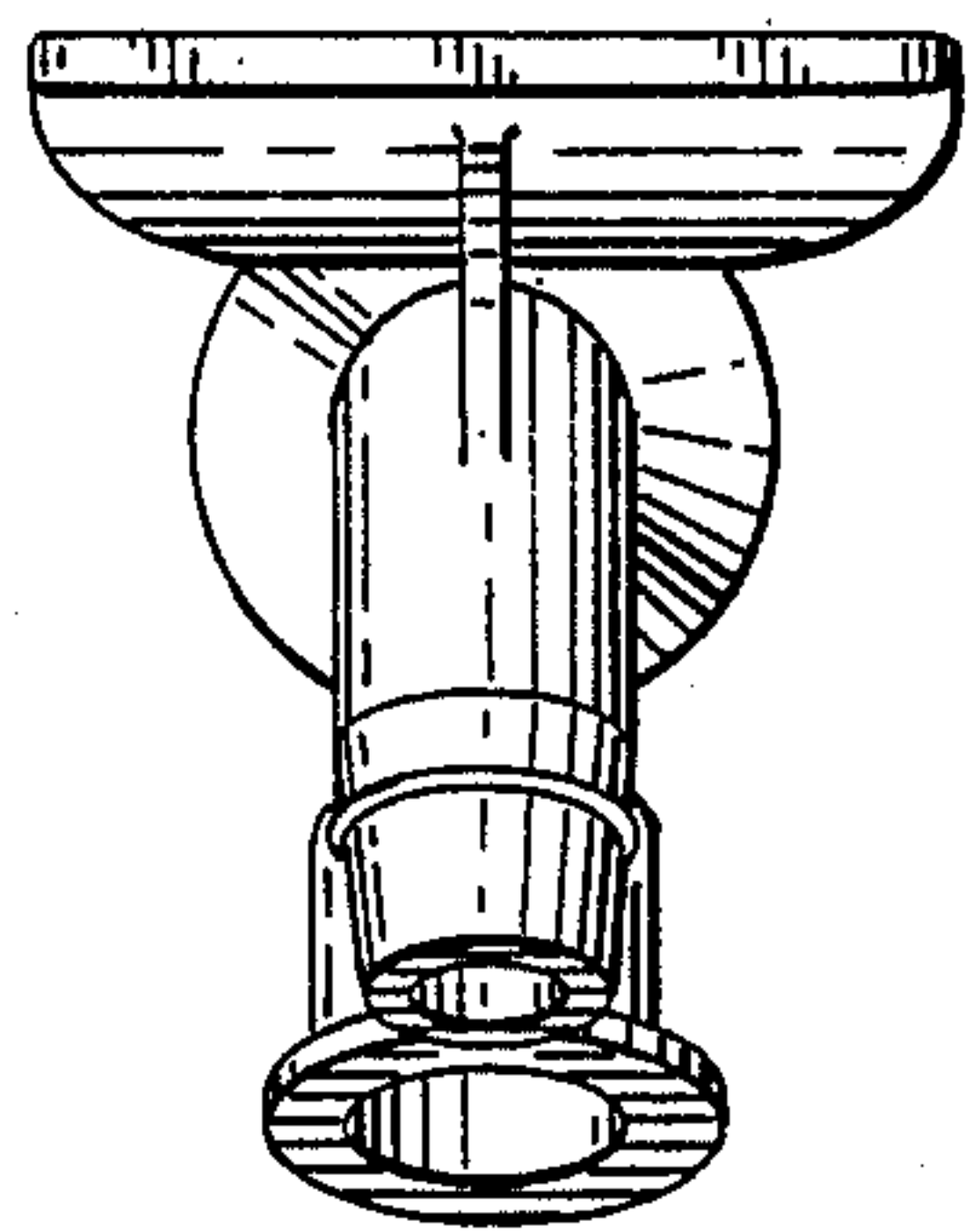


FIG. 5

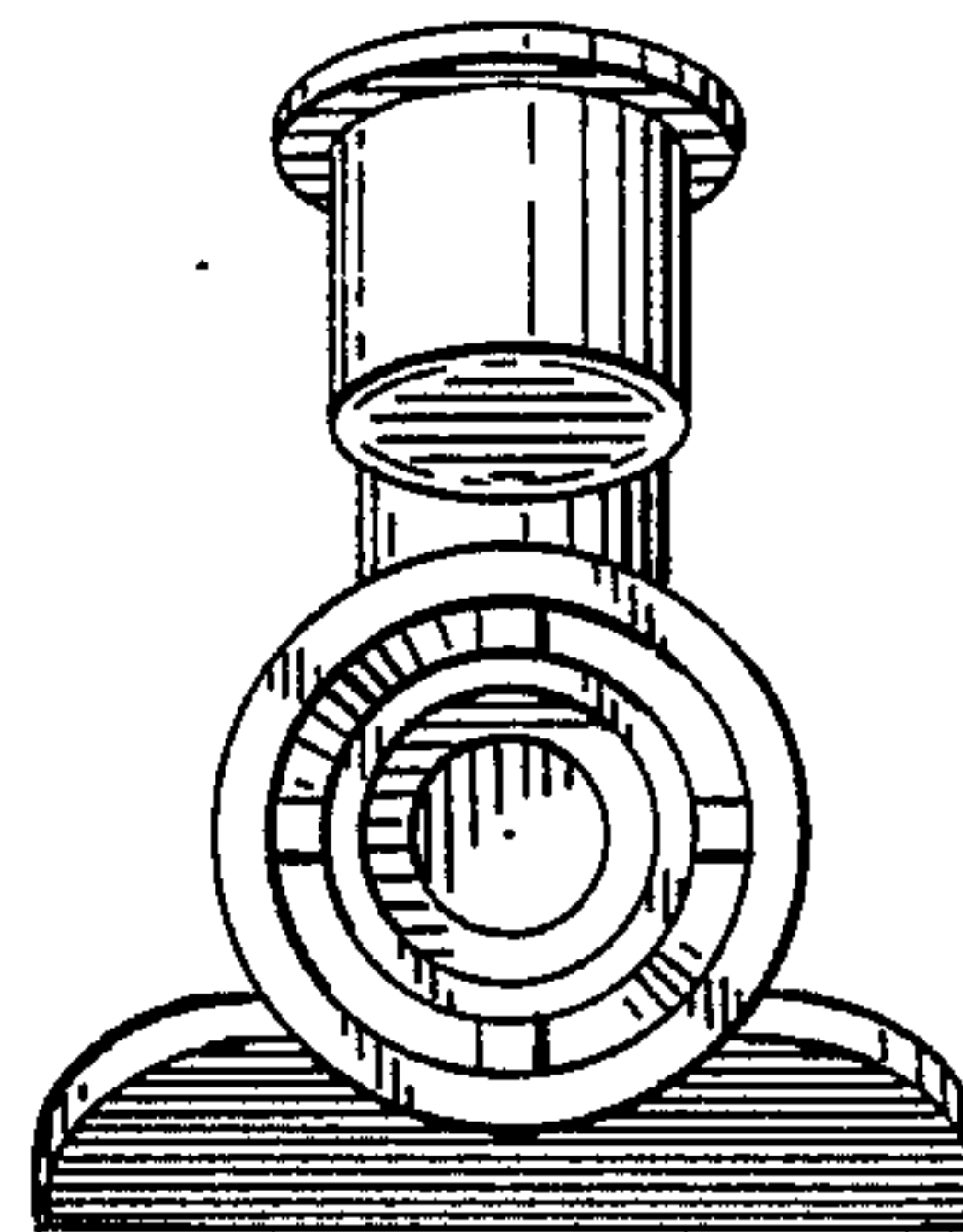


FIG. 6