

[54] **SUITCASE**

[75] **Inventor: Volker Zitt, Frankenthal, Fed. Rep. of Germany**

[73] **Assignee: ZIKA-Plastik GmbH, Frankenthal, Fed. Rep. of Germany**

[\*\*] **Term: 14 Years**

[21] **Appl. No.: 847,032**

[22] **Filed: Mar. 25, 1986**

[52] **U.S. Cl. .... D3/76**

[58] **Field of Search ..... 190/18 R, 109, 100, 190/111, 125, 37, 112, 110; D3/30.1, 76, 71, 70, 74, 35; 150/52 B, 103, 117; 383/106; 312/244**

[56] **References Cited**

**U.S. PATENT DOCUMENTS**

D. 287,429 12/1986 Esslinger ..... D3/76  
3,807,537 4/1974 O'Reilly ..... 383/106  
4,669,587 6/1987 Zitt ..... 190/109

**FOREIGN PATENT DOCUMENTS**

561564 10/1932 Fed. Rep. of Germany ..... D3/70

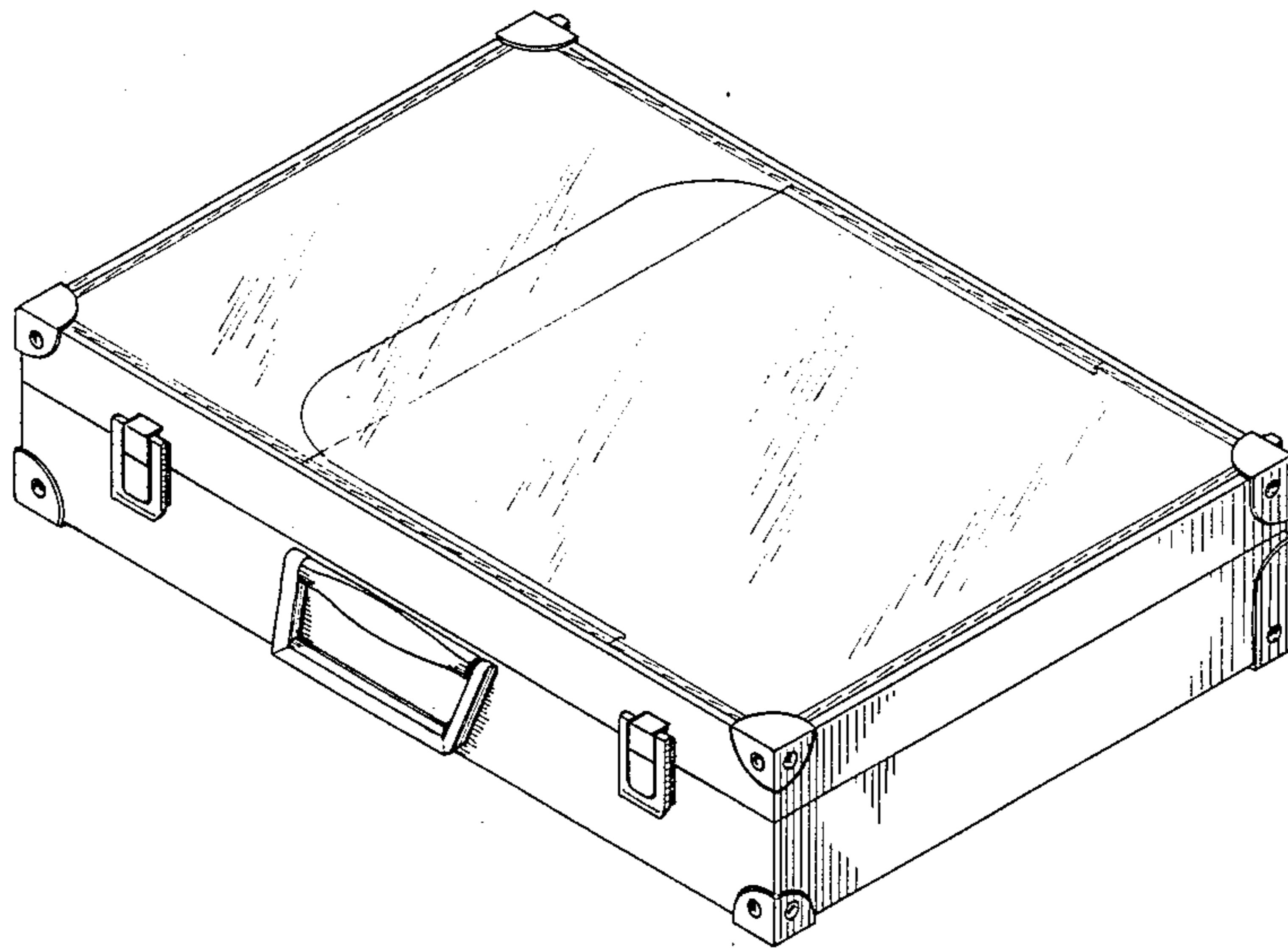
*Primary Examiner*—Bernard Ansher  
*Assistant Examiner*—Prabhakar Deshmukh  
*Attorney, Agent, or Firm*—Peter K. Kontler

[57] **CLAIM**

The ornamental design for a suitcase, as shown.

**DESCRIPTION**

FIG. 1 is a perspective view of the top and two lateral sides of a suitcase showing my new design; and FIG. 2 is a perspective view of the bottom and two other lateral sides thereof.



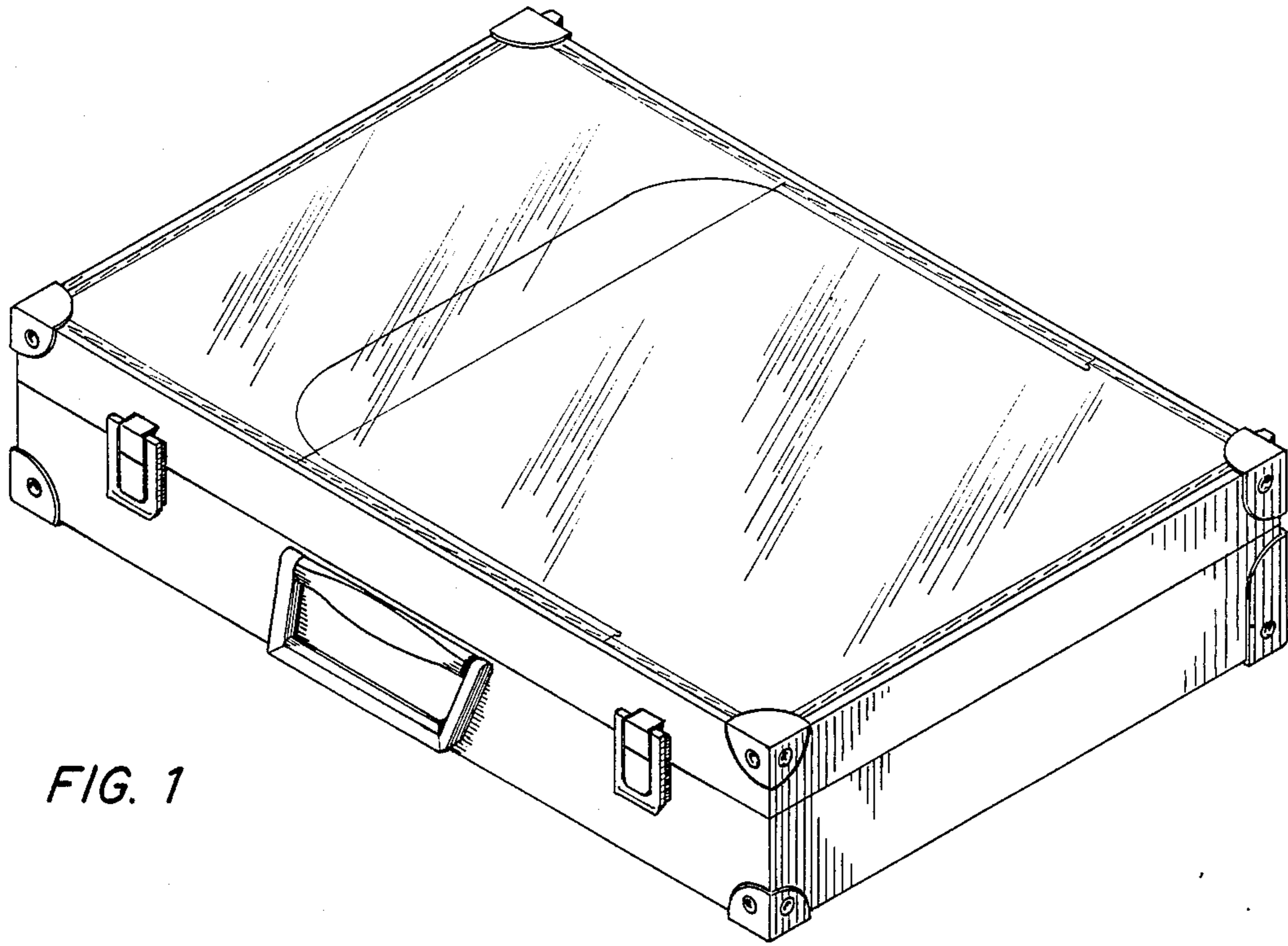


FIG. 1

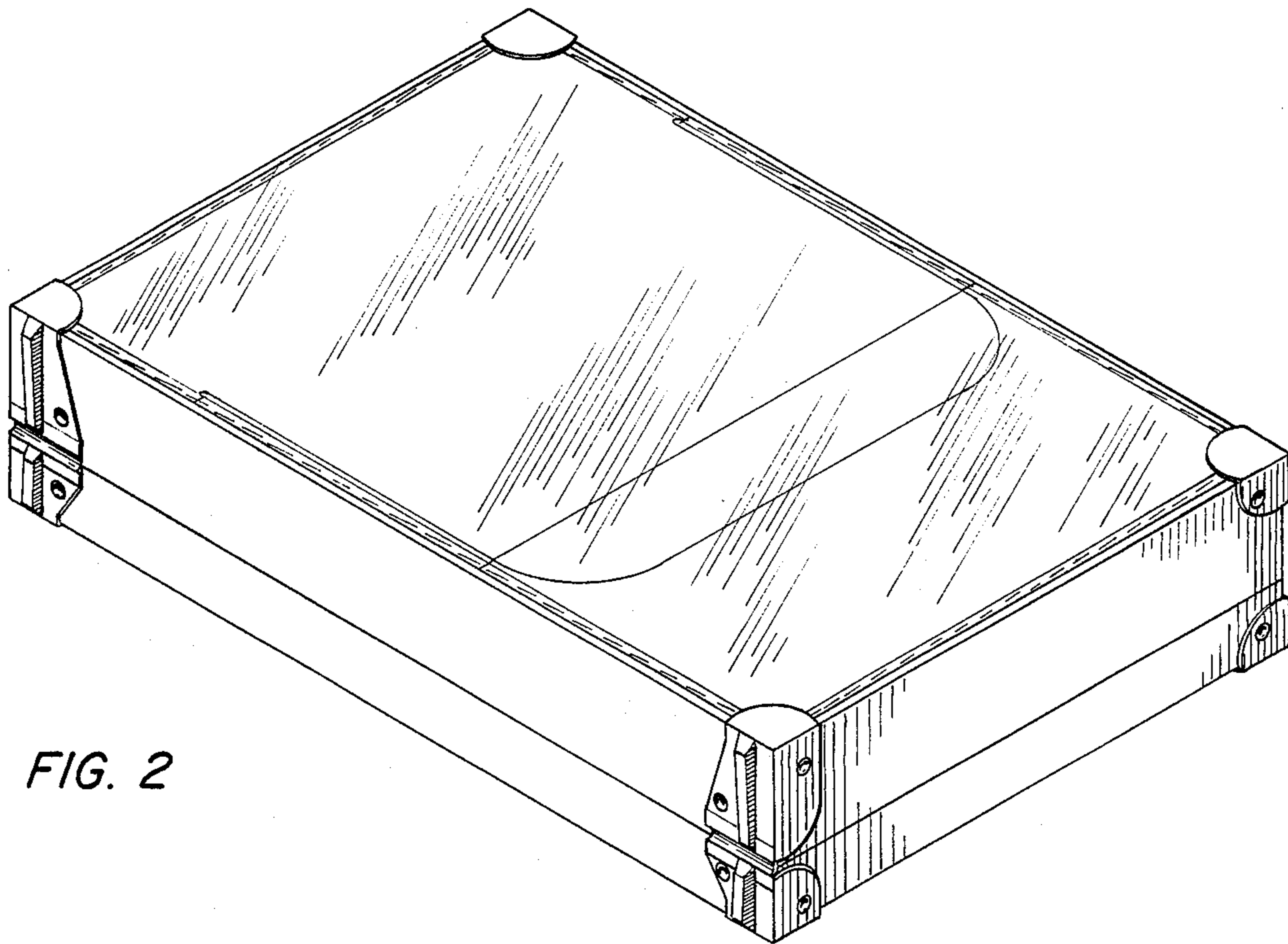


FIG. 2