

[54] HAMMER

[75] Inventor: Shintaro Tsuji, Tokyo, Japan

[73] Assignee: Sanrio Company, Ltd., Tokyo, Japan

[**] Term: 14 Years

[21] Appl. No.: 70,512

[22] Filed: Jul. 7, 1987

[52] U.S. Cl. D8/77; D8/75

[58] Field of Search D8/105, 75-81,
D8/107; 81/19-27, 489; 7/143-145, 122

[56] References Cited

U.S. PATENT DOCUMENTS

D. 182,076	2/1958	MacMinn	D8/77
141,930	8/1873	Holbrook	81/25
3,879,145	4/1975	Carmien et al.	81/20
4,558,726	12/1985	Clay	81/25

FOREIGN PATENT DOCUMENTS

251469 8/1948 Switzerland 81/25

Primary Examiner—Bruce W. Dunkins
Assistant Examiner—Clare E. Heflin
Attorney, Agent, or Firm—Owen, Wickersham &
Erickson

[57] CLAIM

The ornamental design for a hammer, as shown and described.

DESCRIPTION

FIG. 1 is a side elevational view of a hammer showing my new design, the opposite side being a mirror image; FIG. 2 is a front elevational view thereof, the rear view being a mirror image; FIG. 3 is a top plan view thereof; FIG. 4 is a bottom plan view thereof; FIG. 5 is a front perspective view thereof.

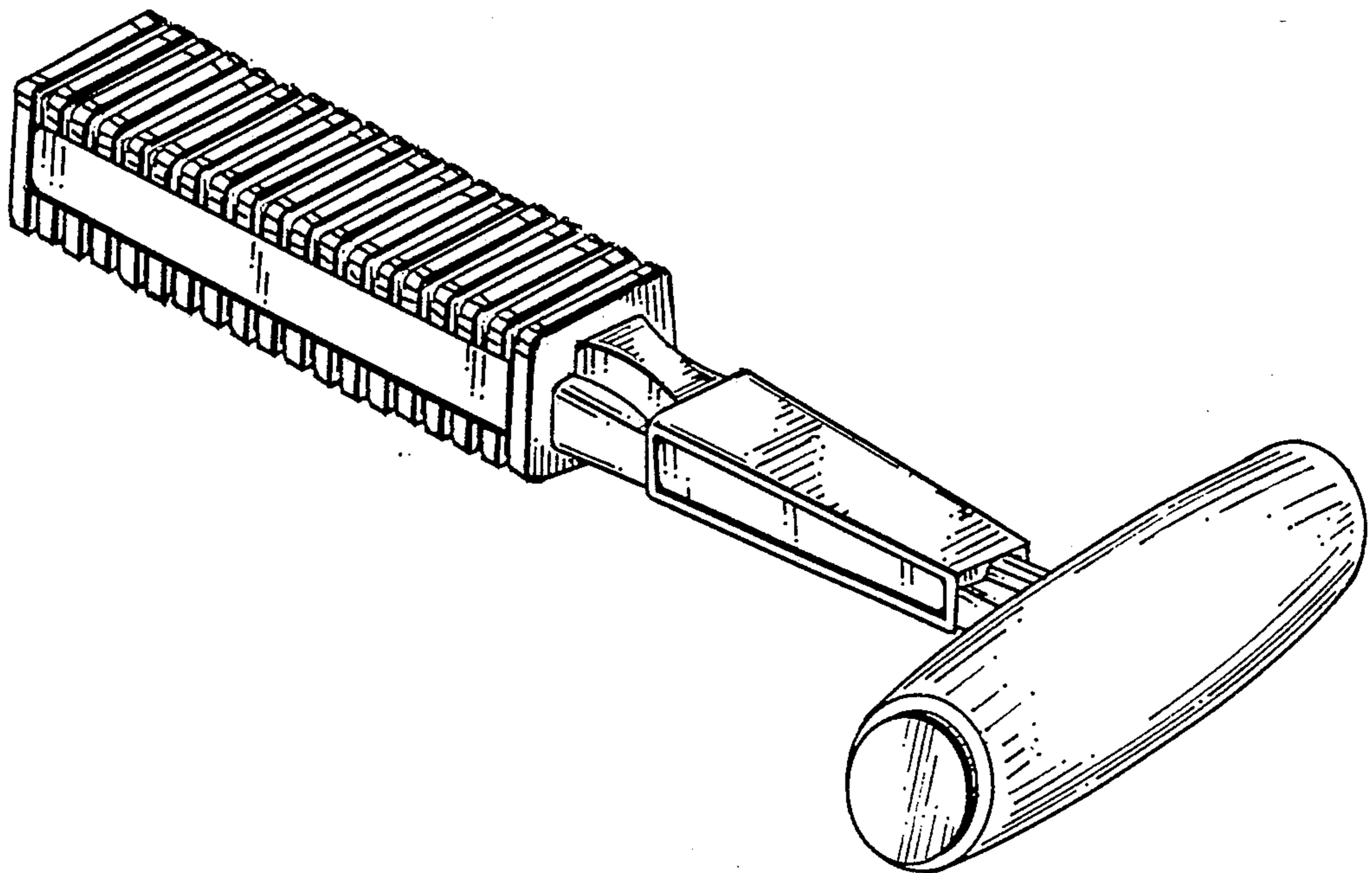


FIG. 4

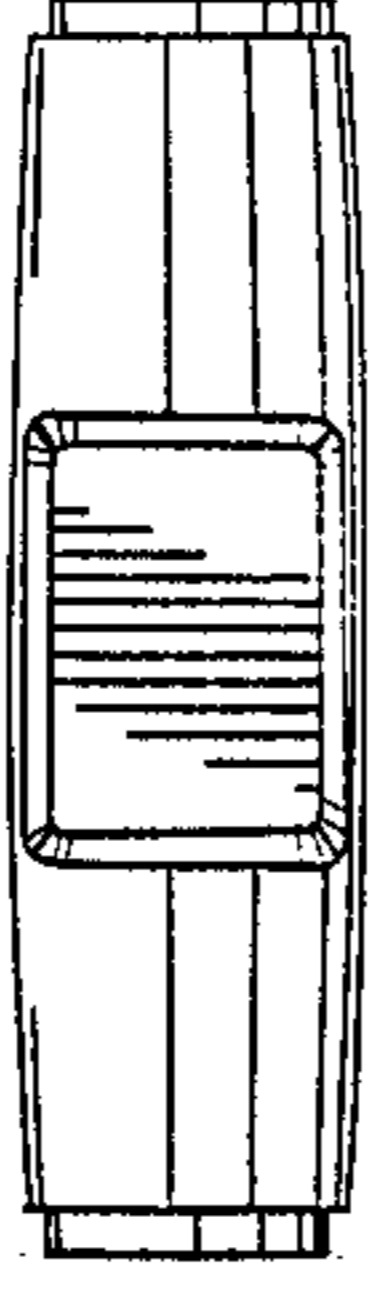


FIG. 3

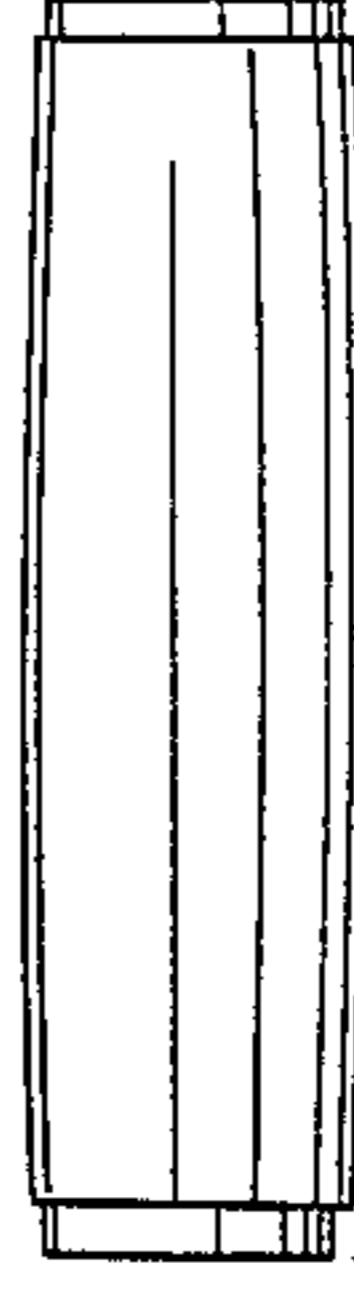


FIG. 2

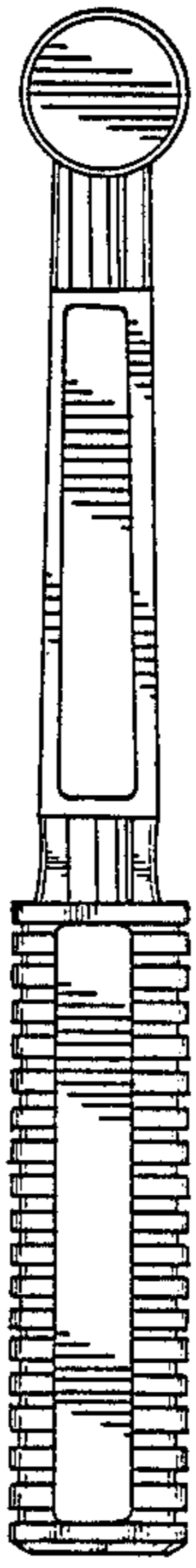


FIG. 1

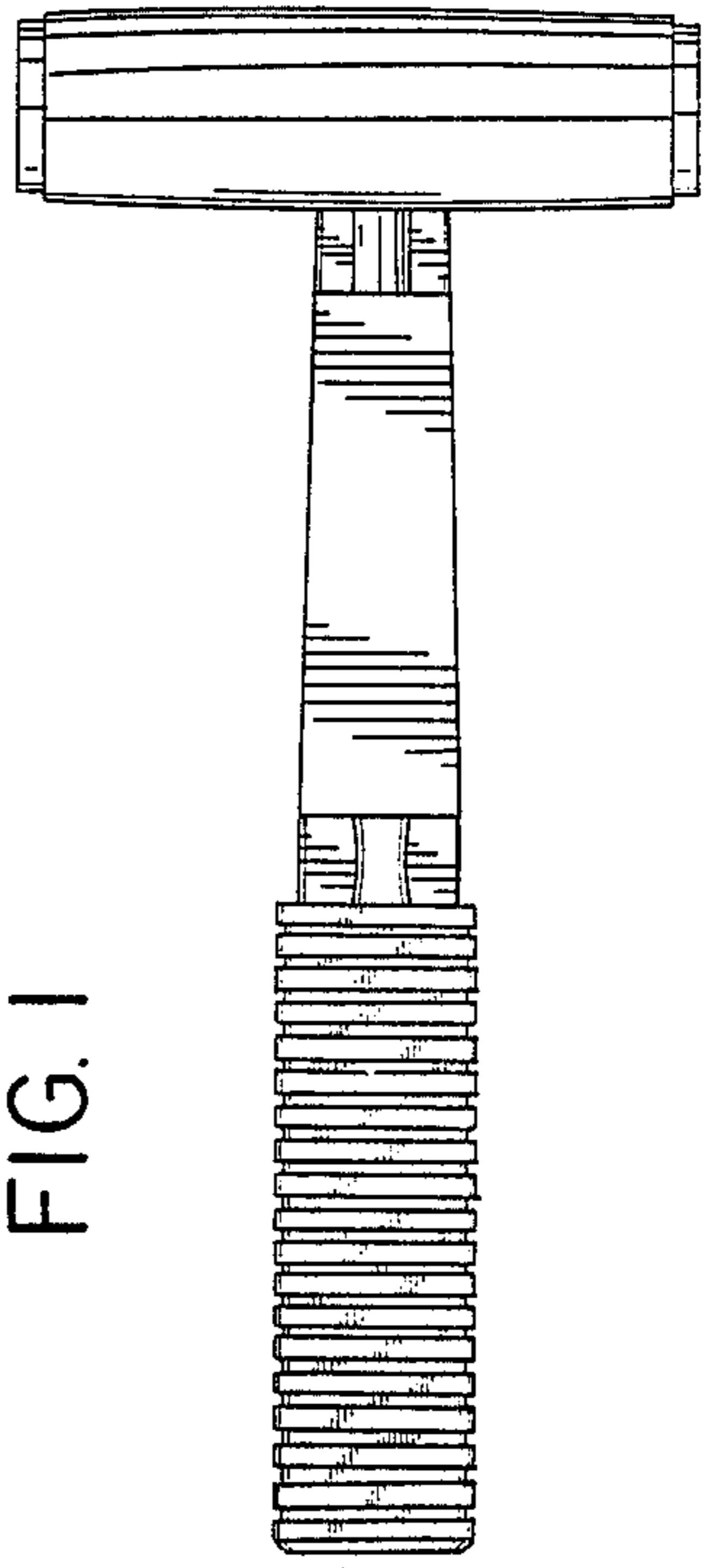


FIG. 5

