

[54] CORDLESS DRILL

[75] Inventor: William H. Schultz, Northbrook, Ill.

[73] Assignee: Skil Corporation, Chicago, Ill.

[**] Term: 14 Years

[21] Appl. No.: 56,534

[22] Filed: Jun. 1, 1987

[52] U.S. Cl. D8/68

[58] Field of Search D8/61, 68; 81/54, 57.11, 81/57.14, 429; 173/163, 170; 408/124, 125, 127; 310/50

[56] References Cited

U.S. PATENT DOCUMENTS

D. 195,227 5/1963 Franklin et al. D8/68
3,527,273 9/1970 Falter 81/429

OTHER PUBLICATIONS

Black & Decker Industrial/Construction Division Cata-

log, 1982, p. 15, Cordless Hammer Drill, #5920/Power Tool Cats.-Gp. 290.

New Equipment Digest, Sep. 1984, p. 48, Milwaukee's Cordless Driver Drill, #0210-1.

D.I.Y. Retailing, Aug. 1988, p. 121, Skil Cordless Drill, #2503.

Primary Examiner—Bruce W. Dunkins

Assistant Examiner—Clare E. Heflin

Attorney, Agent, or Firm—Jones, Day, Reavis & Pogue

[57] CLAIM

The ornamental design for a cordless drill, as shown and described.

DESCRIPTION

FIG. 1 is a perspective view of the cordless drill showing my new design;

FIG. 2 is a top plan view thereof;

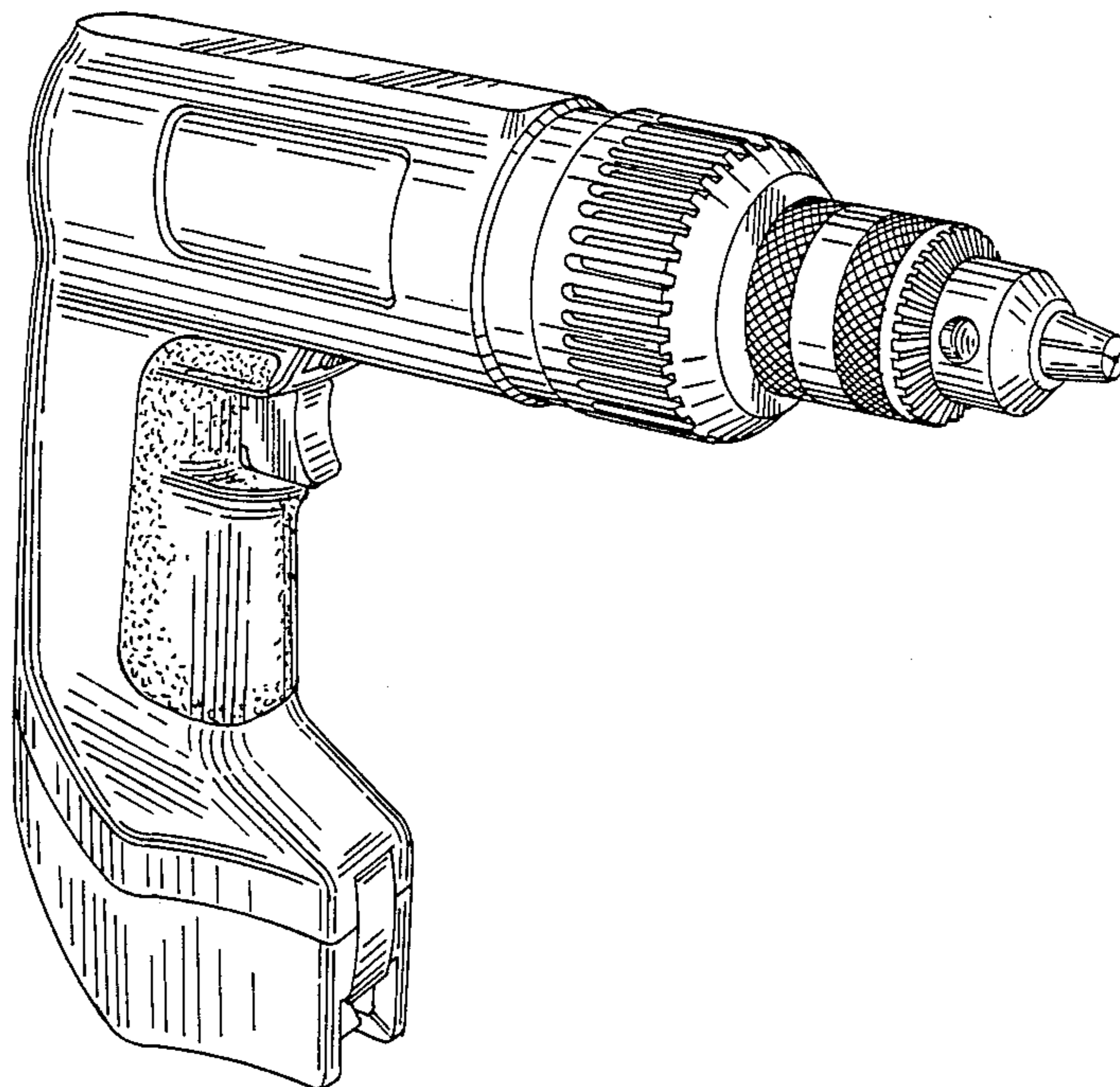
FIG. 3 is a bottom plan view thereof;

FIG. 4 is a right side elevational view thereof;

FIG. 5 is a front elevational view thereof;

FIG. 6 is a left side elevational view thereof;

FIG. 7 is a rear elevational view thereof;



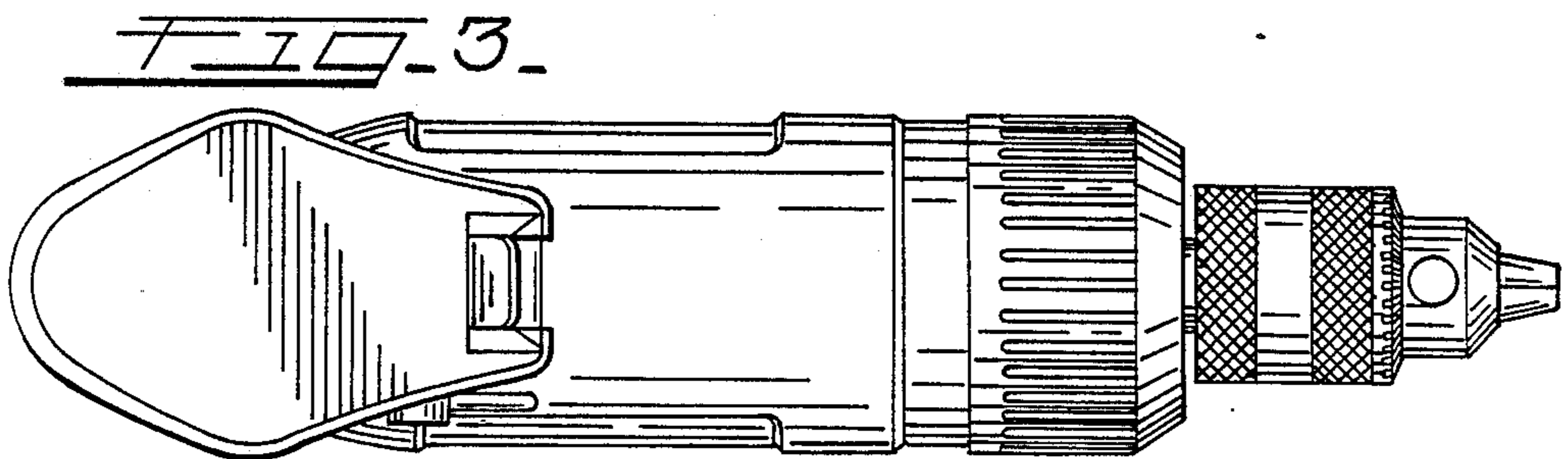
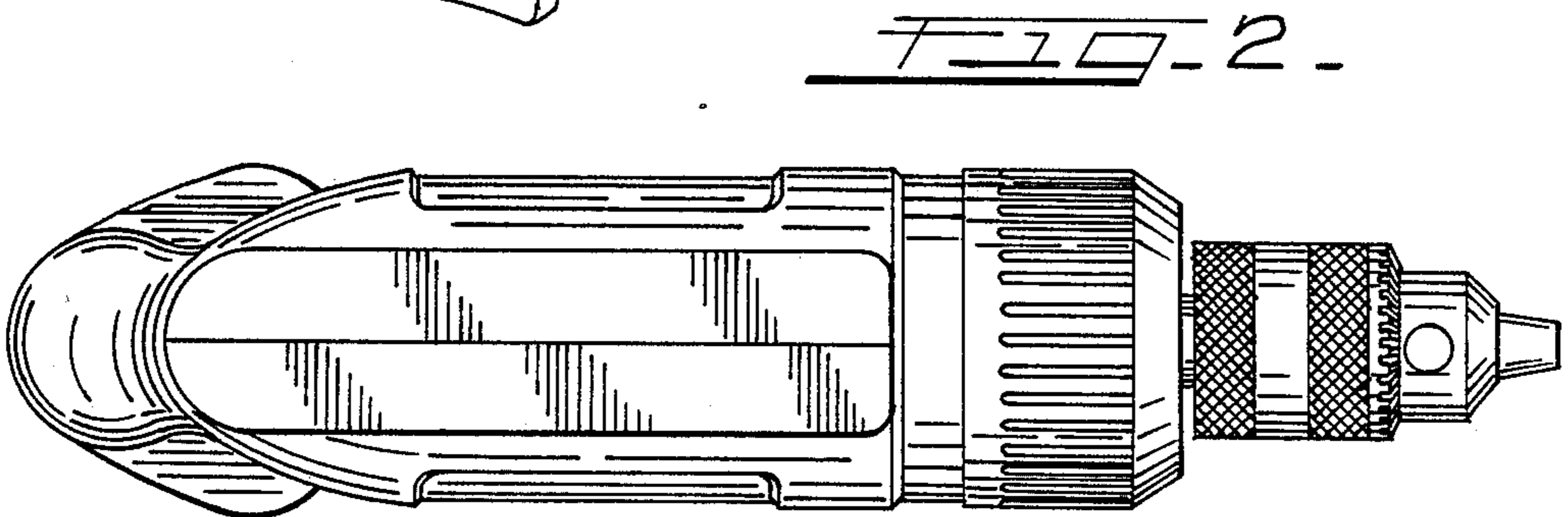
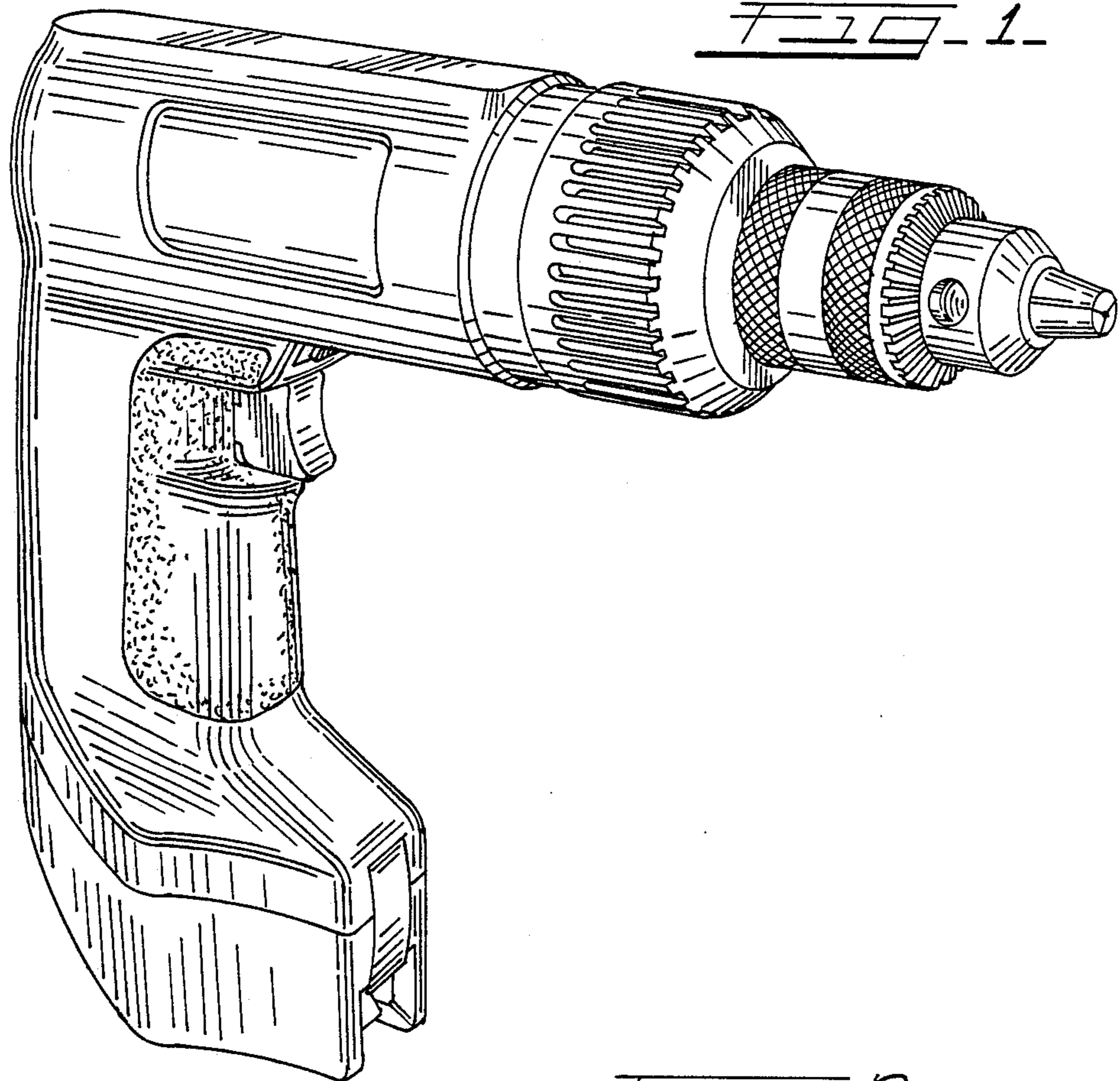


FIG. 5 -

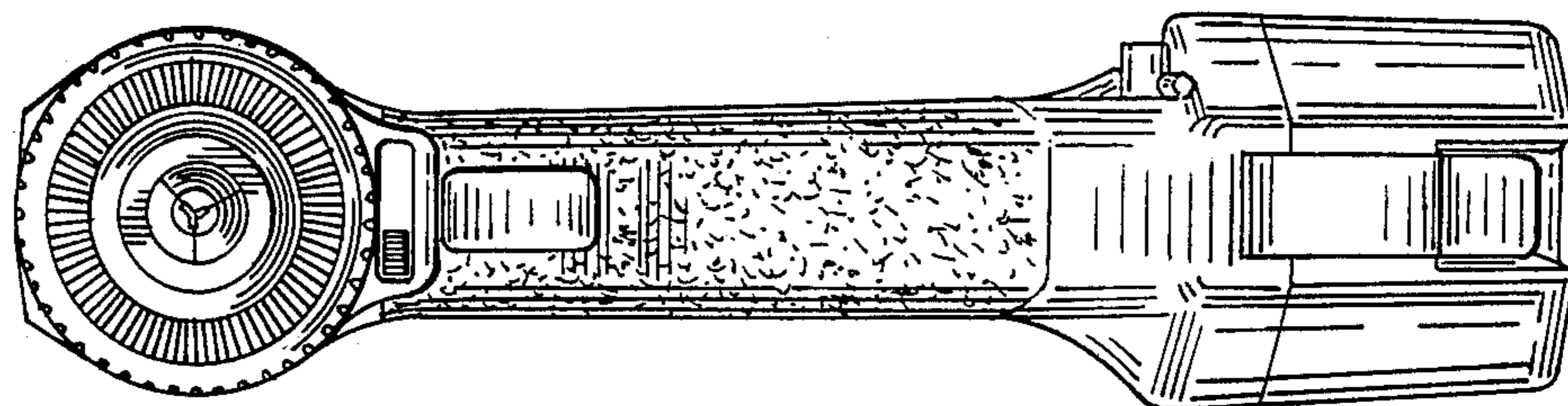


FIG. 4 -

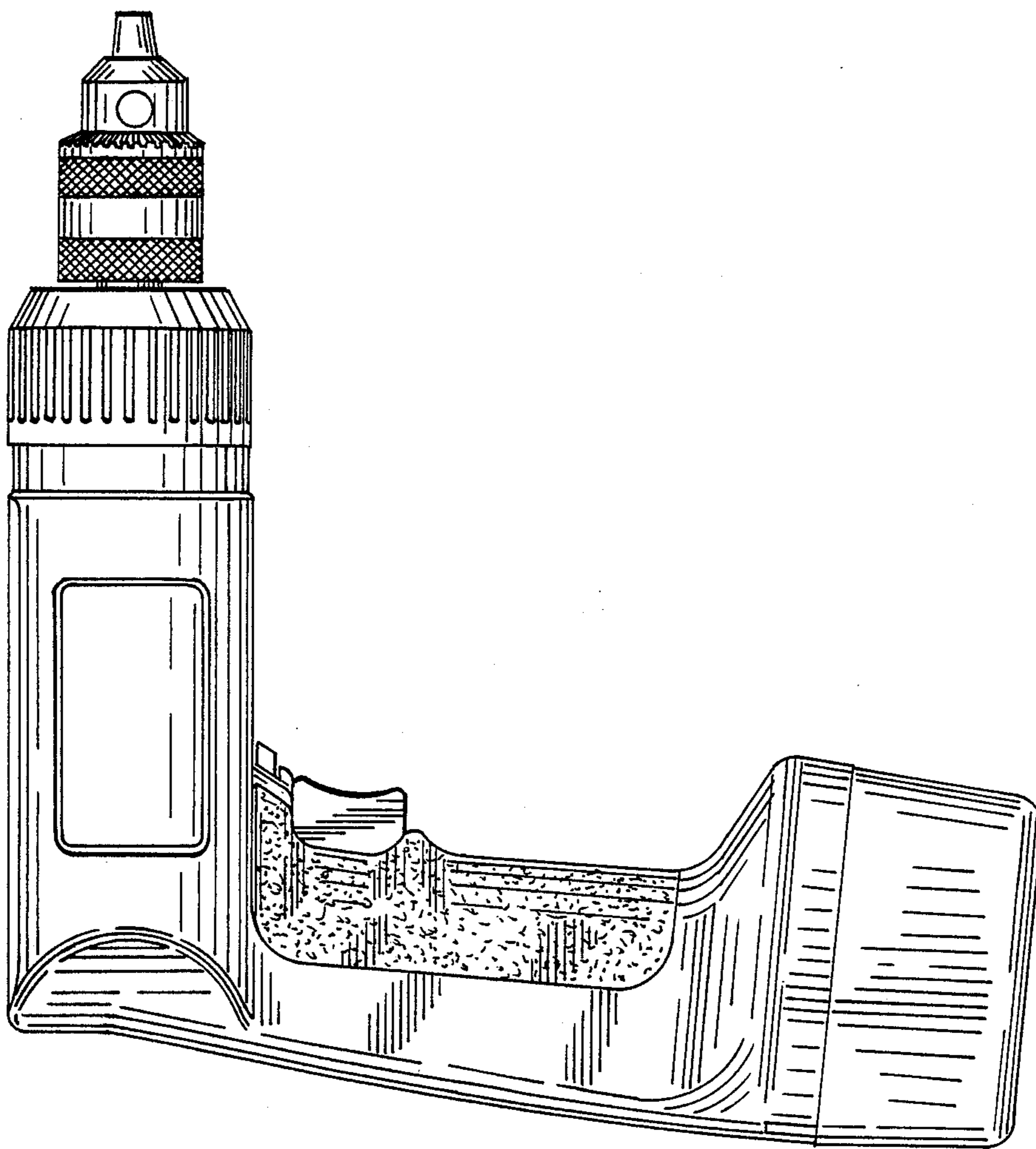


FIG-7-

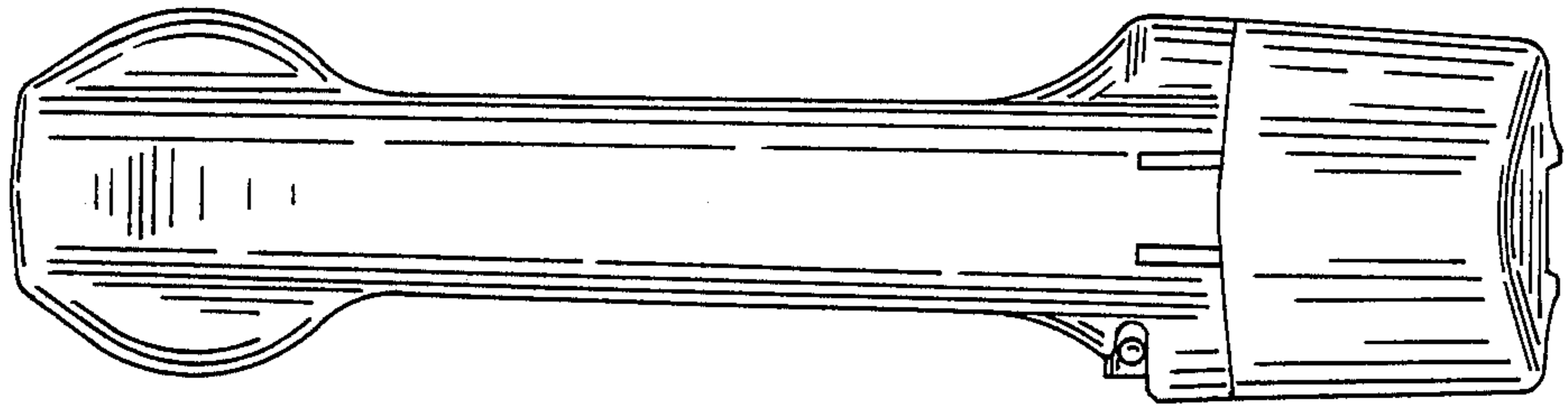


FIG-6-

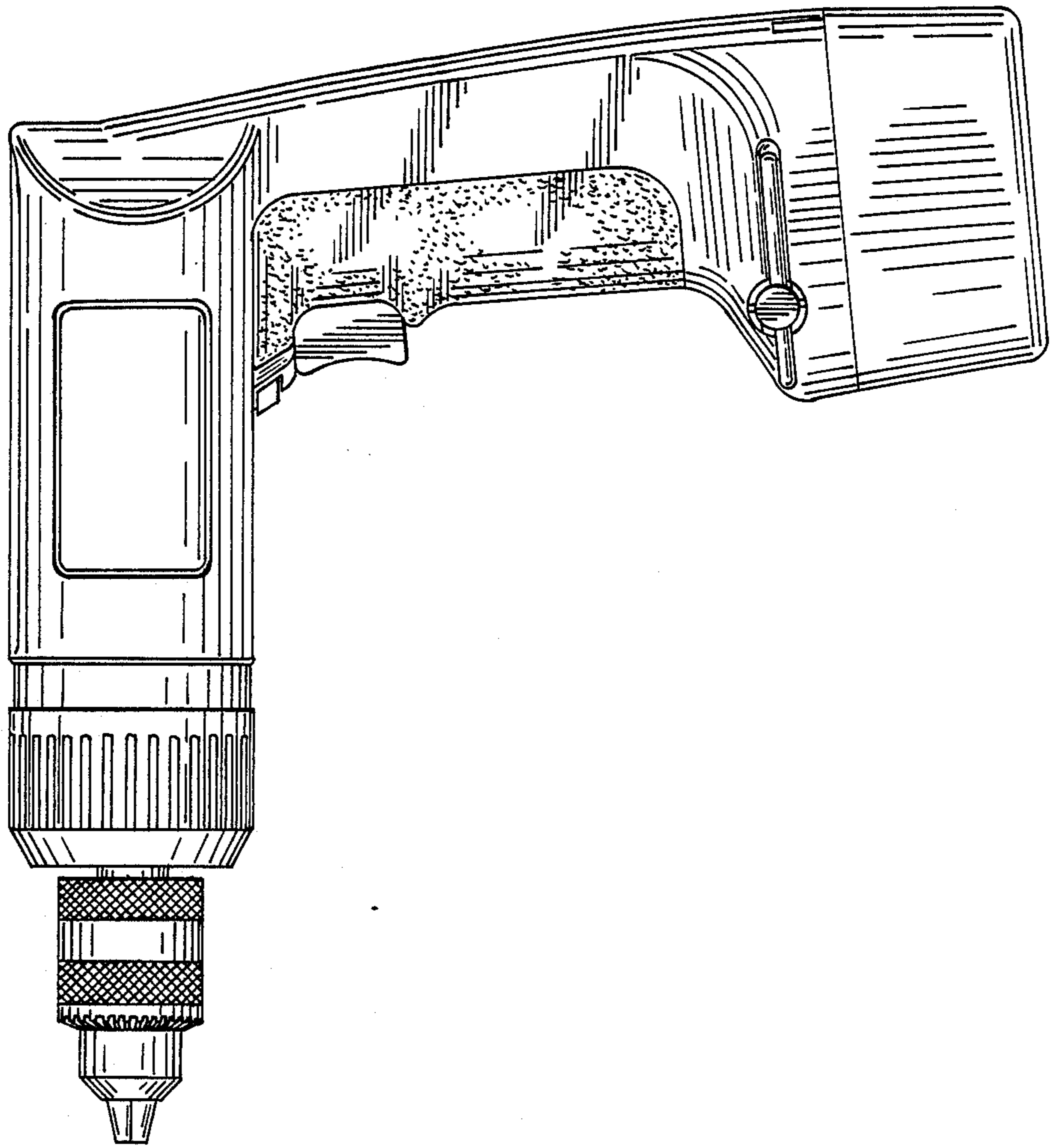


FIG. 8

