

[54] **CORDLESS DRILL**
[75] **Inventor: William H. Schultz, Northbrook, Ill.**
[73] **Assignee: Skil Corporation, Chicago, Ill.**
[**] **Term: 14 Years**
[21] **Appl. No.: 55,745**
[22] **Filed: May 29, 1987**
[52] **U.S. Cl. D8/68**
[58] **Field of Search D8/61, 68; 81/54, 57.11,
81/57.14, 429; 173/163, 170; 408/124, 125, 127;
310/50**

[56] **References Cited**

U.S. PATENT DOCUMENTS

D. 195,227	5/1963	Franklin et al.	D8/68
D. 279,956	8/1985	Akazawa et al.	D8/68
3,213,303	10/1965	Riley, Jr. et al.	310/50
3,527,273	9/1970	Falter	81/429

OTHER PUBLICATIONS

Black & Decker Industrial/Construction Division Cata-

log, 1982, p. 15, Cordless Hammer Drill, #5920/Power Tool Cats.
New Equipment Digest, Sep. 1984, p. 48, Milwaukee's Cordless Driver Drill, #0210-1.
D.I.Y. Retailing, Aug. 1988, p. 121, Skil Cordless Drill, #2735.

Primary Examiner—Bruce W. Dunkins
Assistant Examiner—Clare E. Heflin
Attorney, Agent, or Firm—Jones, Day, Reavis & Pogue

[57] **CLAIM**

The ornamental design for a cordless drill, as shown.

DESCRIPTION

FIG. 1 is a perspective view of the design;
FIG. 2 is a top plan view thereof;
FIG. 3 is a bottom plan view thereof;
FIG. 4 is a right side elevational view thereof;
FIG. 5 is a front elevational view thereof;
FIG. 6 is a left side elevational view thereof;
FIG. 7 is a rear elevational view thereof.

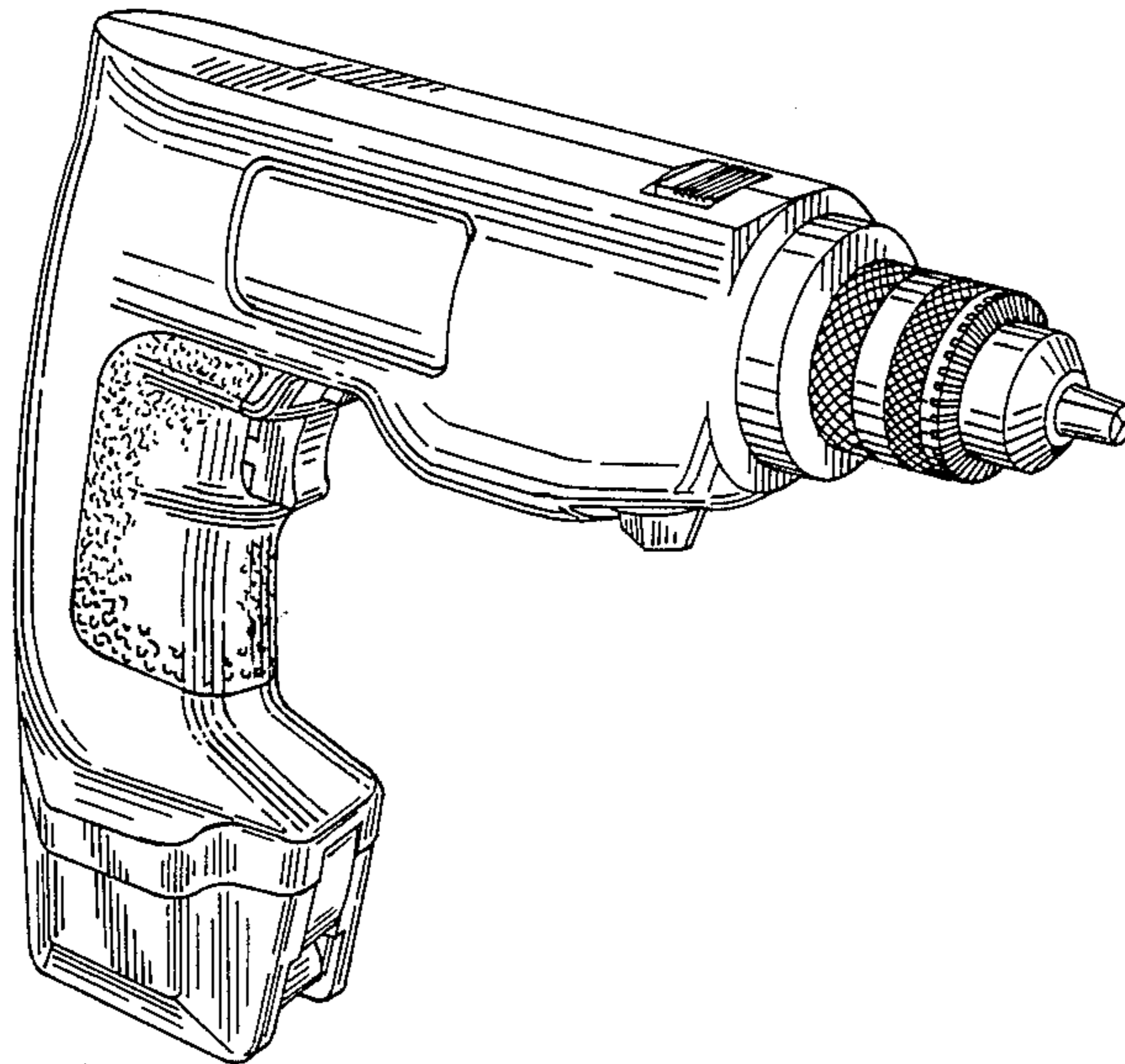


FIG. 1.

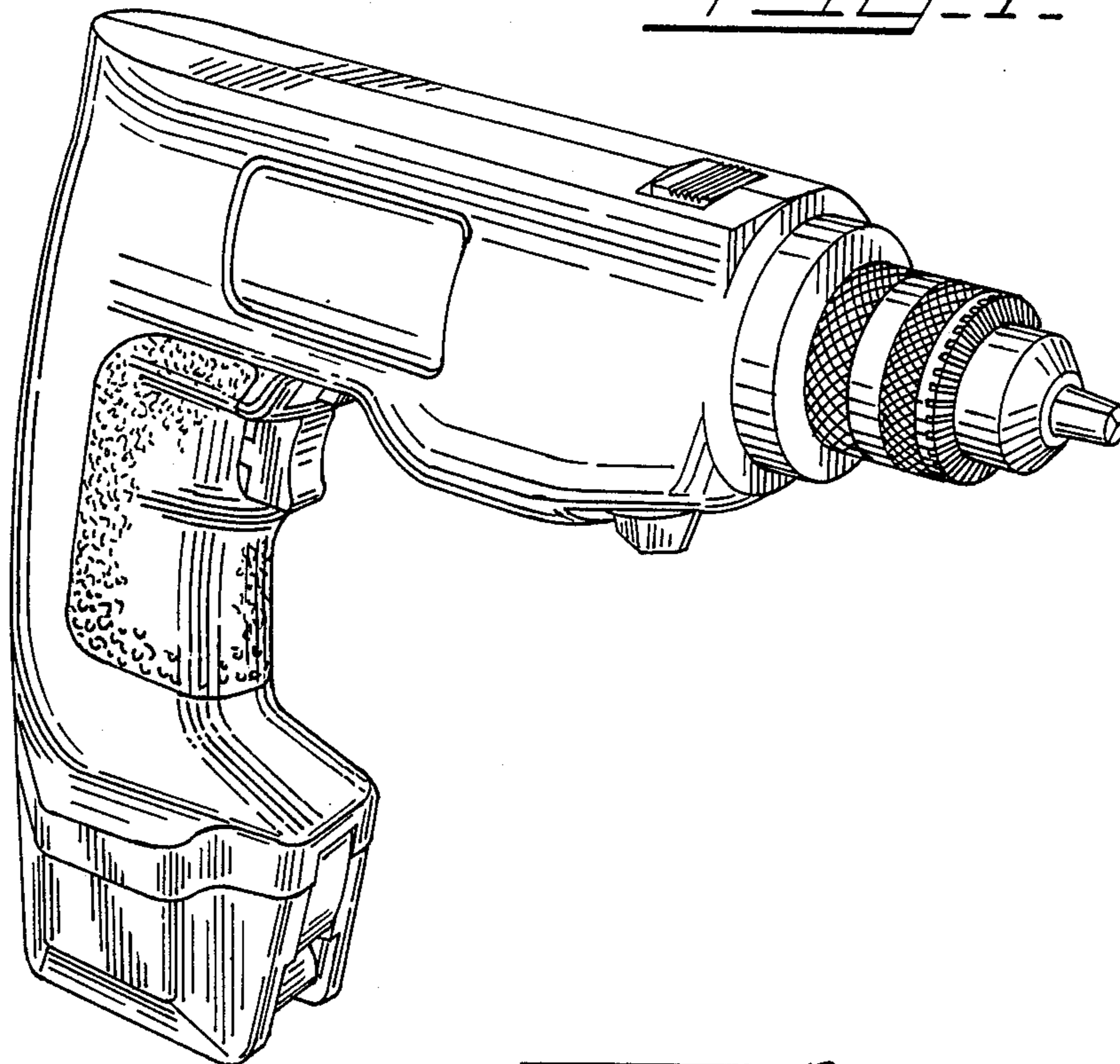


FIG. 2.

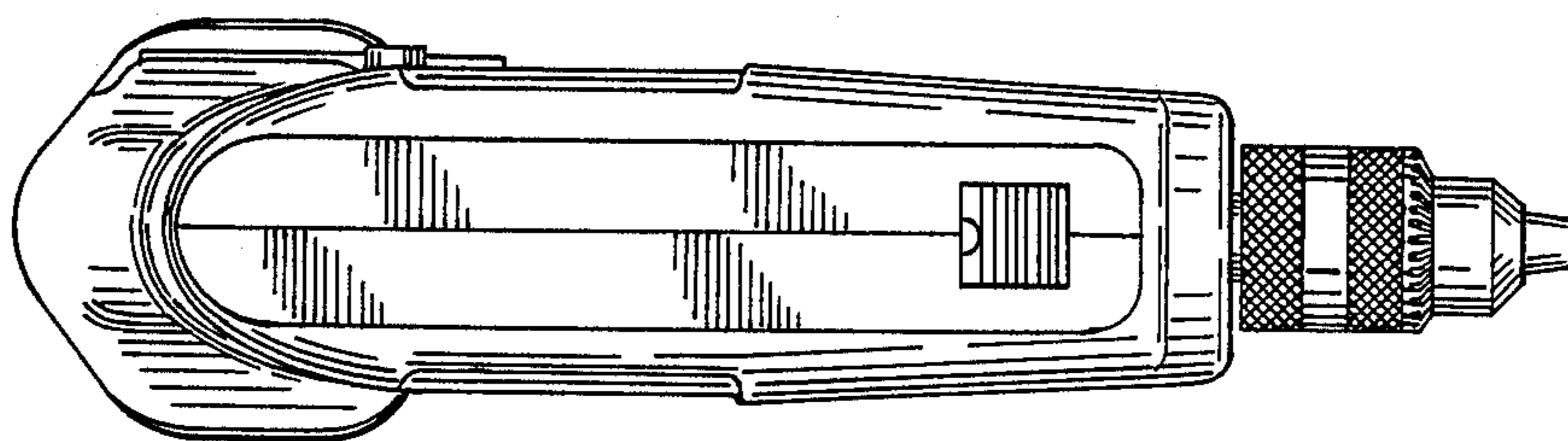


FIG. 3.

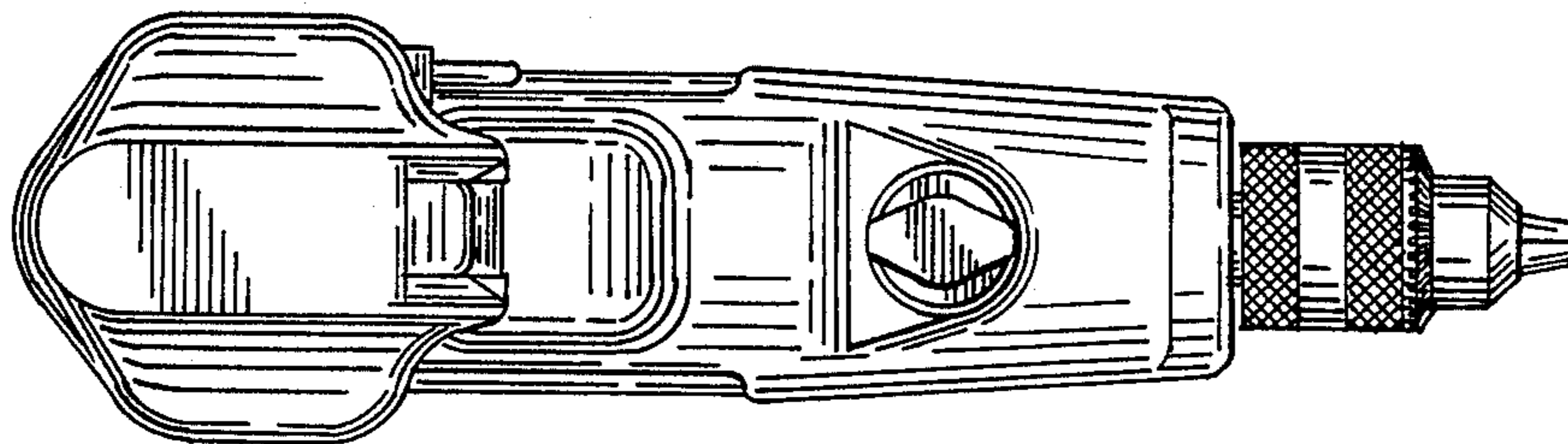


FIG-5-

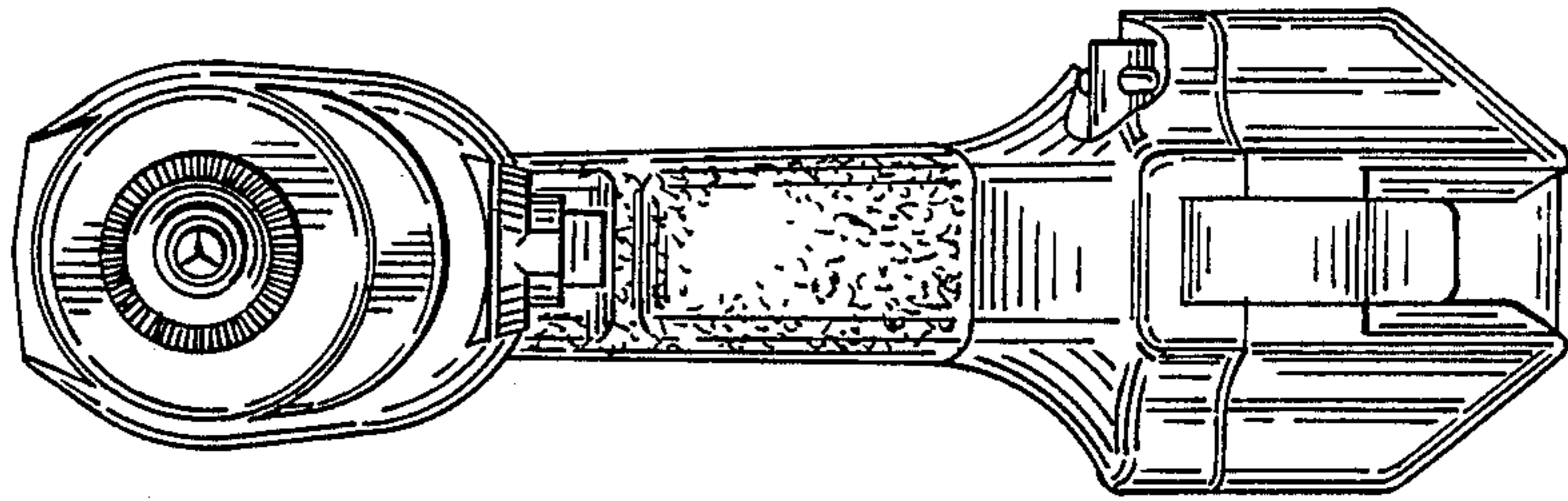


FIG-4-

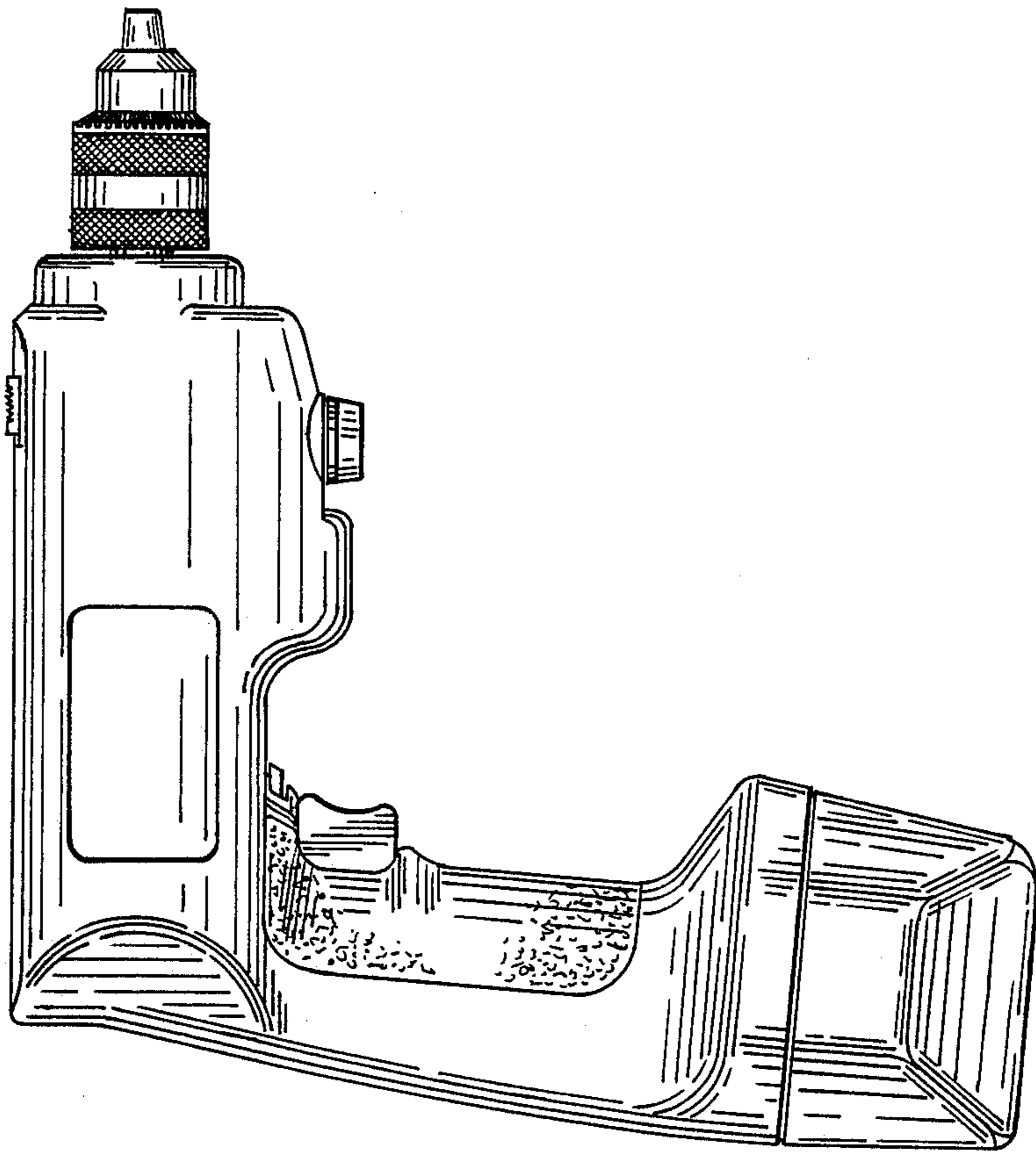


FIG-7-

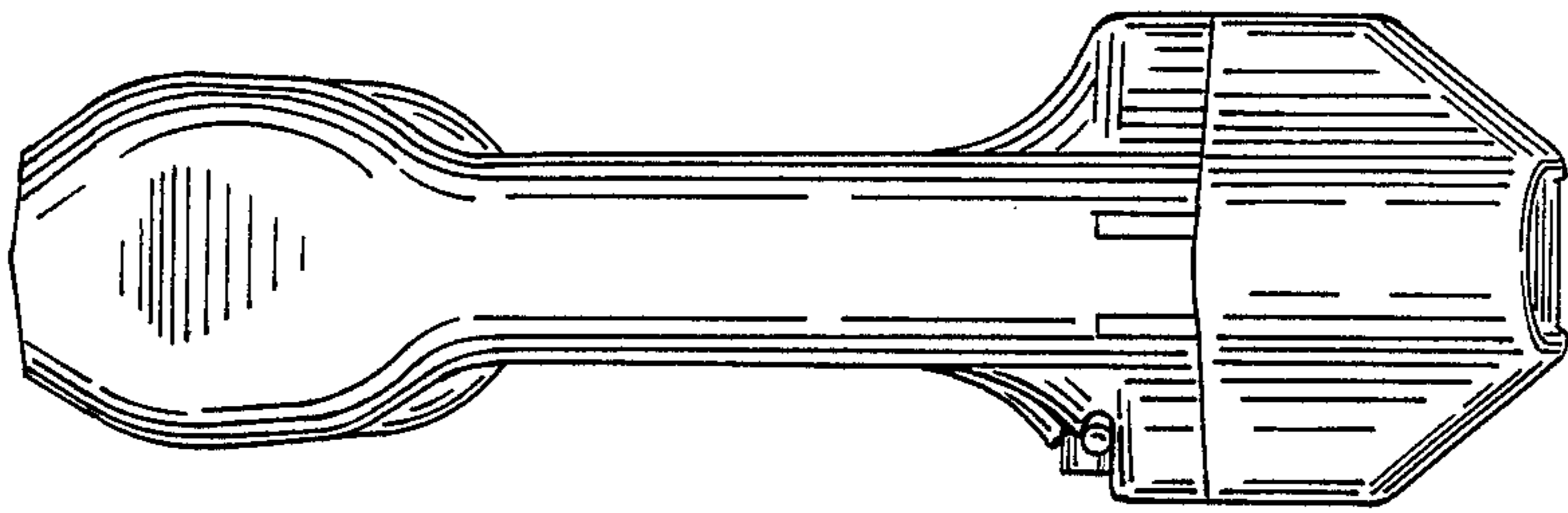


FIG-6-

