

[54] ROUTER

[75] Inventor: Donald W. Zurwelle, Lutherville, Md.

[73] Assignee: Black & Decker Inc., Newark, Del.

[**] Term: 14 Years

[21] Appl. No.: 836,595

[22] Filed: Feb. 27, 1986

[52] U.S. Cl. D8/67

[58] Field of Search D8/61, 67; 144/134 Z, 144/134 D, 136 R, 136 C; 409/180-182

[56] References Cited

U.S. PATENT DOCUMENTS

- D. 281,218 11/1985 Barrett et al. D8/67
- D. 286,131 10/1986 Yamamoto D8/67
- 4,051,880 10/1977 Hestily 409/182 X

OTHER PUBLICATIONS

Ingersoll-Rand Electric Power Tool Catalogue, 1976, p. 28, "Heavy-Duty Router" #8038.

Primary Examiner—Wallace R. Burke
Assistant Examiner—Brian N. Vinson
Attorney, Agent, or Firm—Edward D. Murphy; Harold Weinstein; Dennis Dearing

[57] CLAIM

The ornamental design for a router, as shown and described.

DESCRIPTION

FIG. 1 is a front and top perspective view of a router showing my new design;
 FIG. 2 is an enlarged front elevational view thereof;
 FIG. 3 is an enlarged rear elevational view thereof;
 FIG. 4 is an enlarged right side elevational view thereof;
 FIG. 5 is an enlarged left side elevational view thereof;
 FIG. 6 is an enlarged top plan view thereof; and
 FIG. 7 is an enlarged plan view thereof;
 The power cord is shown broken-away in the views to indicate indeterminate length.

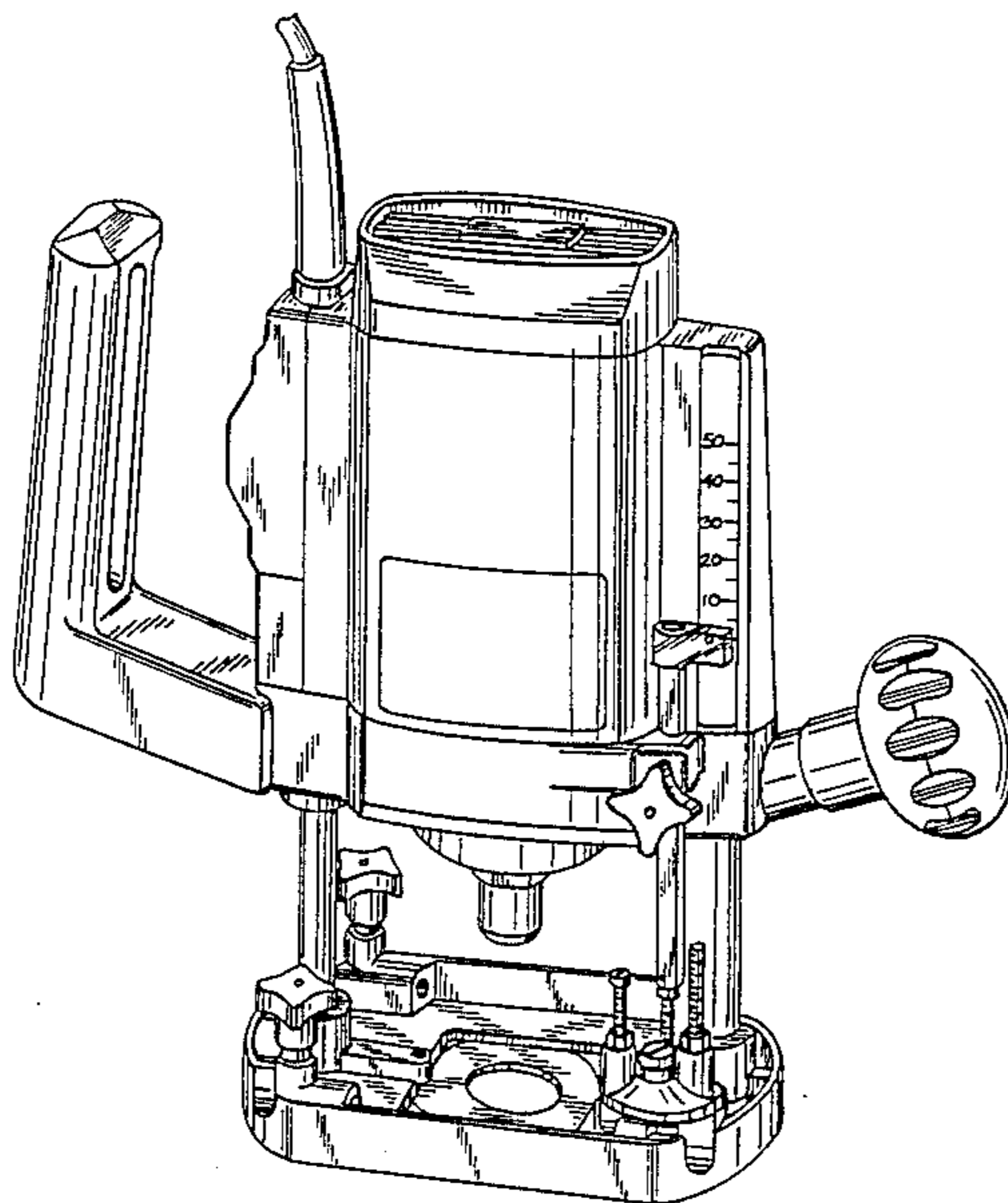
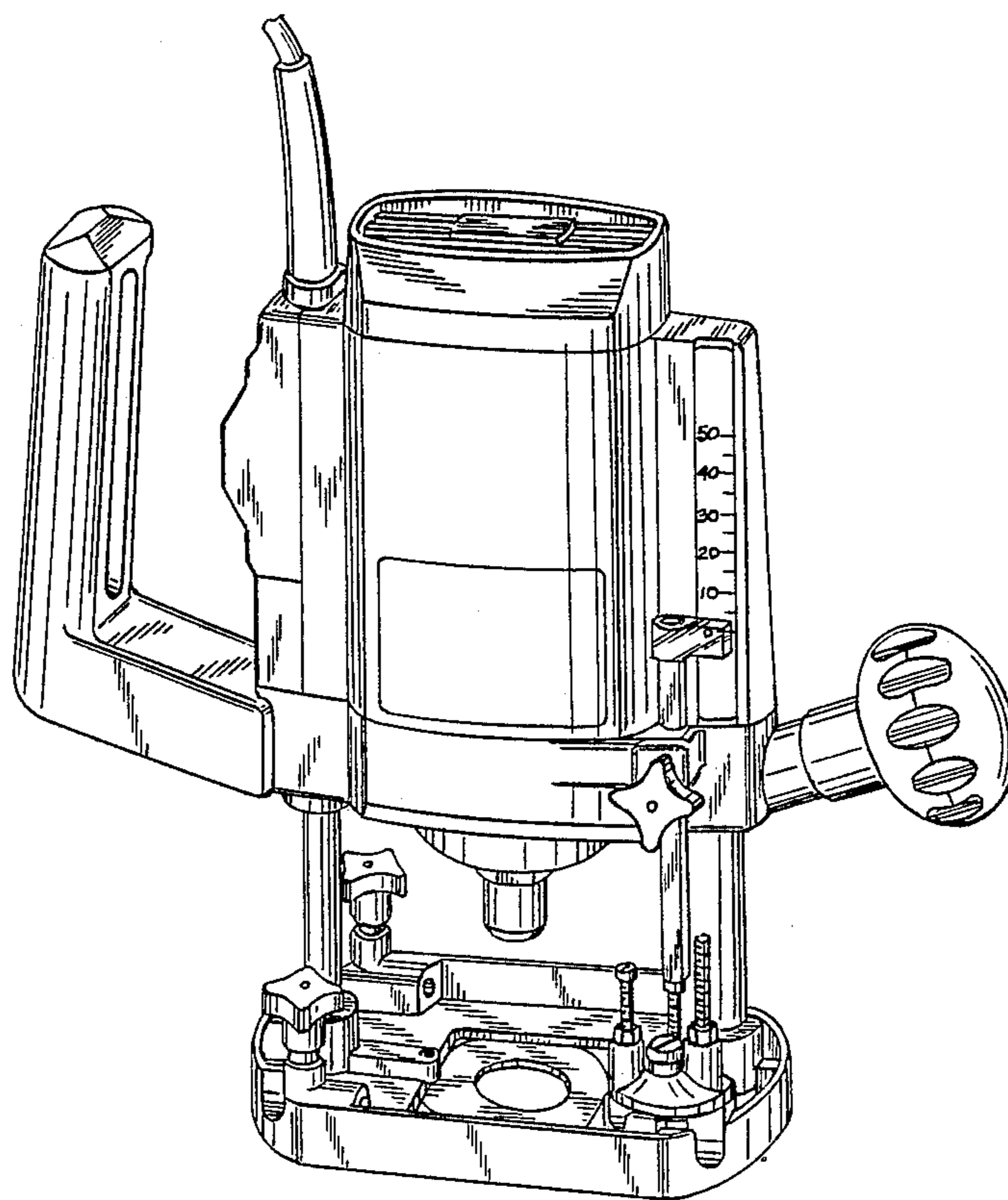


FIG. 1



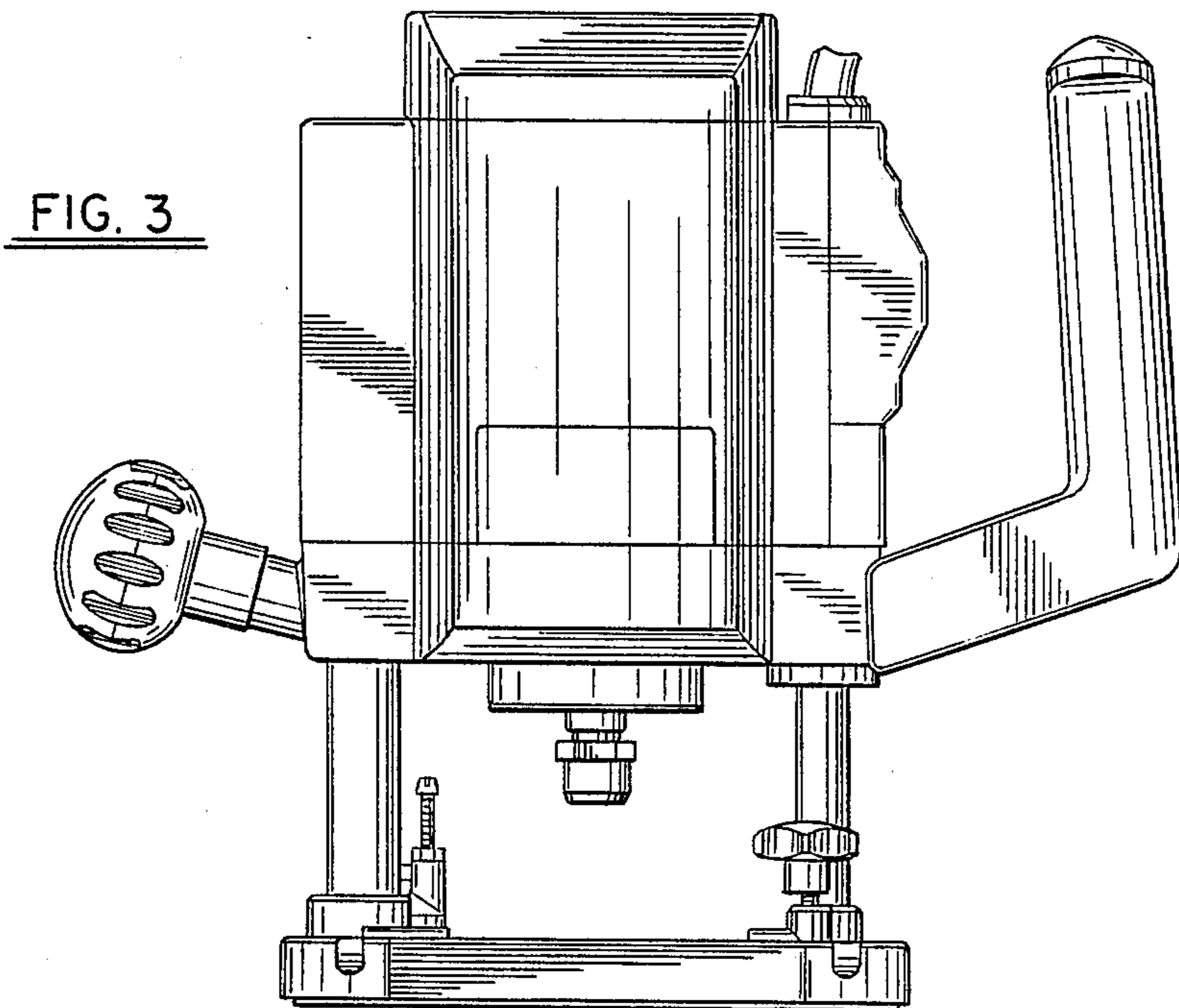
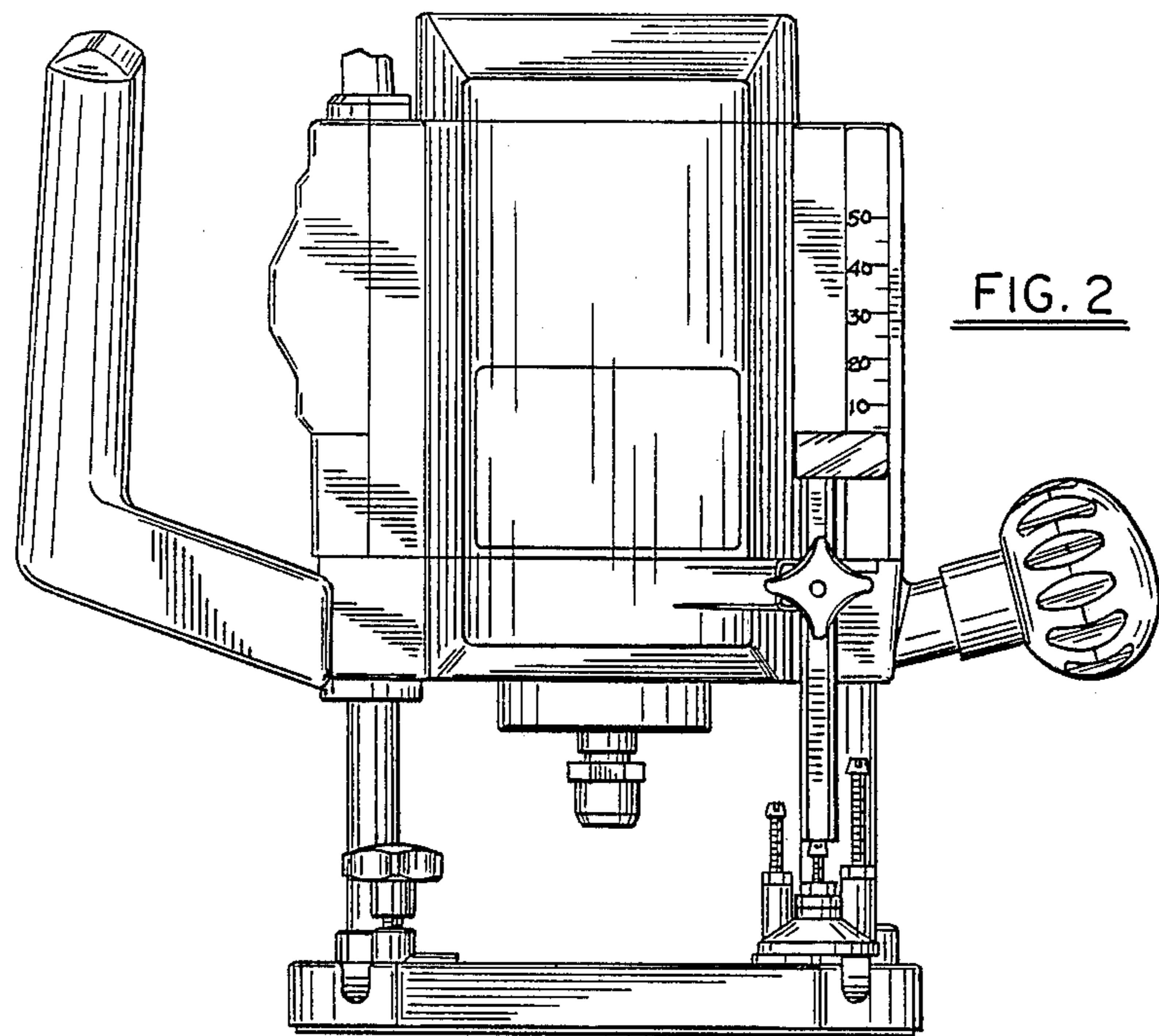


FIG. 4

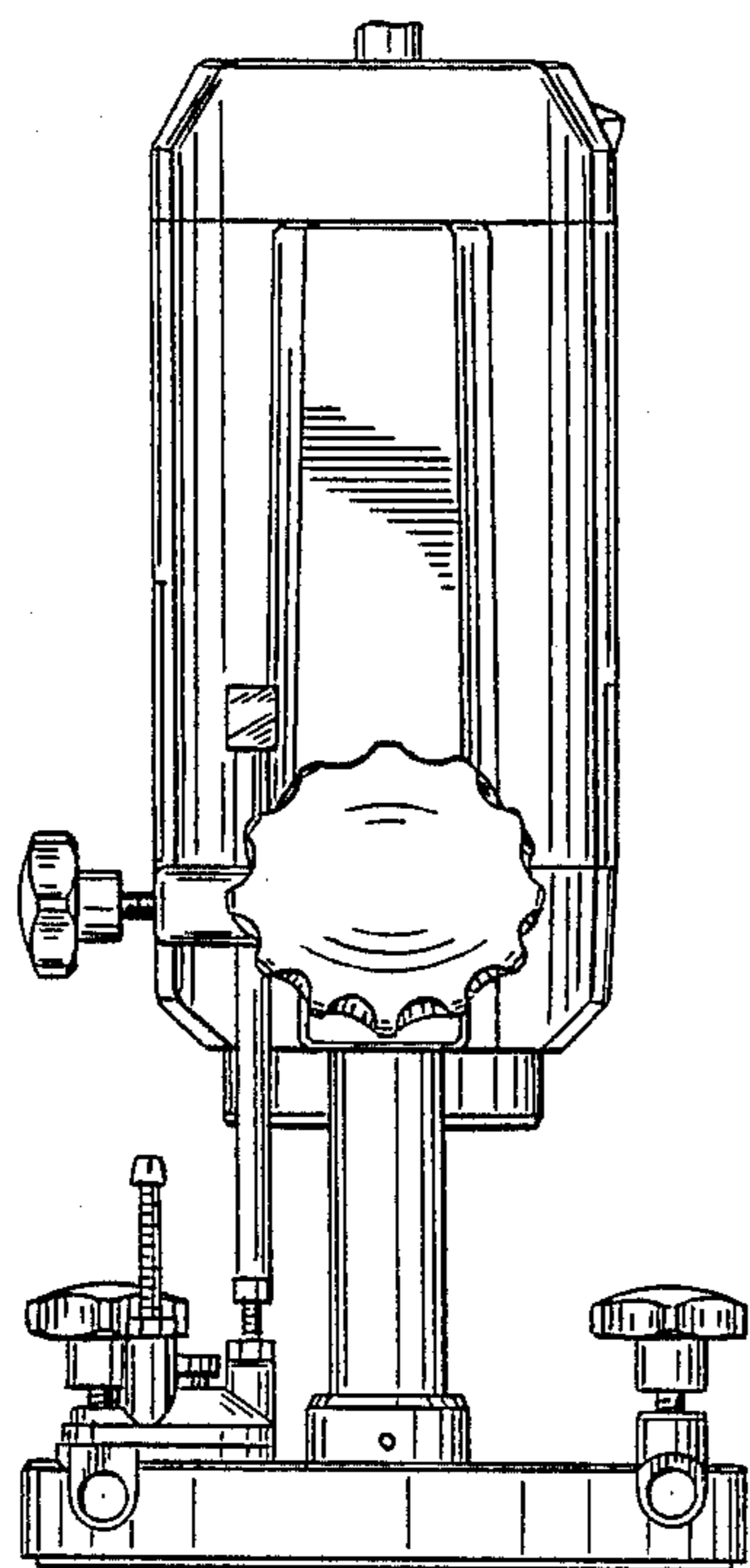


FIG. 5

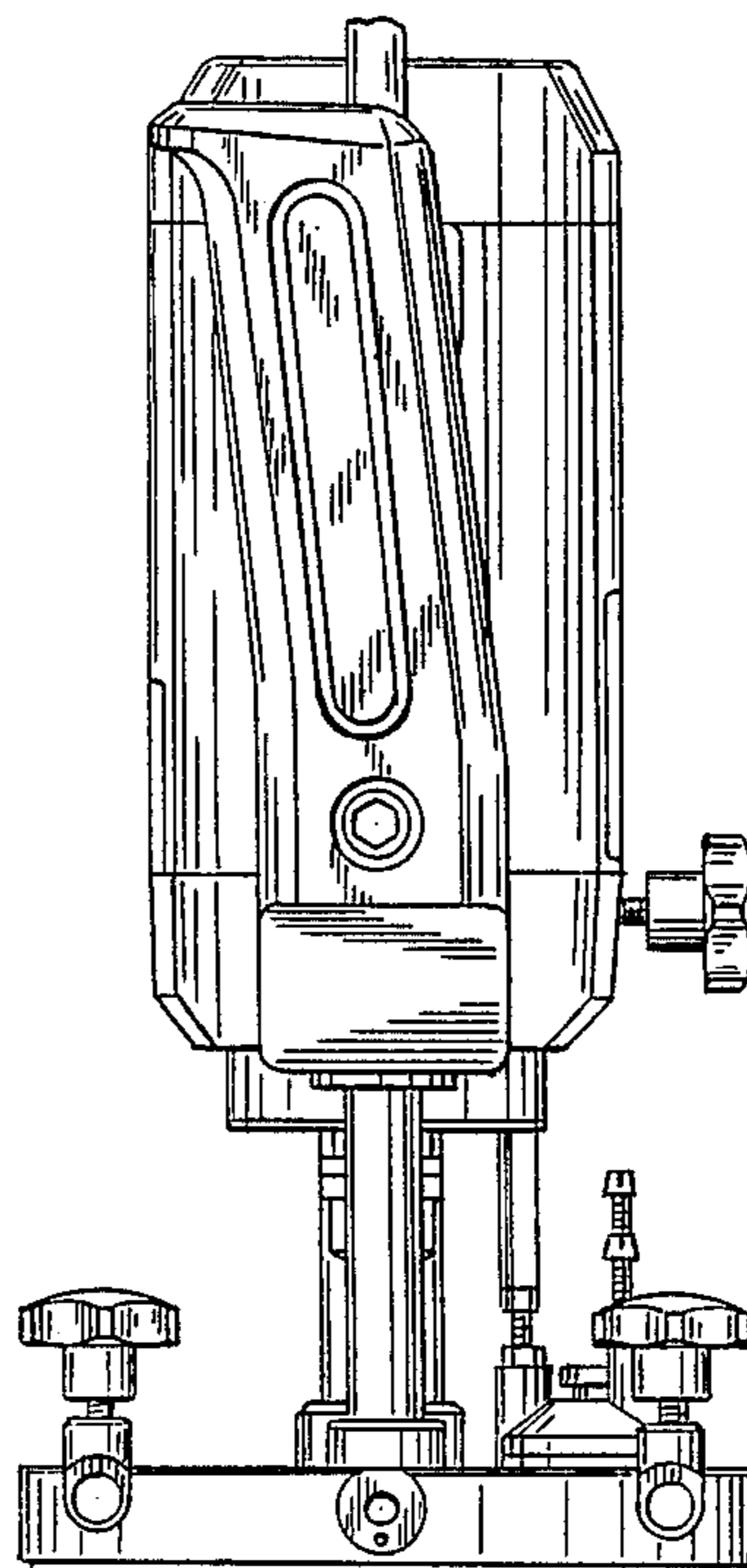


FIG. 6

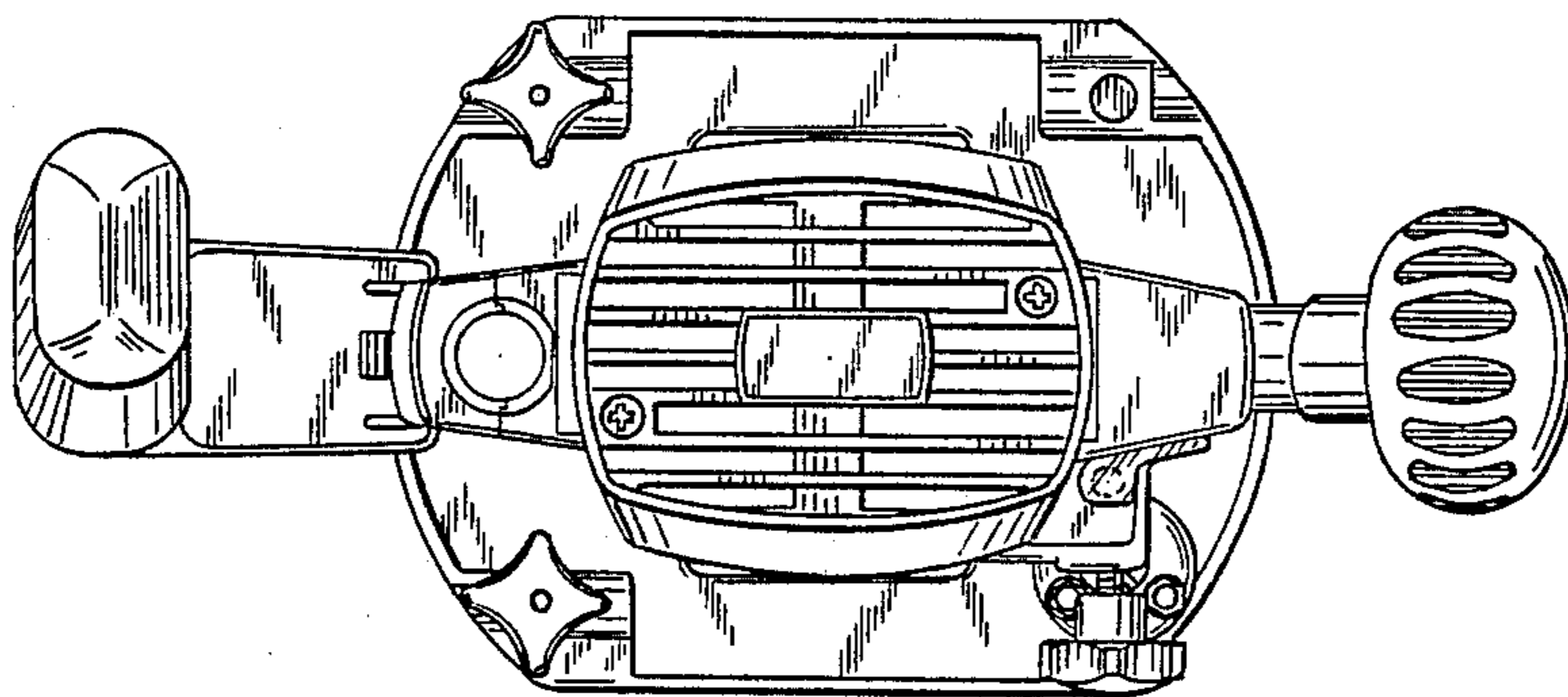


FIG. 7

