

[54] TOASTER
[75] Inventor: Pierre Ansel, Vagney, France
[73] Assignee: SEB, Selongey, France
[**] Term: 14 Years
[21] Appl. No.: 852,029
[22] Filed: Apr. 14, 1986

[30] Foreign Application Priority Data
Oct. 16, 1985 [FR] France 854.836
[52] U.S. Cl. D7/330
[58] Field of Search D7/330, 329, 328, 390;
99/385, 388, 389, 391, 393

[56] References Cited
U.S. PATENT DOCUMENTS
D. 226,242 1/1973 Weiss D7/330
D. 270,223 8/1983 Miyake et al. D7/330
D. 297,391 8/1988 Andel D7/330
3,452,670 7/1969 Huck et al. 99/391 X

3,530,279 9/1970 Ottinger D7/330 X

FOREIGN PATENT DOCUMENTS

3045751 7/1982 Fed. Rep. of Germany 99/385
853167 7/1985 France .

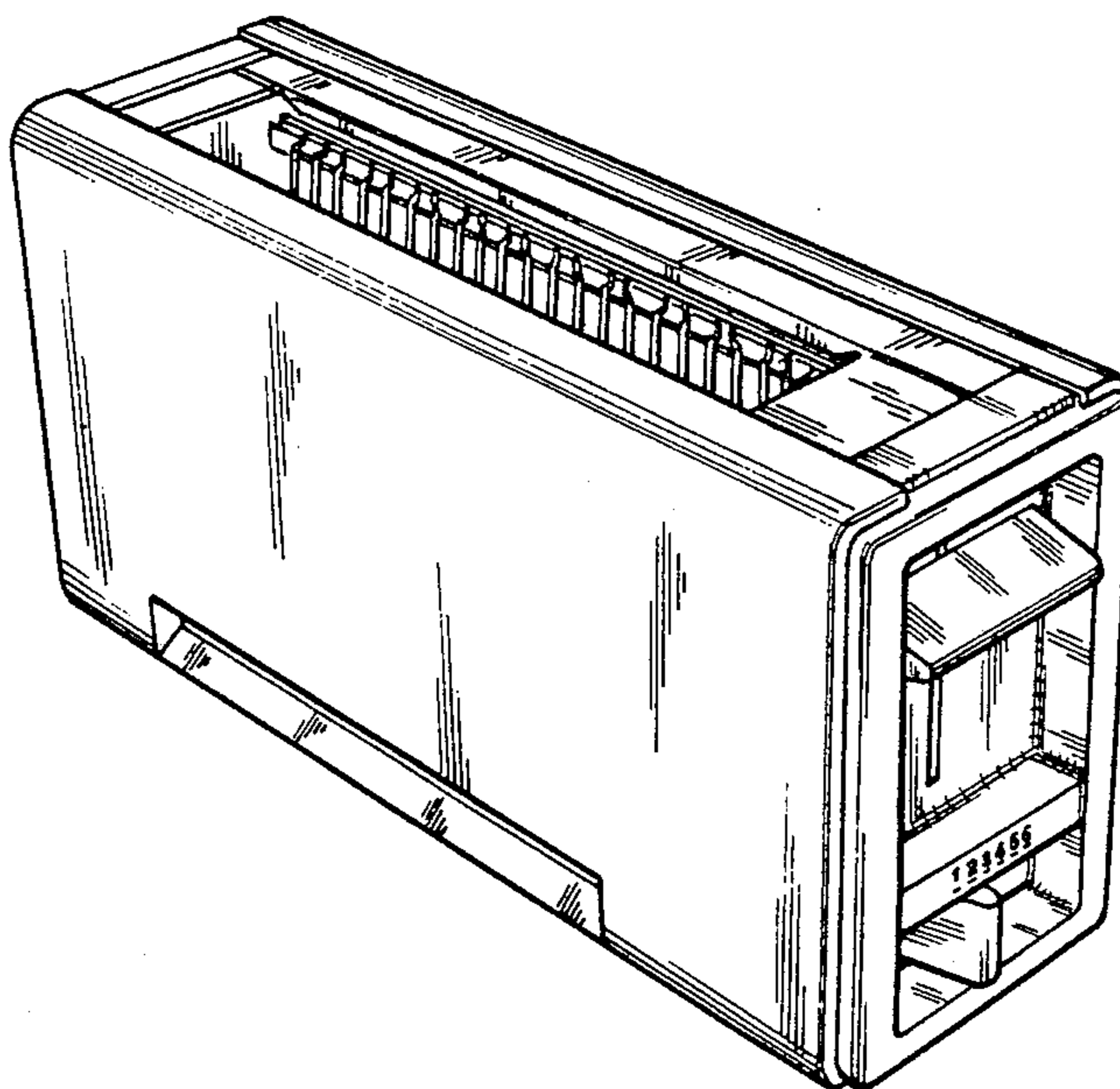
Primary Examiner—Winifred E. Herrmann
Attorney, Agent, or Firm—Young & Thompson

[57] CLAIM

The ornamental design for a toaster, as shown and described.

DESCRIPTION

FIG. 1 is a front elevational view of a toaster showing my new design;
FIG. 2 is a rear elevational view thereof;
FIG. 3 is a right side elevational view thereof;
FIG. 4 is a left side elevational view thereof;
FIG. 5 is a top plan view thereof;
FIG. 6 is a bottom plan view thereof;
FIG. 7 is a top front and right side perspective view thereof.



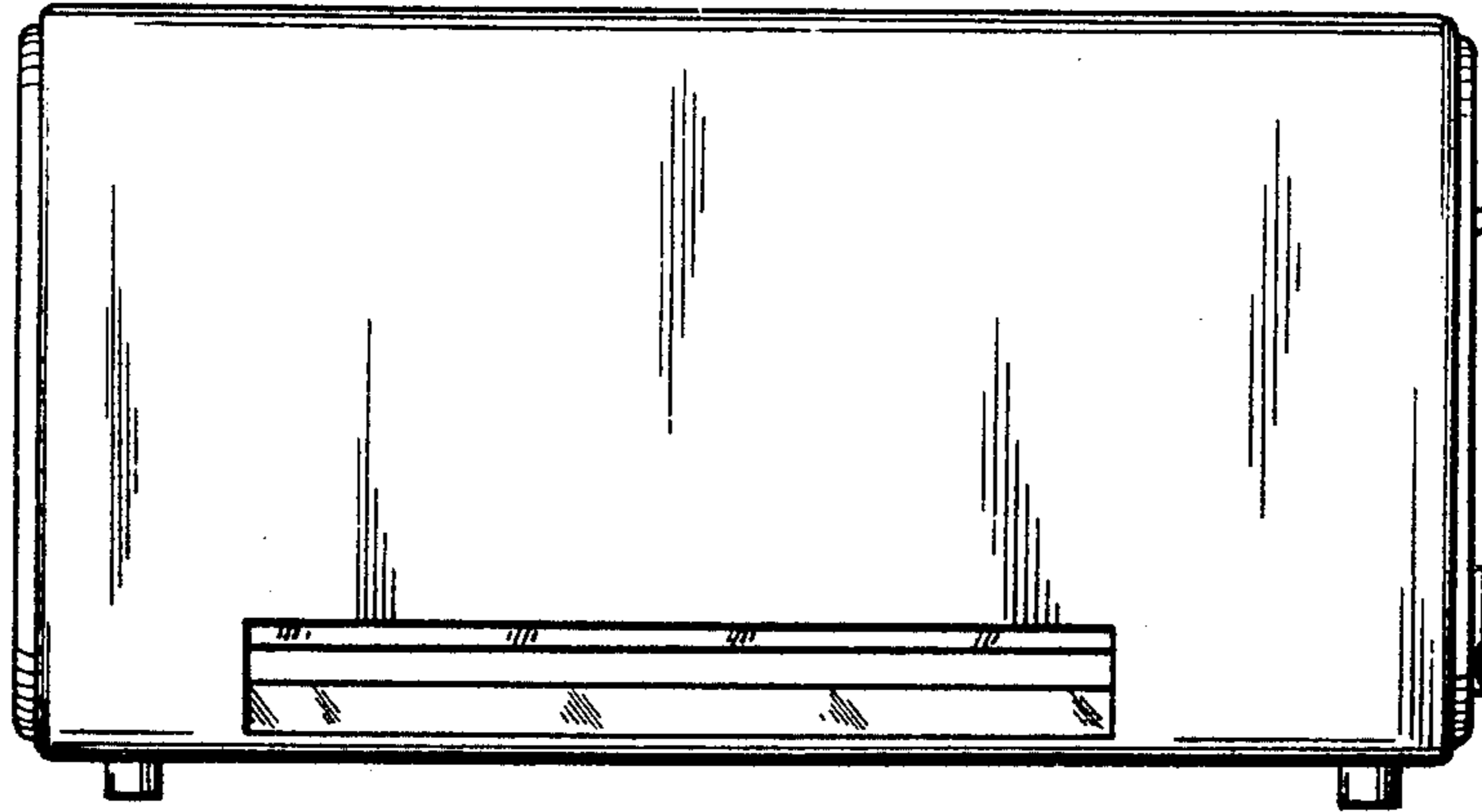


FIG. 1

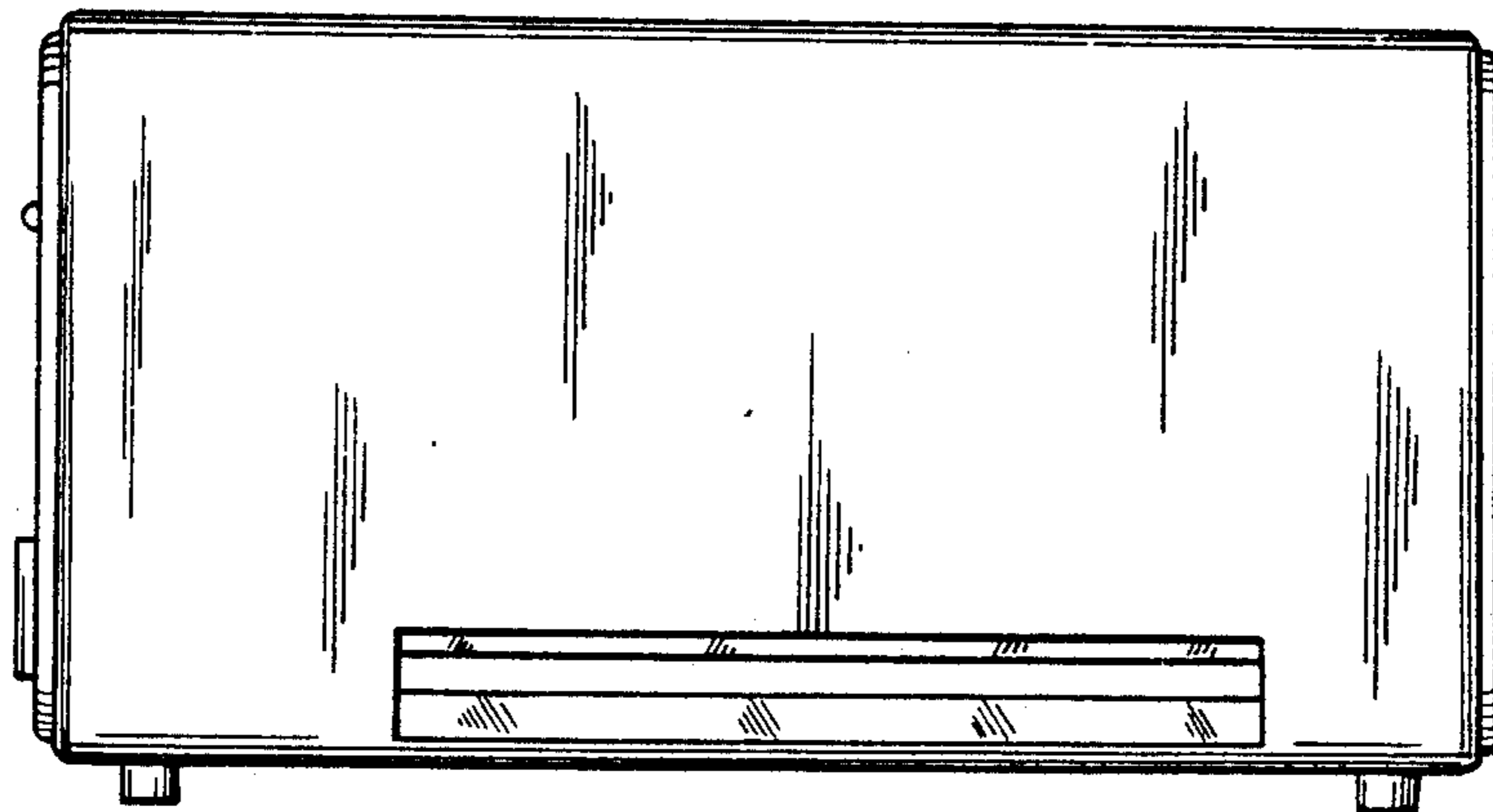


FIG. 2

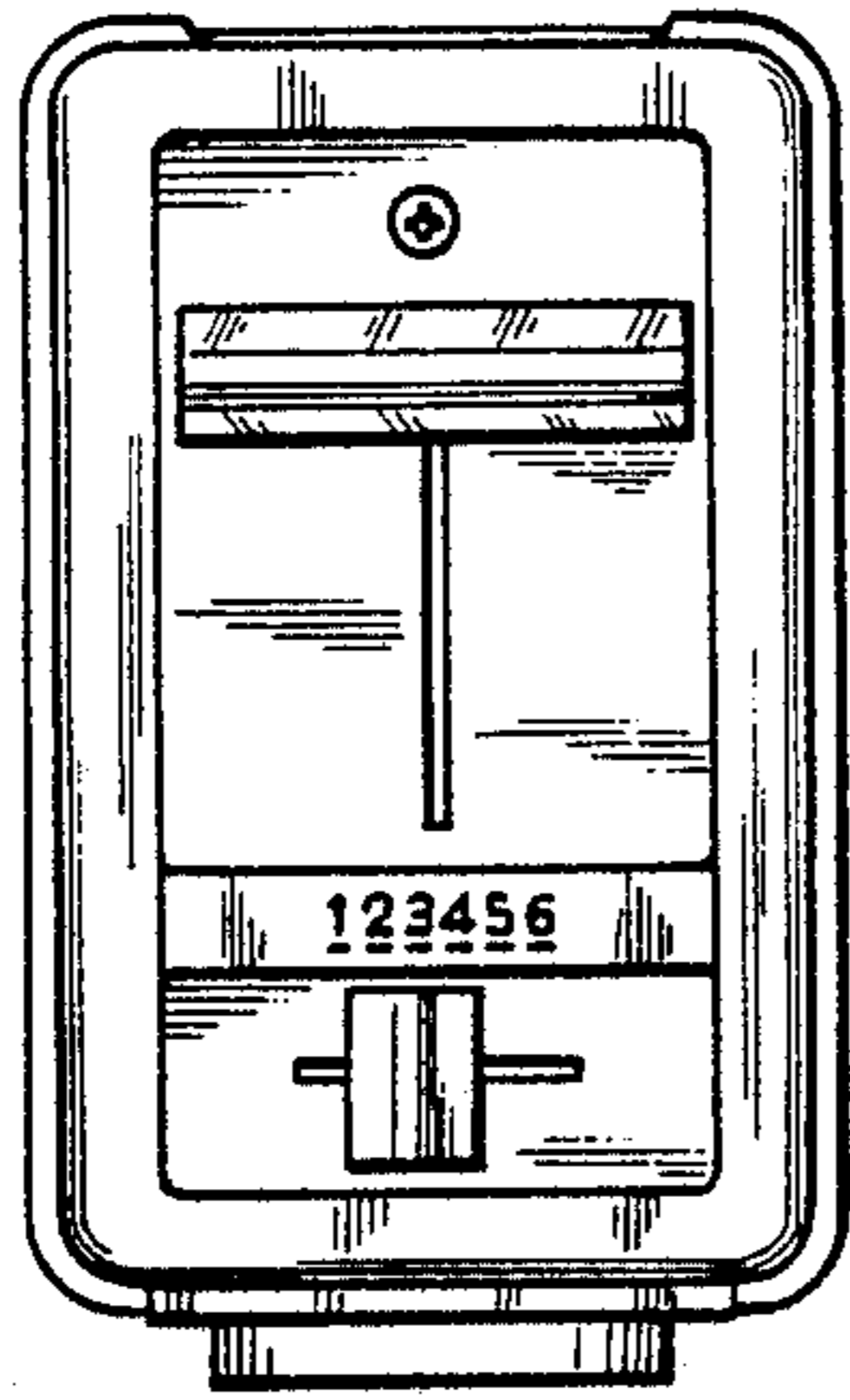


FIG. 3

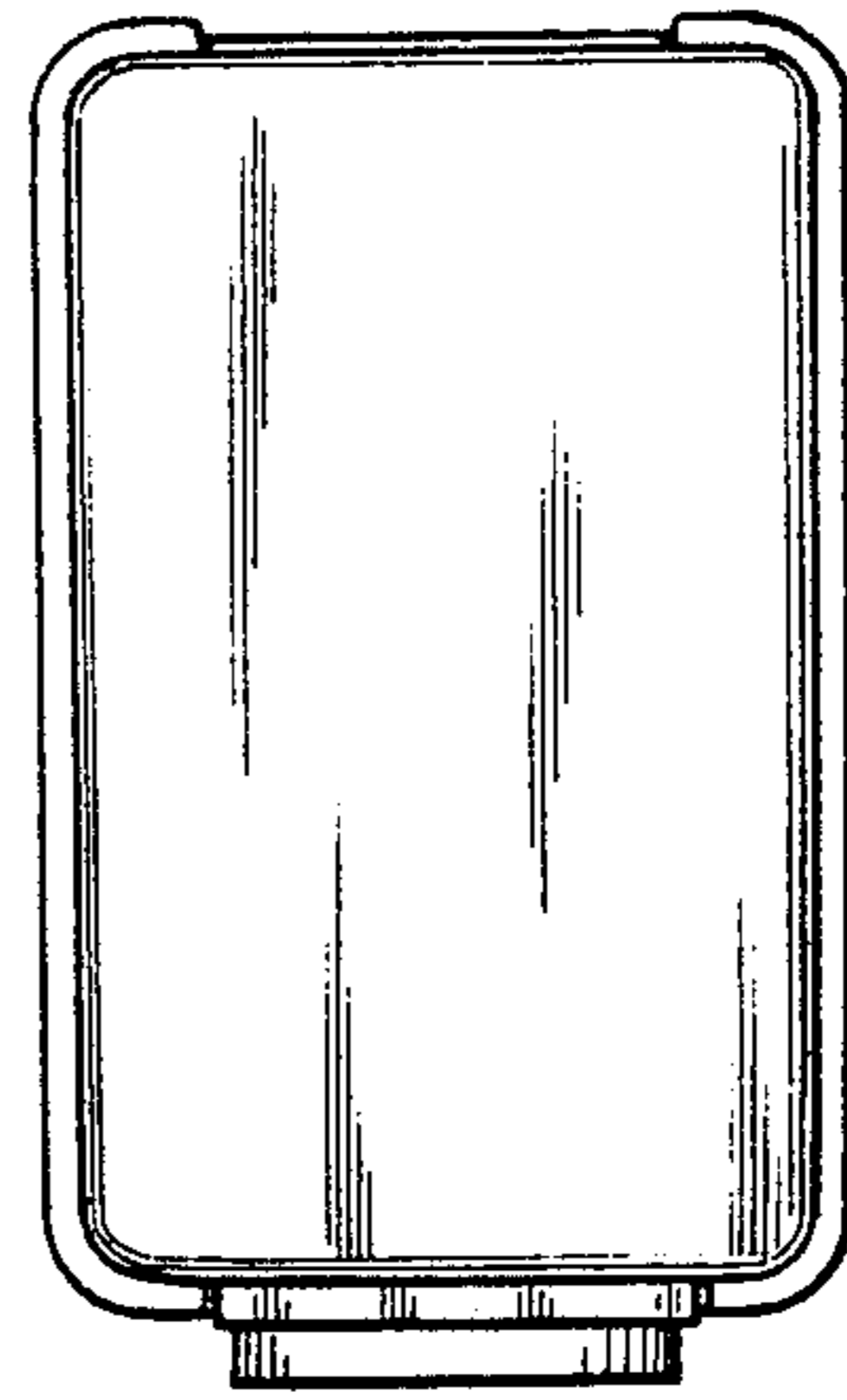


FIG. 4

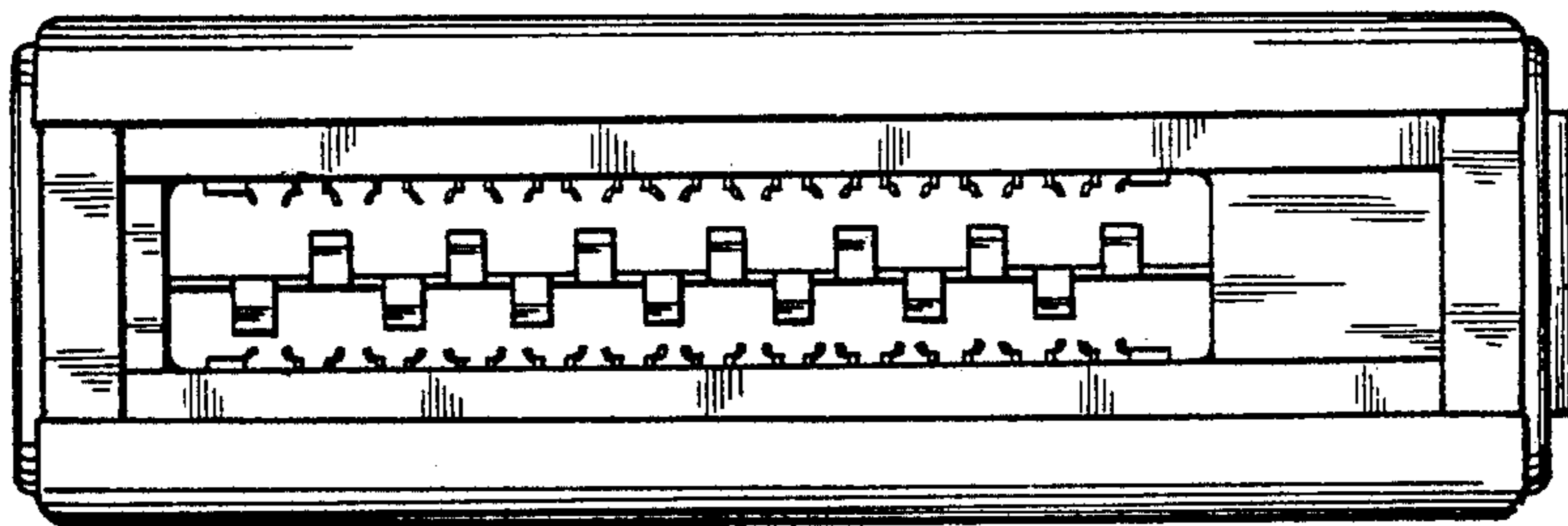


FIG. 5

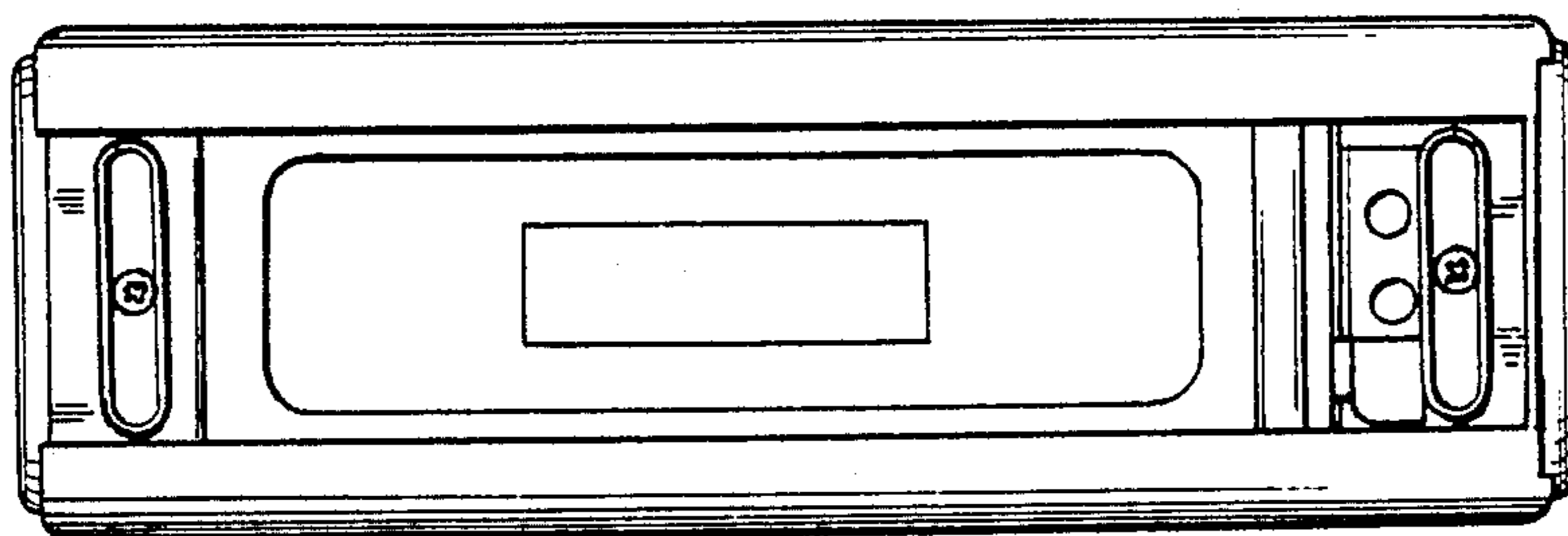


FIG. 6

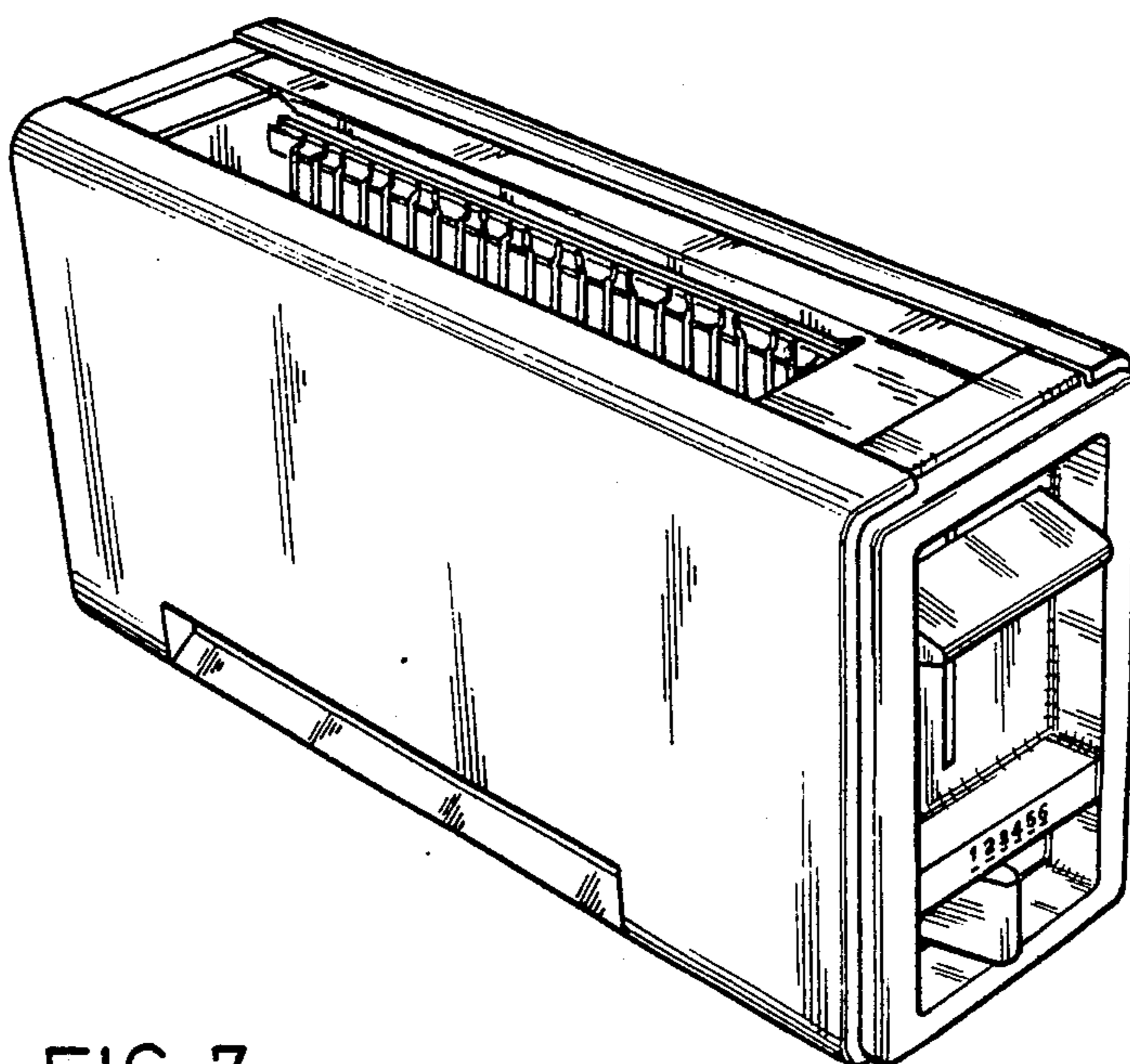


FIG. 7