

[54] TRAY FOR ATTACHMENT TO A WALKER OR THE LIKE

[76] Inventor: Richard J. Childress, 1631 Strand Way #11, Coronado, Calif.

[**] Term: 14 Years

[21] Appl. No.: 859,767

[22] Filed: May 5, 1986

[52] U.S. Cl. D7/71; D7/38

[58] Field of Search D7/71, 37, 38; 206/562-564; D9/341; 220/23.83, 23.86, 20; 294/146

[56] References Cited

U.S. PATENT DOCUMENTS

D. 220,774 5/1971 Goings D7/38
2,986,438 5/1961 Smathers et al. D7/38 X

FOREIGN PATENT DOCUMENTS

1151151 5/1969 United Kingdom 294/146

Primary Examiner—Bernard Ansher
Assistant Examiner—Terry Pfeffer
Attorney, Agent, or Firm—Calif Kip Tervo

[57] CLAIM

The ornamental design for a tray for attachment to a walker or the like, as shown and described.

DESCRIPTION

FIG. 1 is a perspective view of a tray for attachment to a walker or the like, showing my new design;
FIG. 2 is a top plan view thereof;
FIG. 3 is front elevational view thereof, the opposite side being a mirror image;
FIG. 4 is right side elevational view thereof, the opposite side being a mirror image;
FIG. 5 is a bottom plan view thereof; and
FIG. 6 is a cross-sectional view taken along line 6—6 of FIG. 2.

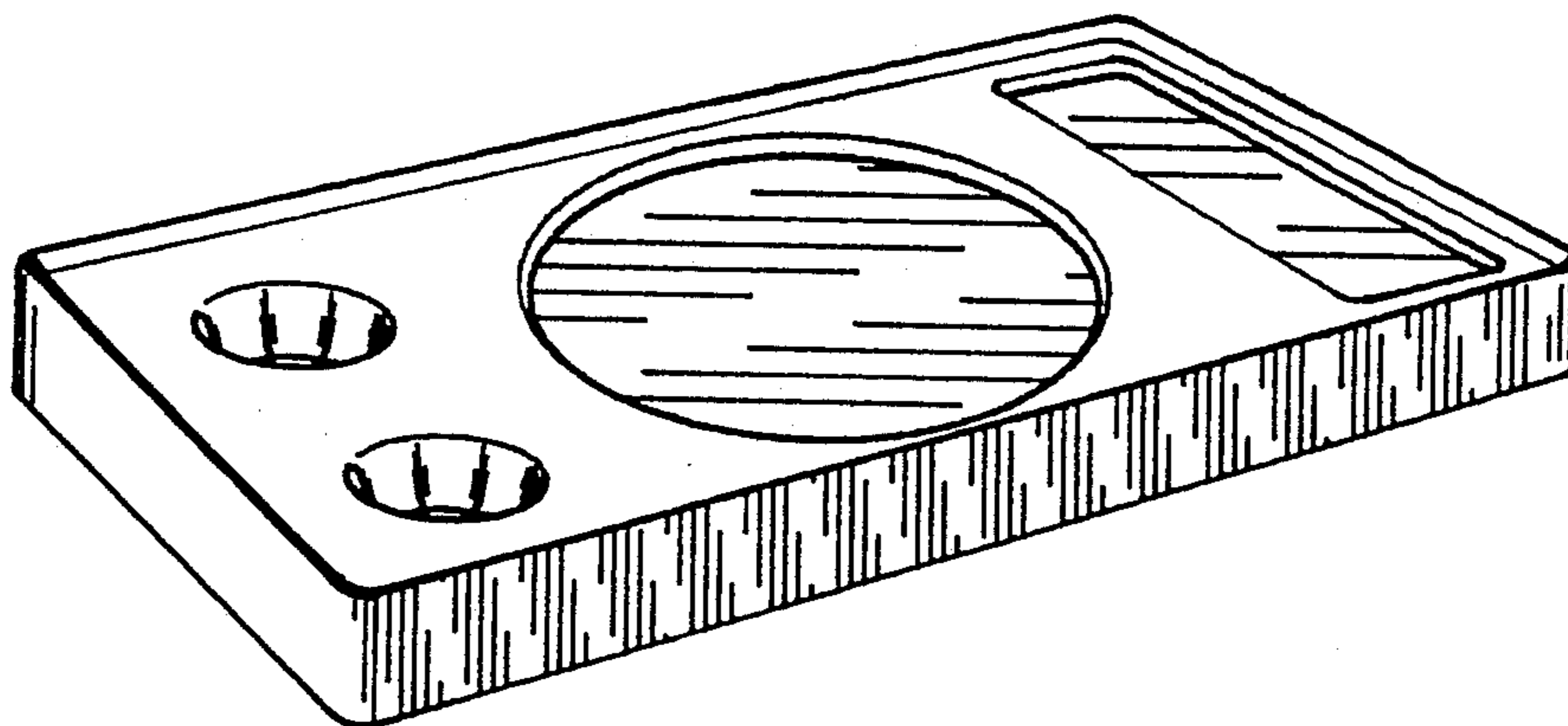


FIG. 1

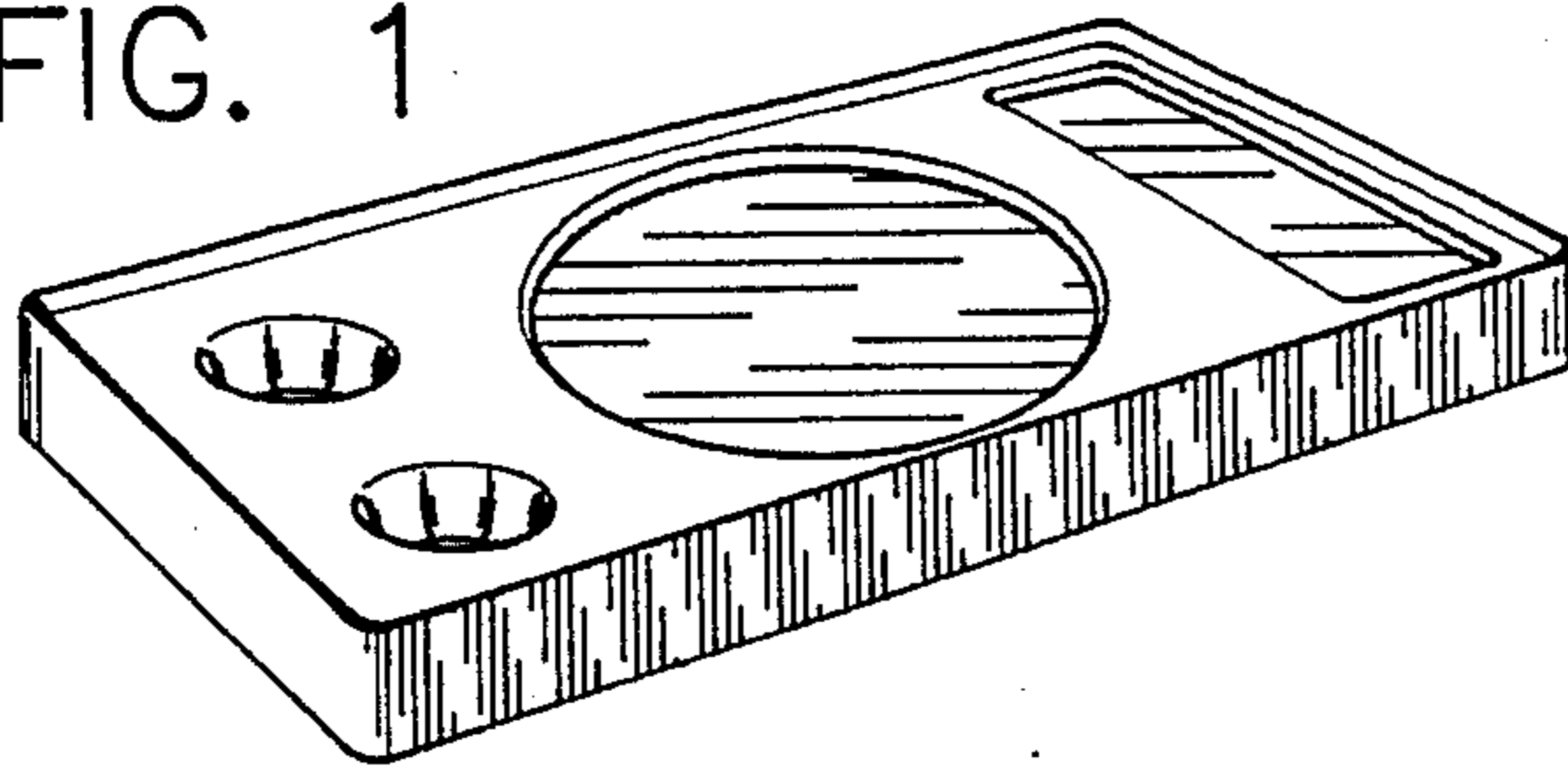


FIG. 3

FIG. 2

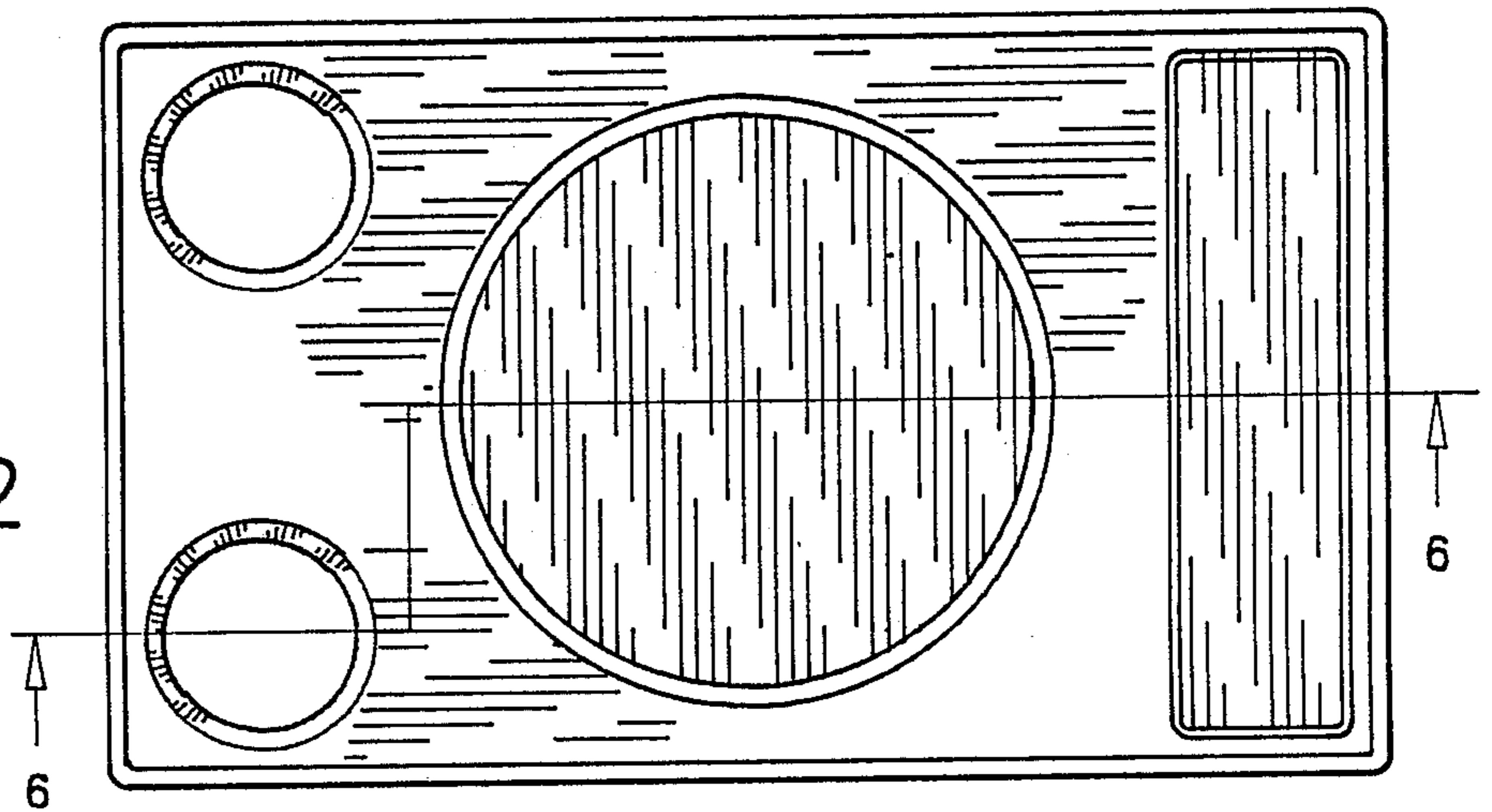


FIG. 4



FIG. 5

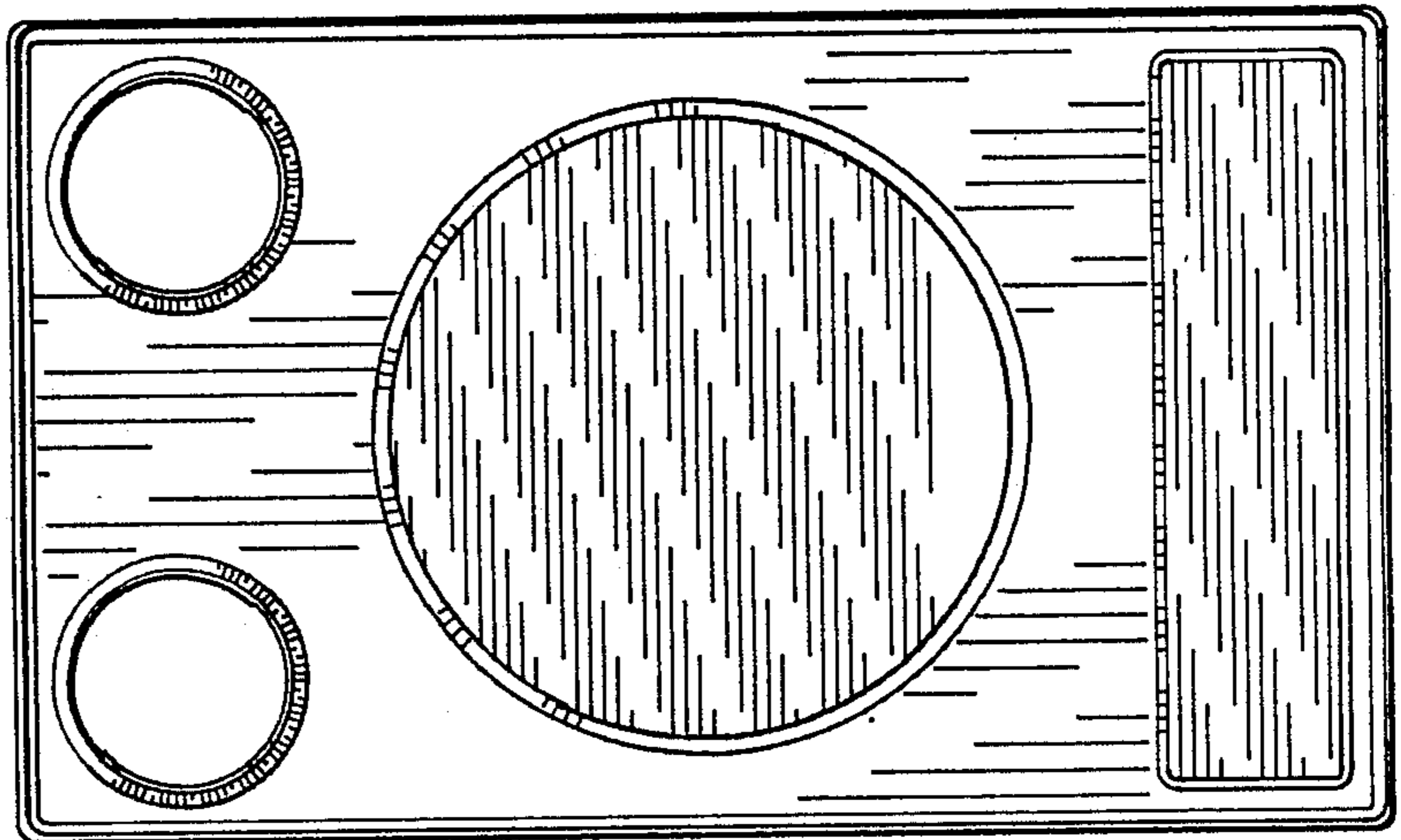


FIG. 6

