

United States Patent [19]

Pearce

[11] Patent Number: **Des. 300,492**

[45] Date of Patent: **** Apr. 4, 1989**

[54] **TRANSPARENT DISPENSER FOR ROLLED FILM**

[76] Inventor: **William A. Pearce, Rt. 3, Box 548, Glen Allen, Va. 23060**

[**] Term: **14 Years**

[21] Appl. No.: **847,555**

[22] Filed: **Mar. 31, 1986**

[52] U.S. Cl. **D6/518**

[58] Field of Search **D6/512, 518, 515, 522-523; 206/389; 211/60.1, 123; 221/45, 191, 282; 242/55.2, 55.53, 56 R; 312/37-39; D9/414, 416**

[56] **References Cited**

U.S. PATENT DOCUMENTS

D. 158,207 4/1950 Lench **D6/518**

D. 208,102 7/1967 Brandon **D6/518**
D. 273,063 3/1984 Gatward **D6/518**

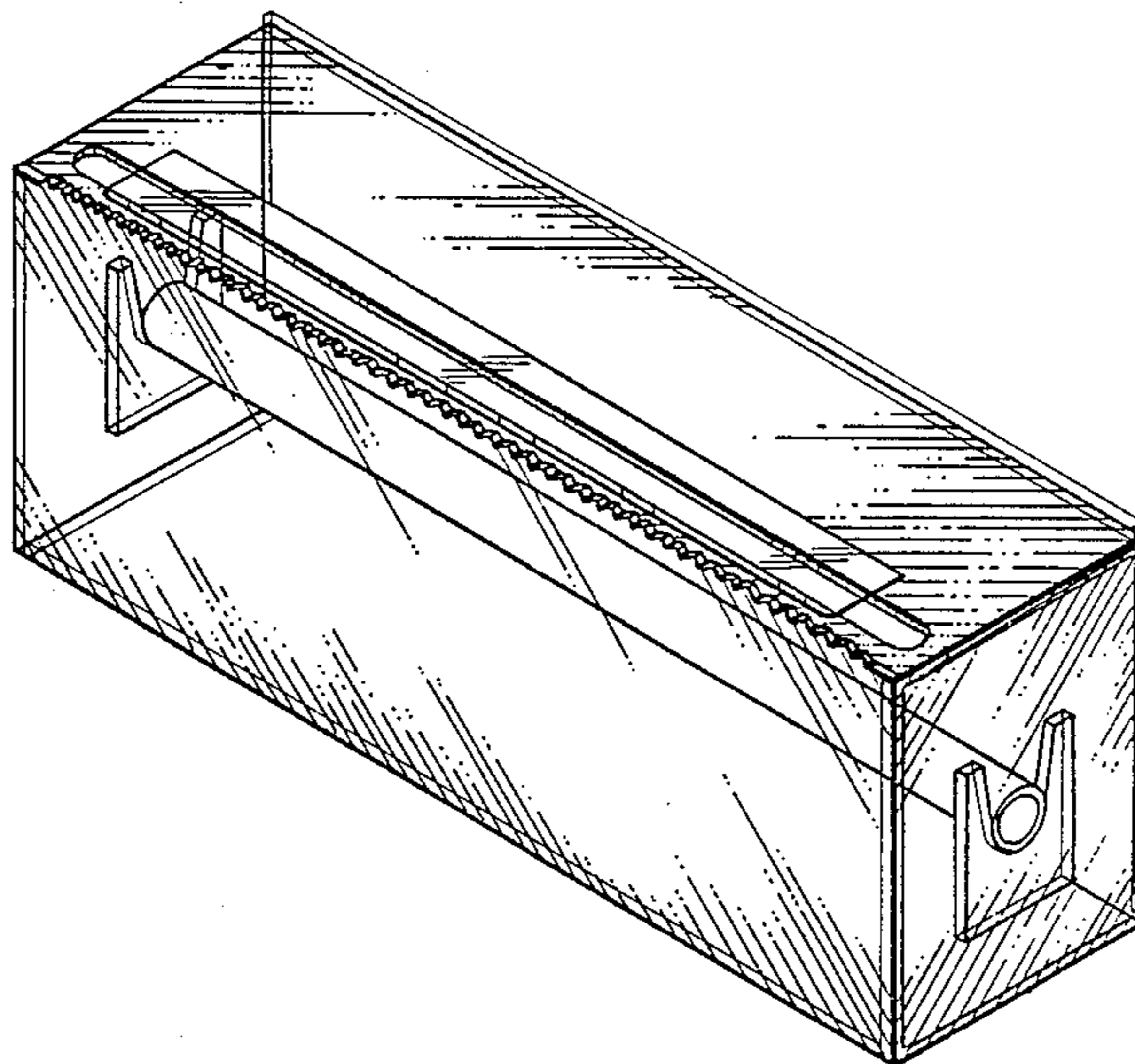
Primary Examiner—Wallace R. Burke
Assistant Examiner—Brian N. Vinson
Attorney, Agent, or Firm—Norman B. Rainer

[57] **CLAIM**

The ornamental design for a transparent dispenser for rolled film, as shown and described.

DESCRIPTION

FIG. 1 is a front perspective view of a transparent dispenser for rolled film showing my new design; FIG. 2 is a front elevational view thereof; FIG. 3 is a right side elevational view thereof, with the lid shown in an open position and the left side being a mirror image of that shown and, FIG. 4 is a rear elevational view thereof.



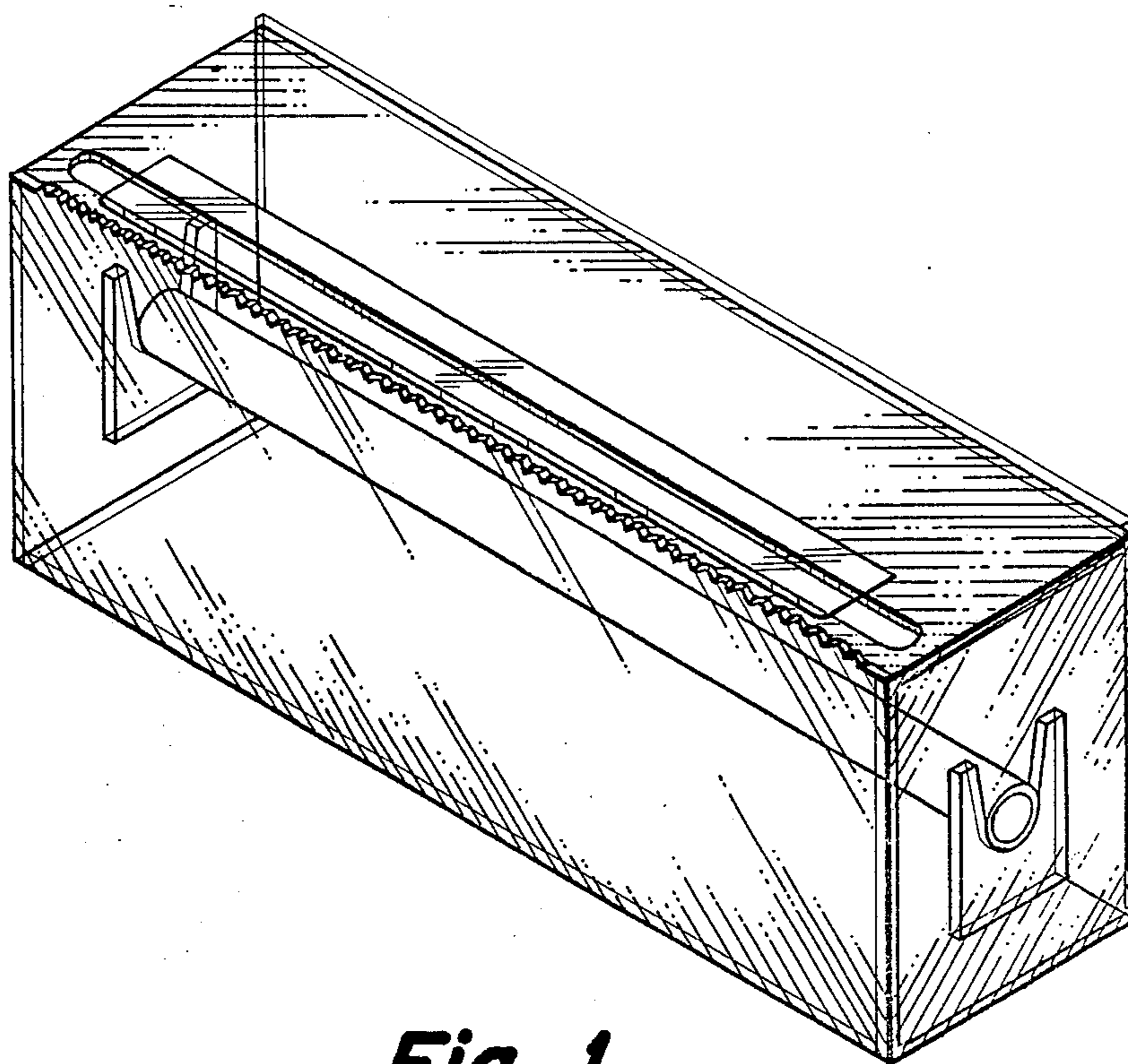


Fig. 1

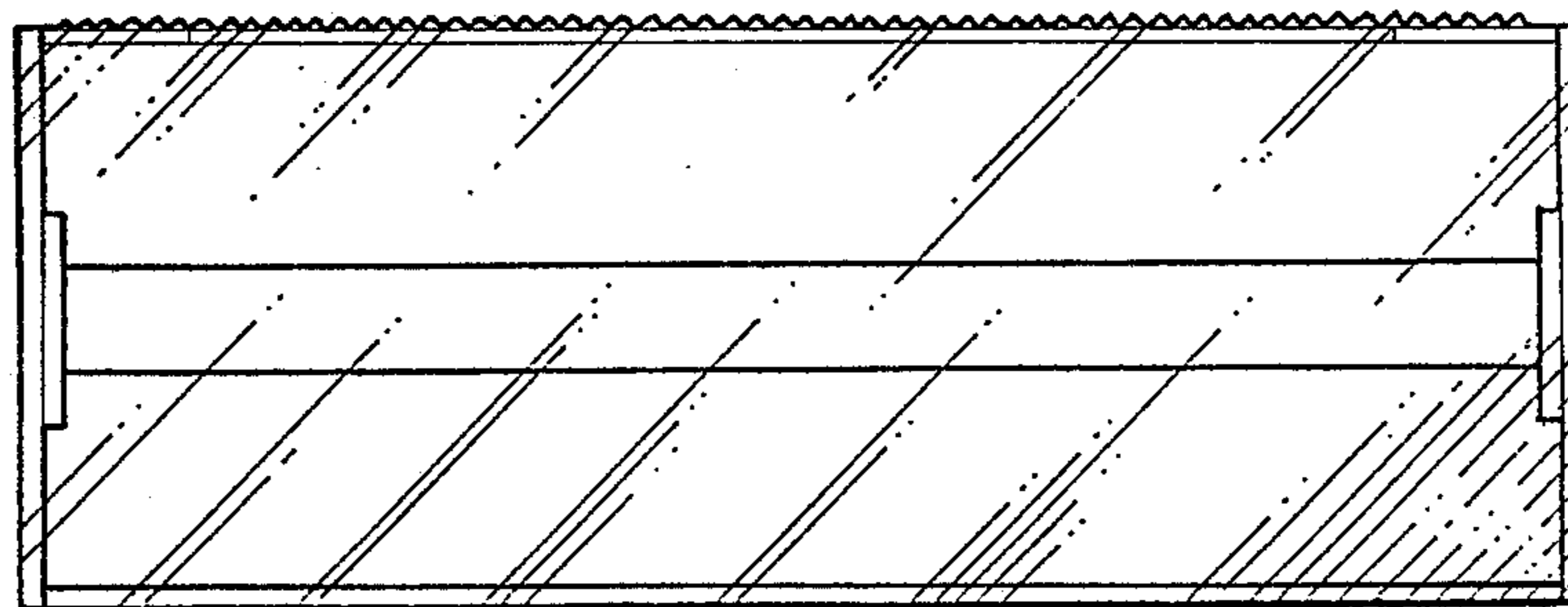


Fig. 2

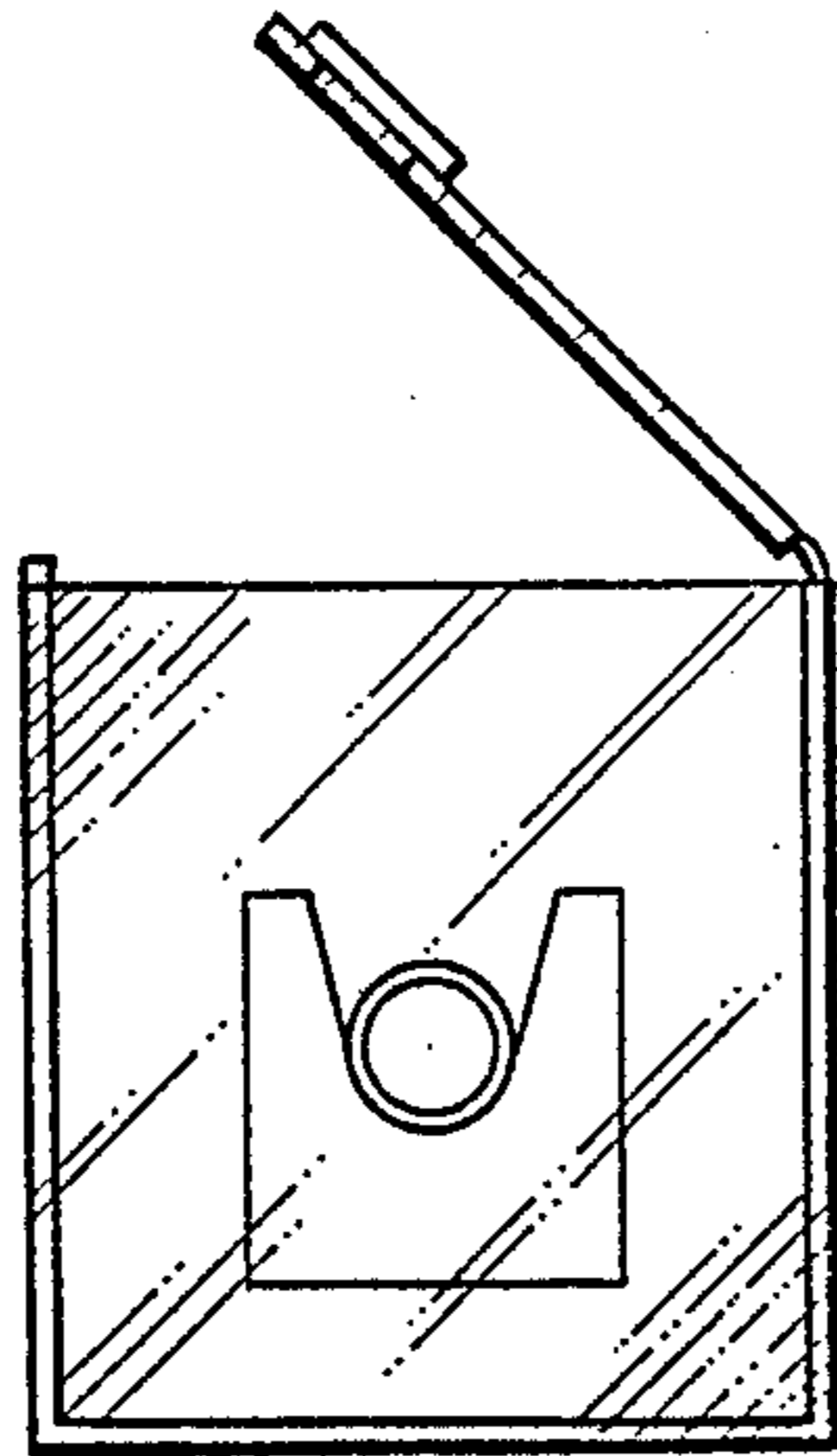


Fig. 3

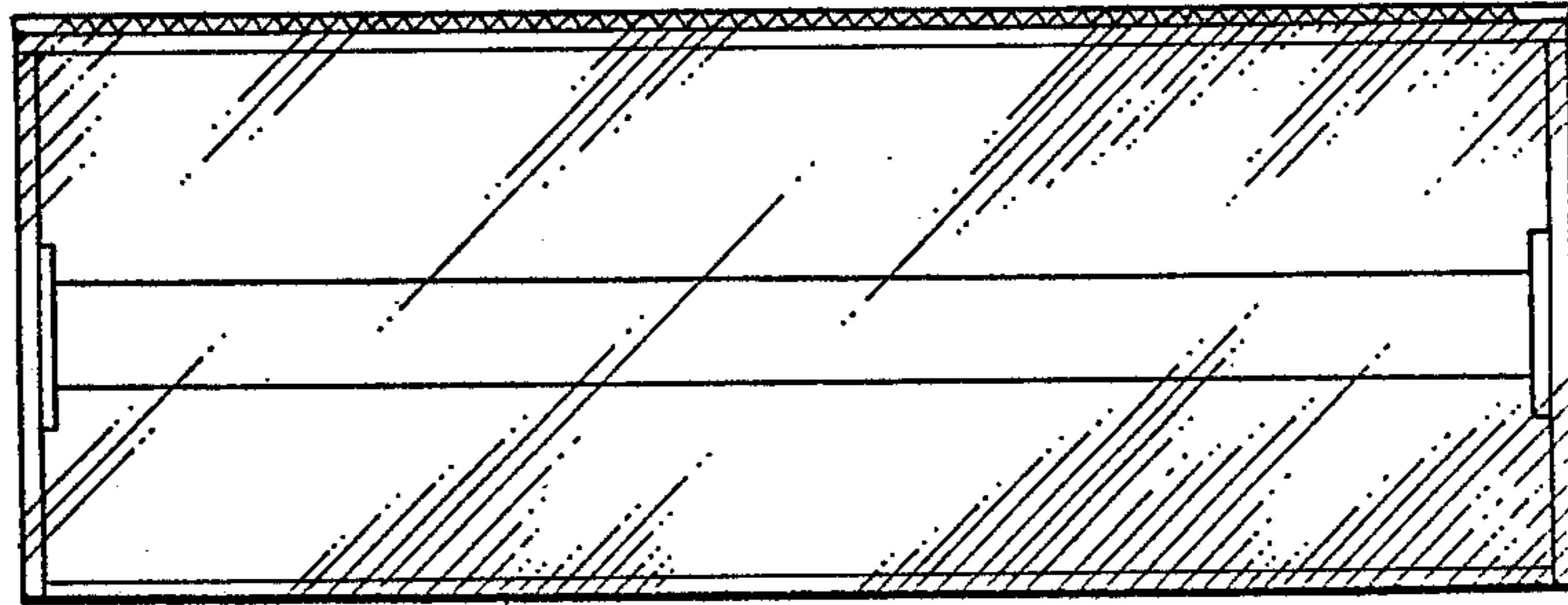


Fig. 4