

[54] OPERATOR WORKSTATION

[75] Inventor: Edmond J. Helstab, Ottawa, Canada

[73] Assignee: Northern Telecom Limited, Montreal, Canada

[\*\*] Term: 14 Years

[21] Appl. No.: 862,426

[22] Filed: May 8, 1986

[52] U.S. Cl. .... D6/474; D6/426

[58] Field of Search ..... D6/422, 473, 423, 474, D6/425, 426, 427, 428, 480, 484; 312/194, 195, 196

[56] References Cited

U.S. PATENT DOCUMENTS

- D. 220,113 3/1971 Trombly ..... D6/428 X
- D. 222,977 2/1972 Schubert et al. .... D6/426
- D. 233,106 10/1974 Dean et al. .... D6/428
- D. 252,820 9/1979 Olson ..... D6/426 X
- D. 281,297 11/1985 Esslinger ..... D6/423 X

- D. 284,532 7/1986 Vogt ..... D6/428
- D. 292,154 10/1987 Worrell et al. .... D6/480 X
- 2,497,278 2/1950 Soderlund ..... 312/194 X

OTHER PUBLICATIONS

*Interiors*, 12-1972, p. 22; bottom right corner on page.

*Primary Examiner*—Carmen H. Vales

*Attorney, Agent, or Firm*—Robert C. Hogeboom

[57] CLAIM

The ornamental design for an operator workstation, as shown and described.

DESCRIPTION

FIG. 1 is a perspective view of an operator workstation showing my new design, the broken lines indicate environmental structure and form no part of the claimed design;

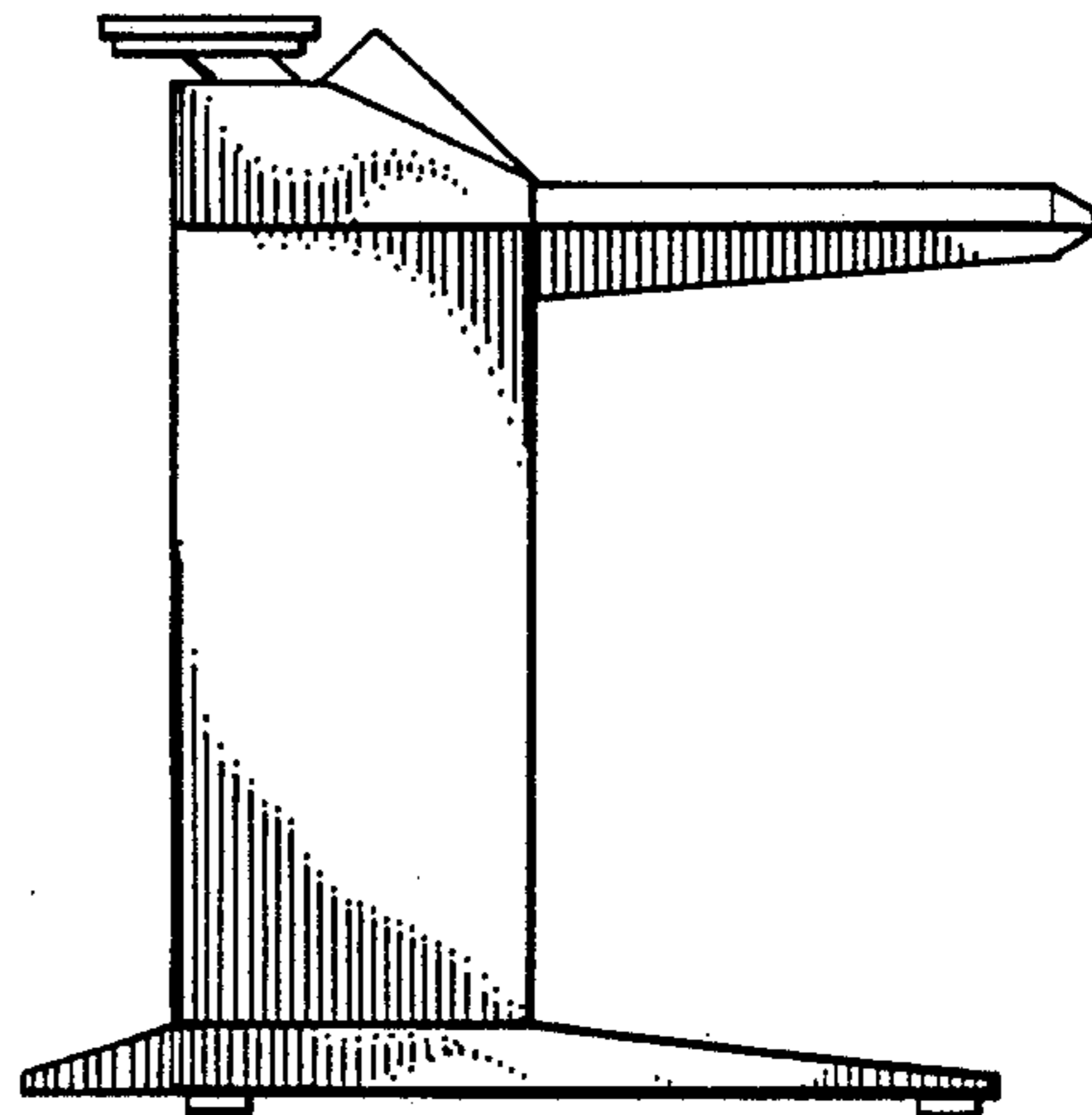
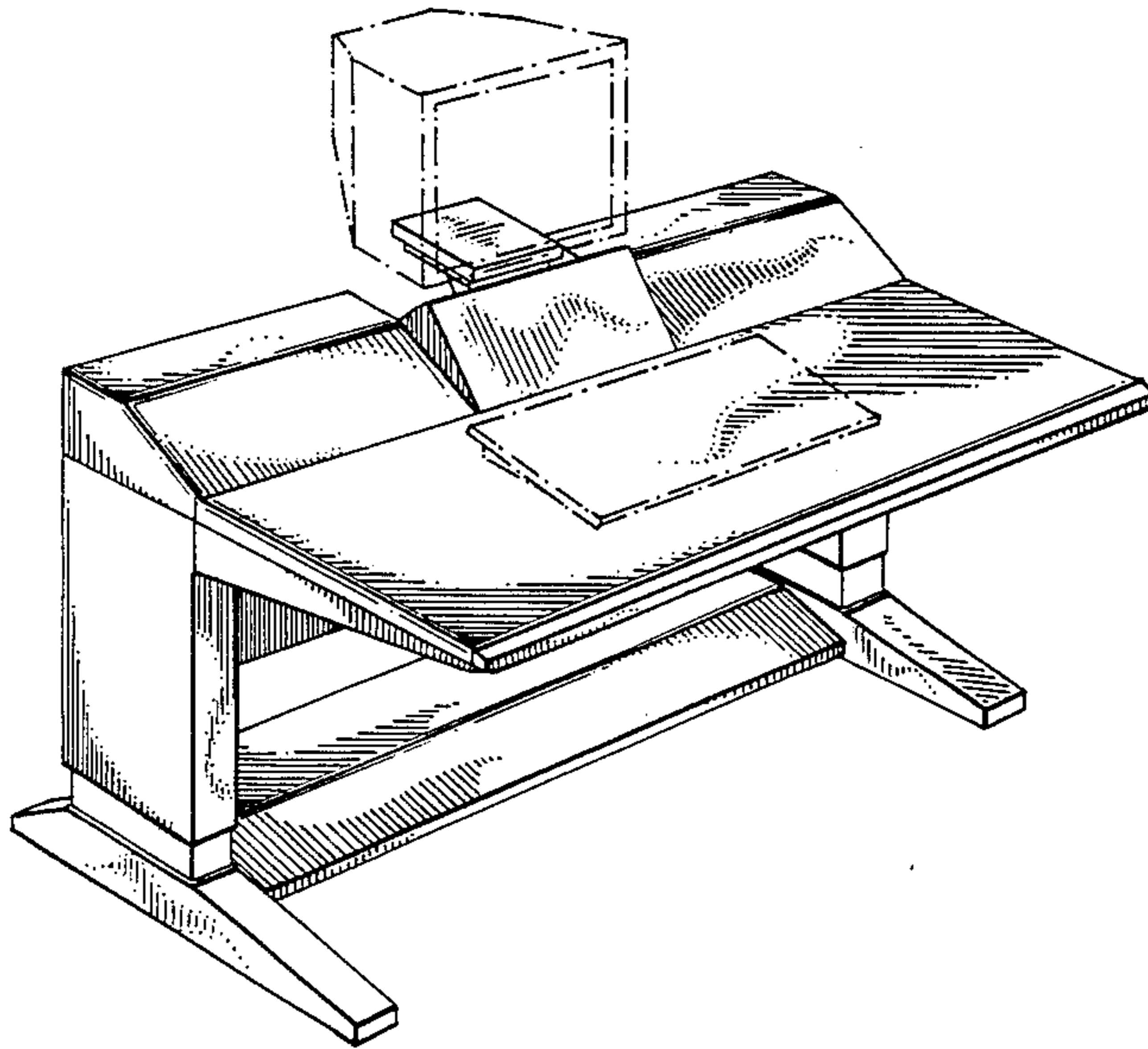
FIG. 2 is a front elevation view thereof;

FIG. 3 is a side elevational view;

FIG. 4 is a top plan view;

FIG. 5 is a bottom plan view; and

FIG. 6 is a rear elevational view thereof.



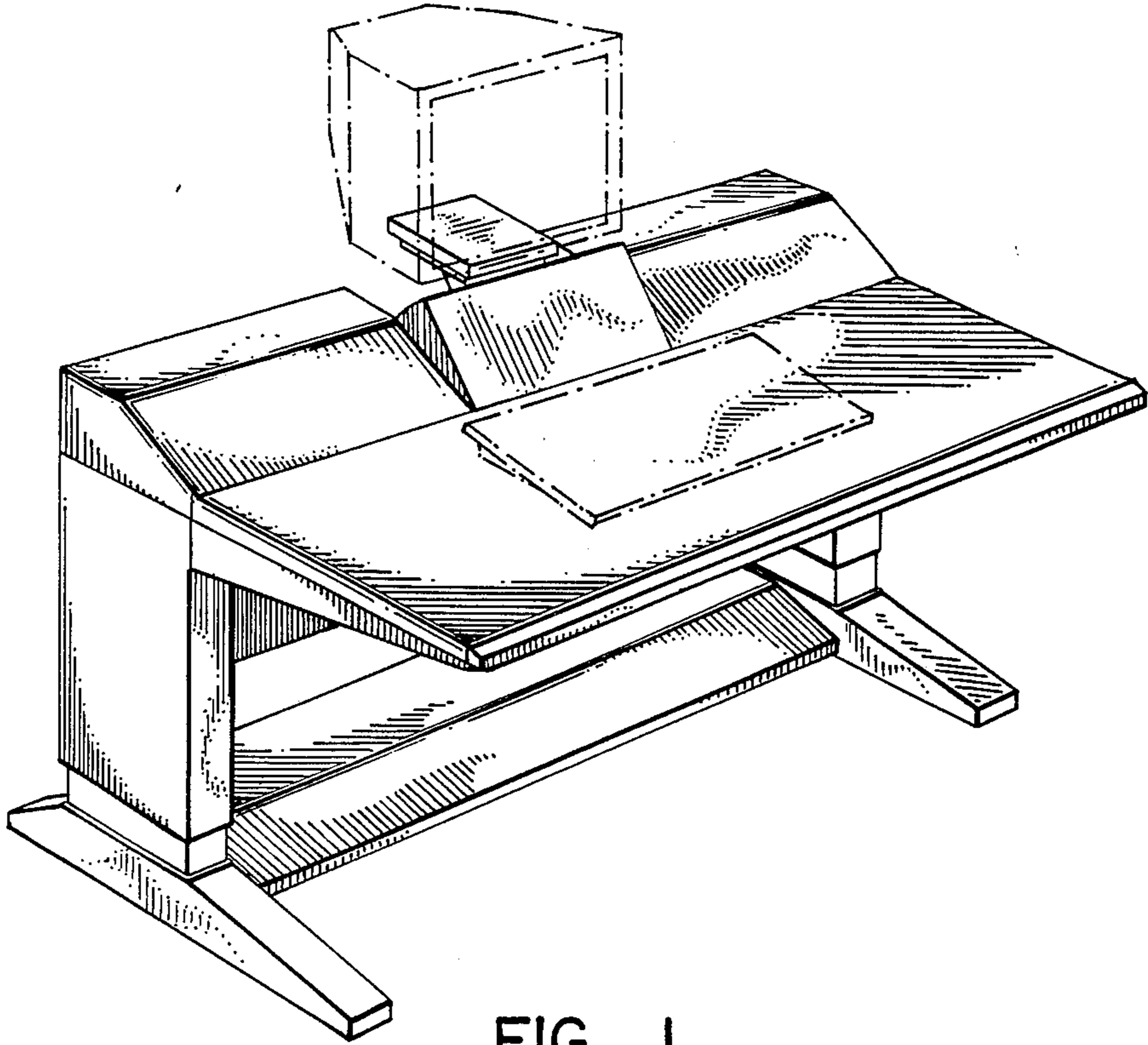


FIG. 1

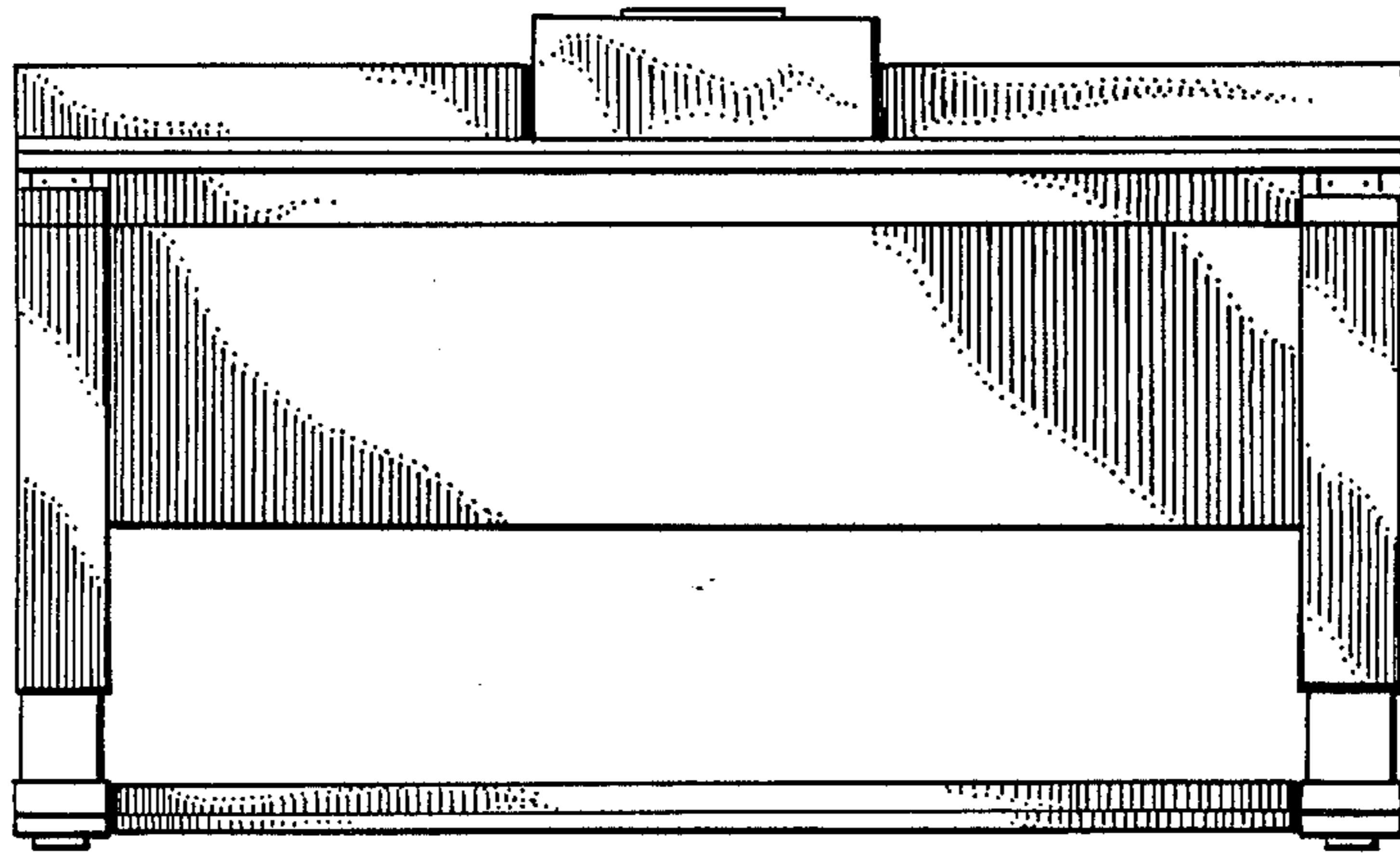


FIG. 2

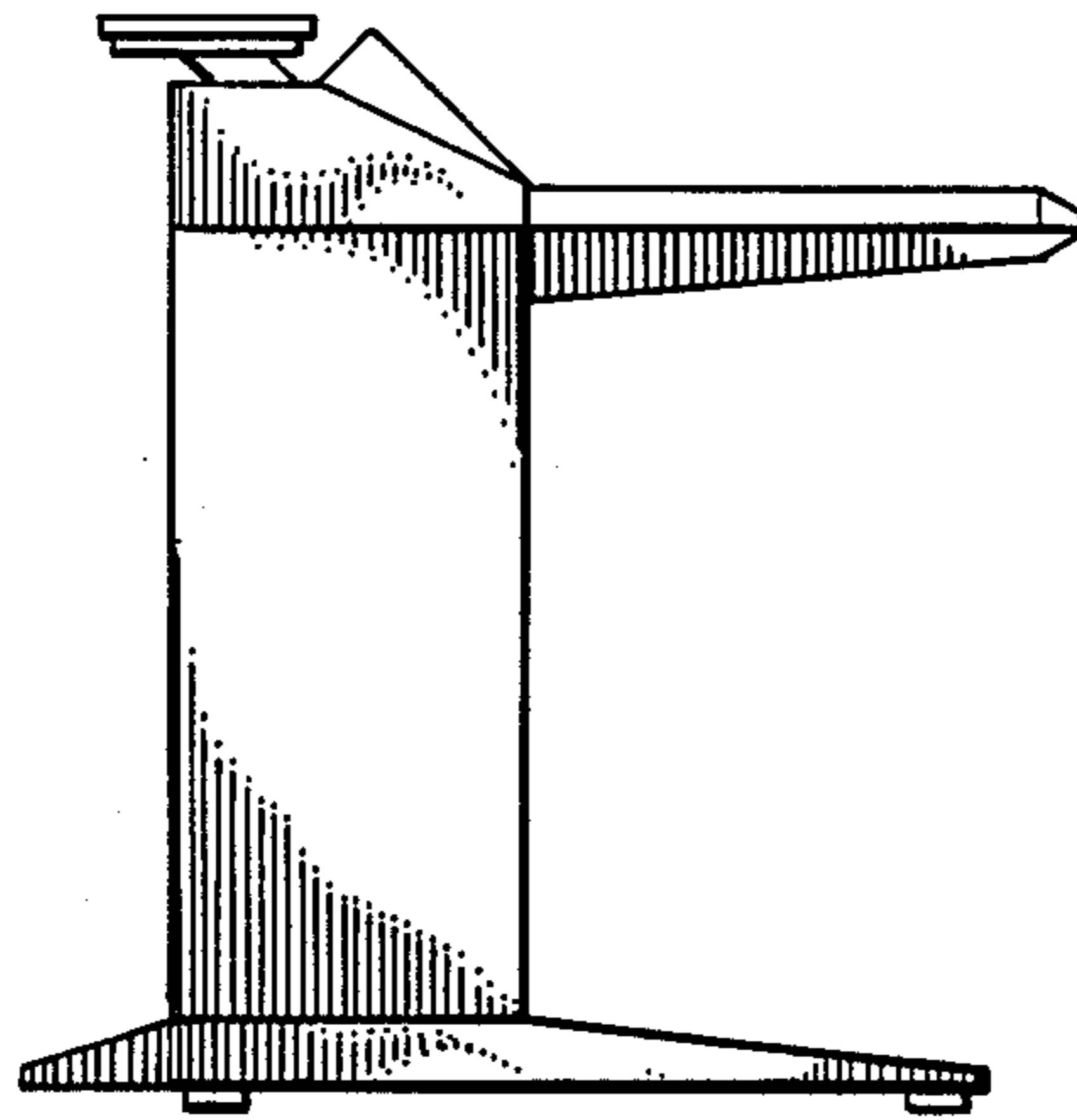


FIG. 3

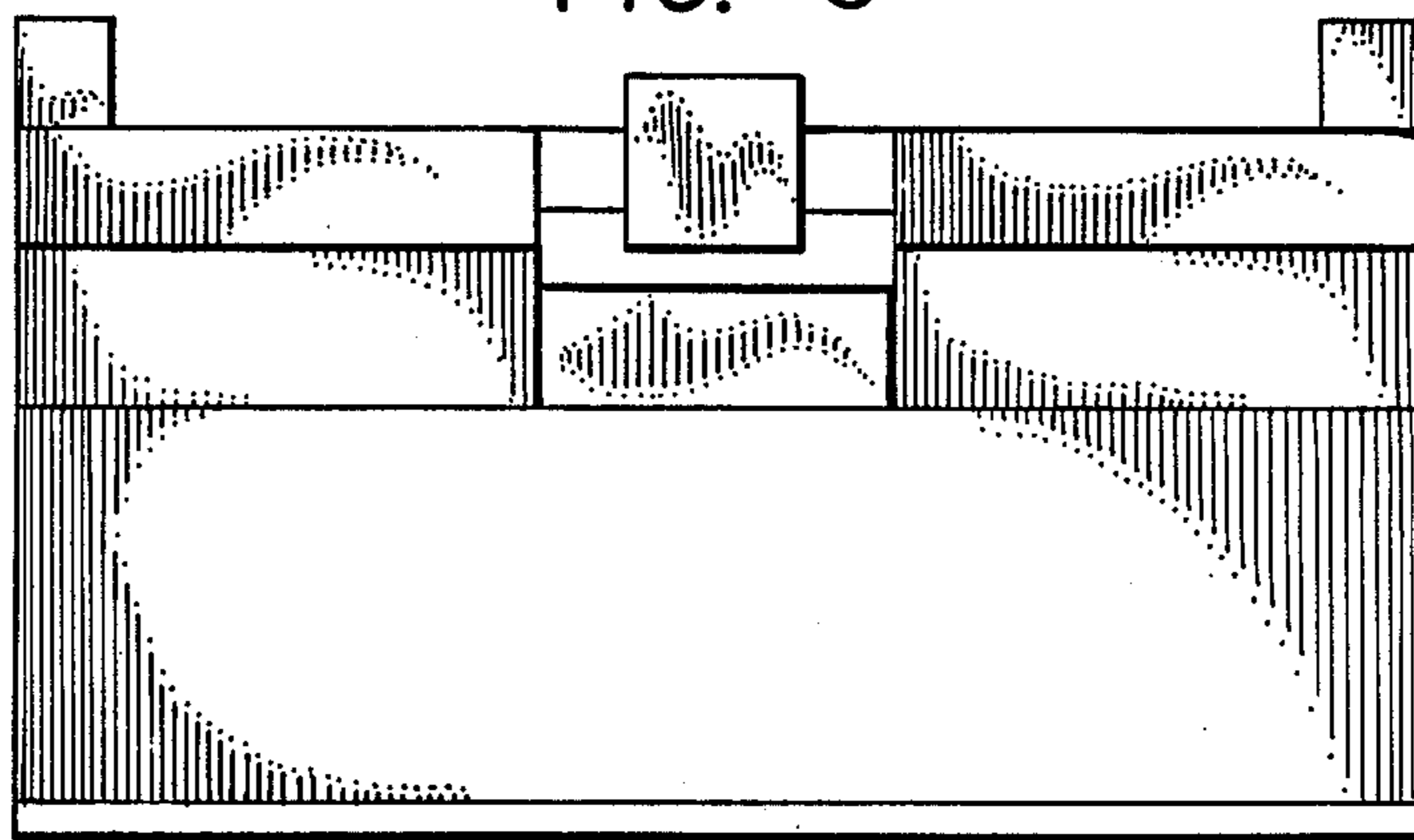


FIG. 4

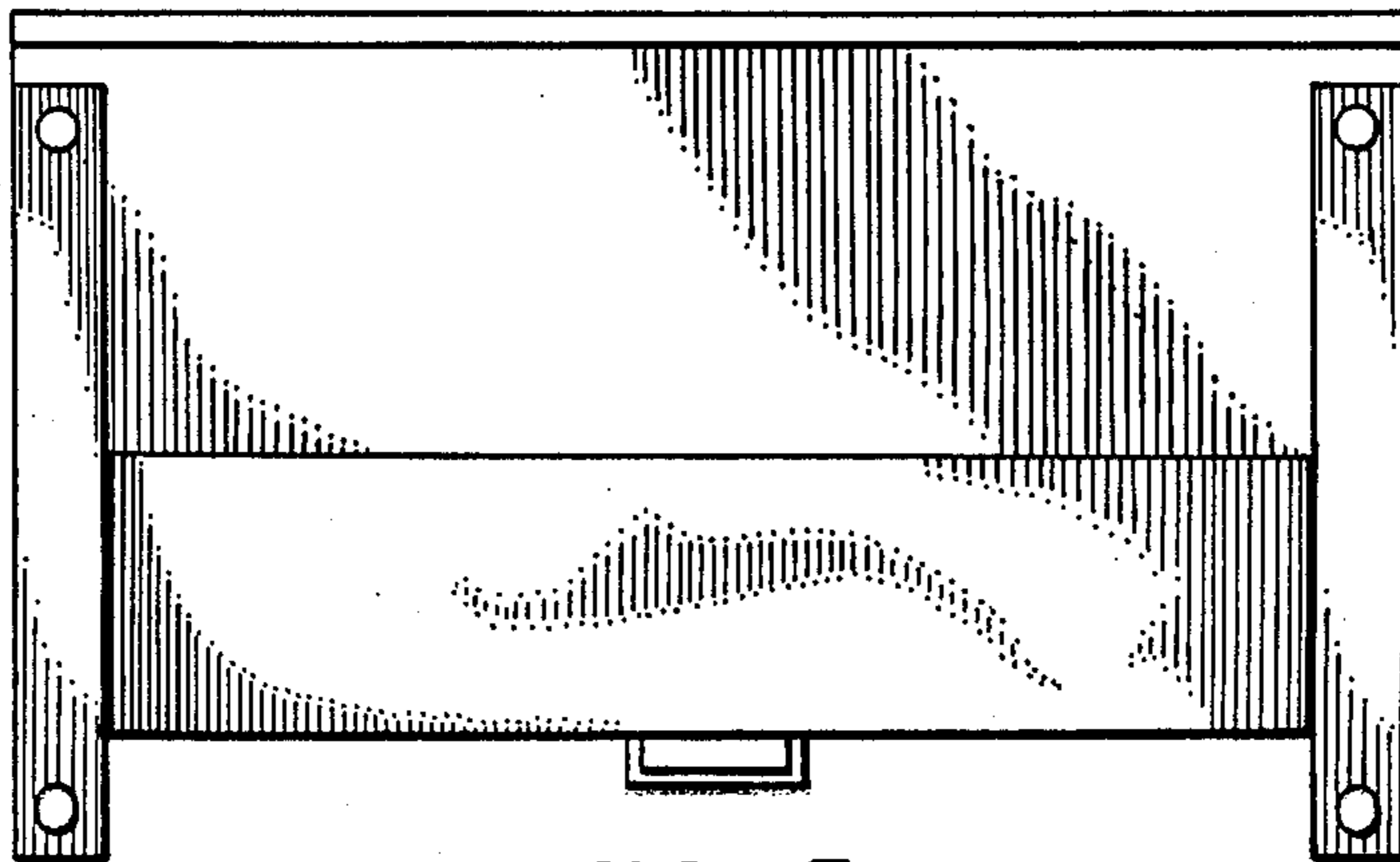


FIG. 5

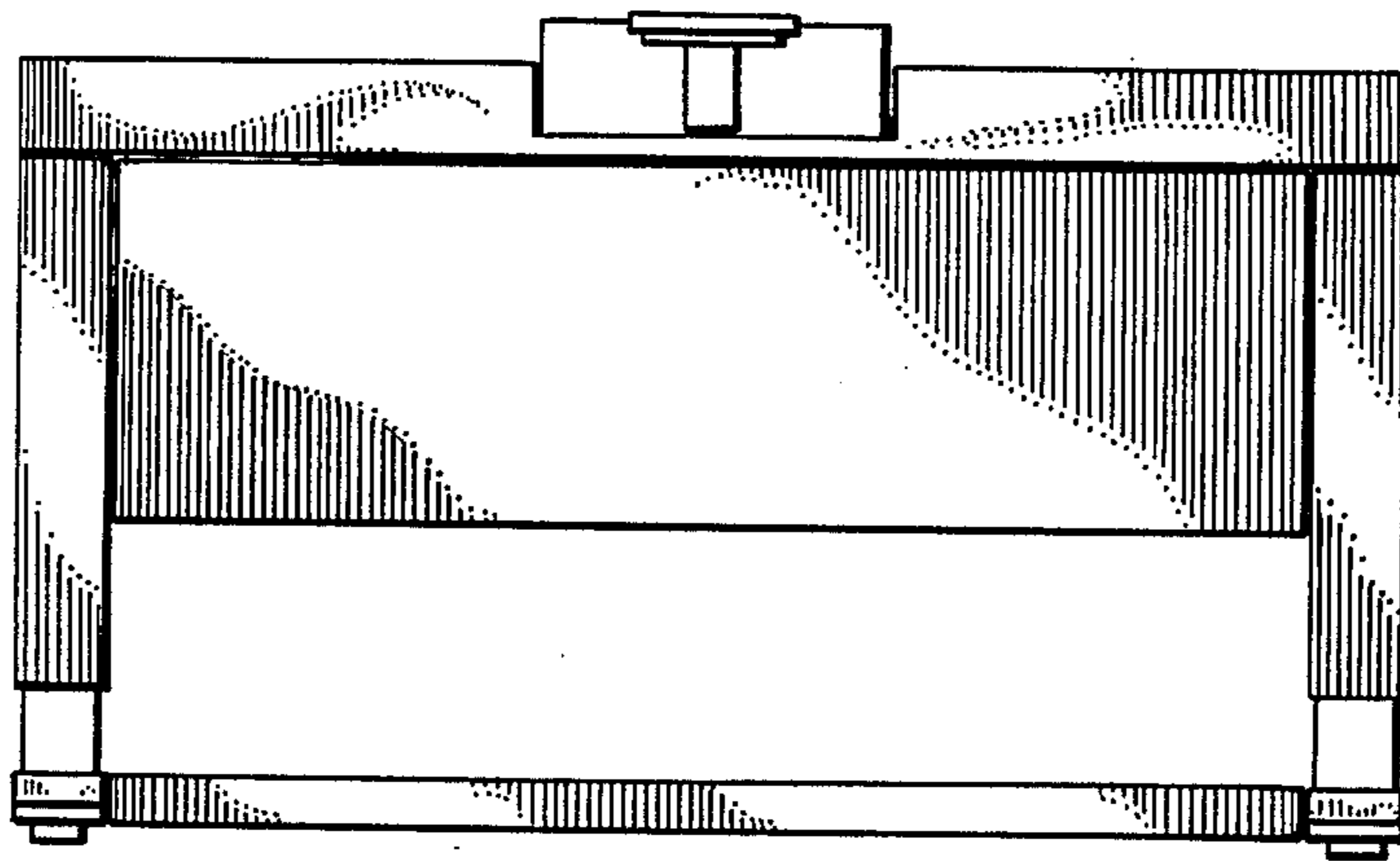


FIG. 6