

[54] **COAT-STAND**

[75] **Inventor:** Winfried Scholl, Düsseldorf, Fed. Rep. of Germany

[73] **Assignee:** FA. Hewi Heinrich Wilke GmbH, Arolsen, Fed. Rep. of Germany

[\*\*] **Term:** 14 Years

[21] **Appl. No.:** 169,336

[22] **Filed:** Mar. 17, 1988

**Related U.S. Application Data**

[62] Division of Ser. No. 771,051, Aug. 30, 1985, Pat. No. Des. 296,164.

[30] **Foreign Application Priority Data**

Mar. 1, 1985 [DE] Fed. Rep. of Germany ..... MR246

[52] **U.S. Cl.** ..... D6/411

[58] **Field of Search** ..... D6/411, 412, 413, 414, D6/415, 462, 455, 458; 211/13, 205

[56] **References Cited**

**U.S. PATENT DOCUMENTS**

- D. 152,688 2/1949 Hammond ..... D6/411
- D. 186,517 11/1959 Walsh et al. .... D6/411
- D. 186,607 11/1959 Hembo et al. .... D6/411
- D. 196,550 10/1963 Lovald ..... D6/411

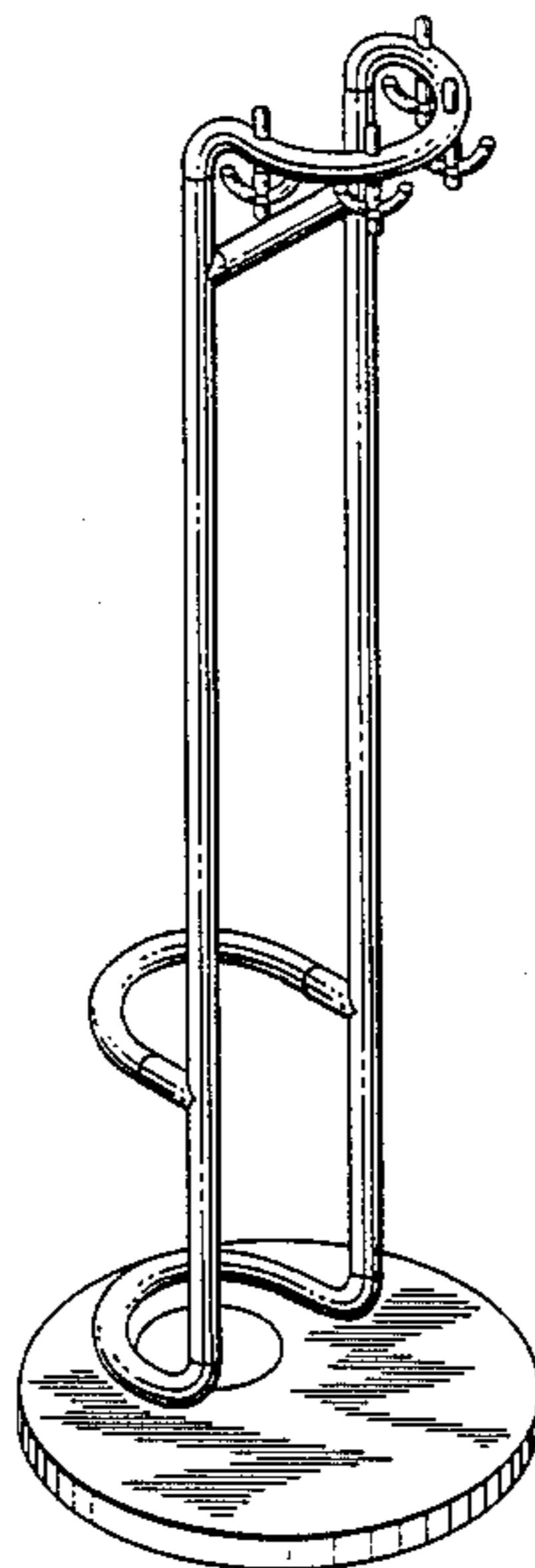
*Primary Examiner*—Carmen H. Vales

[57] **CLAIM**

The ornamental design for a coat stand, as shown and described.

**DESCRIPTION**

FIG. 1 is a top perspective view of a coat-stand according to my new design;  
FIG. 2 is a front elevational view thereof;  
FIG. 3 is a left side elevational view thereof;  
FIG. 4 is a top plan view thereof;  
FIG. 5 is a bottom plan view thereof;  
FIG. 6 is a right side elevational view thereof; and  
FIG. 7 is a bottom perspective view thereof.



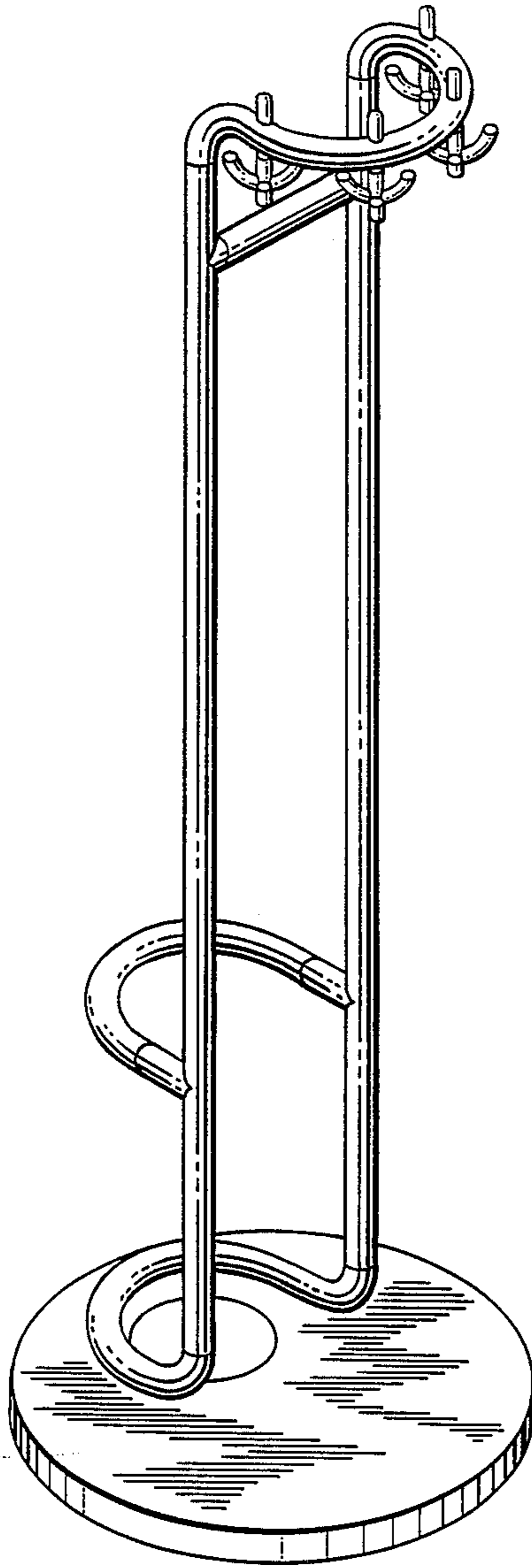


FIG. 1

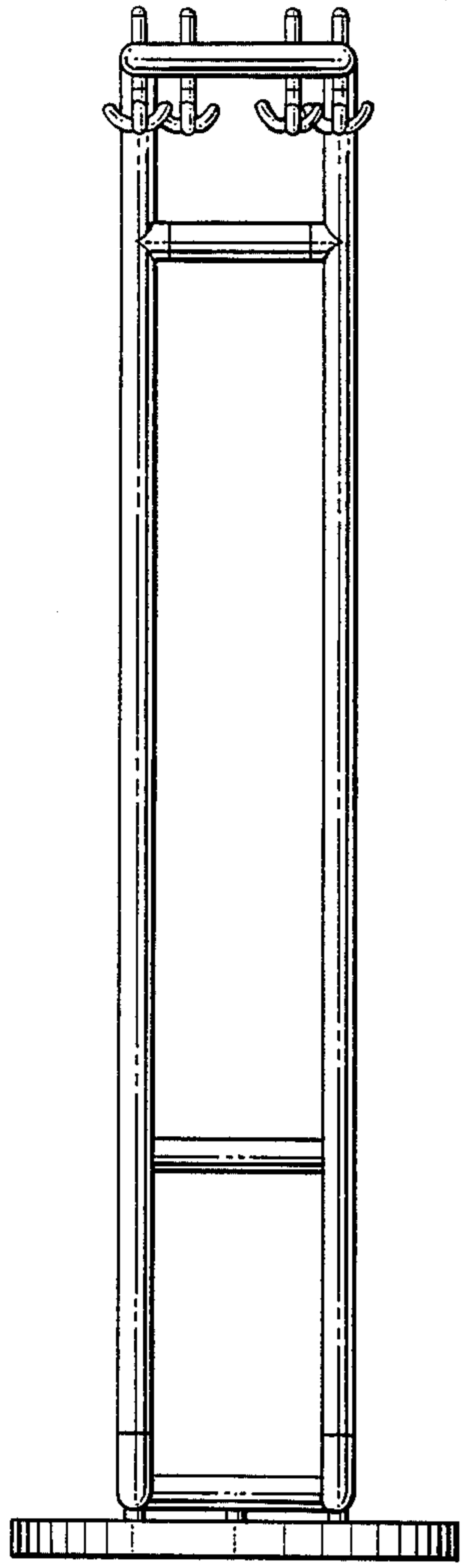


FIG. 2

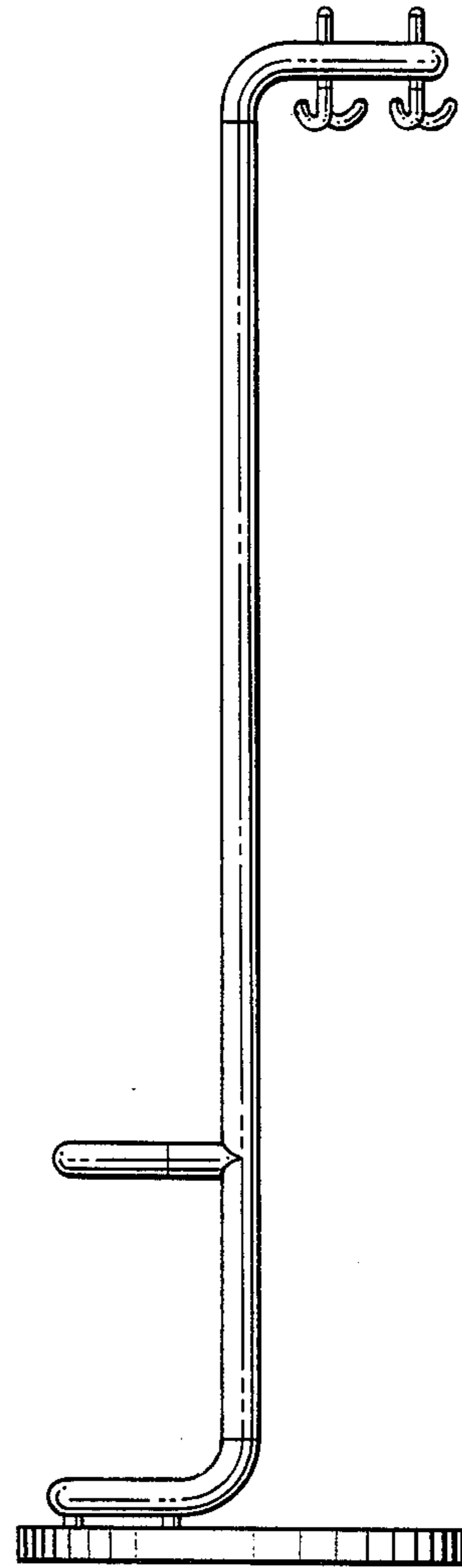


FIG. 3

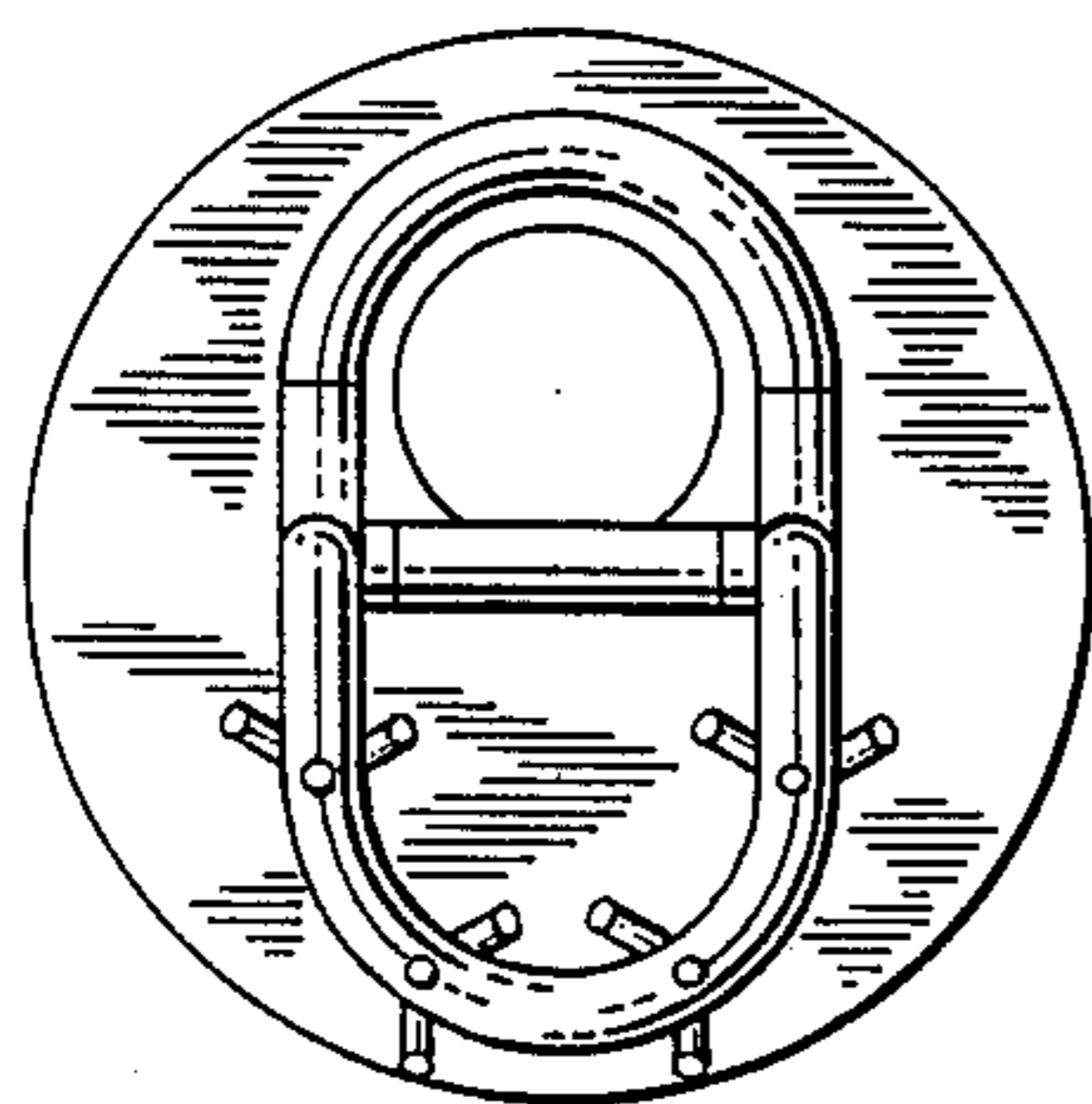


FIG. 4

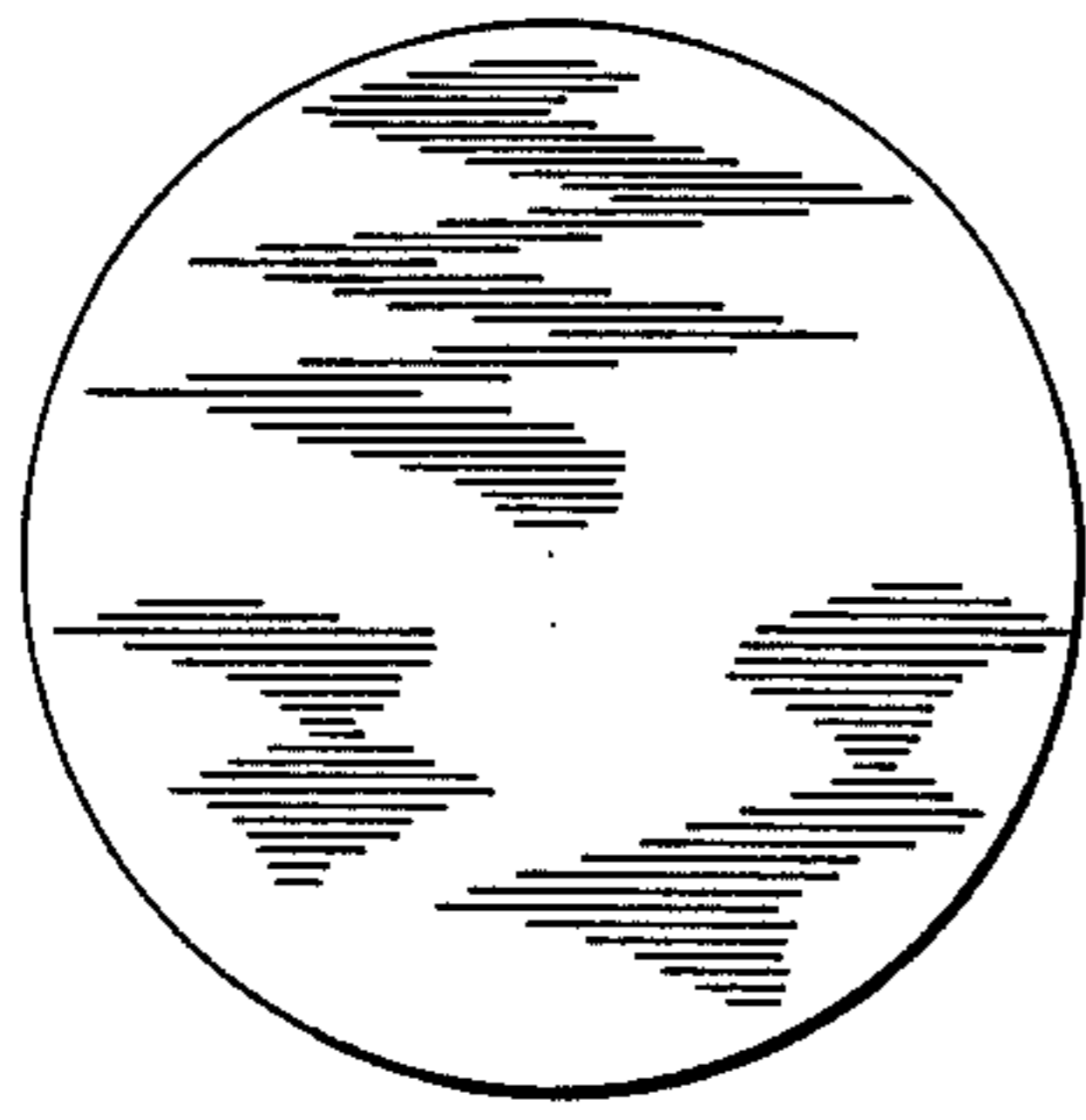


FIG. 5

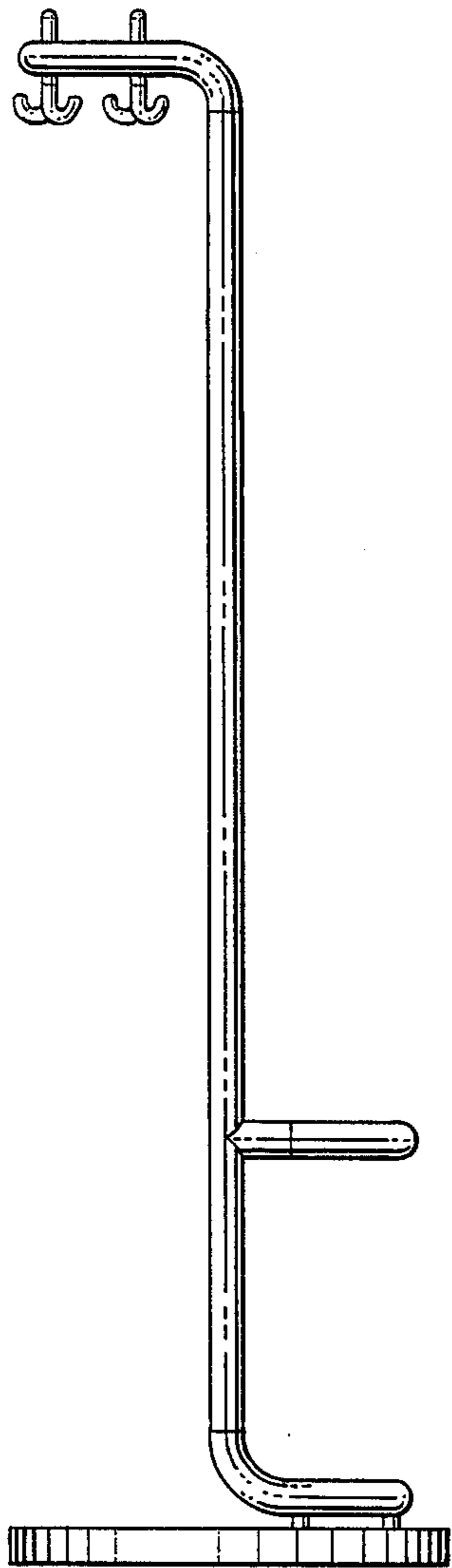


FIG. 6

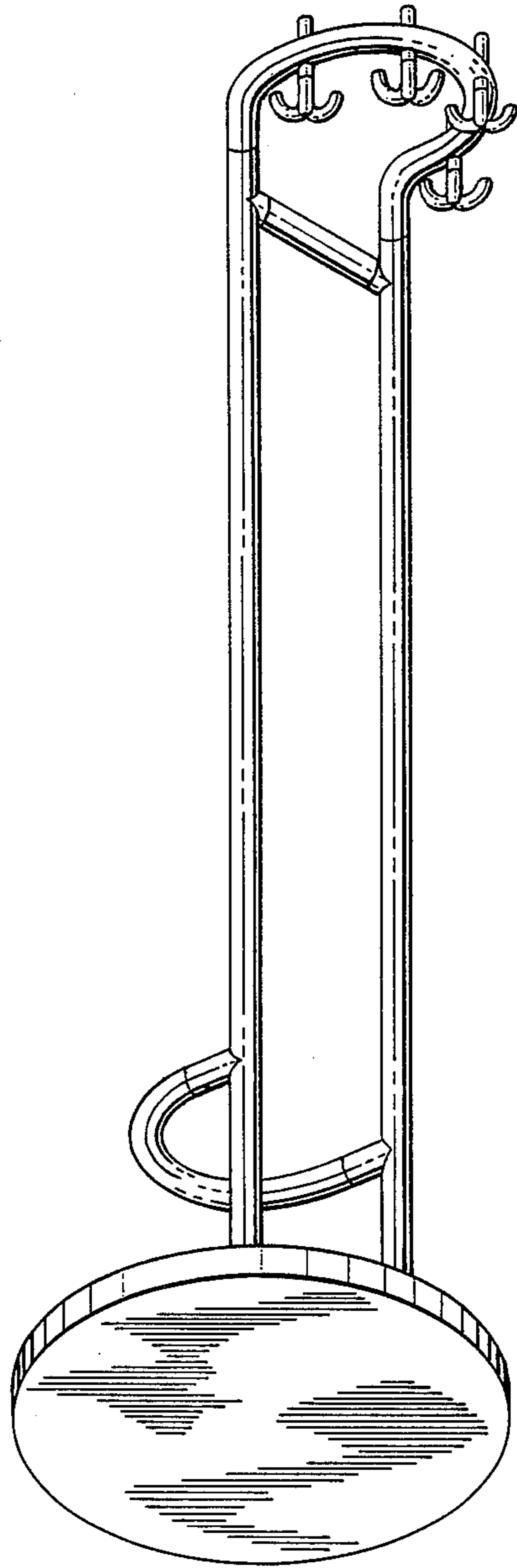


FIG. 7