

[54] KITCHEN CABINET FRAME

[75] Inventor: Francisco D. Irace, Rosario, Argentina

[73] Assignee: Fabrica Sideral Sociedad de Responsabilidad Limitada, Argentina

[**] Term: 14 Years

[21] Appl. No.: 833,486

[22] Filed: Feb. 12, 1986

[30] Foreign Application Priority Data

Aug. 20, 1985 [AR] Argentina 48368
 [52] U.S. Cl. D6/329
 [58] Field of Search D6/432, 329, 449, 446, D6/447; 312/253, 264, 330 R

[56] References Cited

U.S. PATENT DOCUMENTS

D. 240,987	8/1976	DeLucia	D6/447
2,146,939	2/1939	Coordes	312/253 X
2,730,421	1/1956	Burst et al.	312/330 R X
2,866,676	12/1958	Goebel	312/253 X
3,034,844	5/1962	Anderson et al.	312/253 X
3,738,726	6/1973	Burst et al.	312/330 R X

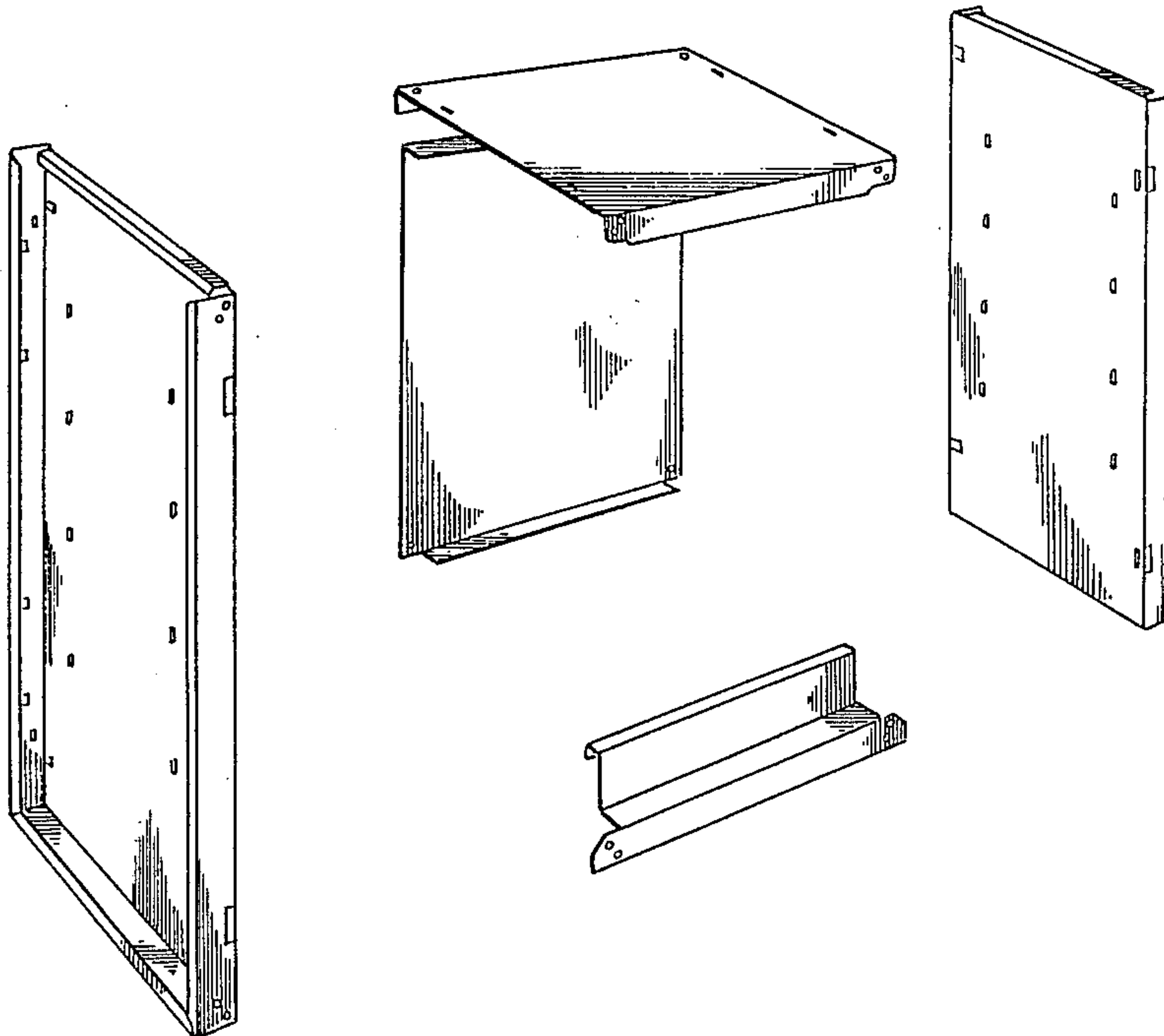
Primary Examiner—Carmen H. Vales
Attorney, Agent, or Firm—McGlew and Tuttle

[57] CLAIM

The ornamental design for a kitchen cabinet frame, as shown and described.

DESCRIPTION

FIG. 1 is a perspective view of a kitchen cabinet frame showing my new design; the opposite side being identical thereto;
 FIG. 2 is a rear perspective view thereof; and
 FIG. 3 is an exploded perspective view thereof.



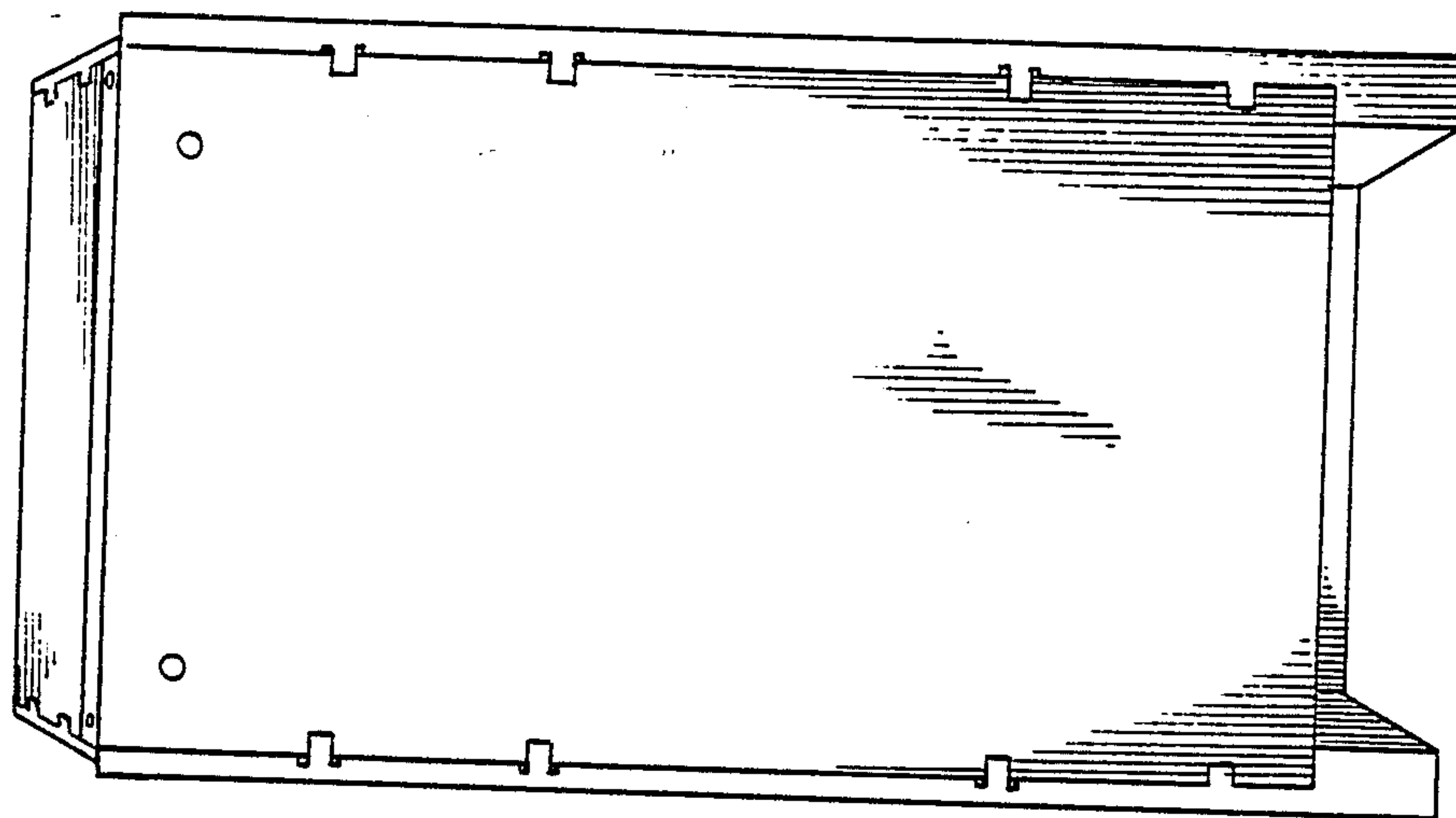


FIG. 2

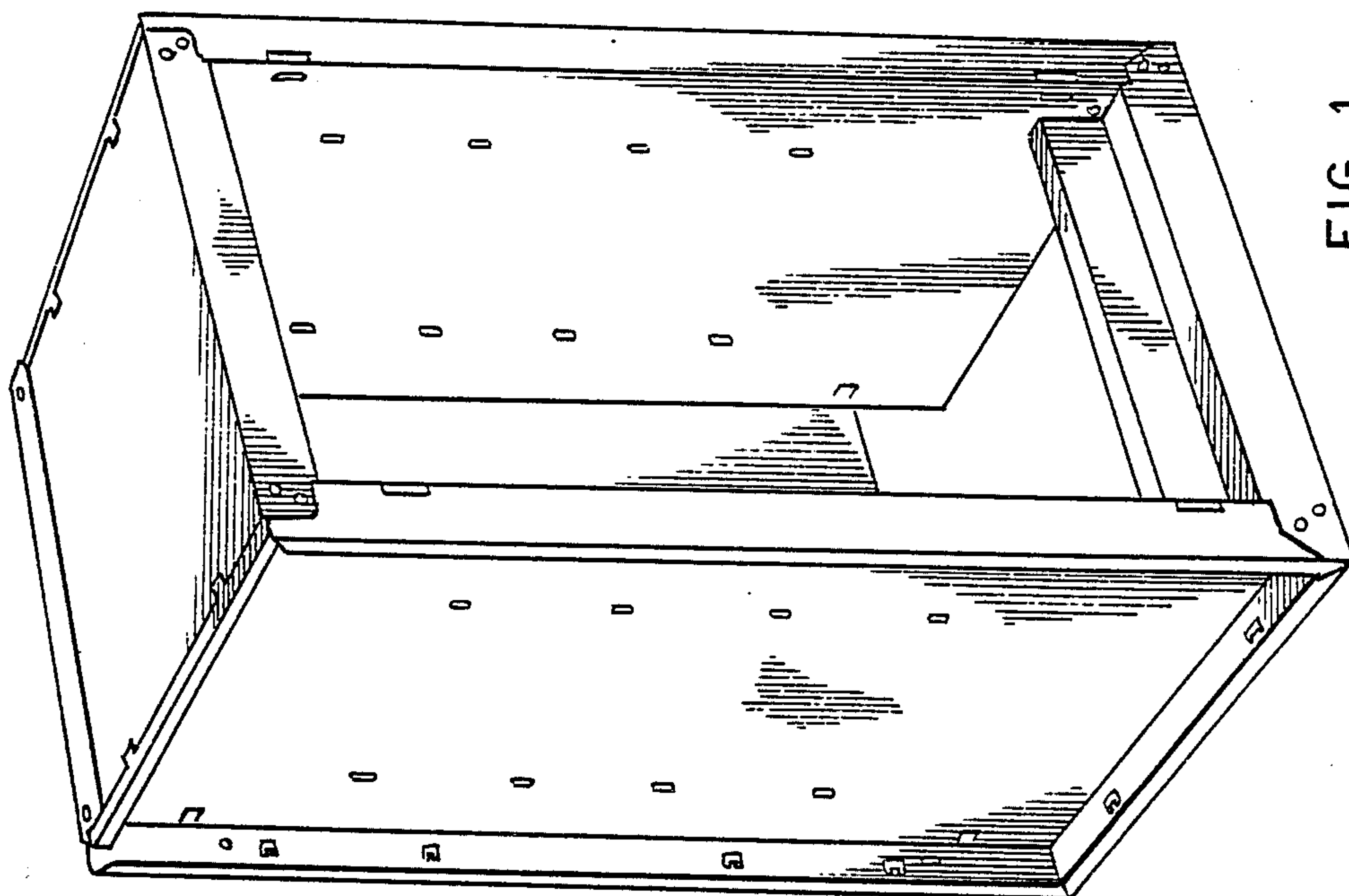


FIG. 1

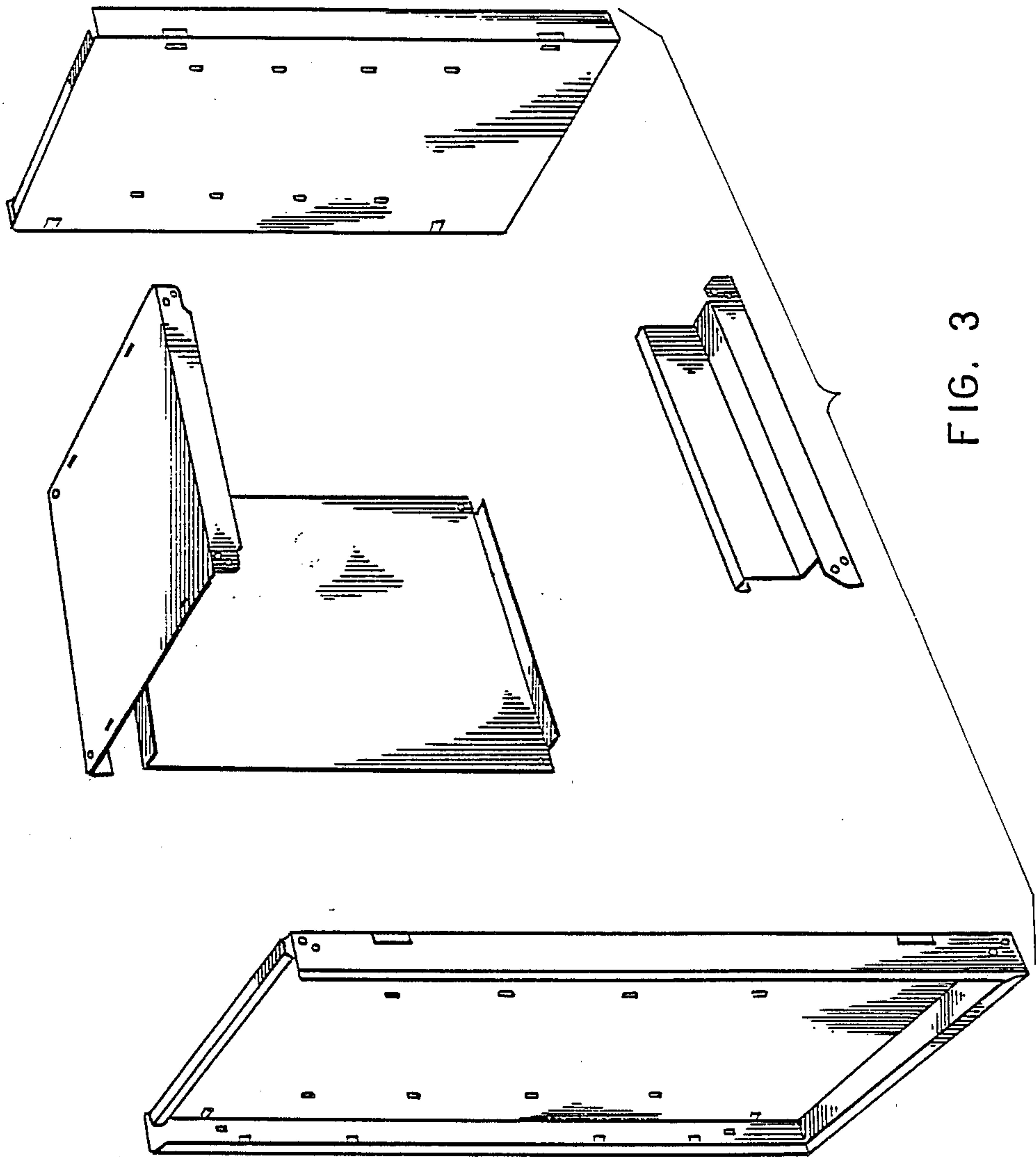


FIG. 3