

[54] LAUNDRY IRON

4,594,801 6/1986 Gronwick et al. 38/90
4,688,340 8/1987 Ostrelch 38/90

[75] Inventor: Pierre Paulin, Paris, France

Primary Examiner—Wallace R. Burke
Assistant Examiner—Brian N. Vinson
Attorney, Agent, or Firm—Young & Thompson

[73] Assignee: Calor S.A., Lyons, France

[**] Term: 14 Years

[21] Appl. No.: 890,899

[57] CLAIM

[22] Filed: Jul. 28, 1986

The ornamental design for a laundry iron, as shown and described.

[30] Foreign Application Priority Data

DESCRIPTION

Jan. 29, 1986 [FR] France 860.426

[52] U.S. Cl. D32/69

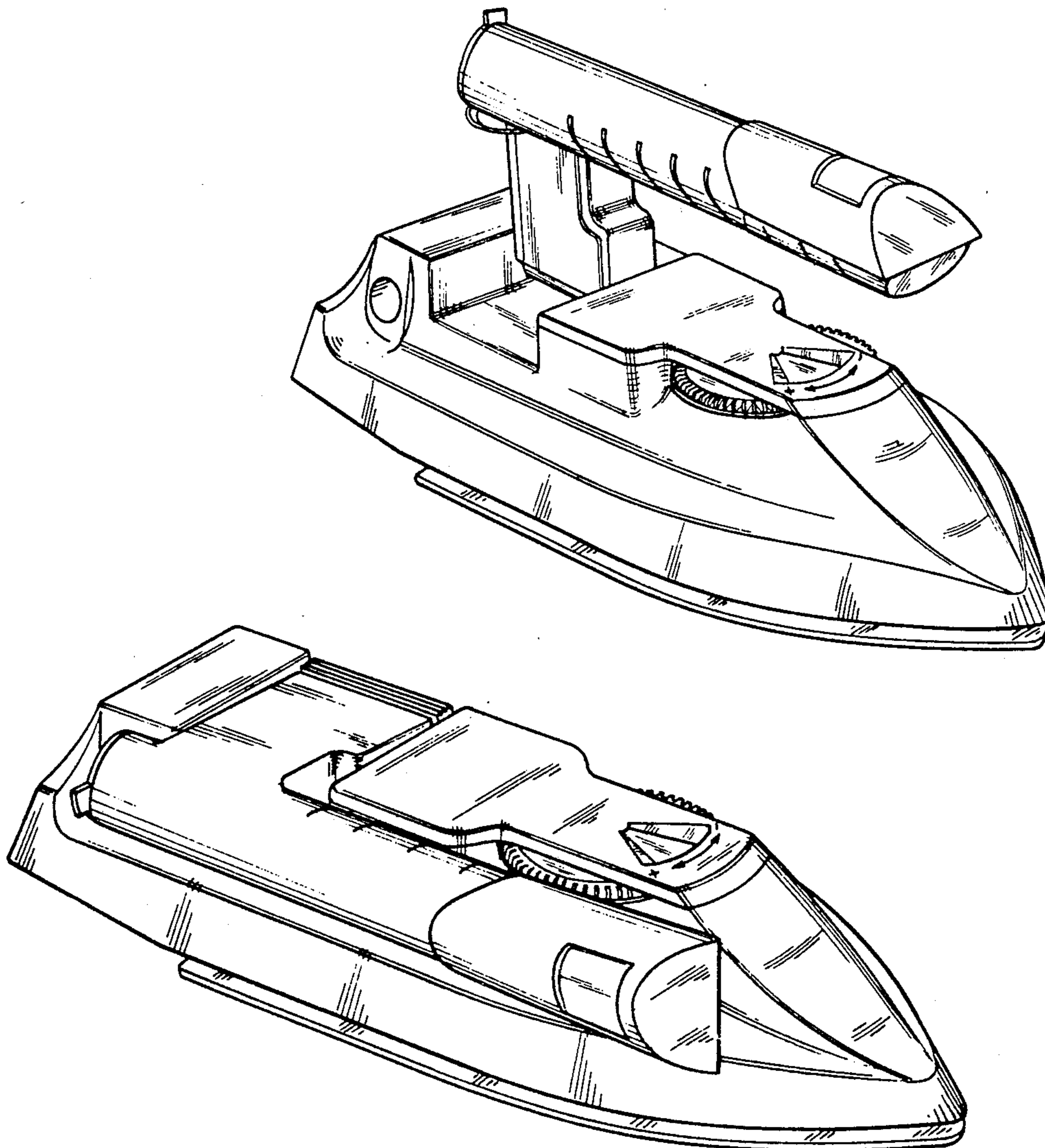
[58] Field of Search D32/68-73;
38/69, 74, 88; 219/245, 254, 271, 273, 275

FIG. 1 is a front elevational view of a laundry iron showing my new design;
FIG. 2 is a rear elevational view thereof;
FIG. 3 is a side elevational view thereof;
FIG. 4 is an opposite side elevational view thereof;
FIG. 5 is a top plan view thereof;
FIG. 6 is a bottom plan view thereof;
FIG. 7 is a perspective view thereof;
FIG. 8 is a top plan view thereof, showing the handle portion collapsed; and
FIG. 9 is a perspective view thereof, showing the handle portion collapsed.

[56] References Cited

U.S. PATENT DOCUMENTS

- D. 167,776 9/1952 Spencer et al. D32/69
- D. 283,934 6/1986 Tsuji D32/69
- D. 286,095 10/1986 Van Aston D32/69
- D. 292,536 10/1987 Tsuji D32/69
- D. 293,952 1/1988 Hsu D32/69



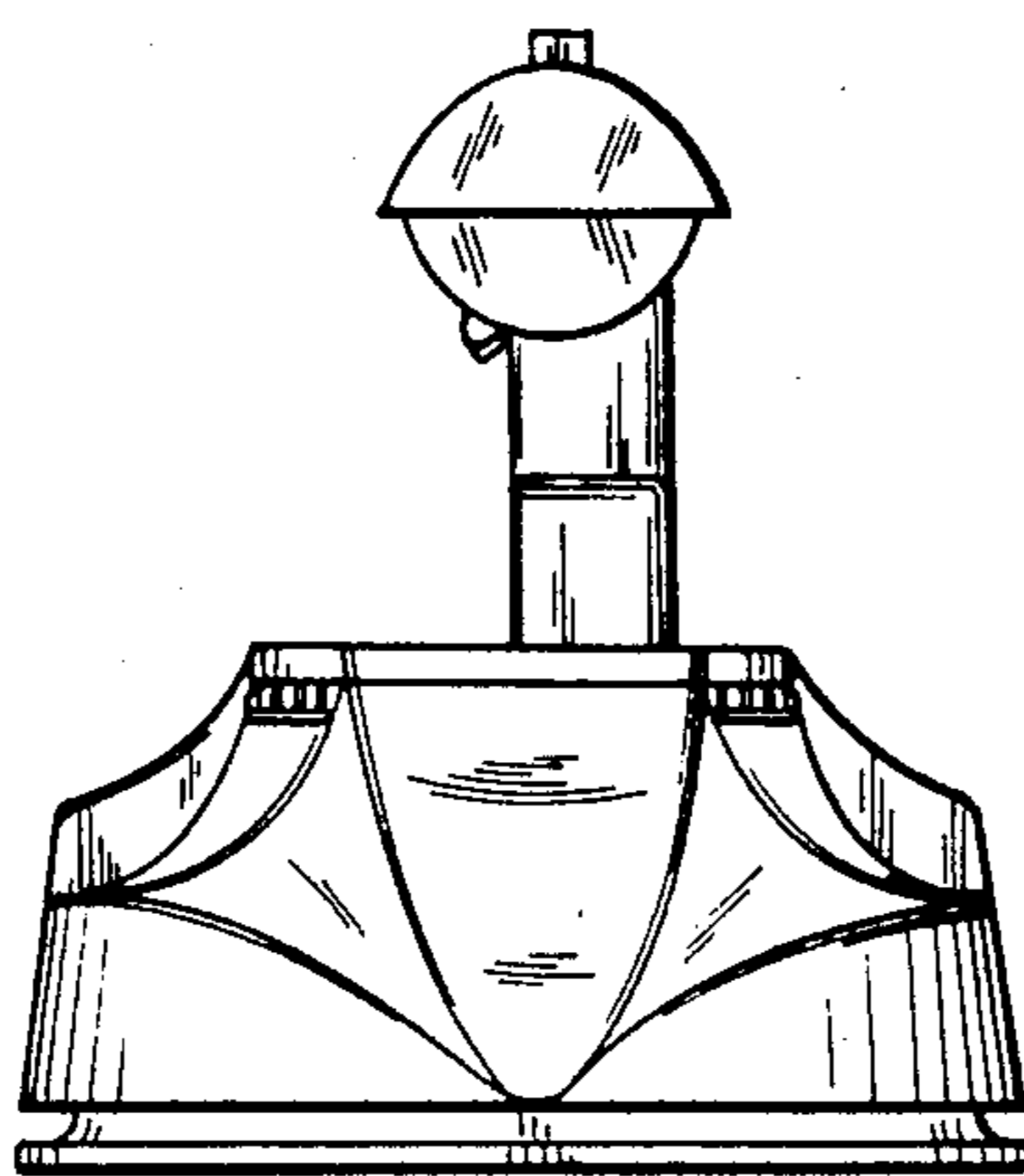


FIG. 1

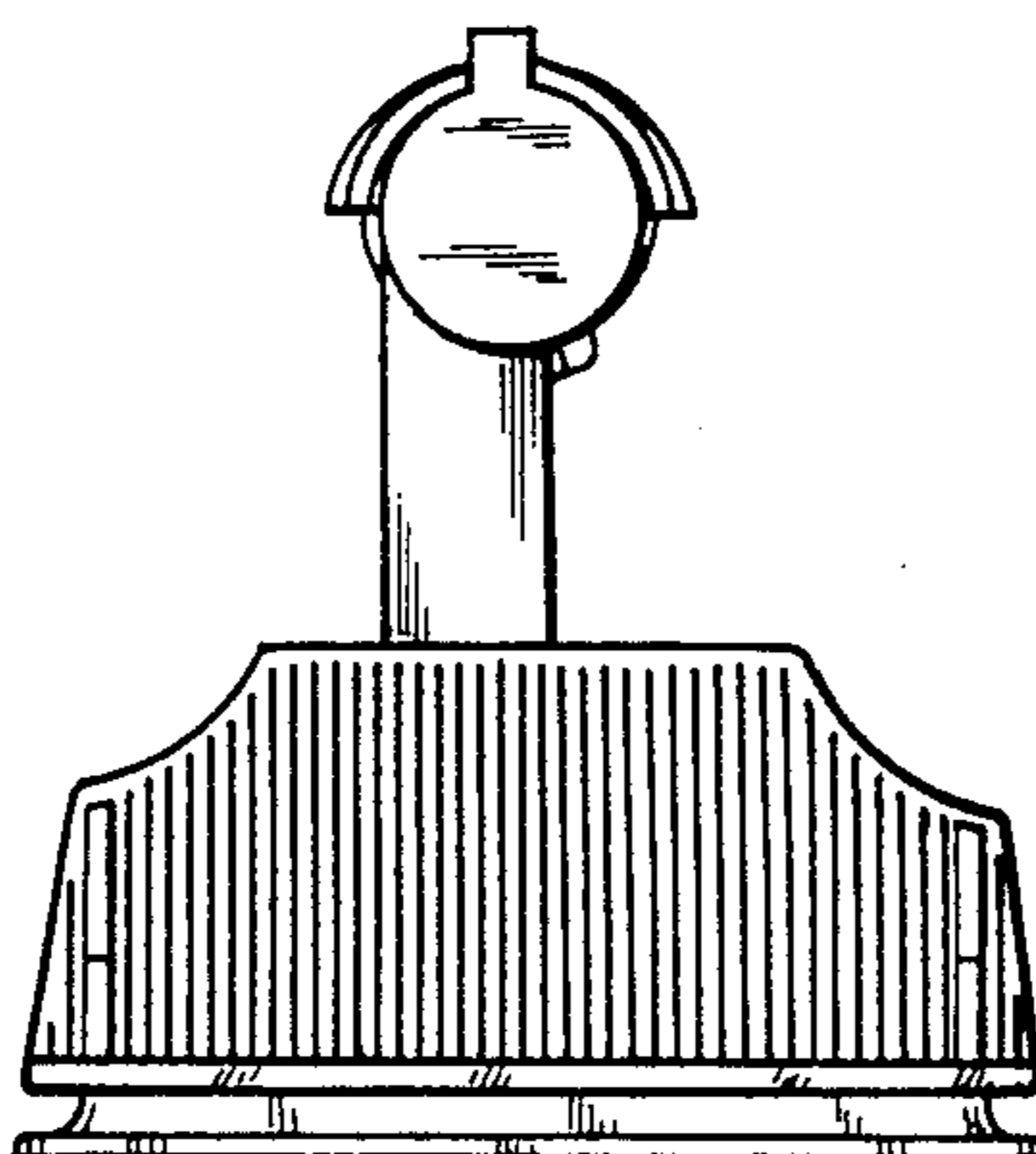


FIG. 2

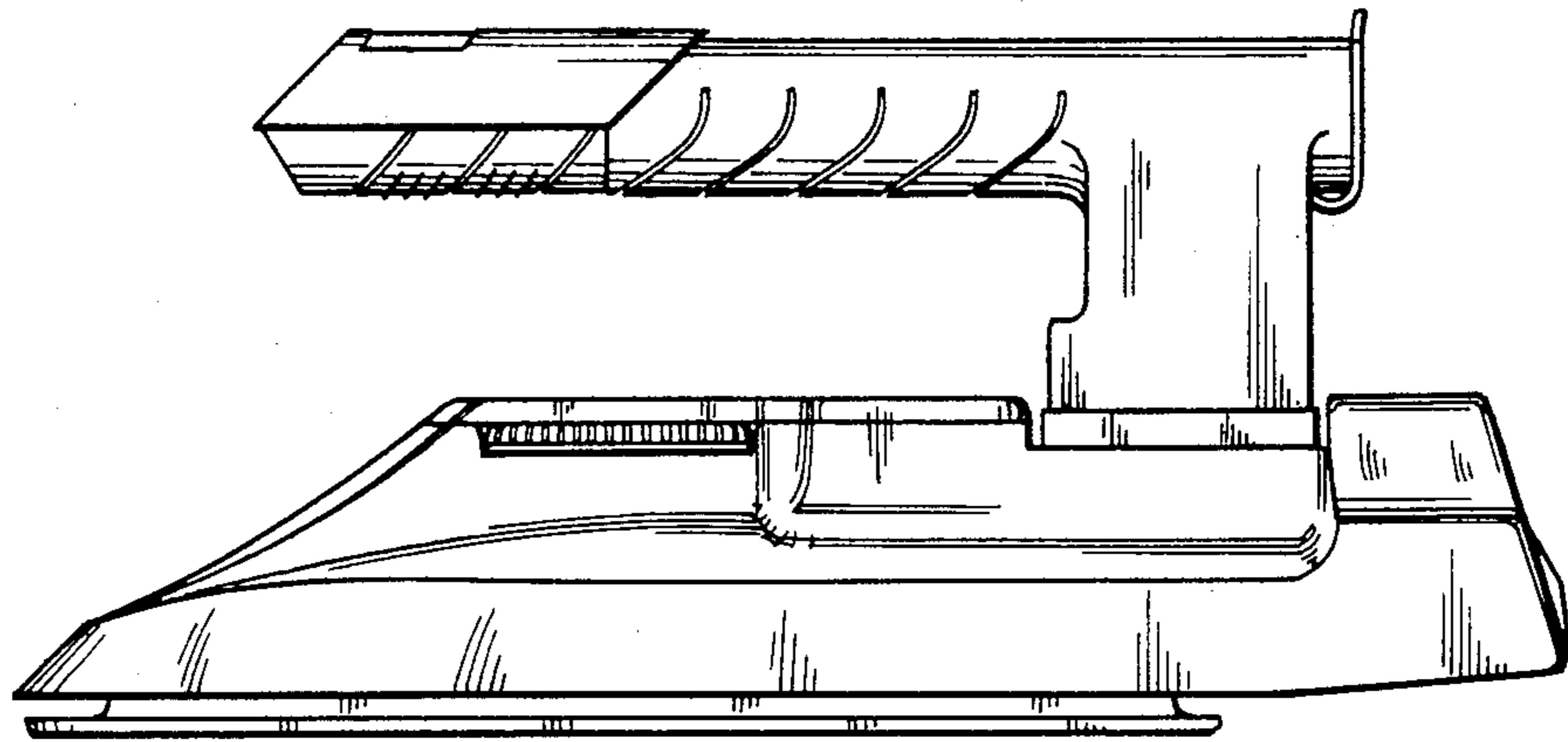


FIG. 3

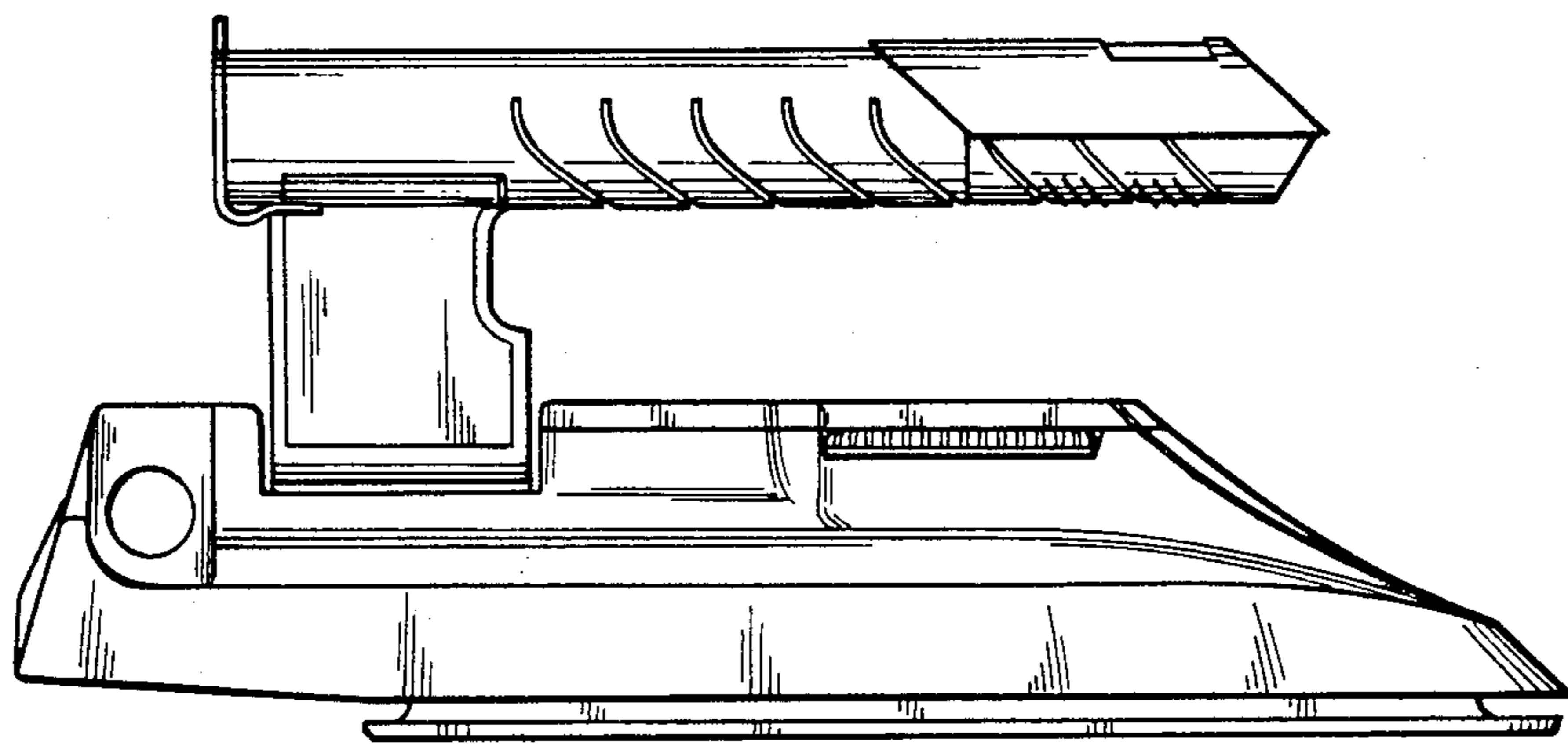


FIG. 4

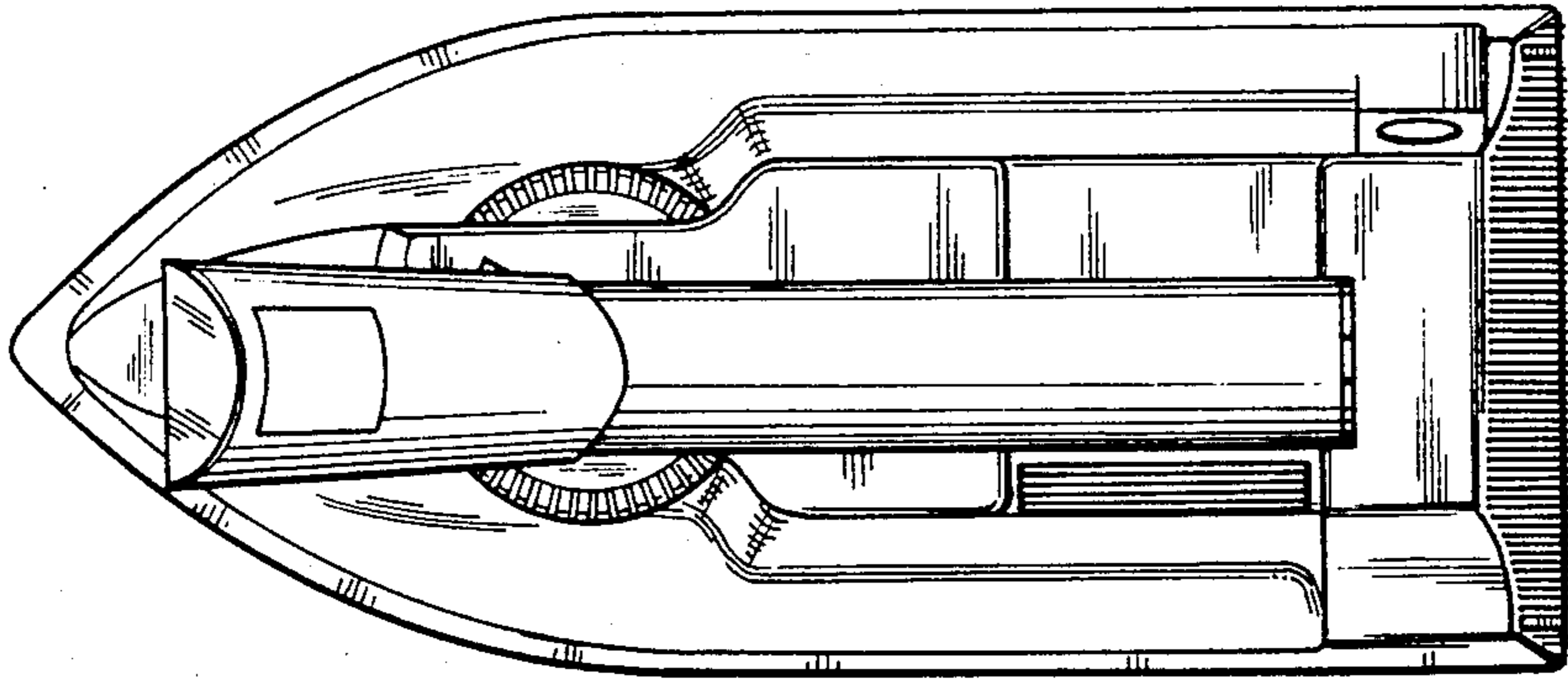


FIG. 5

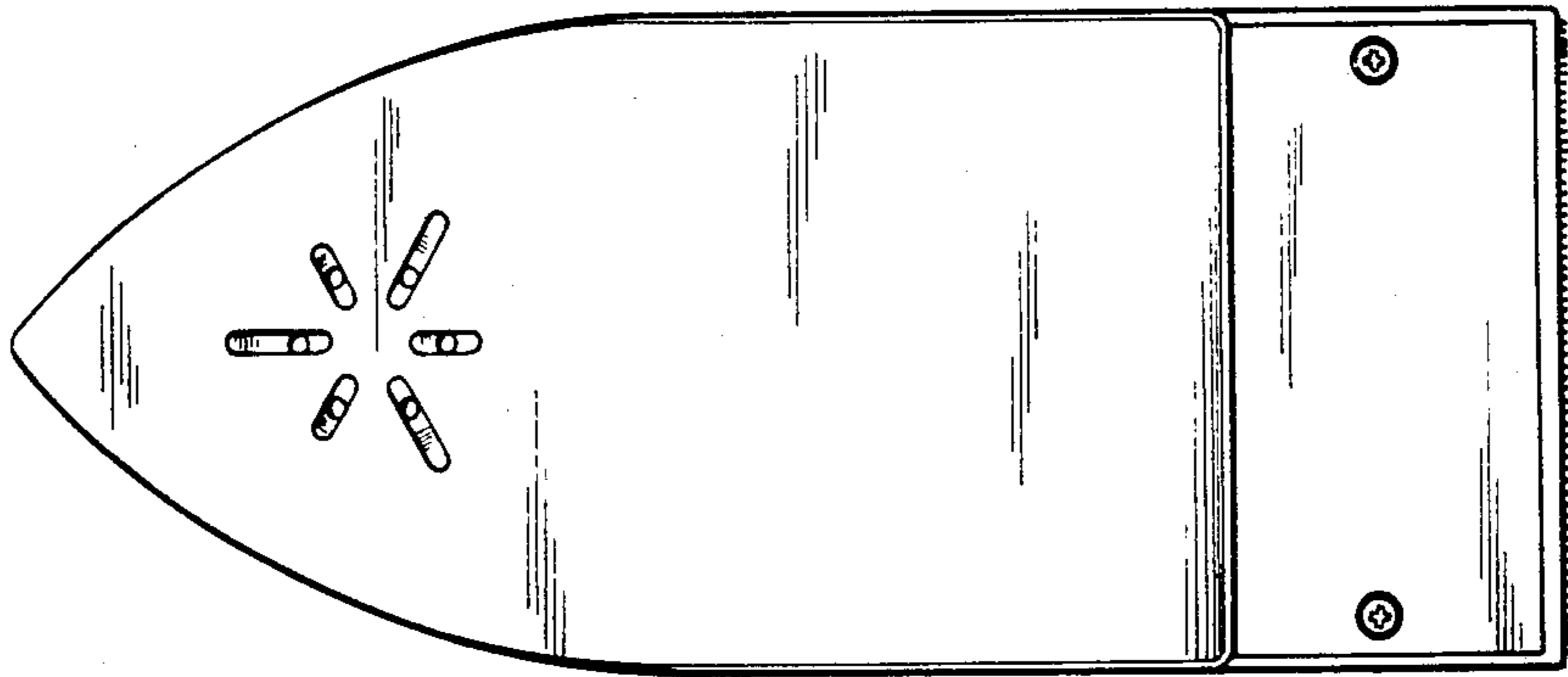


FIG. 6

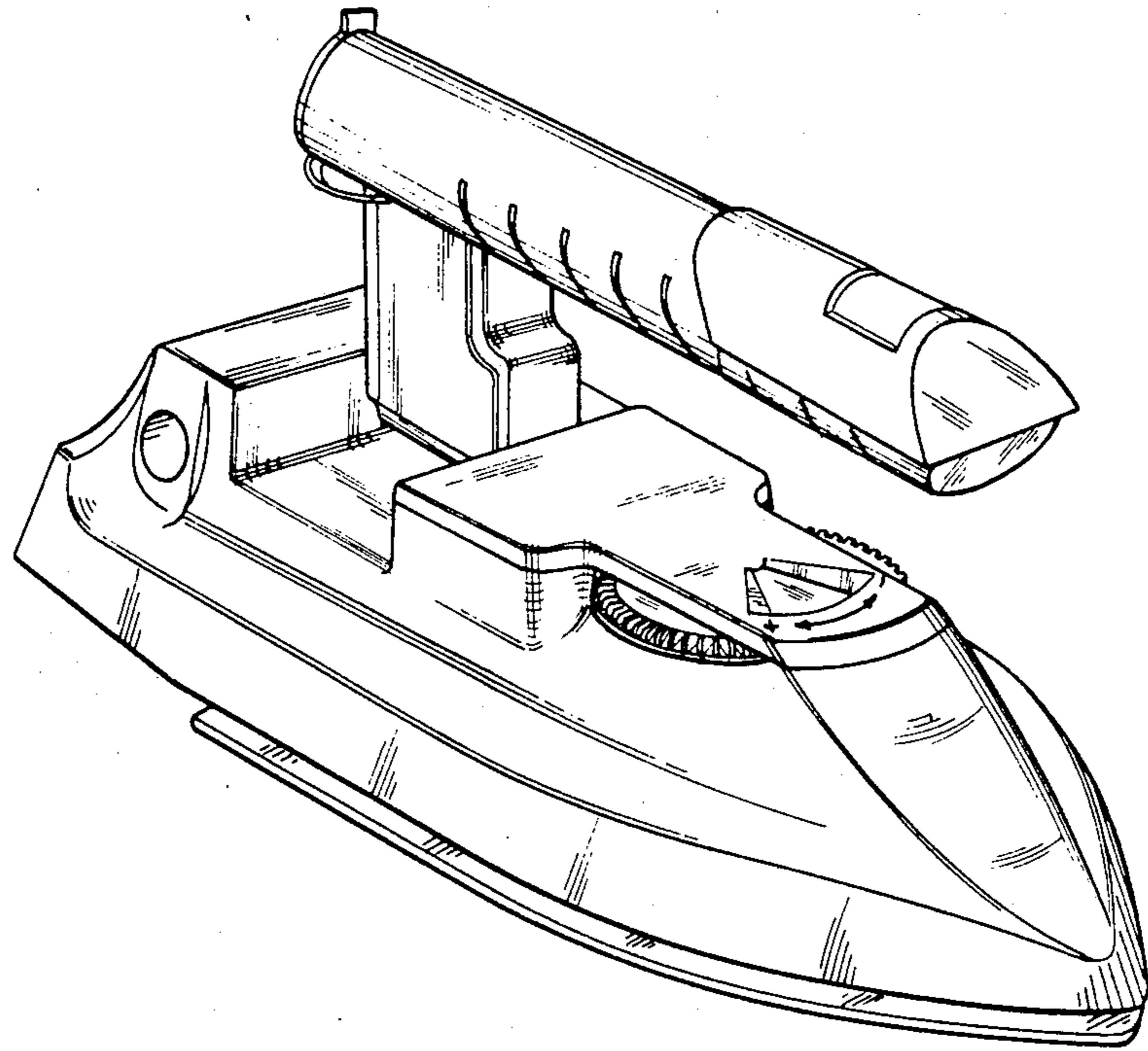


FIG. 7

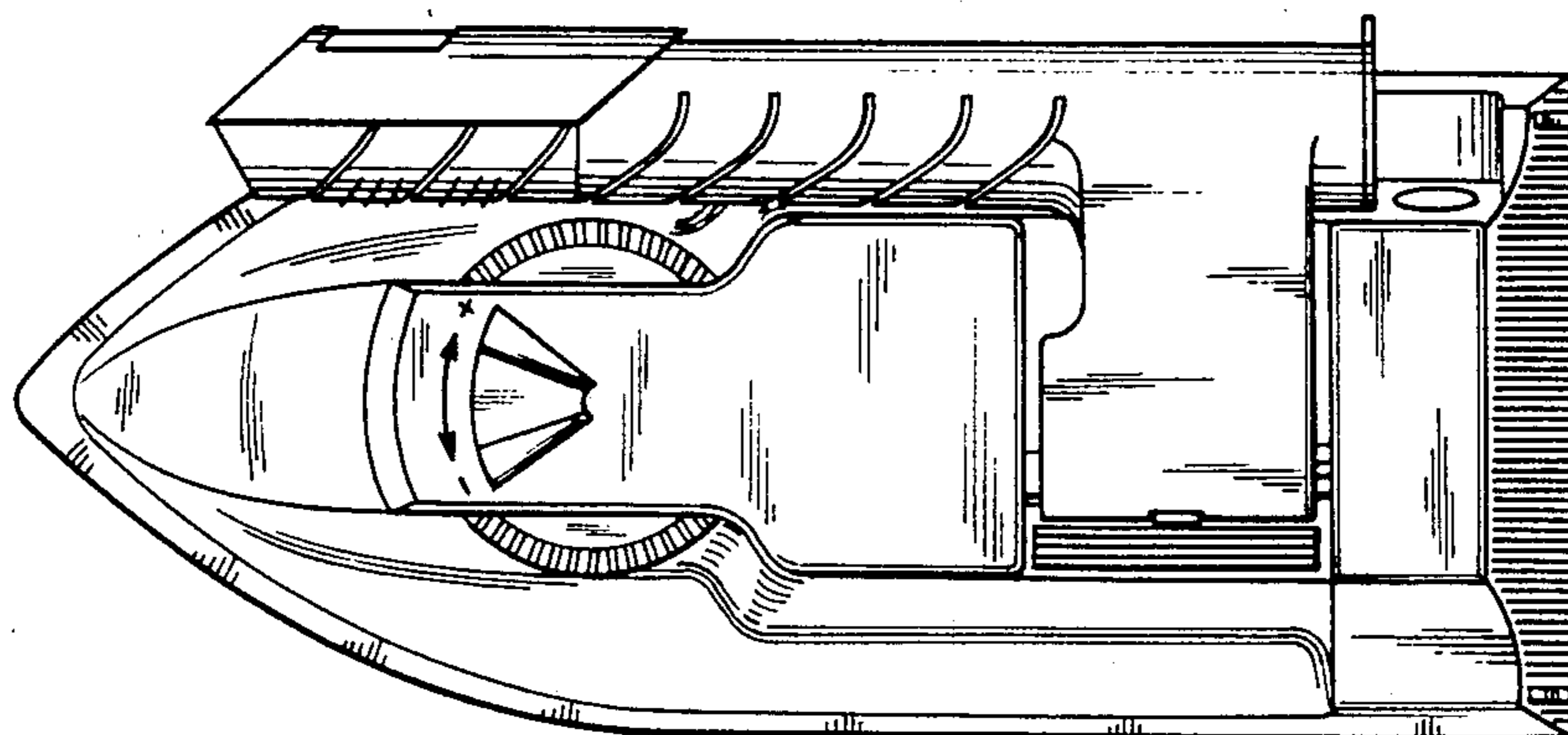


FIG. 8

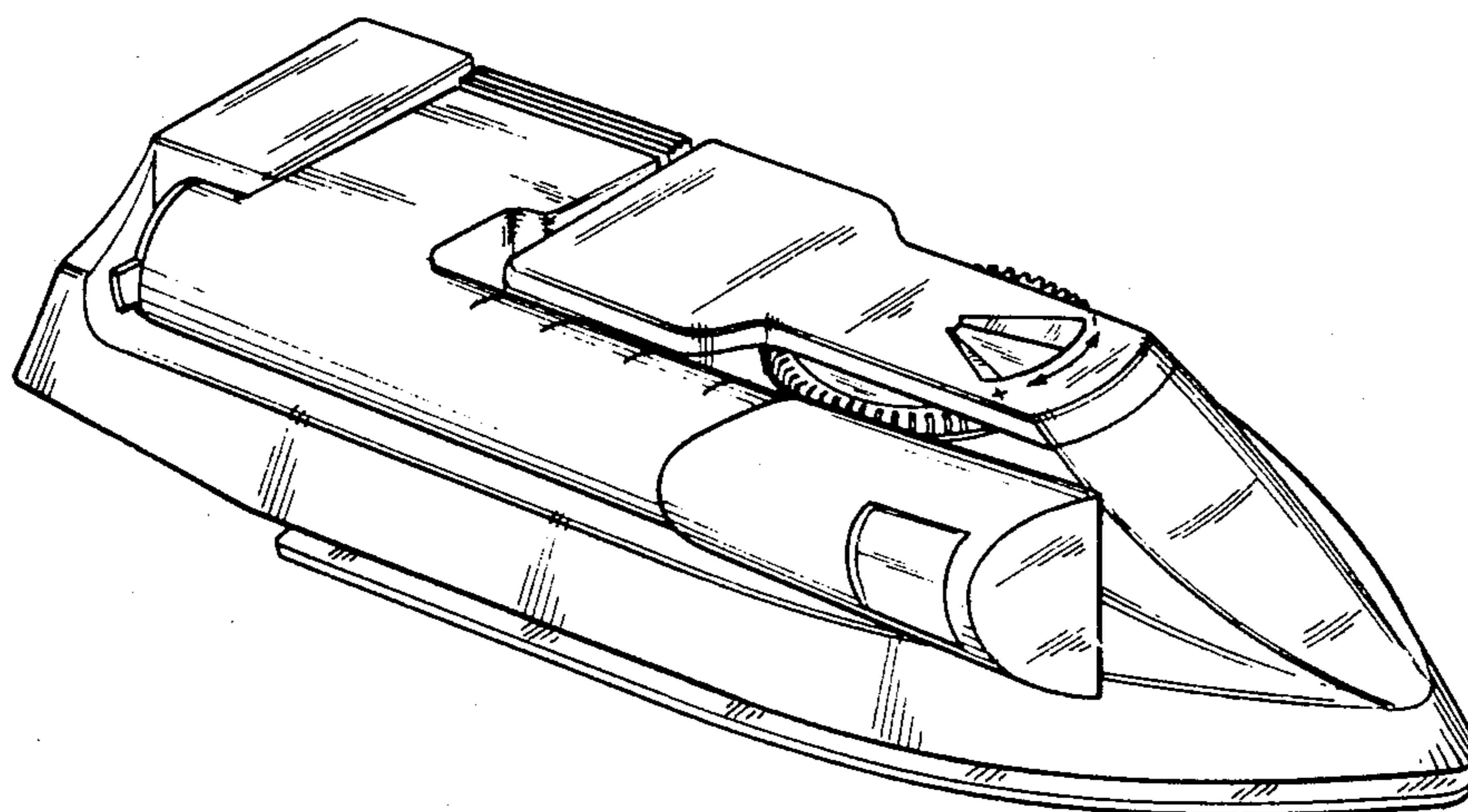


FIG. 9