

[54] ANIMAL DRINKING FOUNTAIN

[76] Inventor: William G. Terbush, 9805 Hillcrest Dr., Oklahoma City, Okla. 73159

[**] Term: 14 Years

[21] Appl. No.: 216,190

[22] Filed: Jul. 7, 1988

[52] U.S. Cl. D30/130

[58] Field of Search D30/121-133; 119/72, 72.5, 75

| | | | |
|-----------|---------|--------------------|------------|
| 3,648,663 | 3/1972 | Kofford | 119/72.5 X |
| 3,661,122 | 5/1972 | Willauer, Jr. | 119/72 |
| 3,868,926 | 3/1975 | Olde | 119/75 |
| 4,307,682 | 12/1981 | Ballmon | 119/75 |

Primary Examiner—James R. Largen
Attorney, Agent, or Firm—Bill D. McCarthy

[57] CLAIM

The ornamental design for a animal drinking fountain, as shown and described.

DESCRIPTION

FIG. 1 is a front elevational view of an animal drinking fountain showing my new design, the rear being the same as the front side shown;

FIG. 2 is a side elevational view thereof, the opposite side being the same as the side shown;

FIG. 3 is a top plan view thereof;

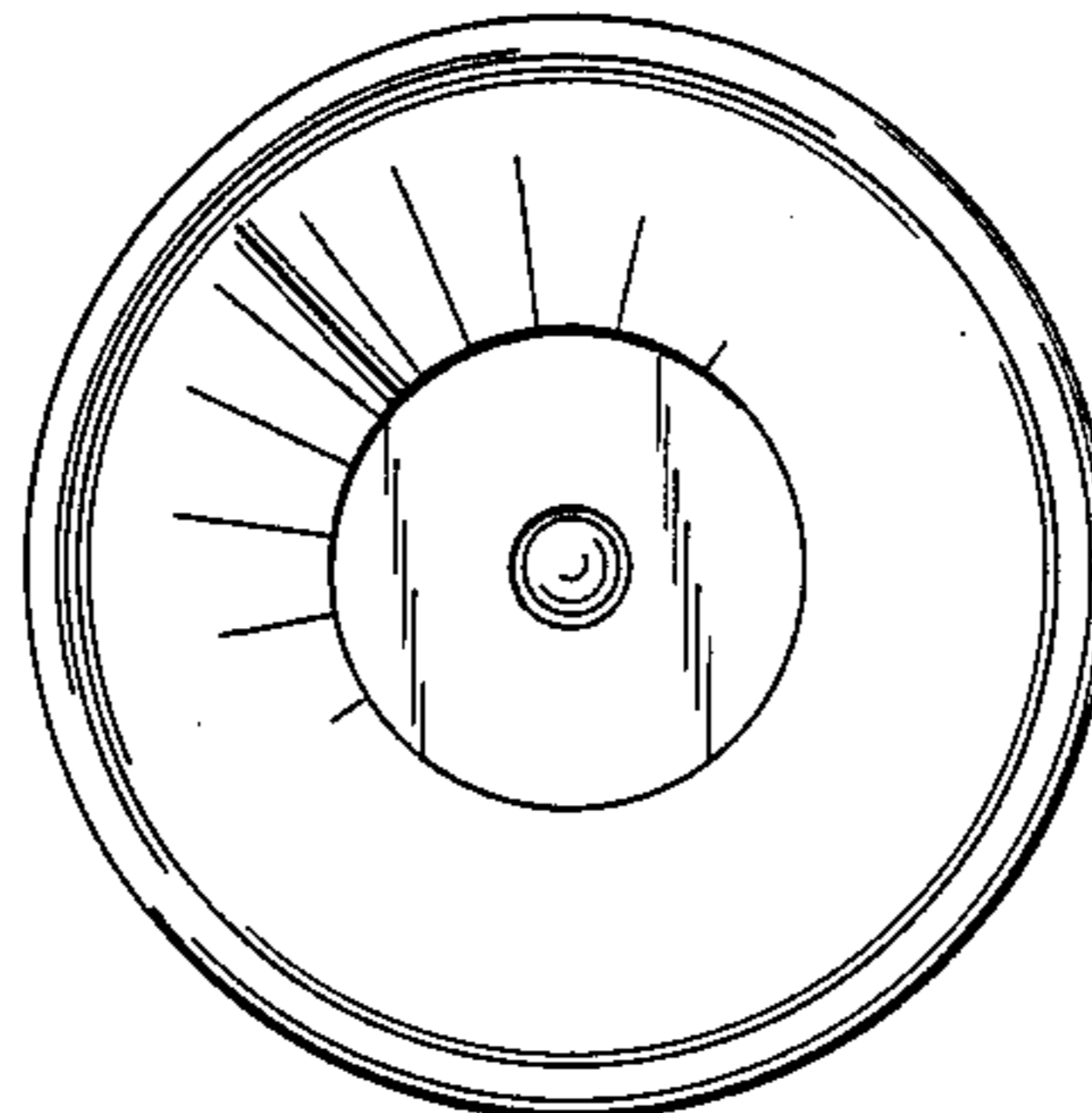
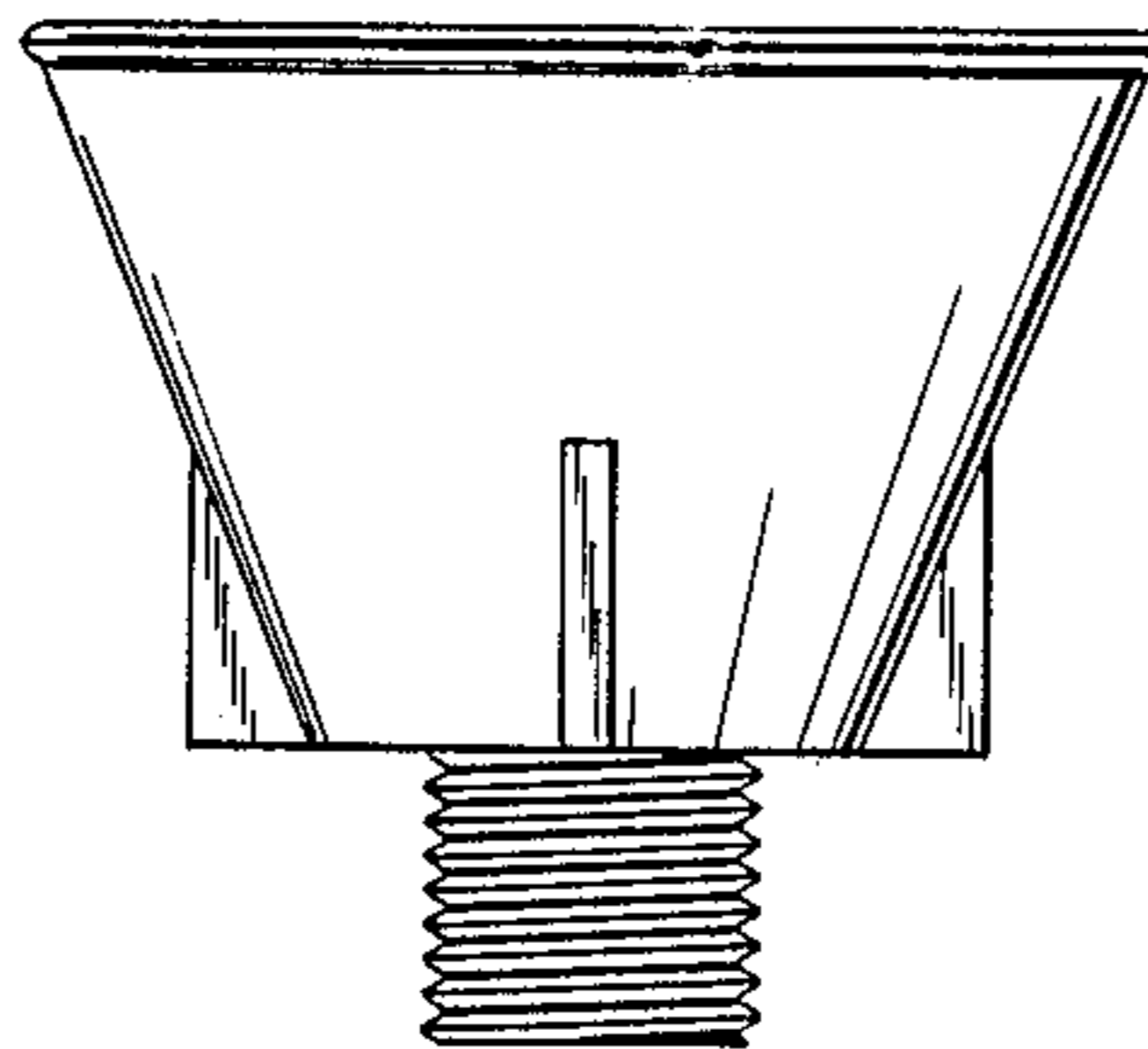
FIG. 4 is a bottom plan view thereof; and

FIG. 5 is a partial cutaway side elevational view thereof.

[56] References Cited

U.S. PATENT DOCUMENTS

| | | | |
|------------|---------|-----------------|----------|
| D. 218,979 | 10/1970 | Kofford | D30/132 |
| D. 250,422 | 11/1978 | Mallinson | D30/132 |
| 2,525,453 | 10/1950 | Hankin | 119/72 |
| 2,749,882 | 6/1956 | Butker | 119/74 |
| 2,921,556 | 1/1960 | Nilsen | 119/72.5 |
| 3,563,207 | 2/1971 | Kofford | 119/75 |
| 3,582,006 | 6/1971 | Thompson | 119/72.5 |



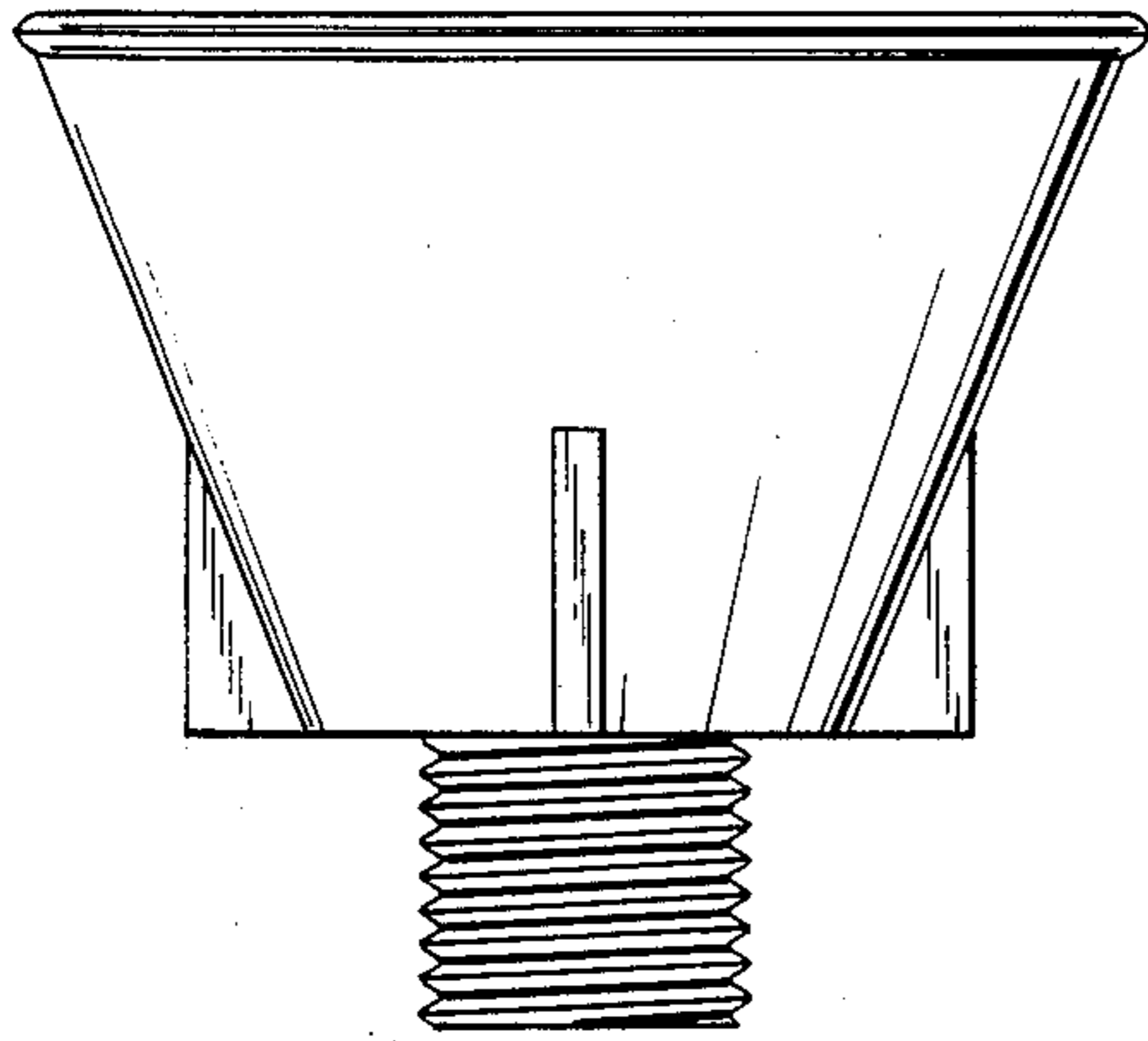


FIG. 1

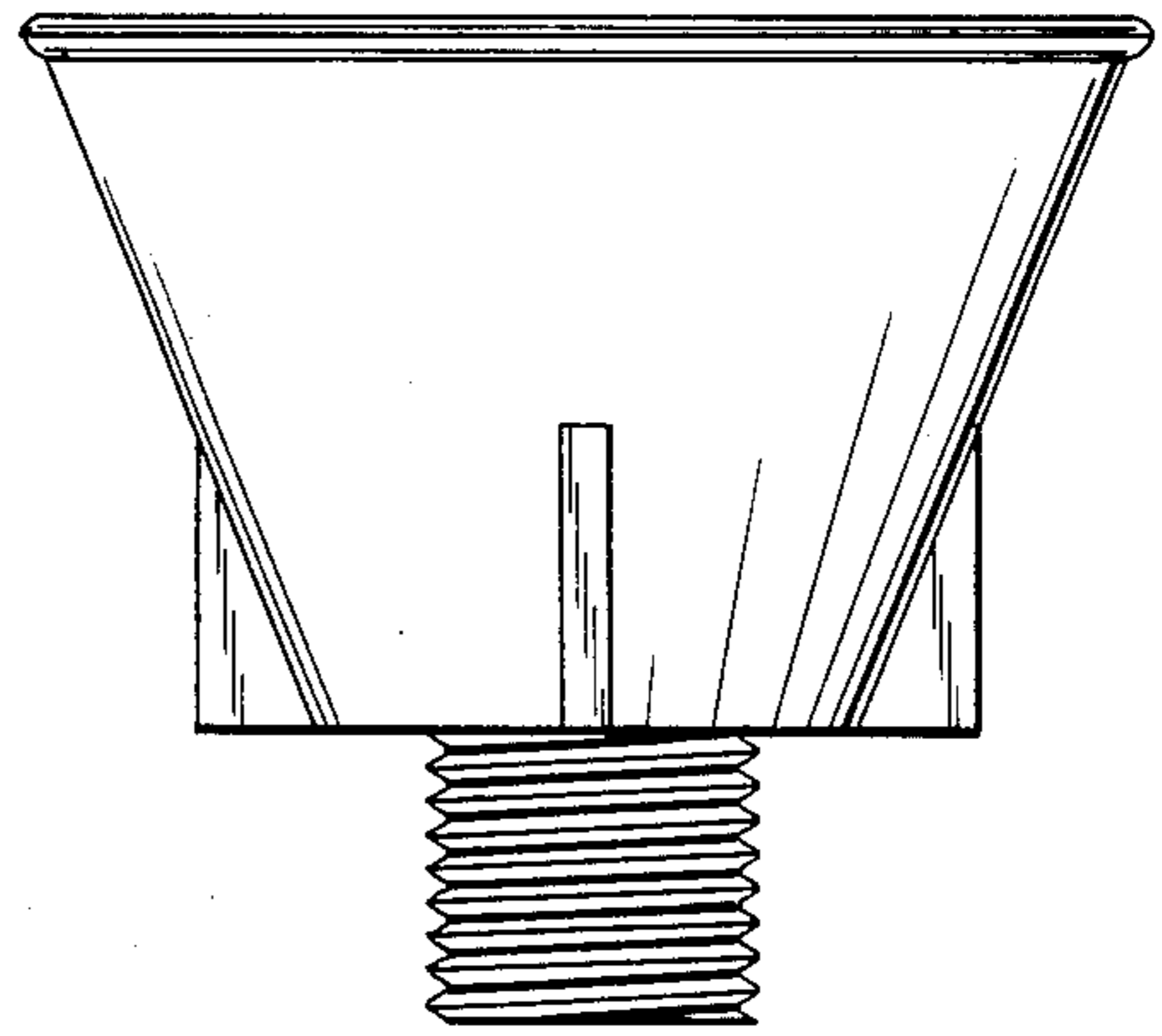


FIG. 2

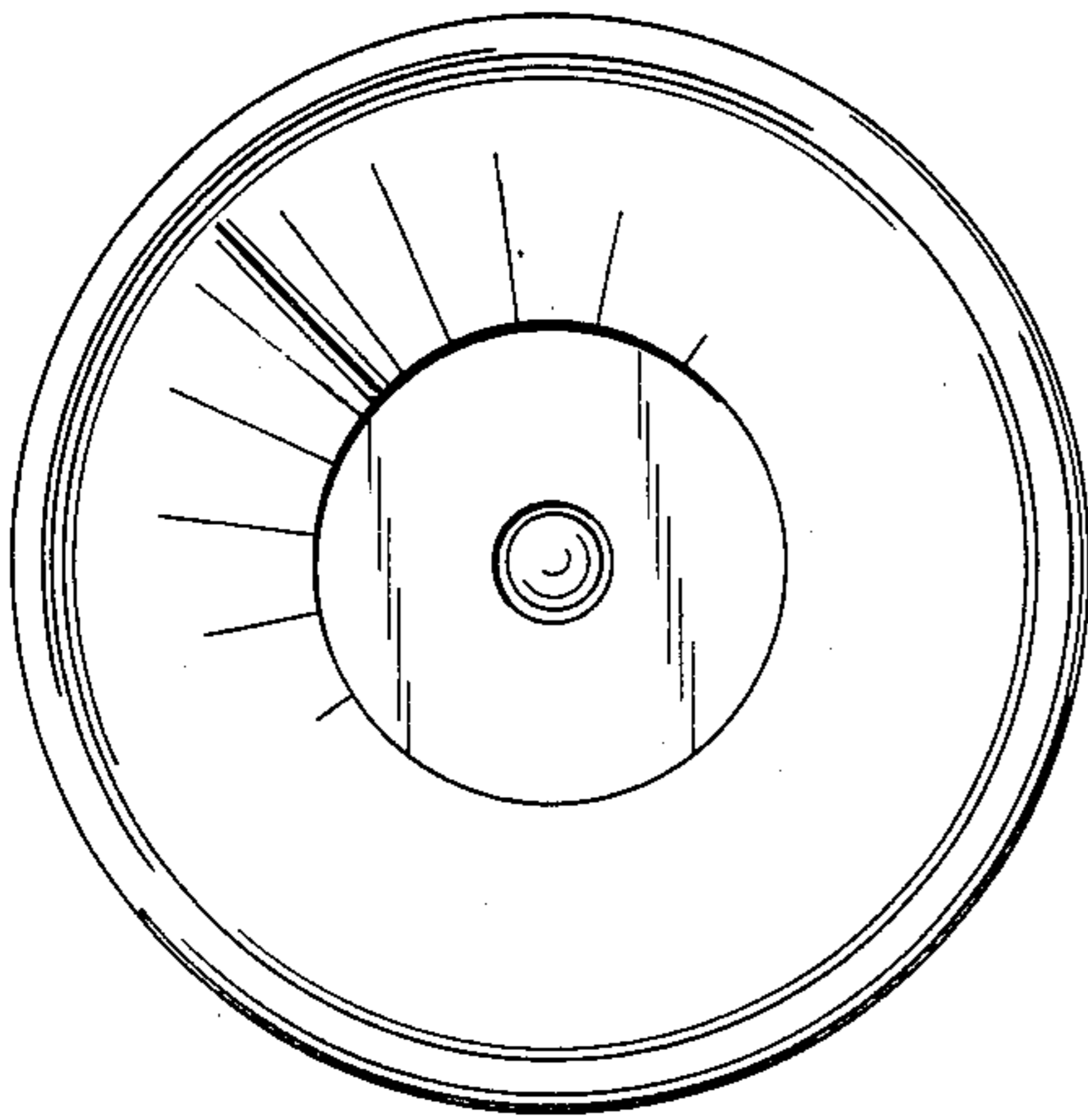


FIG. 3

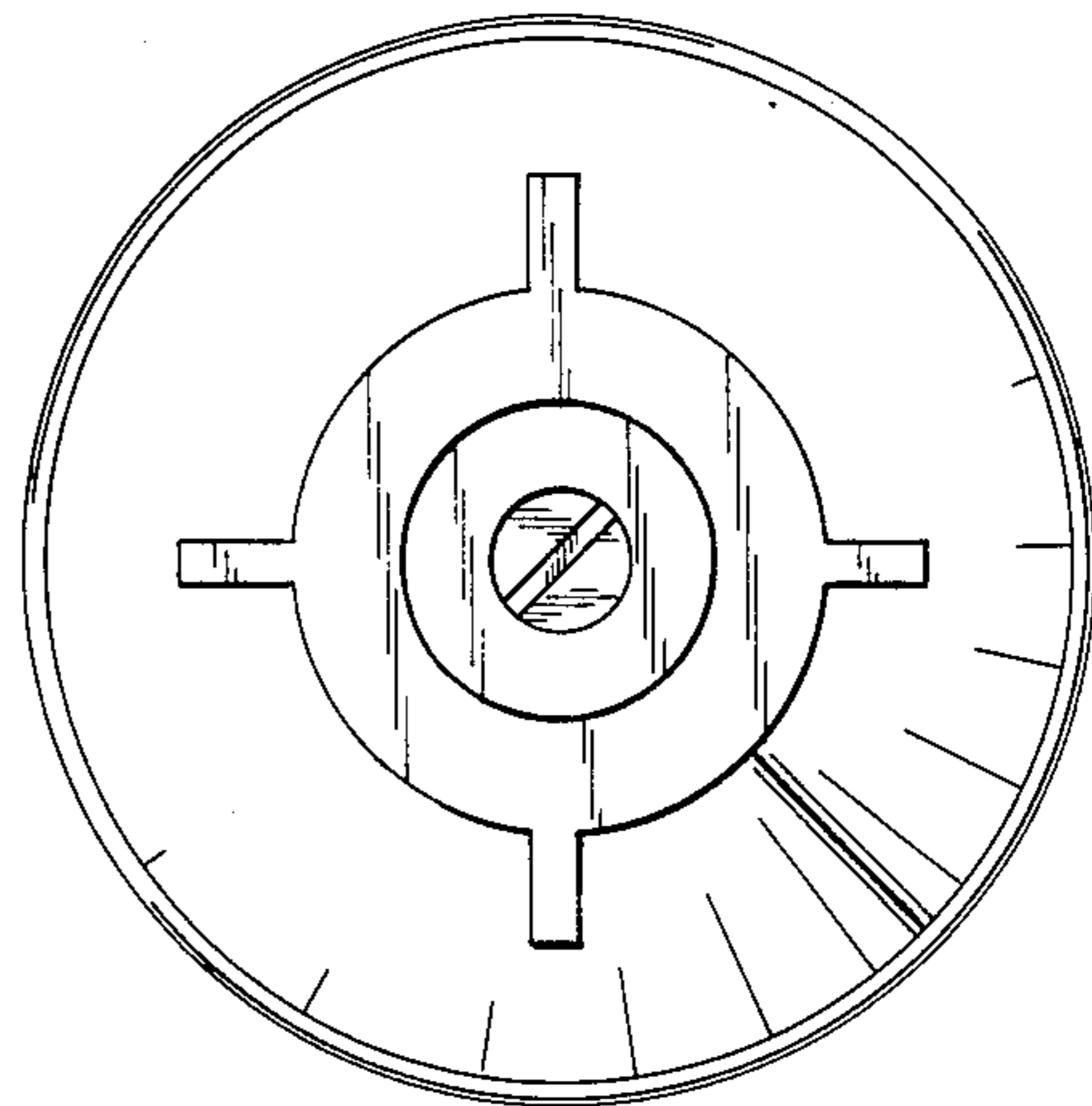


FIG. 4

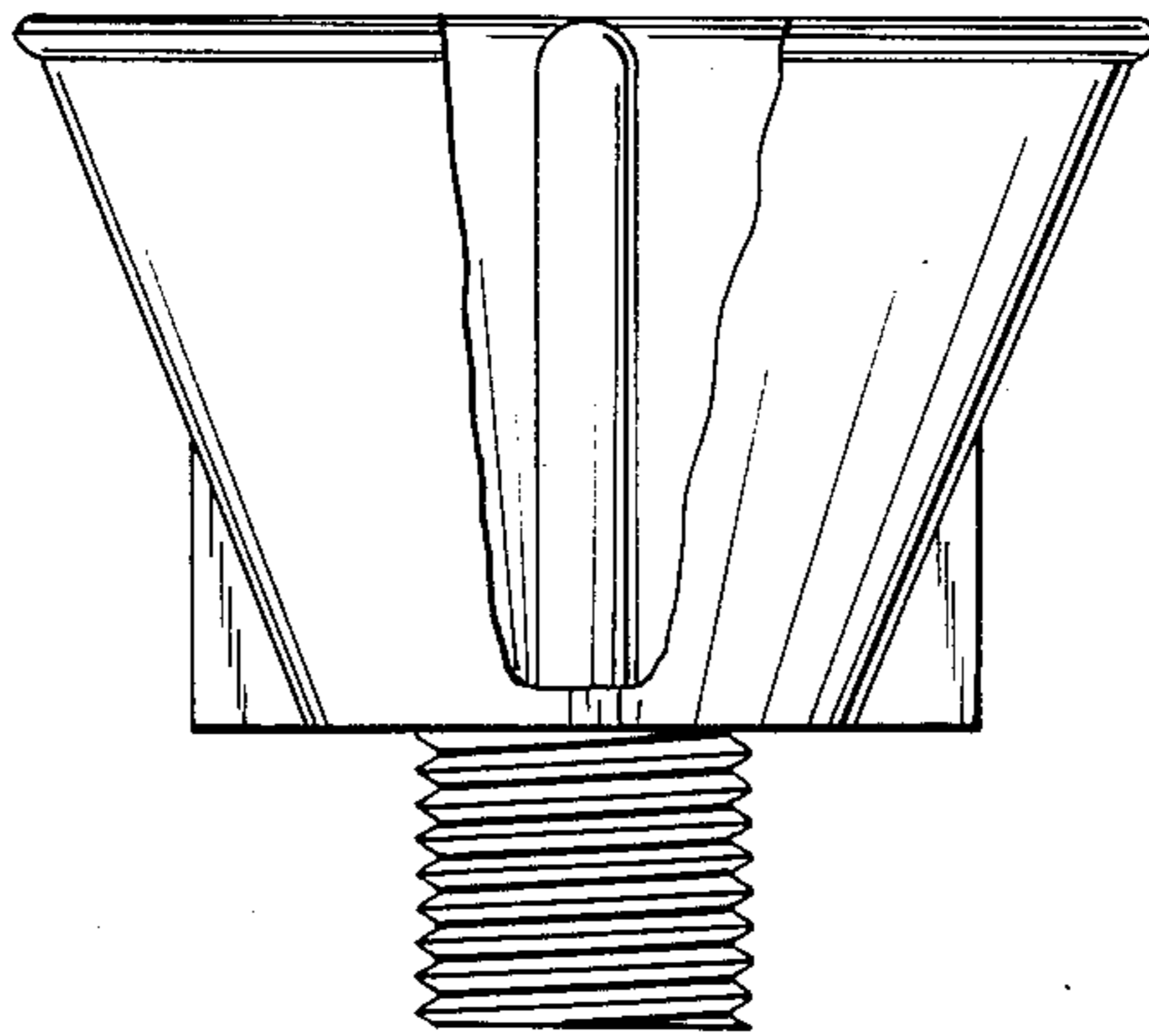


FIG. 5