

[54] HEADWORN IMAGING UNIT WITH VISOR

2,234,995 3/1941 Waechter D26/39
3,919,475 11/1975 Dukich et al. 358/229
4,621,283 11/1986 Feinbloom D26/39

[75] Inventor: Joseph T. Sestak, Erie, Pa.

[73] Assignee: American Sterilizer Company, Erie, Pa.

[**] Term: 14 Years

[21] Appl. No.: 805,080

[22] Filed: Nov. 15, 1985

[52] U.S. Cl. D29/18

[58] Field of Search D29/10, 12, 13, 14,
D29/15, 16, 18; 2/9, 15; 358/209, 229, 103, 104;
D16/102, 103; D26/39, 38, 37; D24/18; 128/76

R

[56] References Cited

U.S. PATENT DOCUMENTS

- D. 181,846 1/1958 Furrer et al. D29/14
- D. 215,684 10/1969 Fisher D29/14
- D. 229,975 1/1974 Klugmann D16/103
- D. 238,119 12/1975 Rhee D29/14
- D. 238,958 2/1976 Feinbloom D26/39
- D. 266,192 9/1982 Feinbloom et al. D26/39

OTHER PUBLICATIONS

Montgomery Ward S&S 1983, p. 494; Slip-On Binocular Magnifier Item #B, second from top on the left.

Primary Examiner—Carmen H. Vales

Attorney, Agent, or Firm—Kirkpatrick & Lockhart

[57] CLAIM

The ornamental design for a headworn imaging unit with visor, substantially as shown and described.

DESCRIPTION

FIG. 1 is a perspective view of a headworn imaging unit with visor showing my new design, the broken lines indicate environmental structure and form no part of the claimed design;

FIG. 2 is a right side elevational view thereof;

FIG. 3 is a top plan view thereof;

FIG. 4 is a front elevational view thereof;

FIG. 5 is a rear elevational view thereof;

FIG. 6 is a left side elevational view thereof; and,

FIG. 7 is a bottom plan view thereof.

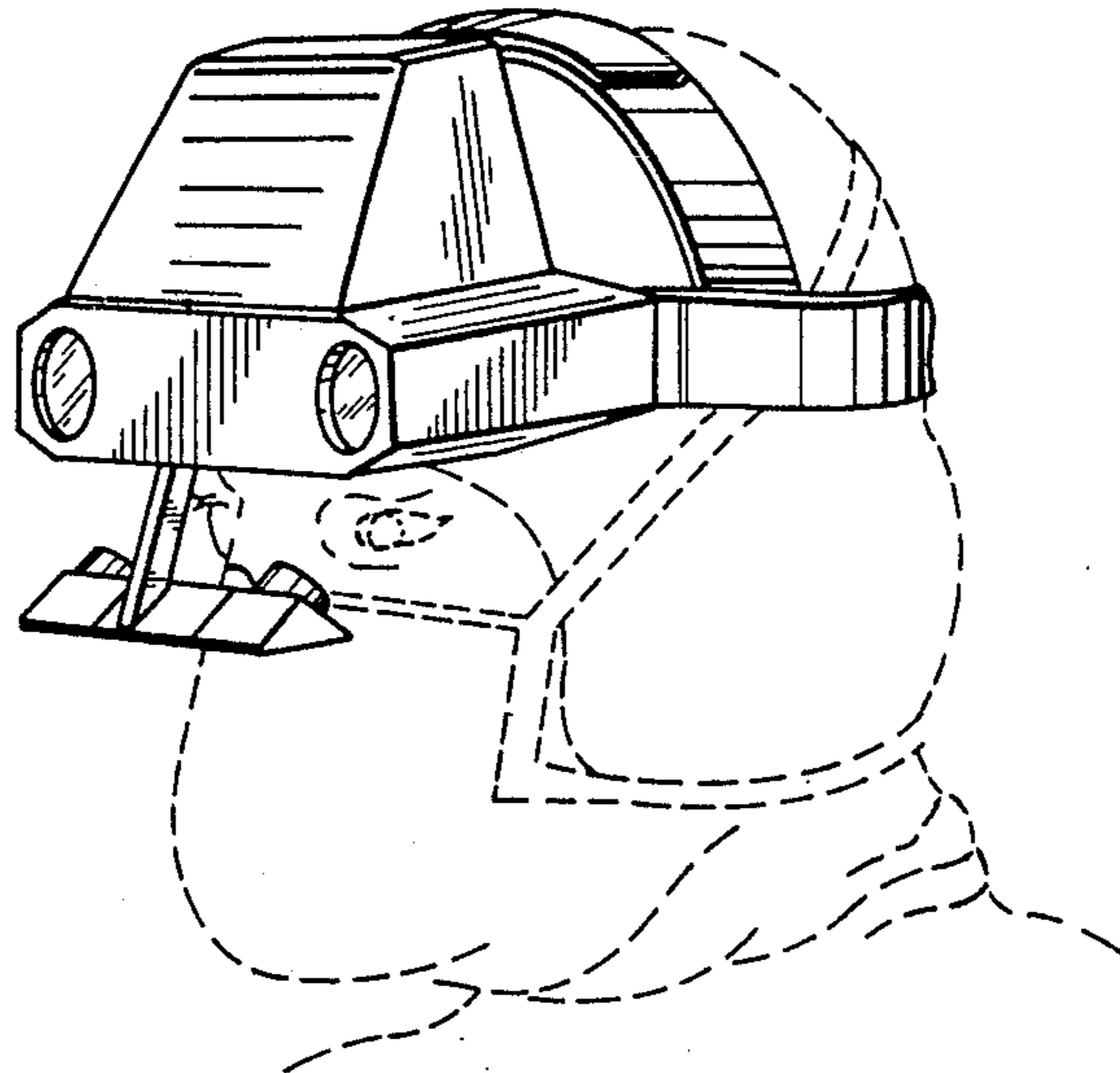


FIG. 1

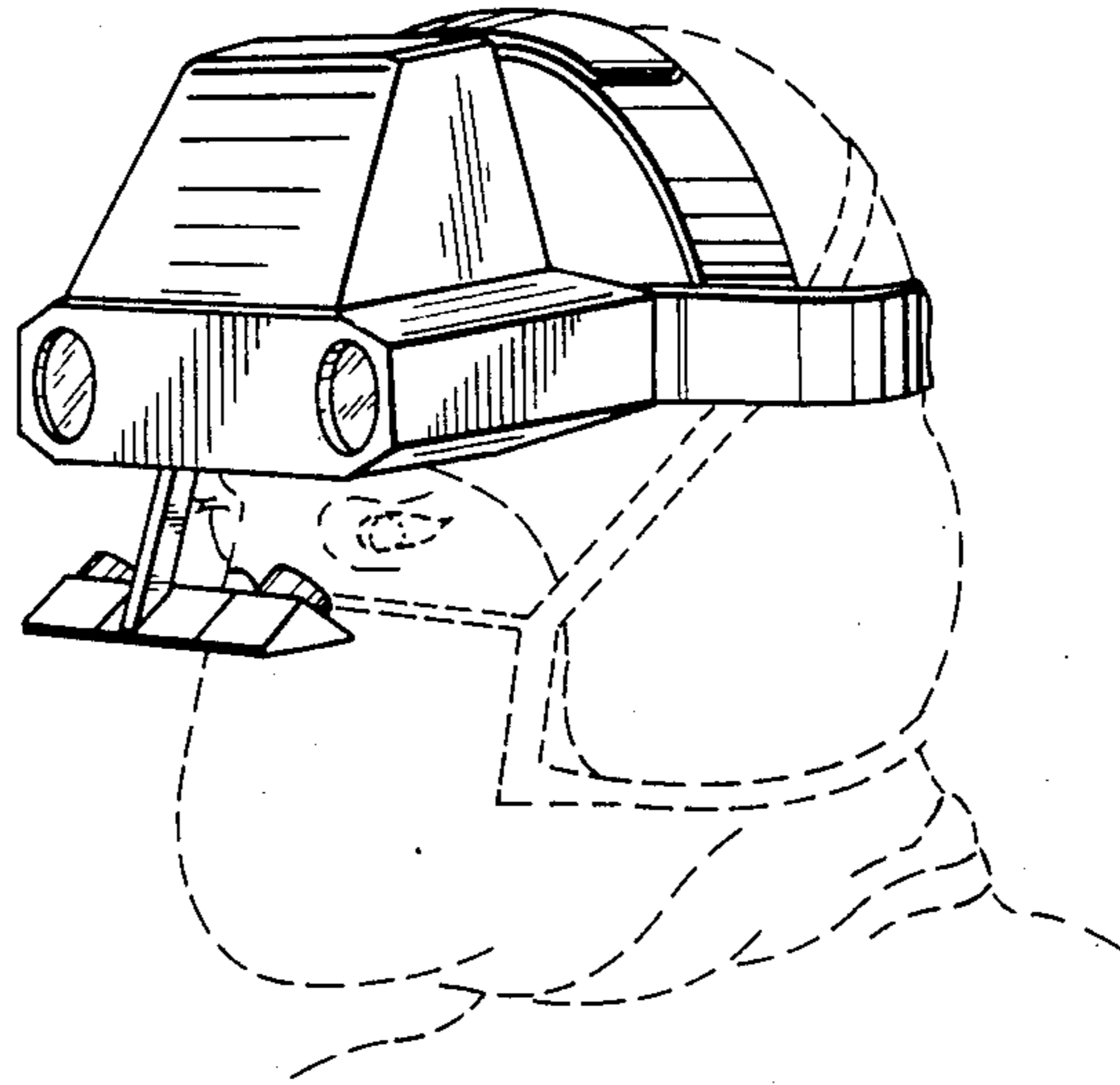


FIG. 2

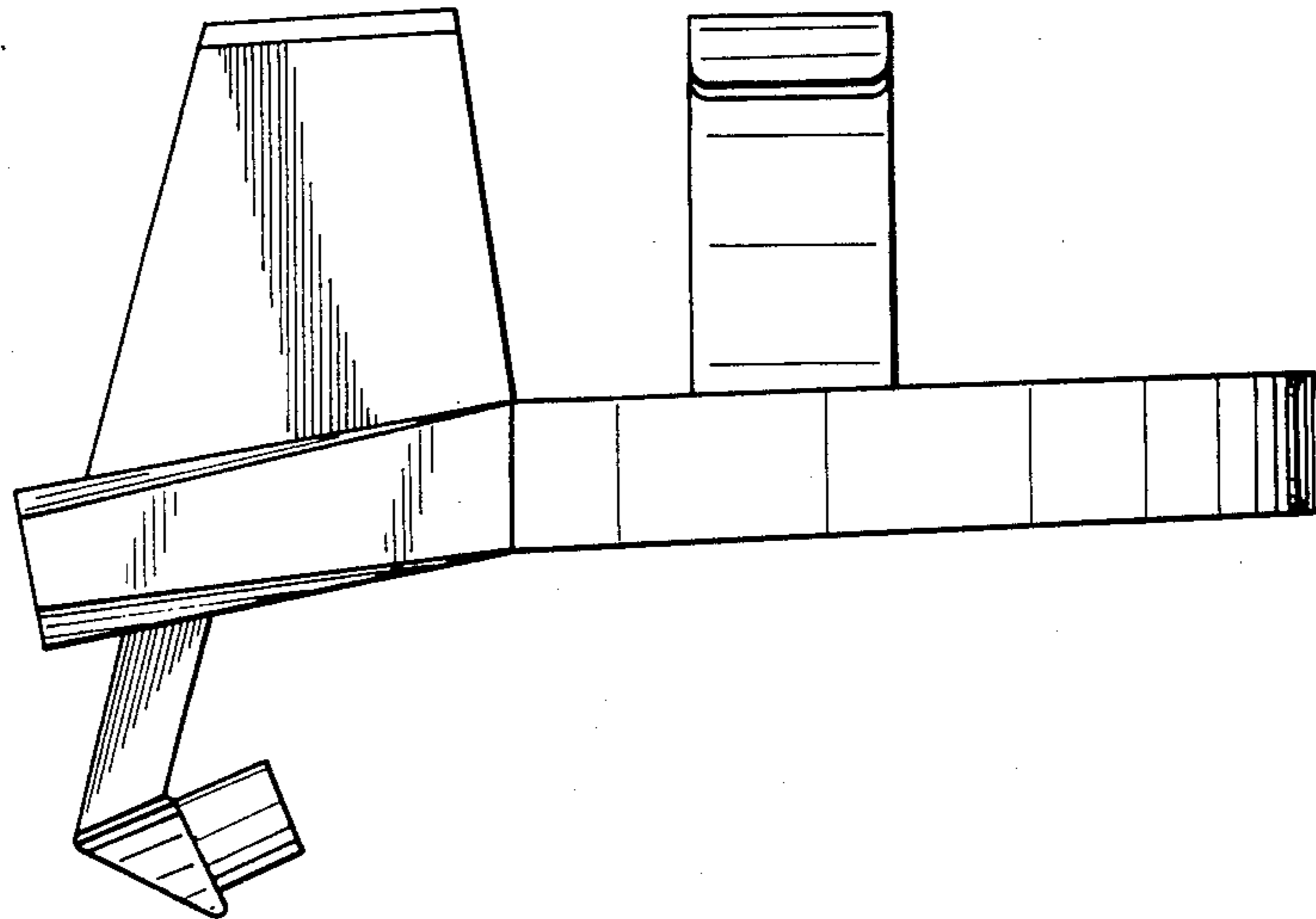


FIG. 3

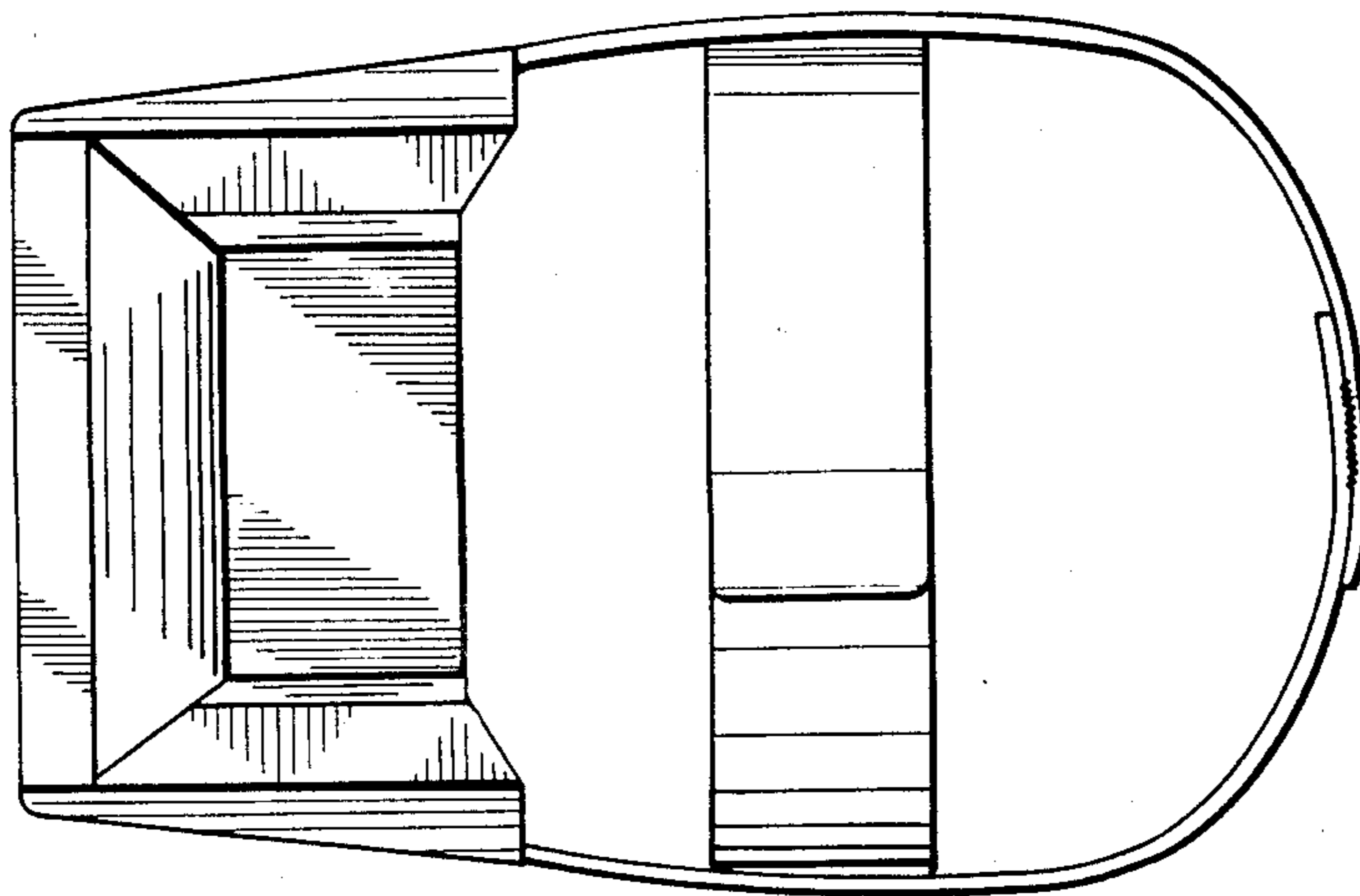


FIG. 4

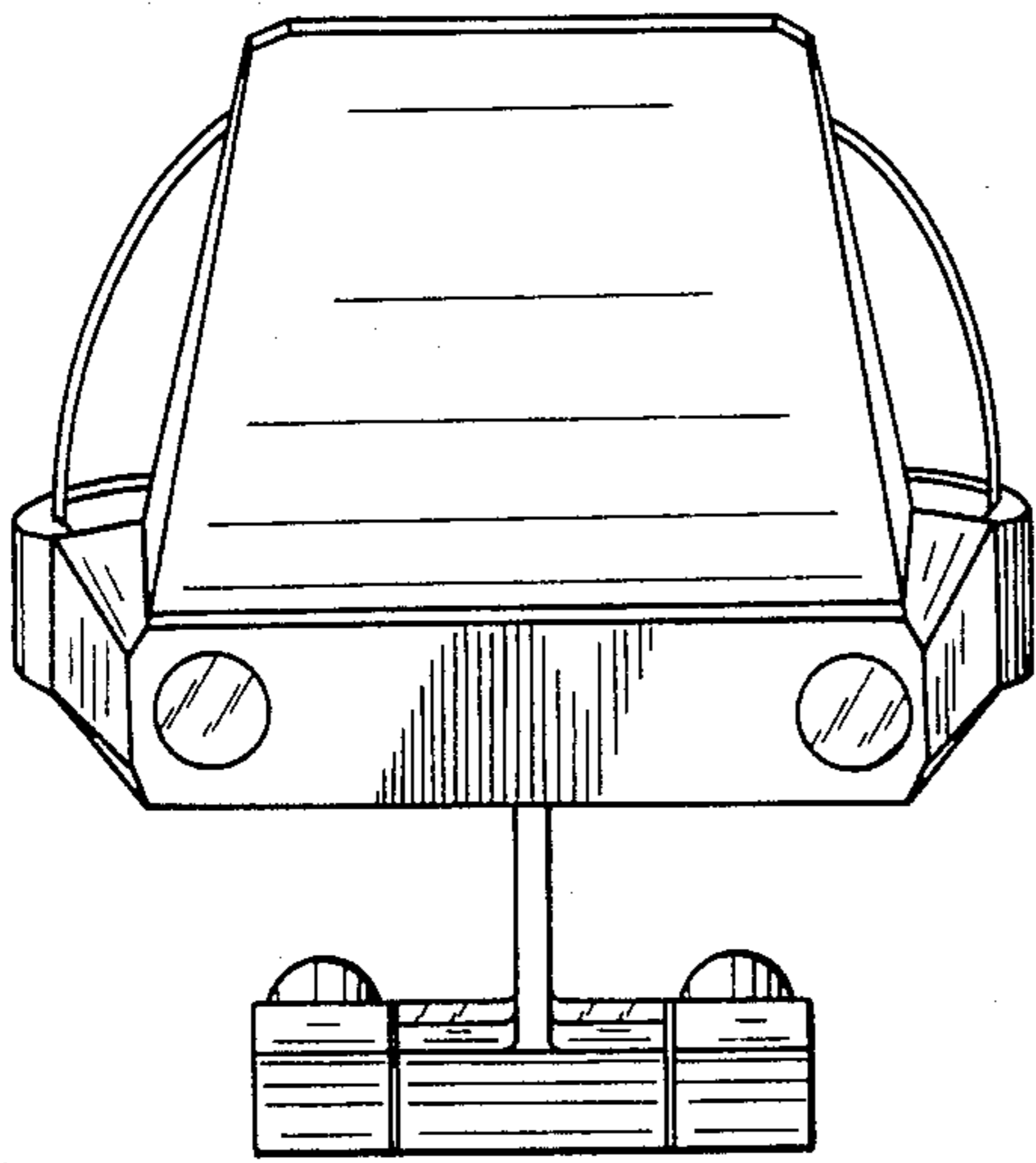


FIG. 5

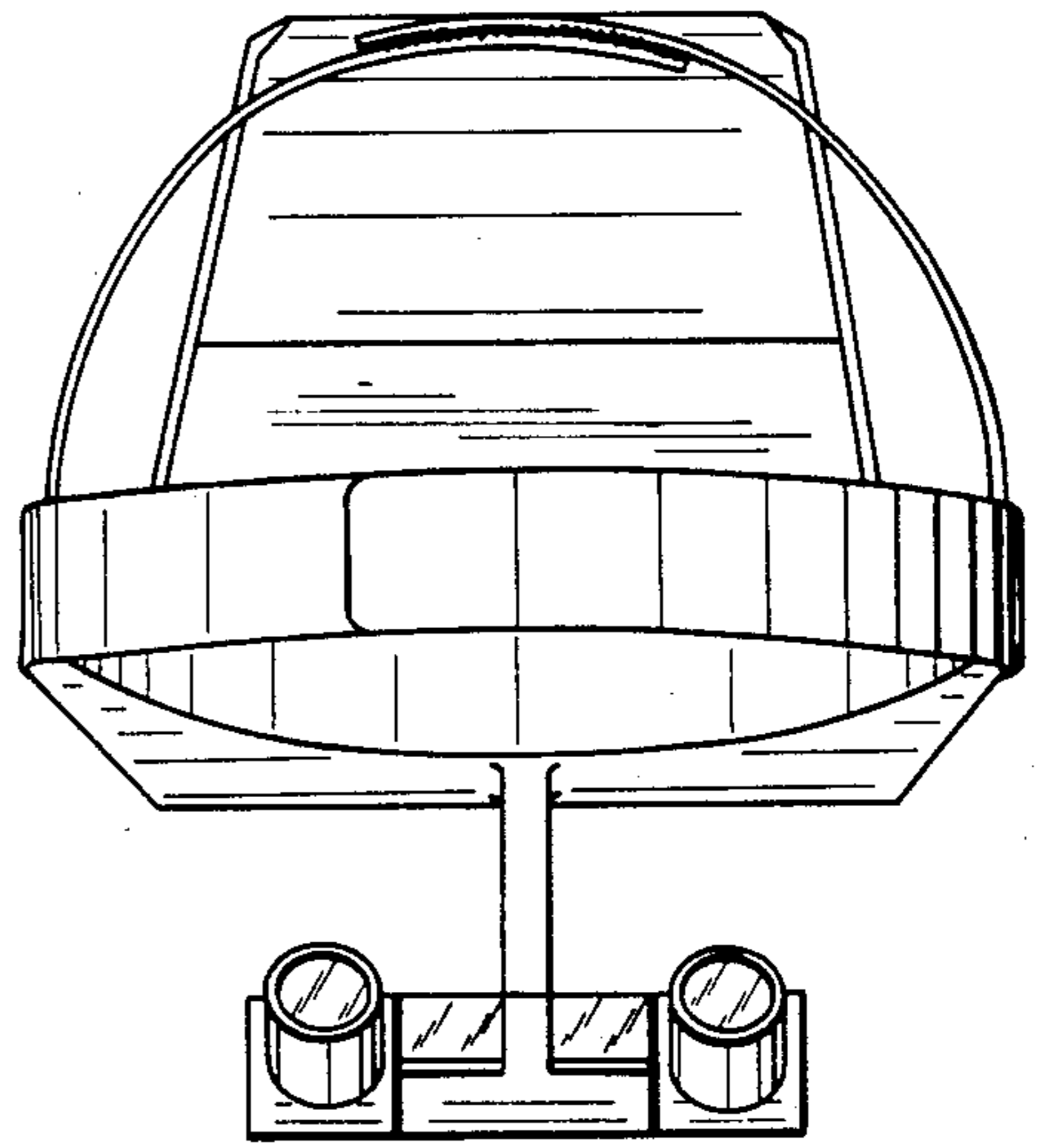


FIG. 6

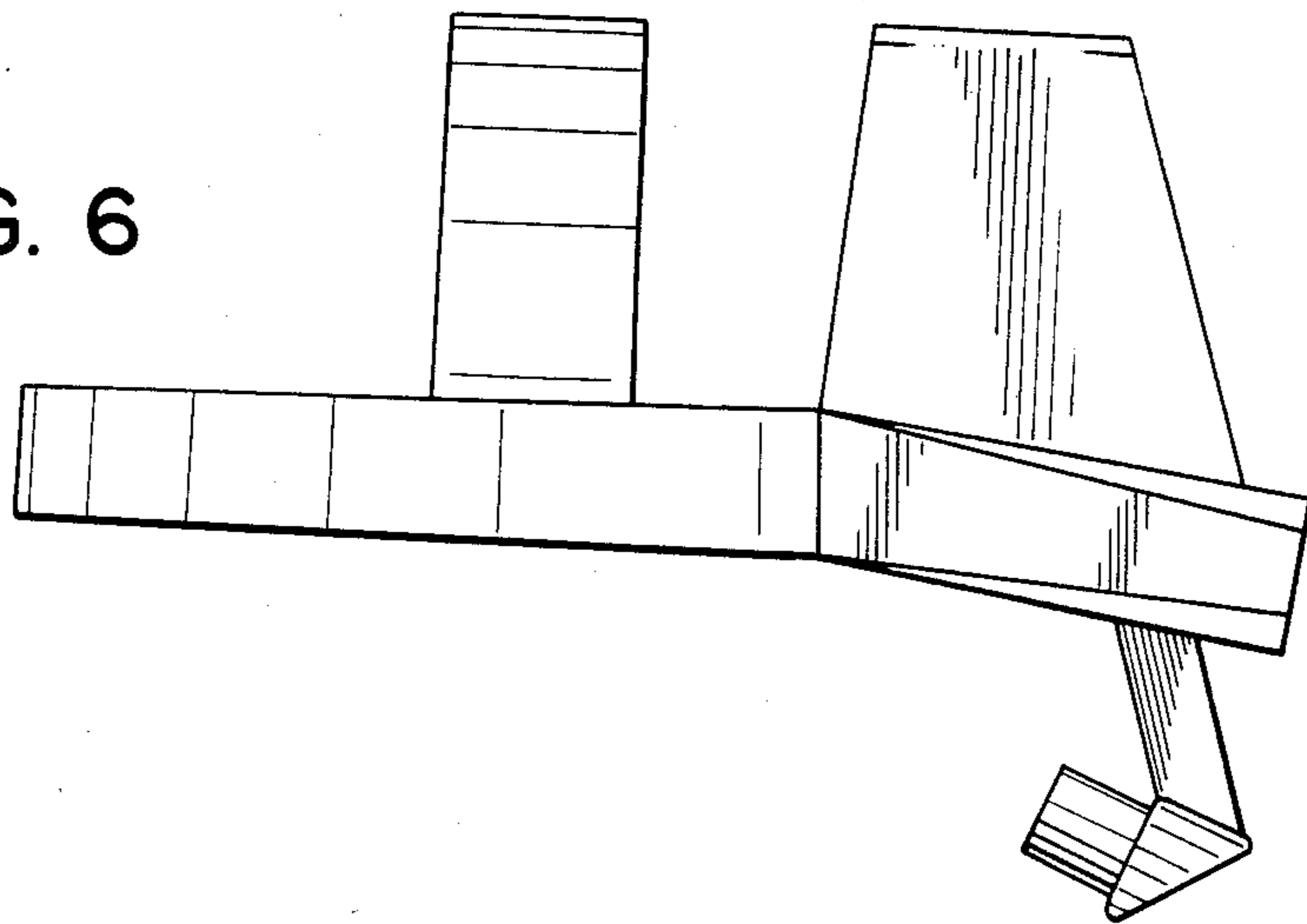
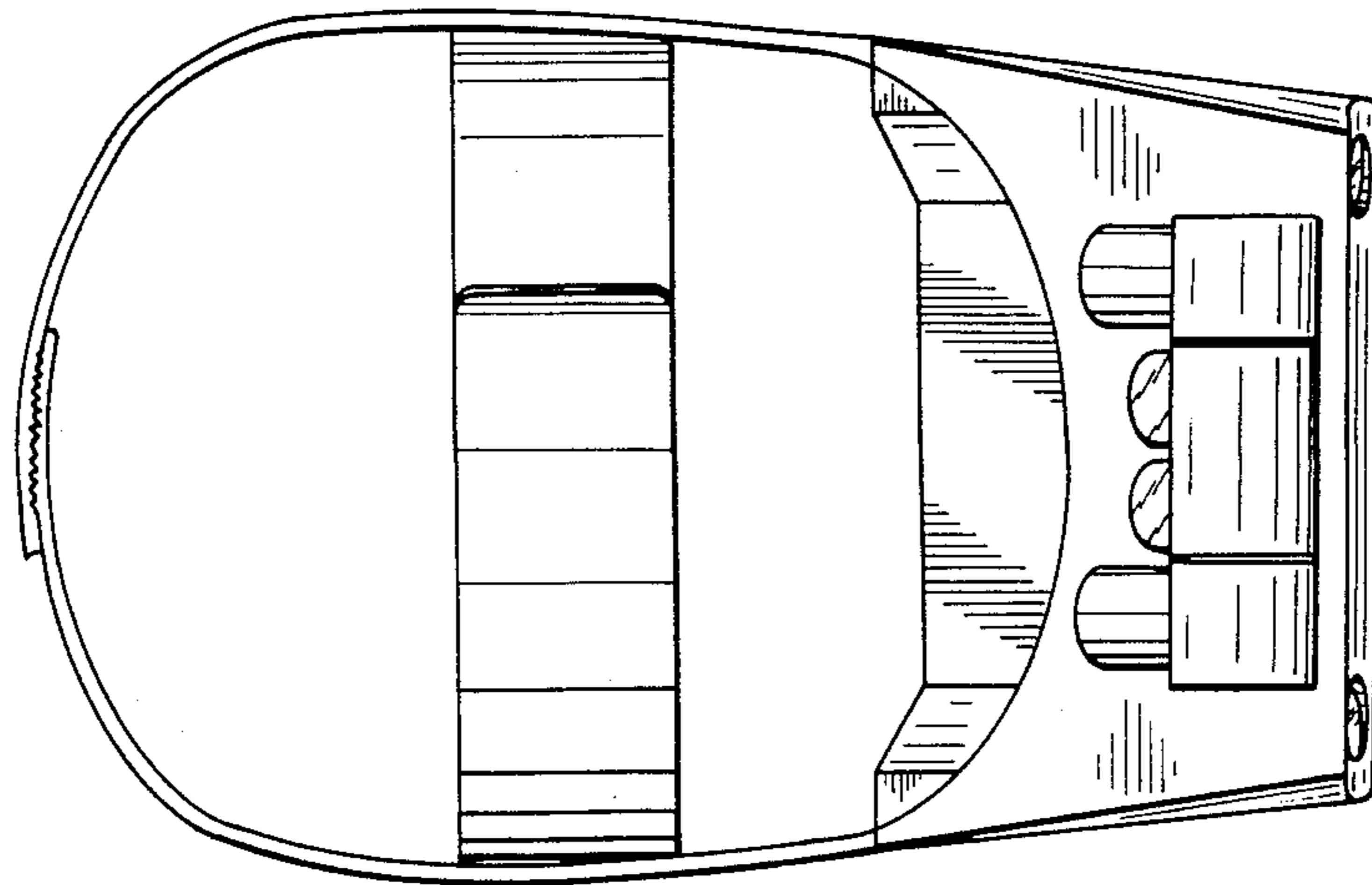


FIG. 7



UNITED STATES PATENT AND TRADEMARK OFFICE
CERTIFICATE OF CORRECTION

PATENT NO. : Des. 300,476
DATED : March 28, 1989
INVENTOR(S) : Joseph T. Sestak

It is certified that error appears in the above-identified patent and that said Letters Patent is hereby corrected as shown below:

In the Title: Delete "Headworn Imaging Unit
with Visor" and substitute therefor
--Headworn Imaging Unit--

In the Claim: Delete "with visor"

In the Description: Delete "with visor"

**Signed and Sealed this
Third Day of April, 1990**

Attest:

HARRY F. MANBECK, JR.

Attesting Officer

Commissioner of Patents and Trademarks