

United States Patent [19]

Caulder et al.

[11] Patent Number: Des. 300,475

[45] Date of Patent: ** Mar. 28, 1989

[54] CHILD HARNESS

[76] Inventors: Pamela M. Caulder; Albert L. Caulder, both of 743 S. Jackson Hwy., Toledo, Wash. 98591

[**] Term: 14 Years

[21] Appl. No.: 836,567

[22] Filed: Feb. 25, 1986

[52] U.S. Cl. D29/11

[58] Field of Search D6/333; D29/10, 11; 128/133, 134; 119/96, 109

[56] References Cited

U.S. PATENT DOCUMENTS

- D. 260,697 9/1981 Fitzgerald et al. .
- D. 260,698 9/1981 Fitzgerald et al. .
- D. 277,808 3/1985 Nichols D29/11
- 1,651,561 12/1927 Storey 128/134
- 1,816,262 7/1931 Ritter .
- 1,930,378 10/1933 Beagan 119/96

- 3,004,519 10/1961 Weissman 119/96
- 3,088,438 5/1963 Oliphant .
- 4,174,059 11/1979 Maunder .
- 4,308,629 1/1982 Freemon .
- 4,699,090 10/1987 Voorhees 119/96

FOREIGN PATENT DOCUMENTS

- 2029683 3/1980 United Kingdom 119/109

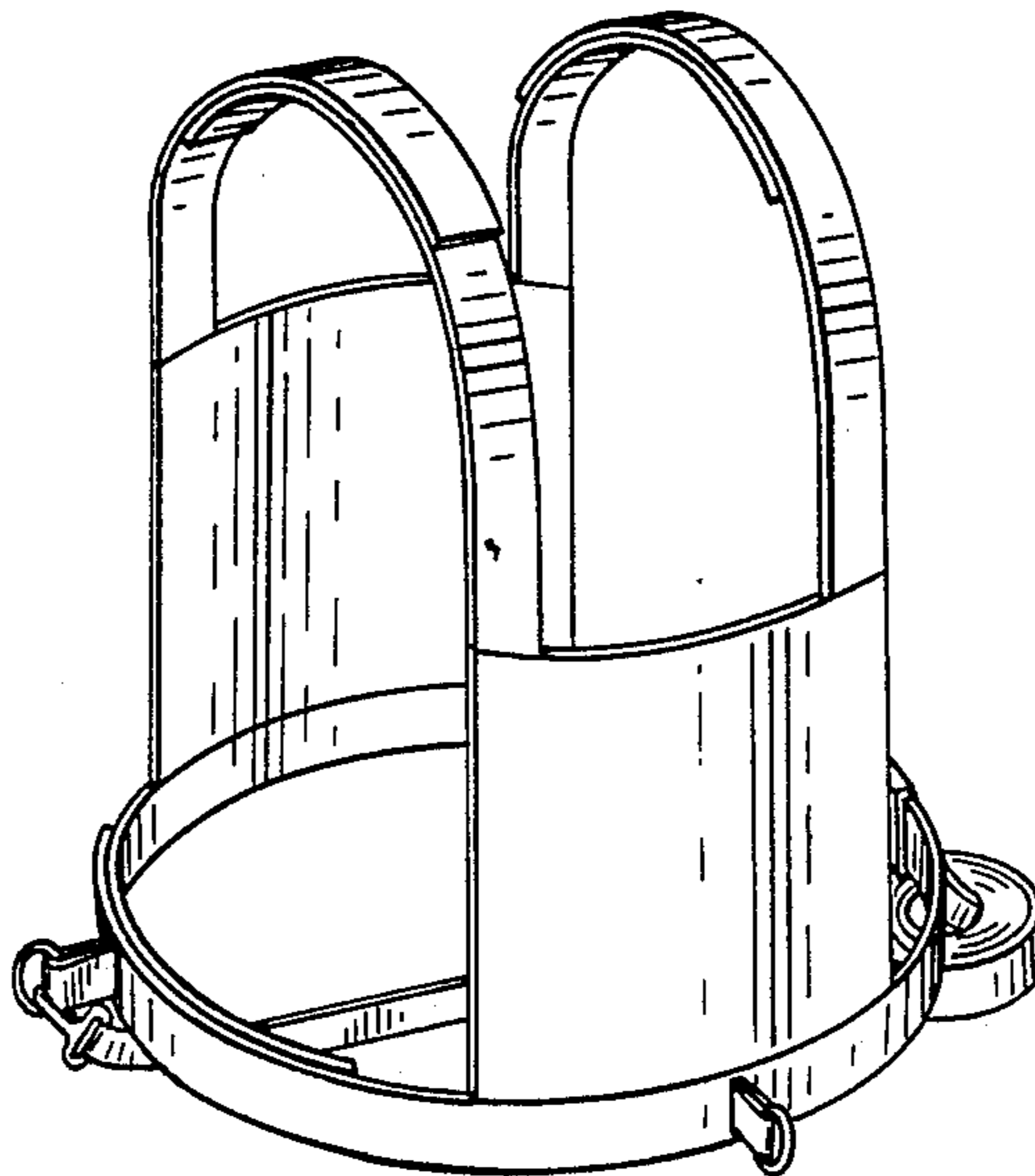
Primary Examiner—Carmen H. Vales
Attorney, Agent, or Firm—Klarquist, Sparkman, Campbell, Leigh & Whinston

[57] CLAIM

The ornamental design for a child harness, as shown.

DESCRIPTION

FIG. 1 is a perspective view of a child harness showing our new design;
FIG. 2 is a left side elevational view thereof;
FIG. 3 is a right side elevational view thereof;
FIG. 4 is a rear elevational view thereof; and
FIG. 5 is a front elevational view thereof.



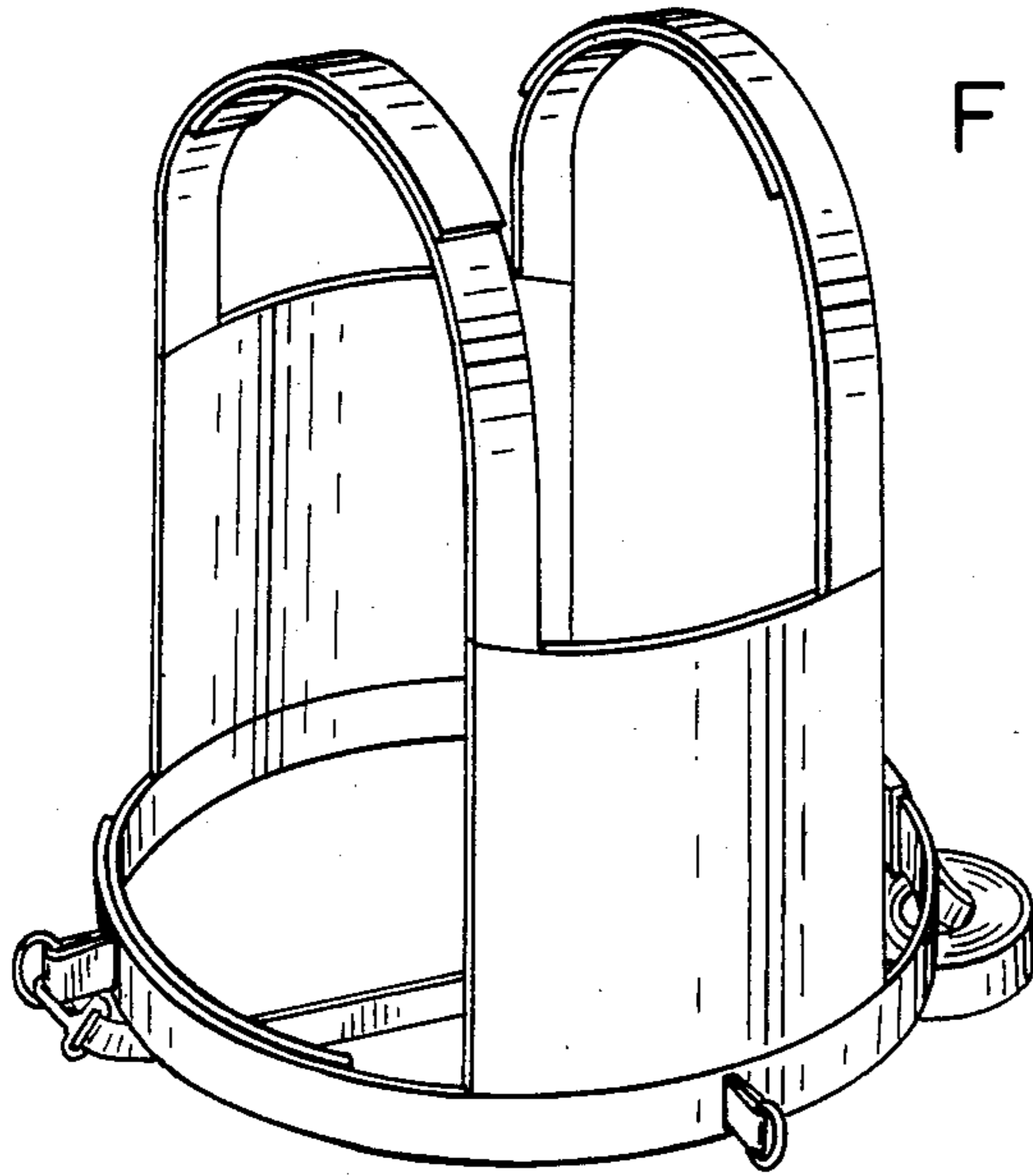


FIG. 1

FIG. 2

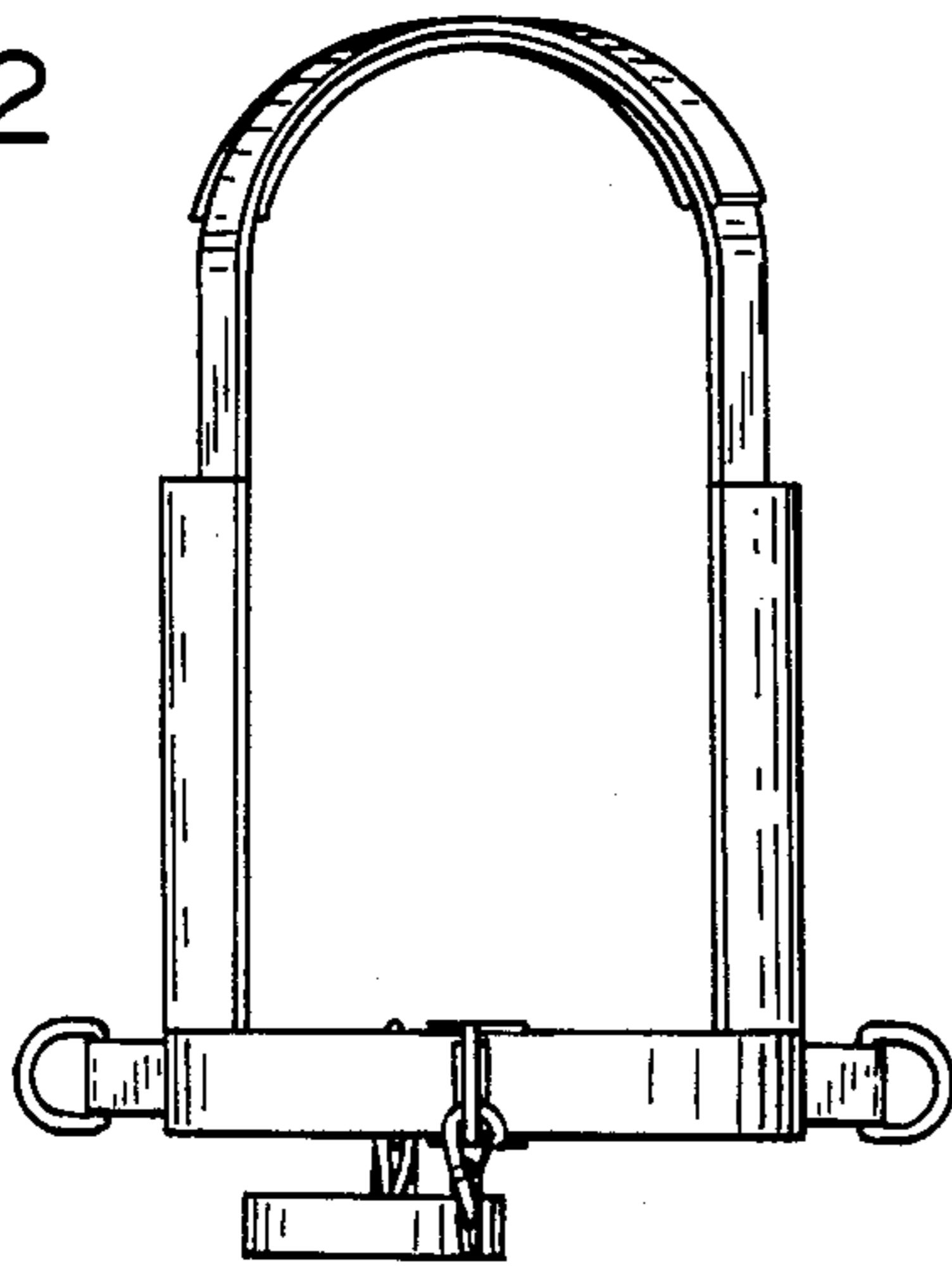


FIG. 3

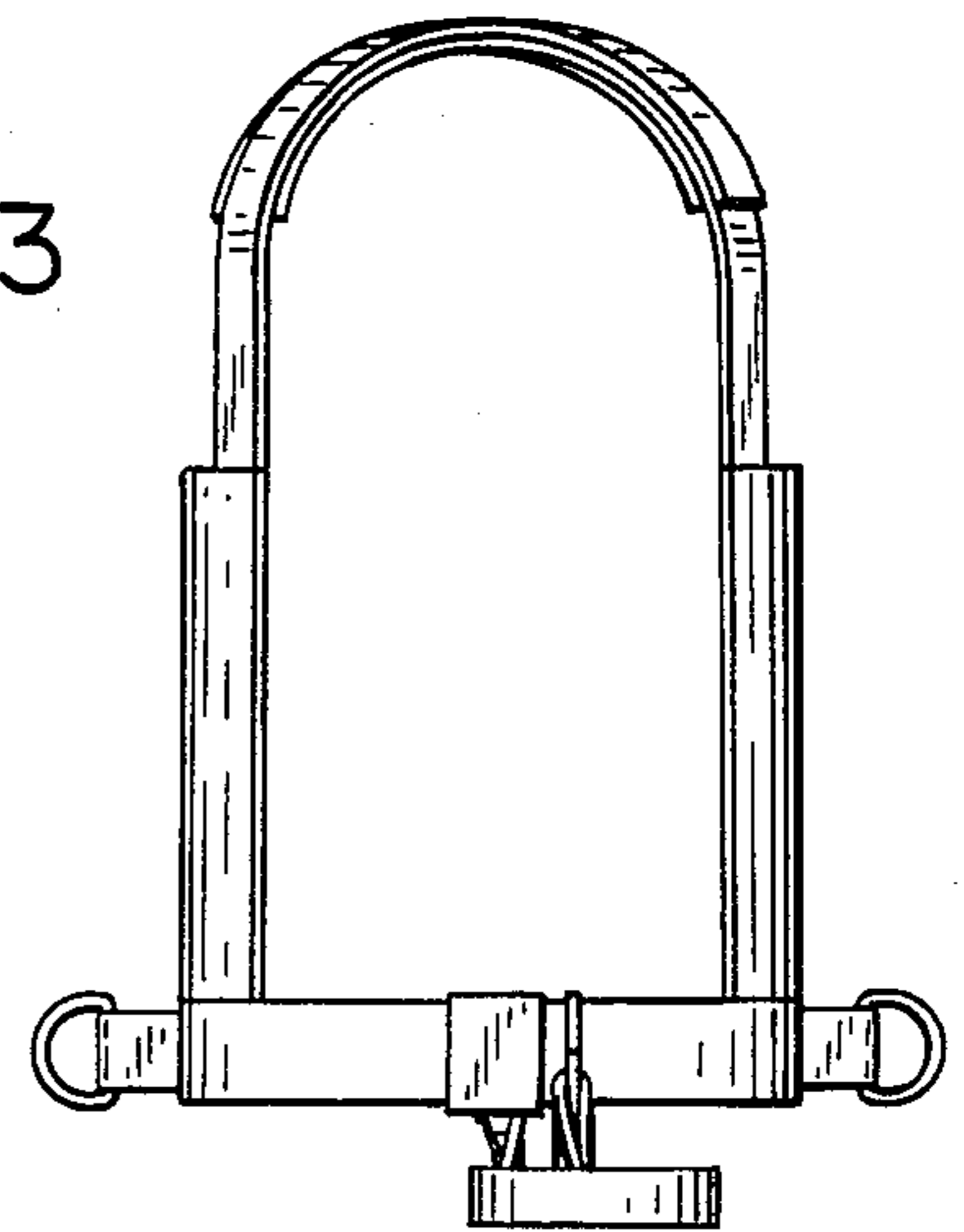


FIG. 4

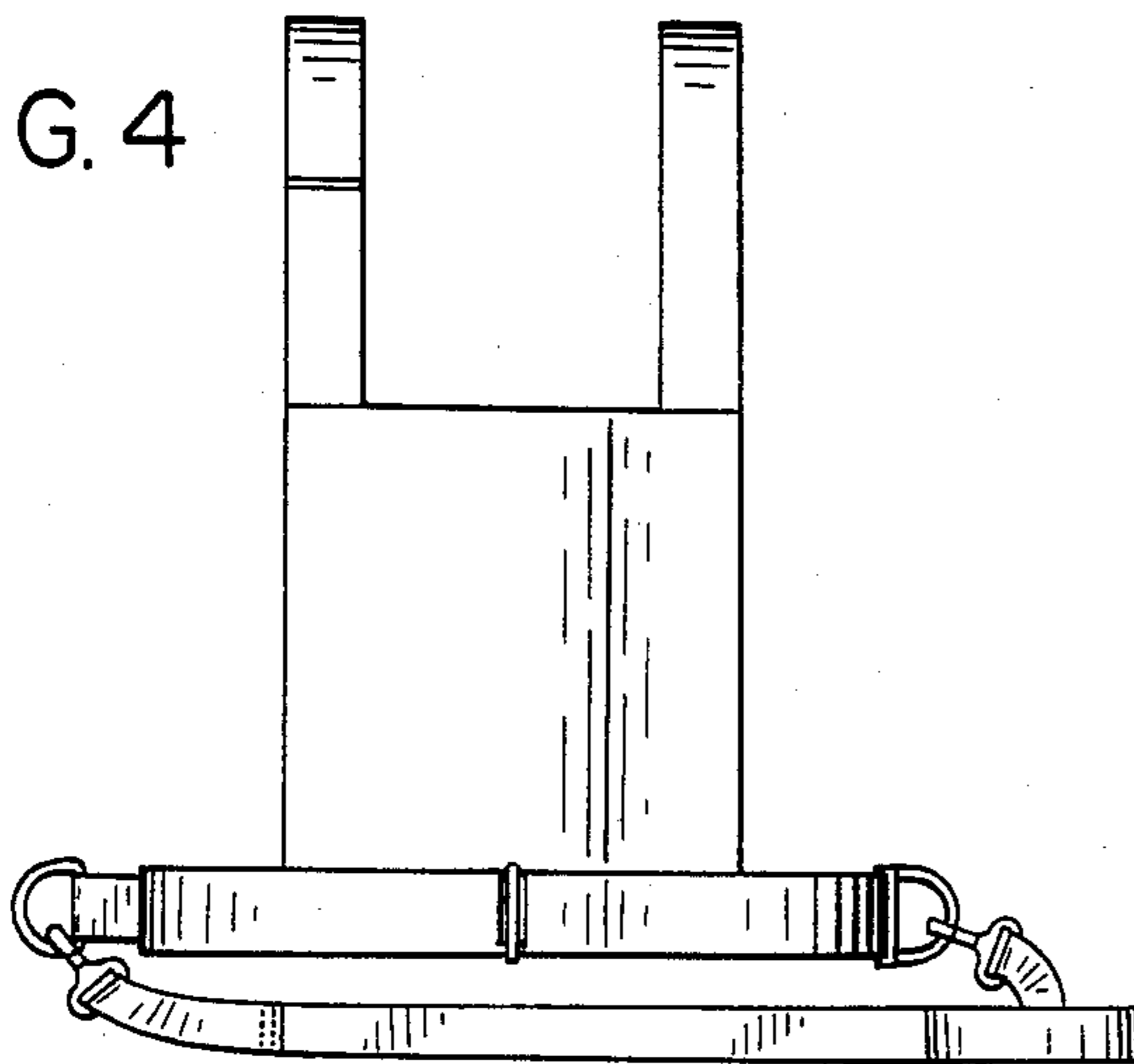


FIG. 5

