

[54] HAIR SETTER

[75] Inventor: Wong F. Keung, Kowloon, Hong Kong

[73] Assignee: Motor Electric Manufacturing Co., Ltd., New Territories, Hong Kong

[**] Term: 14 Years

[21] Appl. No.: 39,943

[22] Filed: Apr. 20, 1987

[30] Foreign Application Priority Data

Dec. 23, 1986 [GB] United Kingdom 1038956
 [52] U.S. Cl. D28/38
 [58] Field of Search D28/9-18,
 D28/35, 38, 73, 61; 219/222, 225; 132/7, 9, 37
 R

[56] References Cited

U.S. PATENT DOCUMENTS

D. 228,262 8/1973 Hunter D28/12 X
 D. 280,941 10/1985 Doyle D28/38
 D. 287,299 12/1986 Yamagami et al. D28/38
 D. 289,091 3/1987 Skovdal D28/38

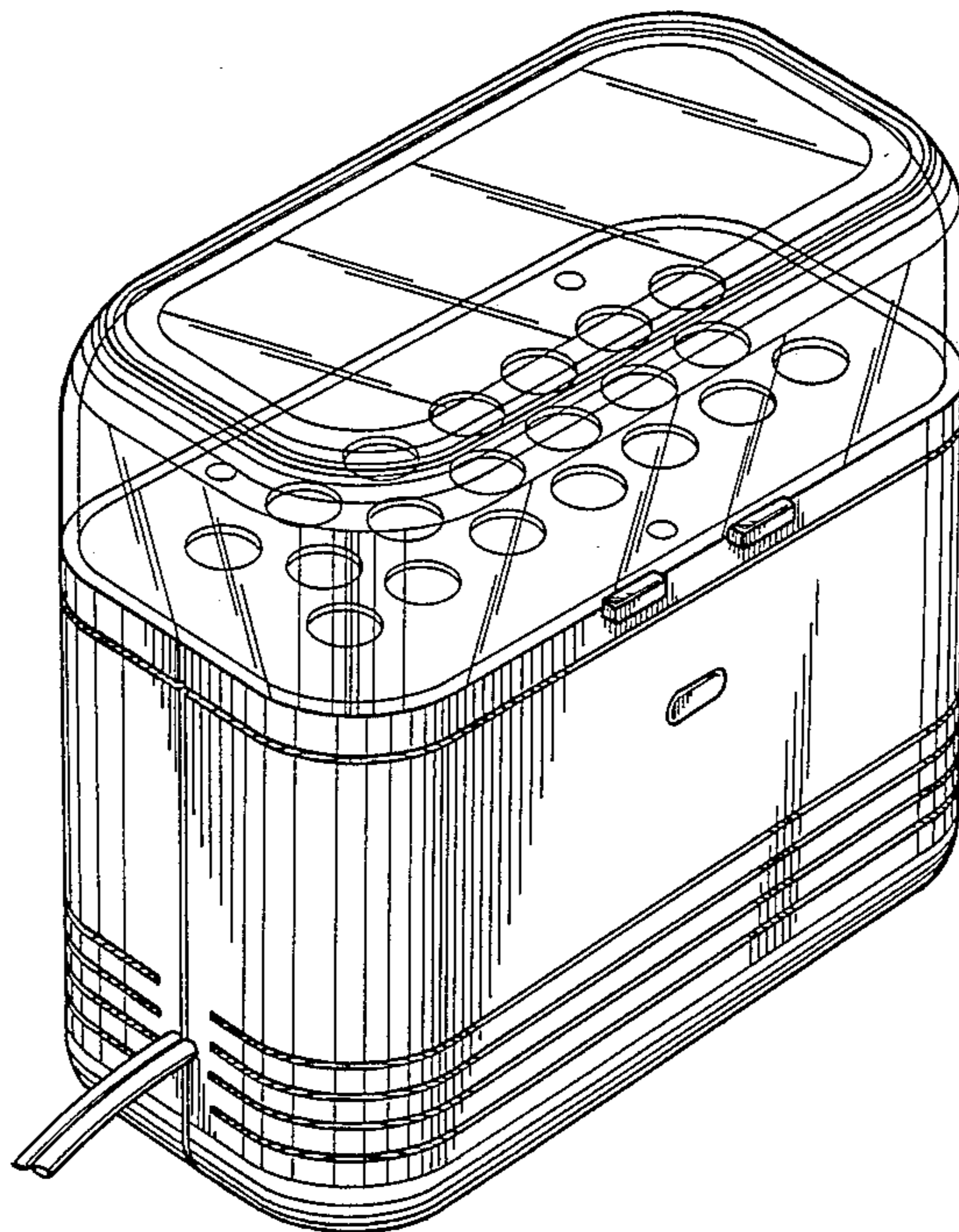
Primary Examiner—Louis S. Zarfes
Attorney, Agent, or Firm—Wolf, Greenfield & Sacks

[57] CLAIM

The ornamental design for a hair setter, as shown and described.

DESCRIPTION

FIG. 1 is a top plan view of a hair setter showing my new design;
 FIG. 2 is a bottom plan view thereof;
 FIG. 3 is a left side elevational view thereof;
 FIG. 4 is a front elevational view thereof;
 FIG. 5 is a right side elevational view thereof;
 FIG. 6 is a back elevational view thereof; and
 FIG. 7 is a perspective view thereof.



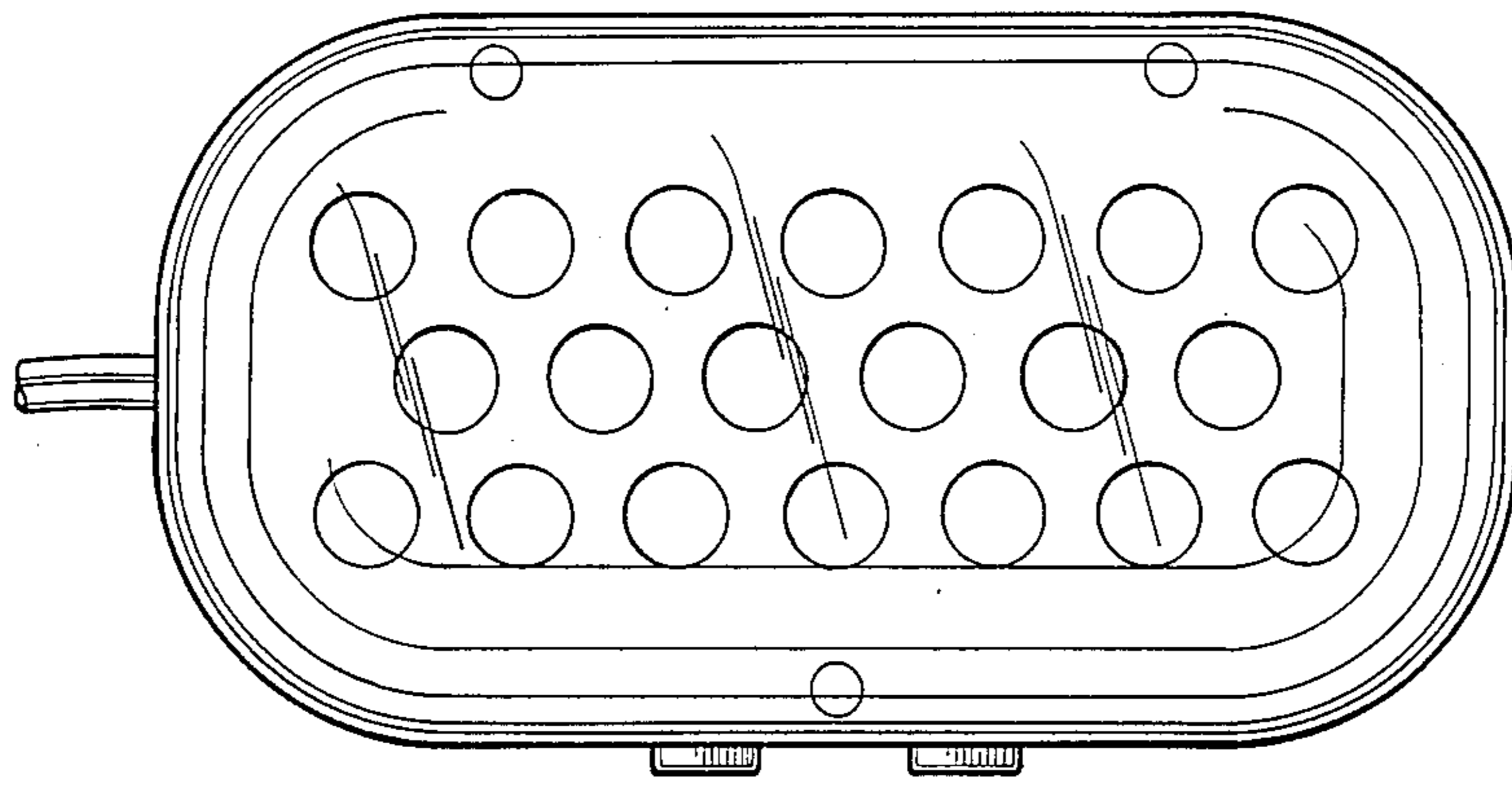


Fig. 1

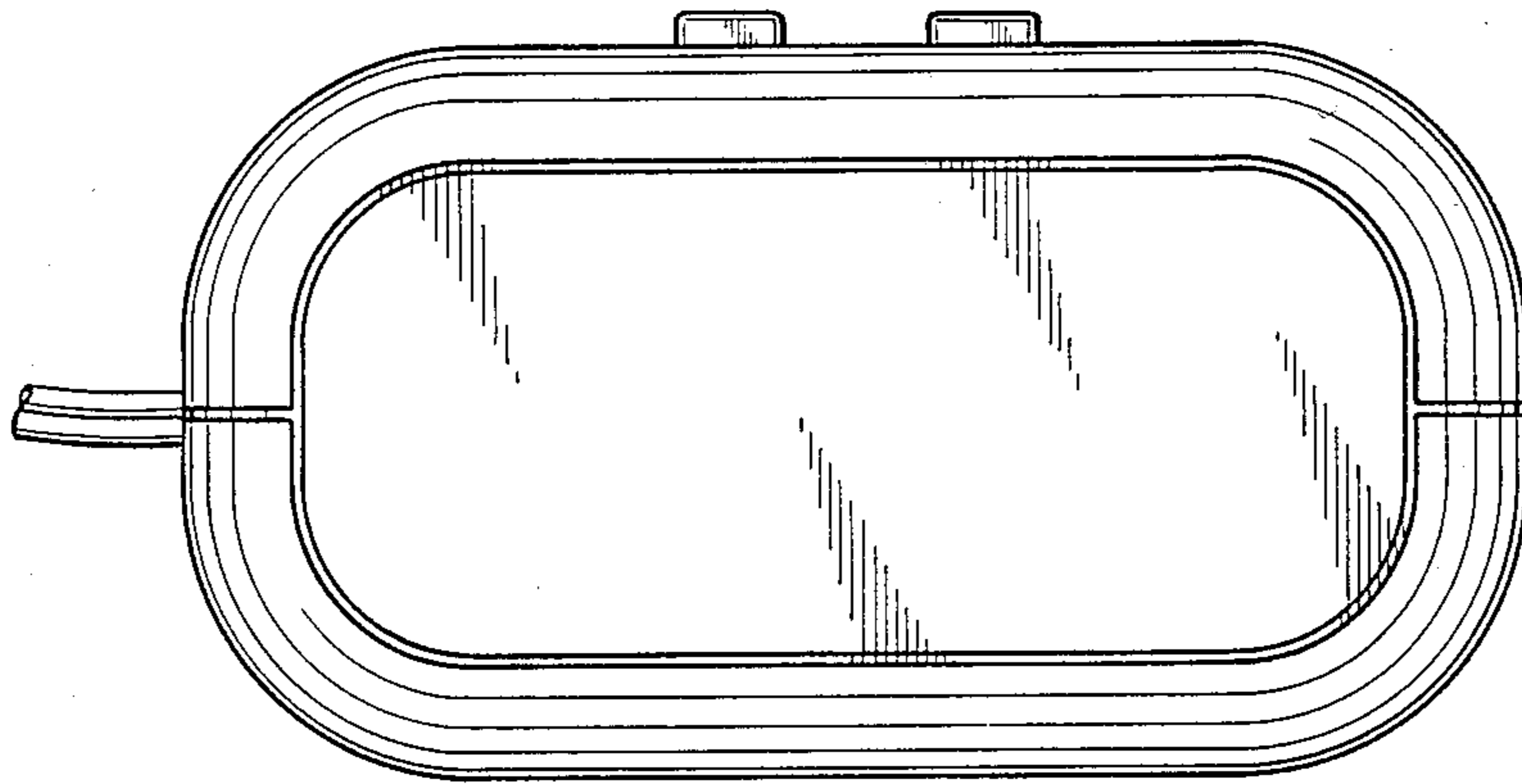


Fig. 2

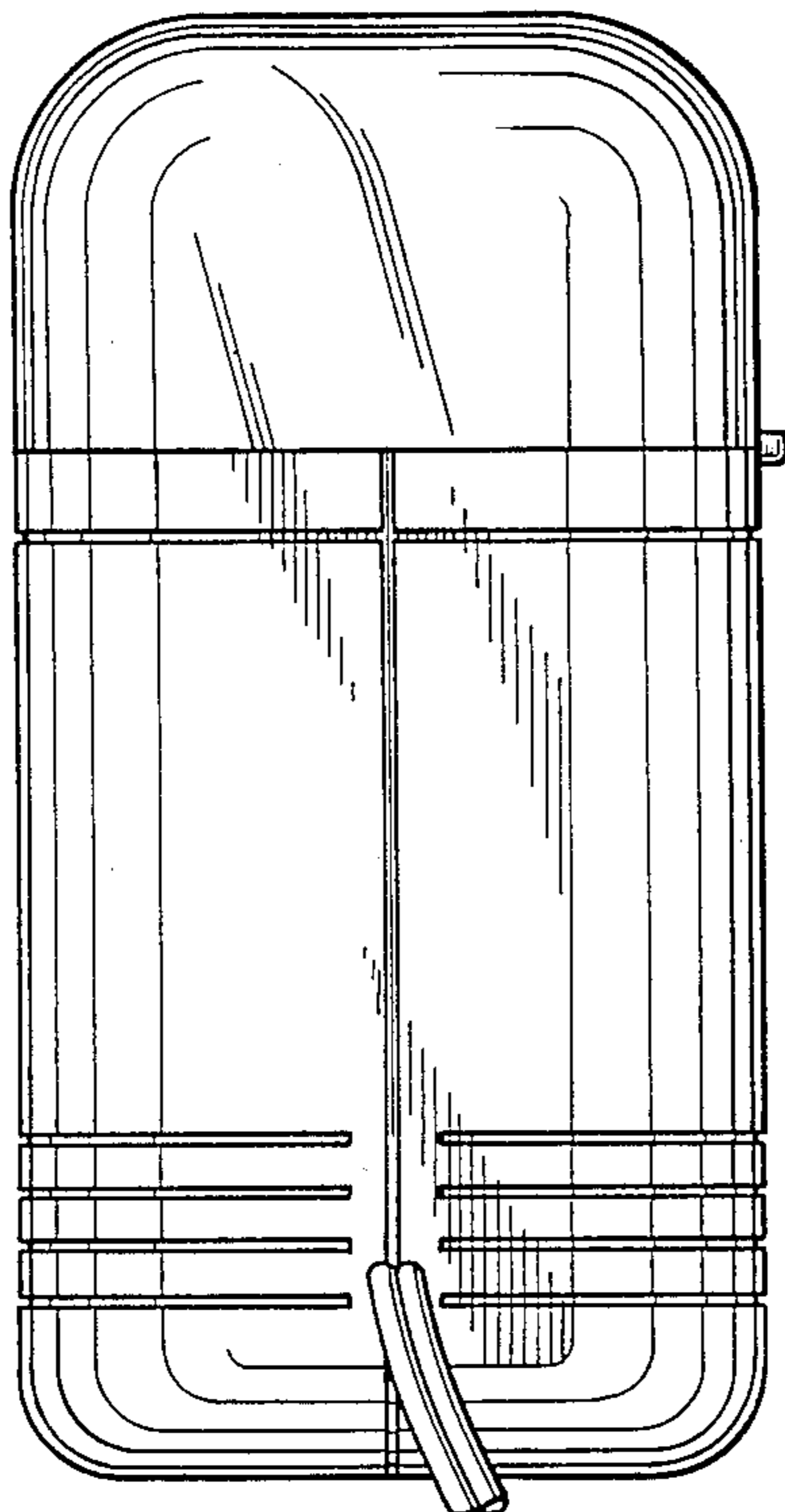


Fig. 3

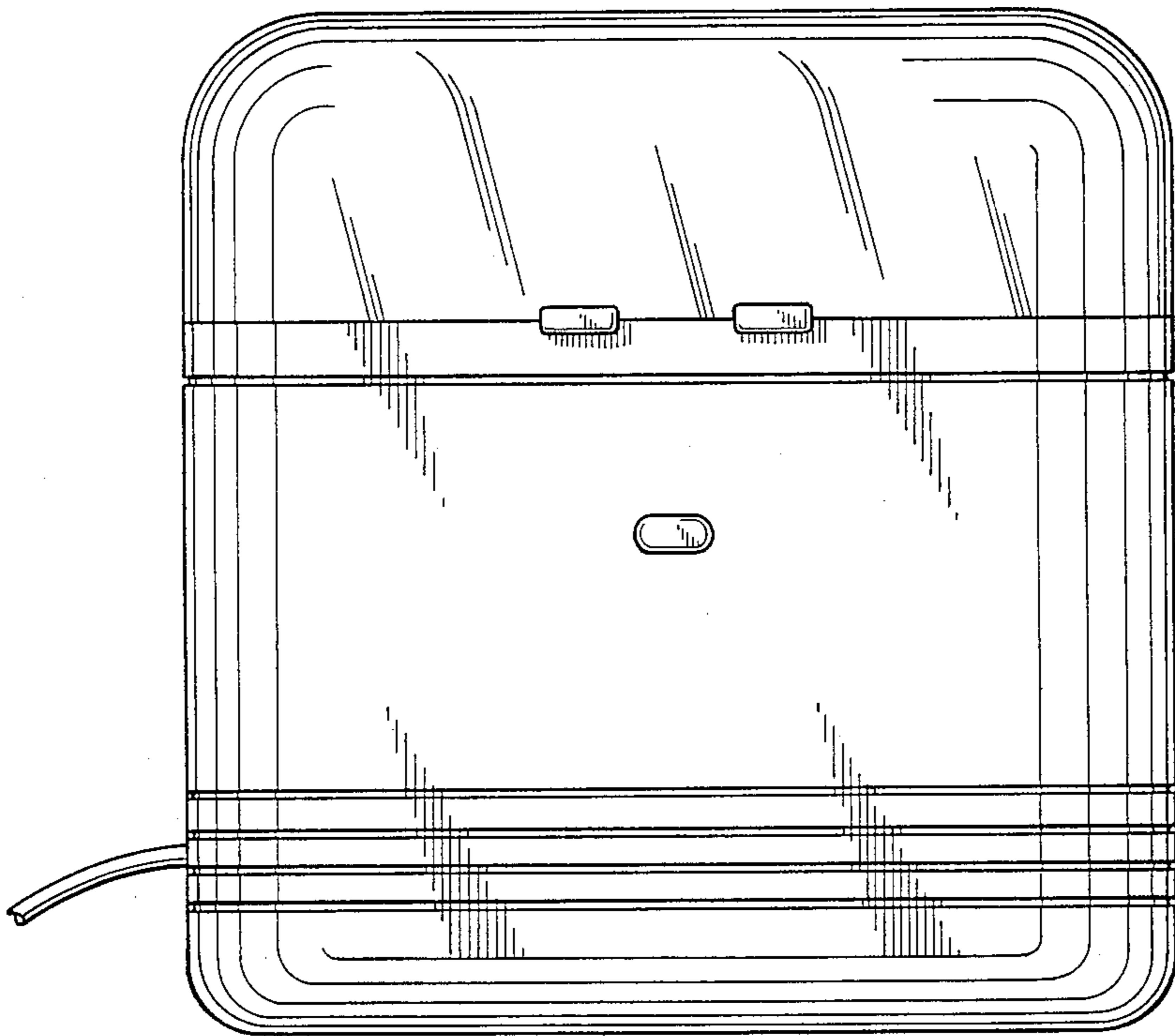


Fig. 4

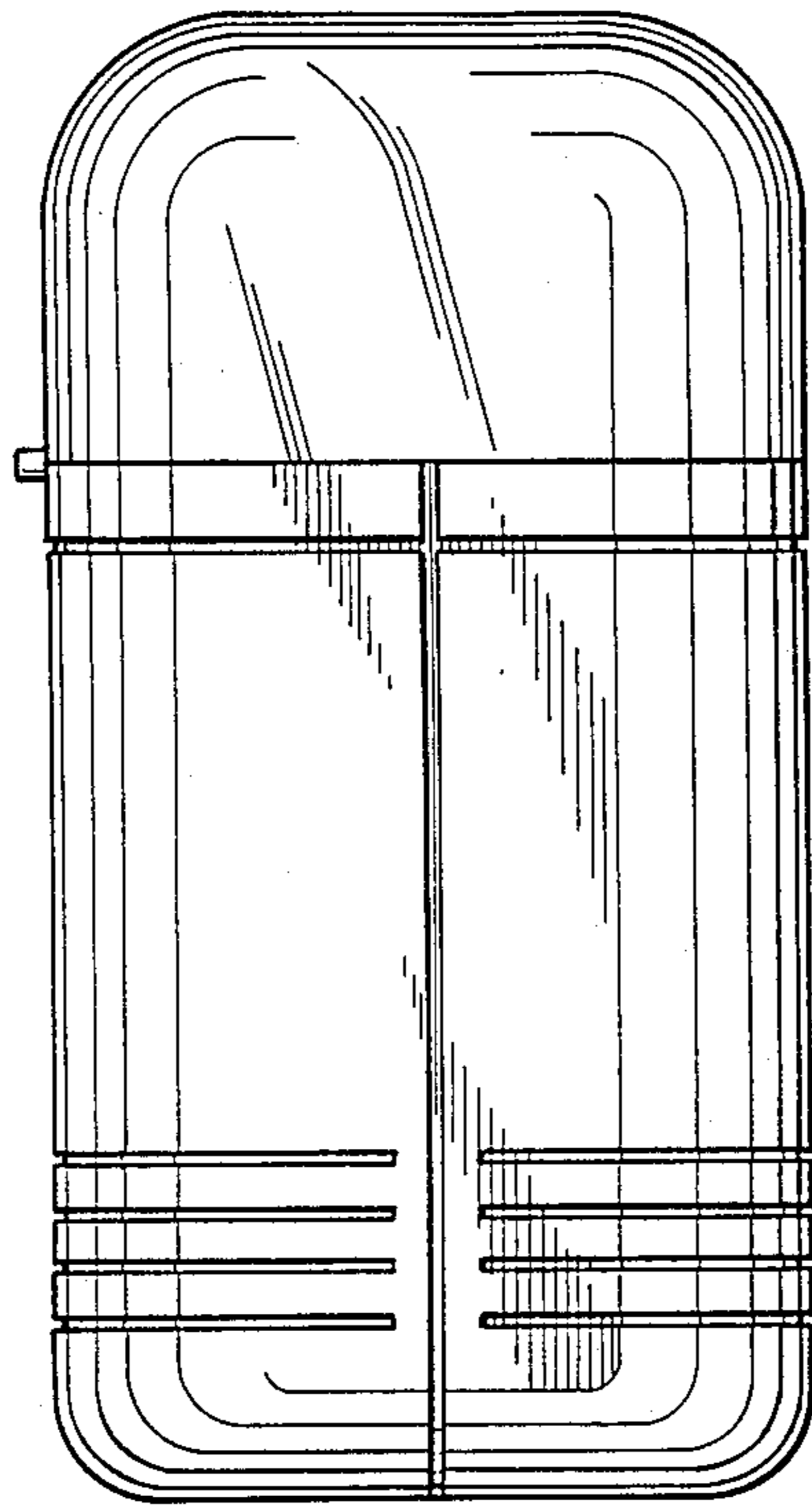


Fig. 5

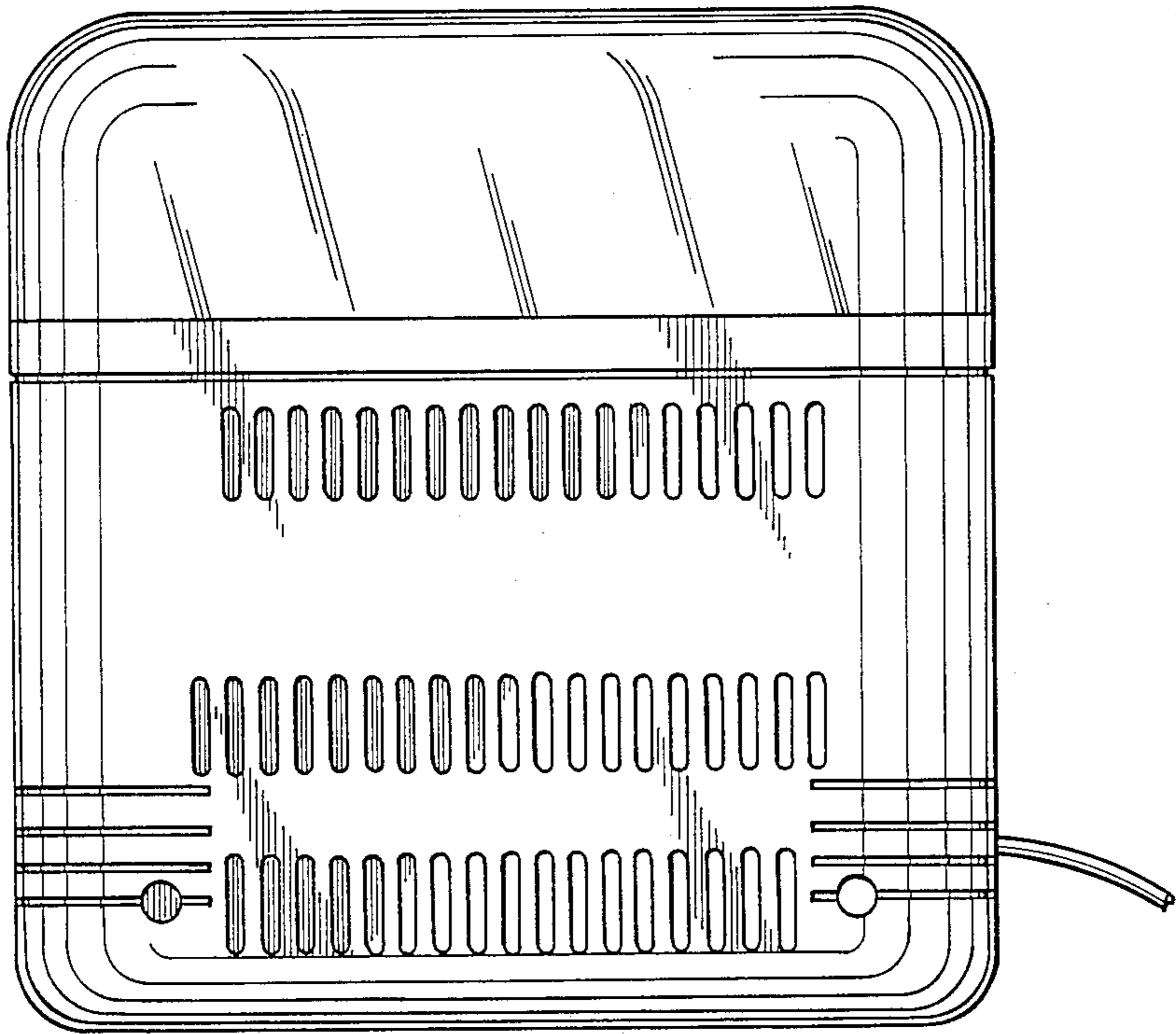


Fig. 6

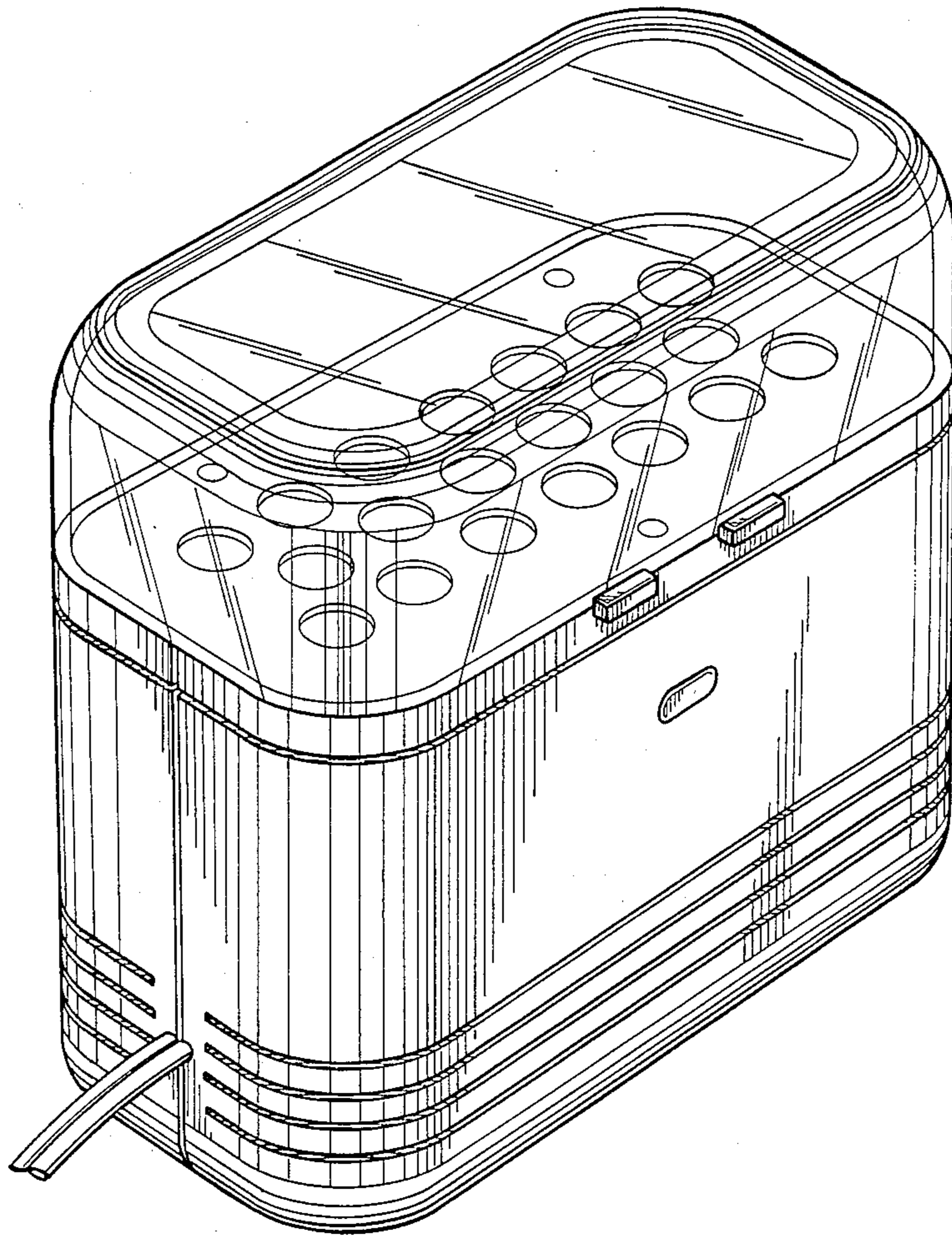


Fig. 7