

[54] INDUSTRIAL LUMINAIRE HOUSING

[75] Inventors: Robert L. Ewing, Newark; James S. Hughes; William H. Faust, Columbus, all of Ohio

[73] Assignee: Manville Corporation, Denver, Colo.

[**] Term: 14 Years

[21] Appl. No.: 711,346

[22] Filed: Mar. 13, 1985

[52] U.S. Cl. D26/24; D26/85

[58] Field of Search D26/24, 72, 80-92, D26/68-71; 362/404, 405, 406, 408, 362, 363, 307, 311

[56] References Cited

U.S. PATENT DOCUMENTS

4,425,609 1/1984 Grindle 362/362 X

OTHER PUBLICATIONS

Killark Mfg. Co. V. M. Series Fixtures Catalog ©1980, p. 18, Metal Halide, ballasted 175-250 Watt Fixture.

Light & Lighting, 3-1972, p. 116, Fixture #25.

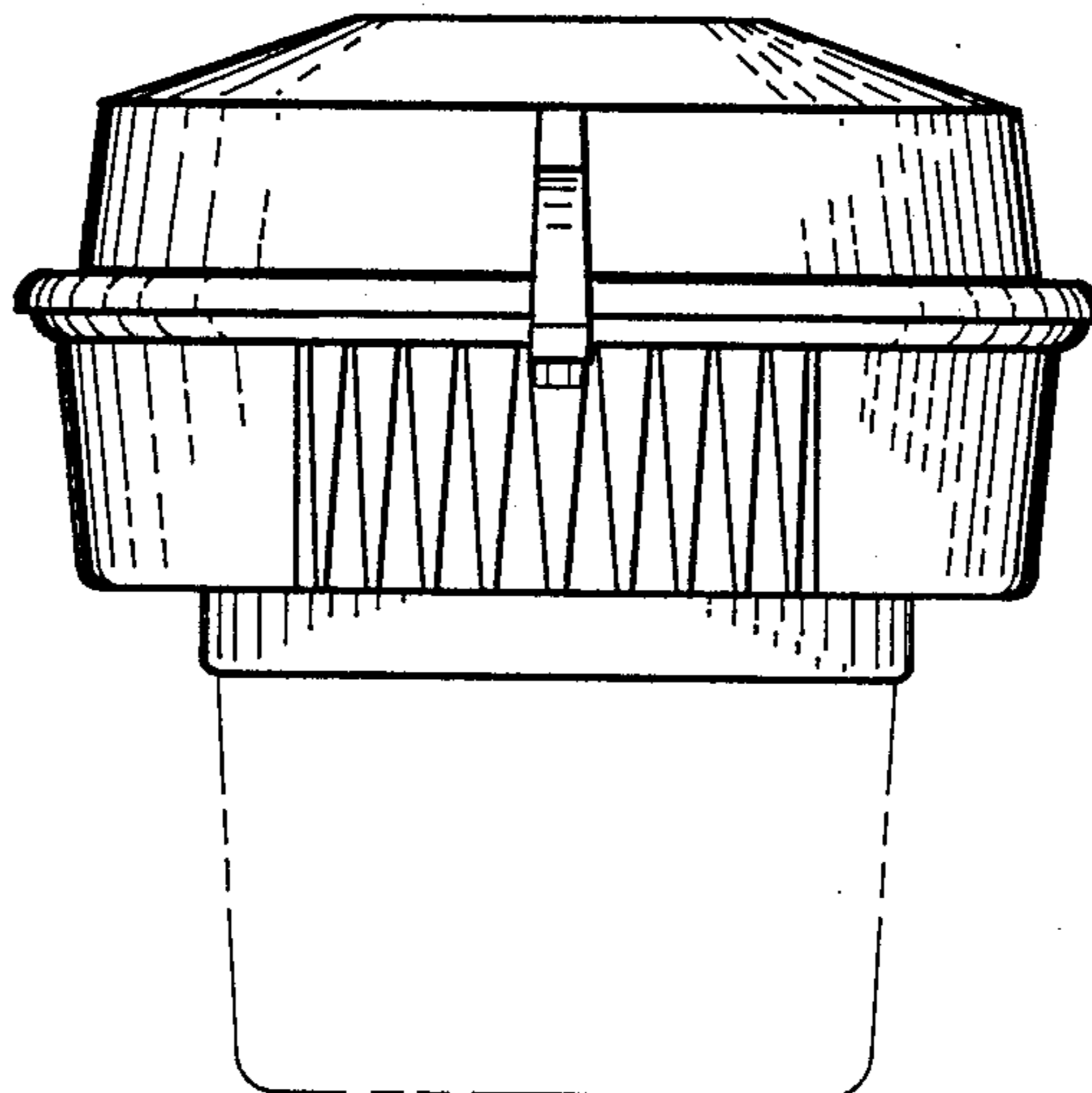
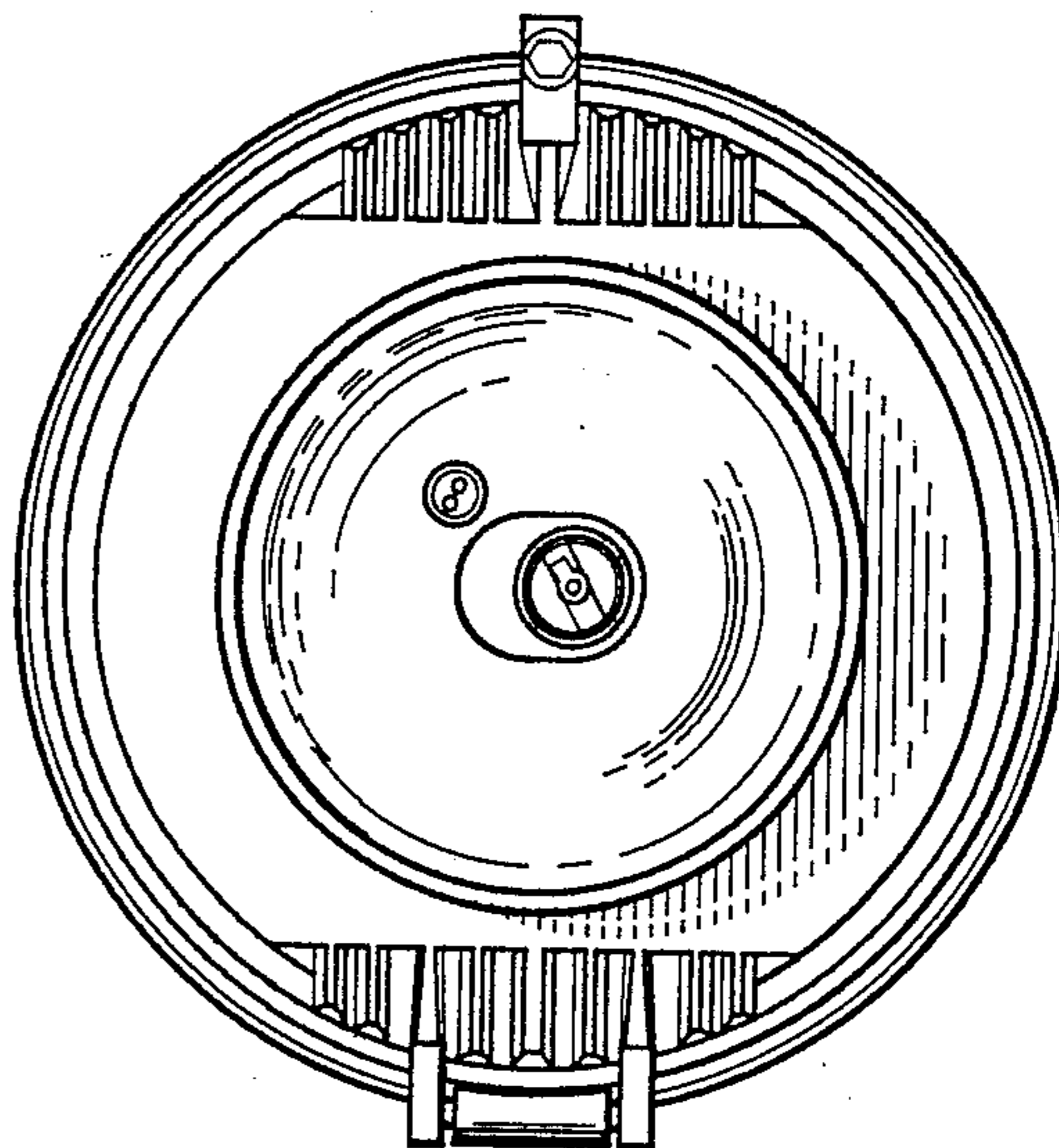
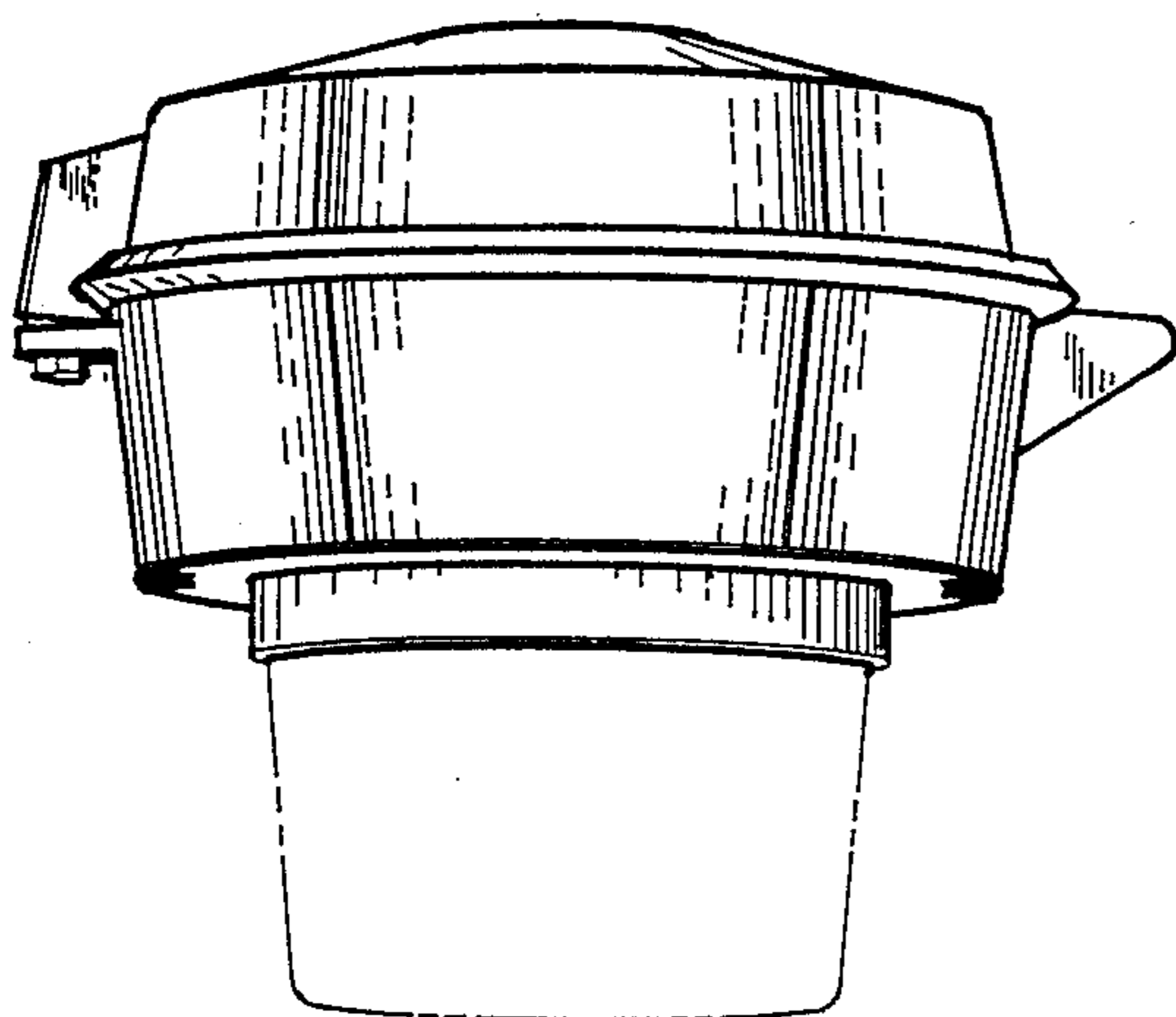
Primary Examiner—Susan J. Lucas
Attorney, Agent, or Firm—John D. Lister; Cornelius P. Quinn

[57] CLAIM

The ornamental design for an industrial luminaire housing, as shown and described.

DESCRIPTION

FIG. 1 is a side perspective view of an industrial luminaire housing showing our new design;
FIG. 2 is a bottom plan view thereof on an enlarged scale;
FIG. 3 is a front elevational view thereof on an enlarged scale;
FIG. 4 is a rear elevational view thereof on an enlarged scale;
FIG. 5 is a top plan view thereof;
FIG. 6 is an elevational view of the side opposite that shown in FIG. 1;
The refractor is shown in broken lines for illustrative purposes only.



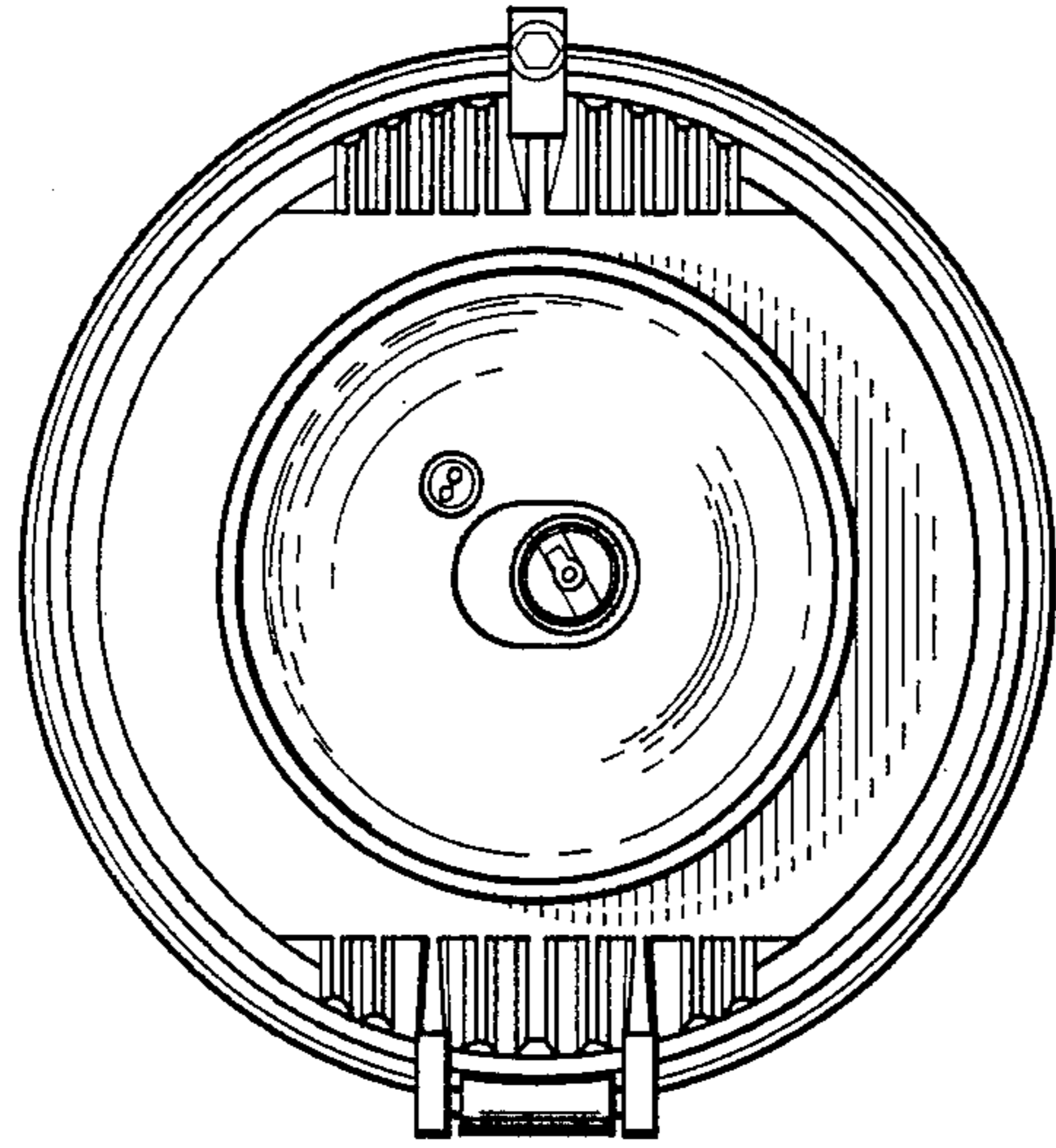


Fig. 2

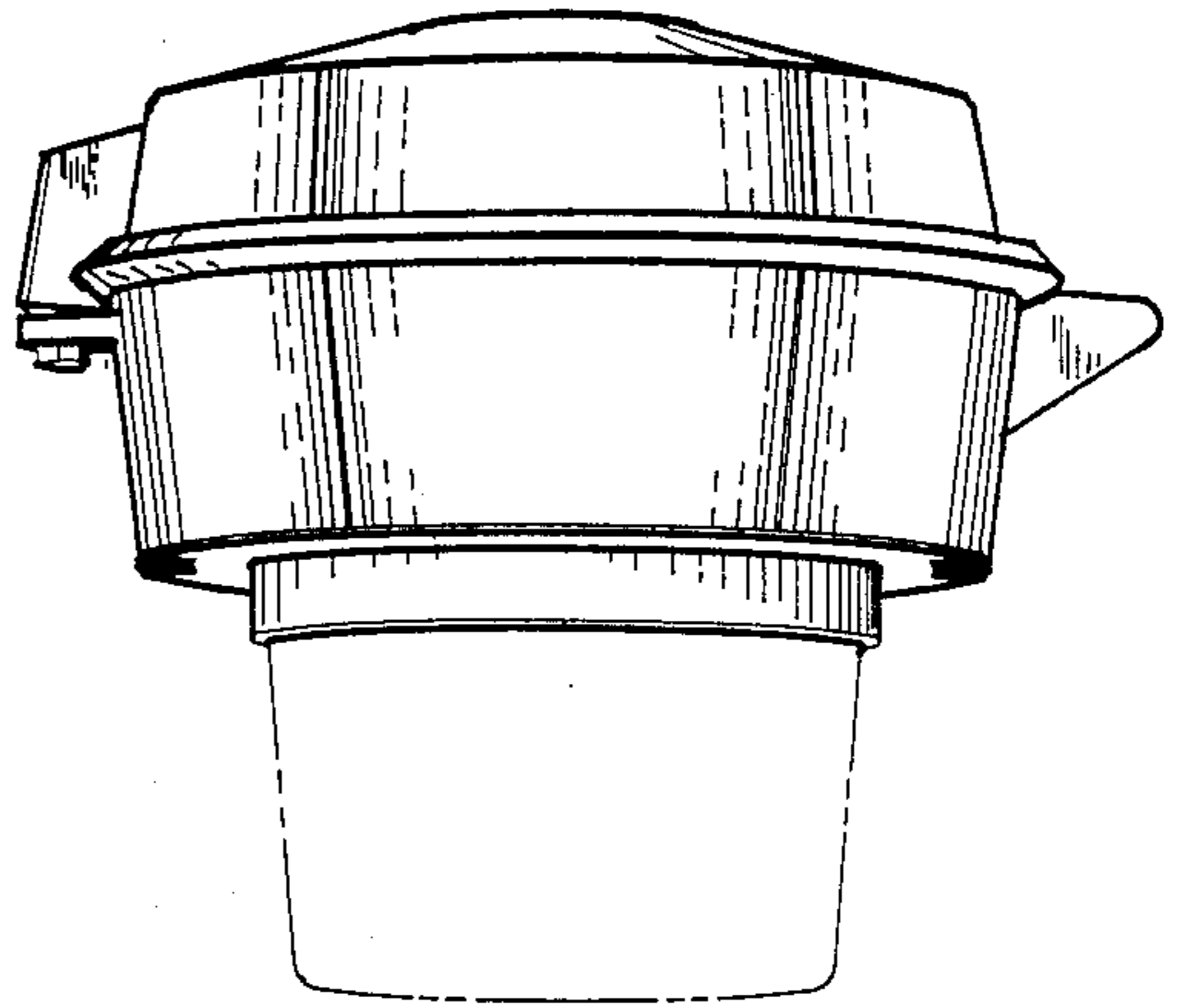


Fig. 1

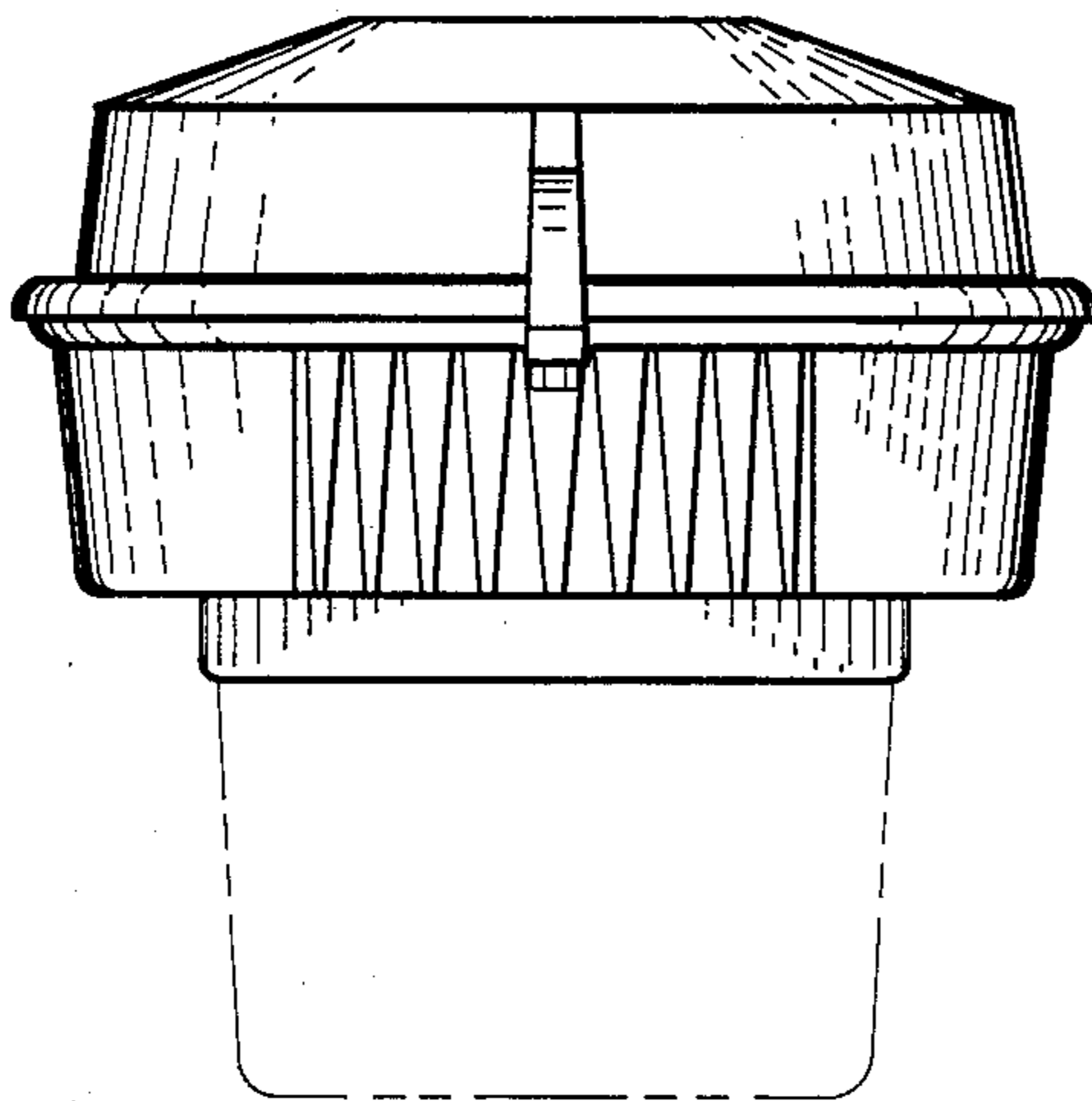


Fig. 3

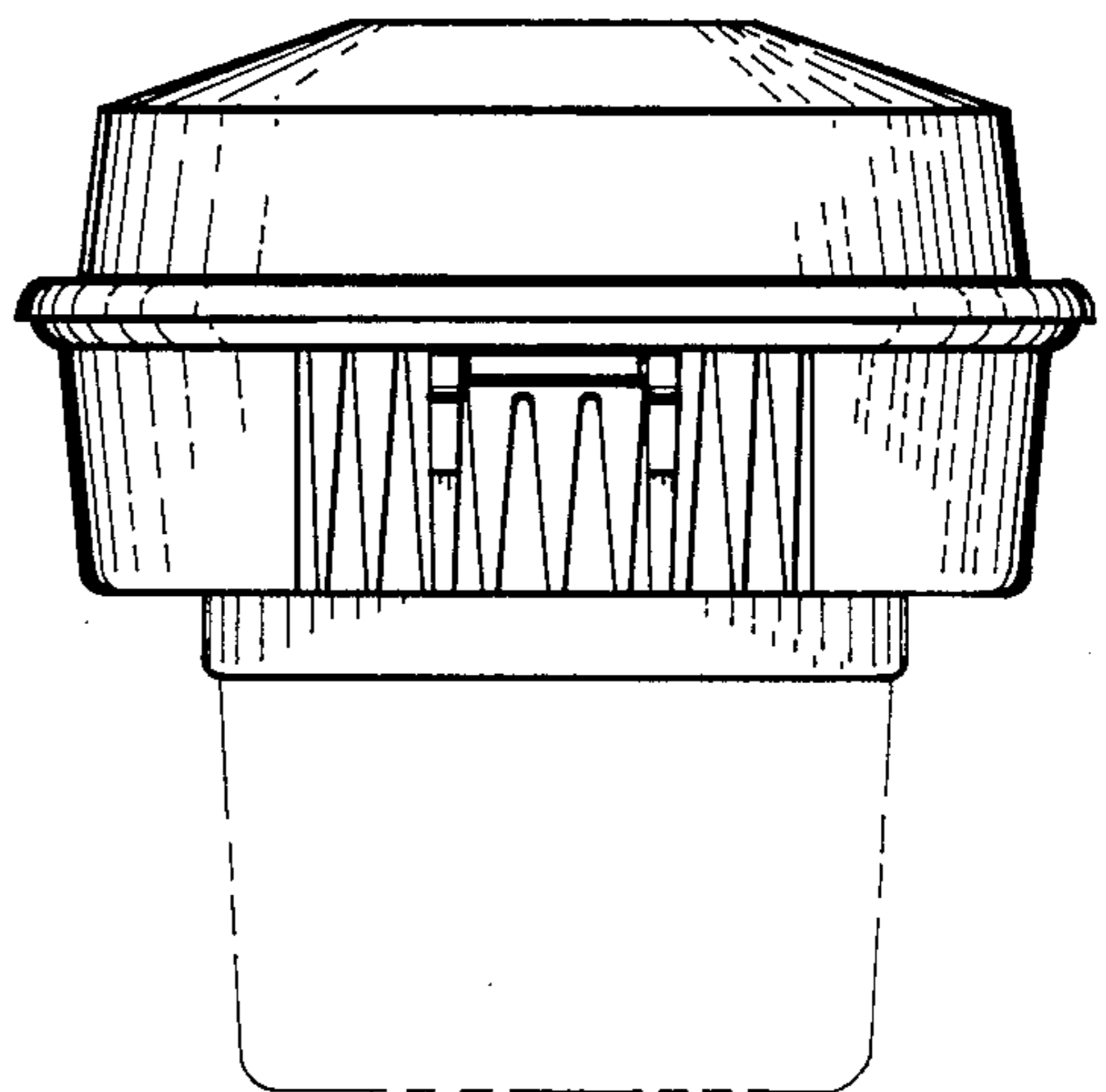


Fig. 4

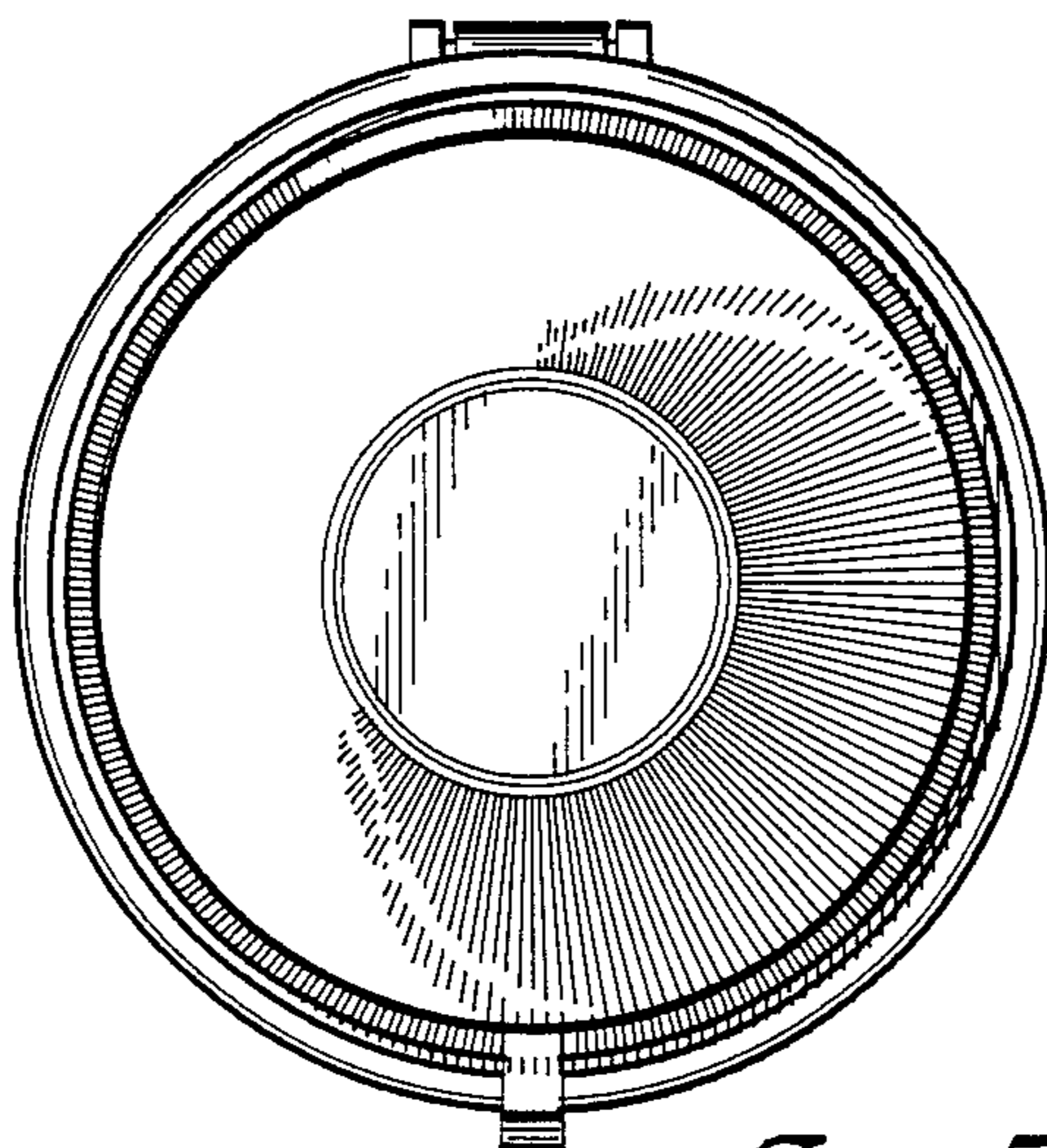


Fig. 5

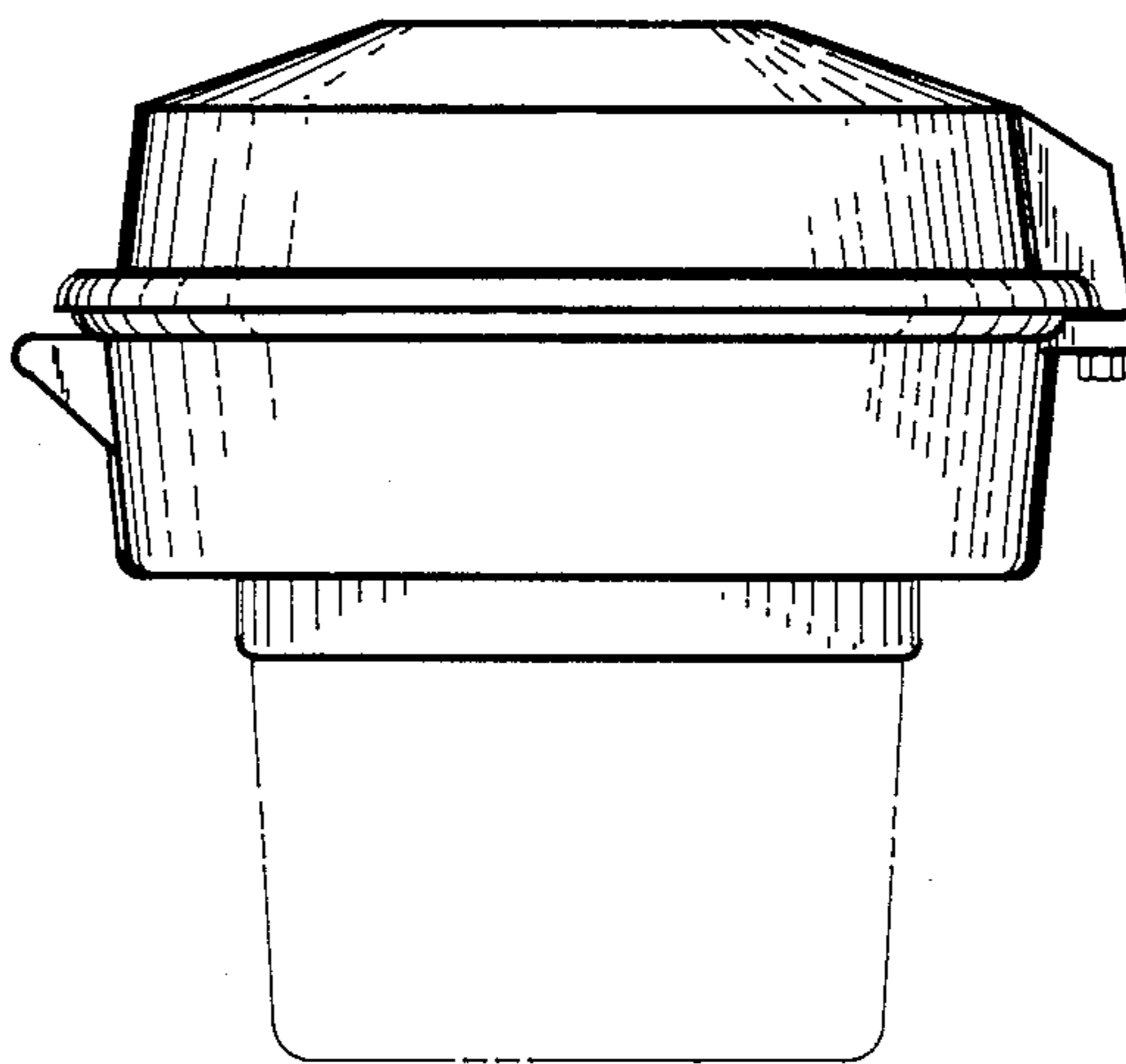


Fig. 6