

United States Patent [19]
Peddie

[11] **Patent Number: Des. 300,467**
[45] **Date of Patent: ** Mar. 28, 1989**

[54] **WOODEN RAIL FENCE**
[76] **Inventor: Malone Peddie, Rte. 1, Box 2,
Hosford, Fla. 32334**
[**] **Term: 14 Years**
[21] **Appl. No.: 781,807**
[22] **Filed: Sep. 30, 1985**
[52] **U.S. Cl. D25/42**
[58] **Field of Search D25/38, 42, 43, 44,
D25/126; 256/59, 65, 32**

3,104,866 9/1963 MacDonald D25/126 X
3,921,960 11/1975 Bright 256/65
4,142,711 3/1979 Brimhall 256/65

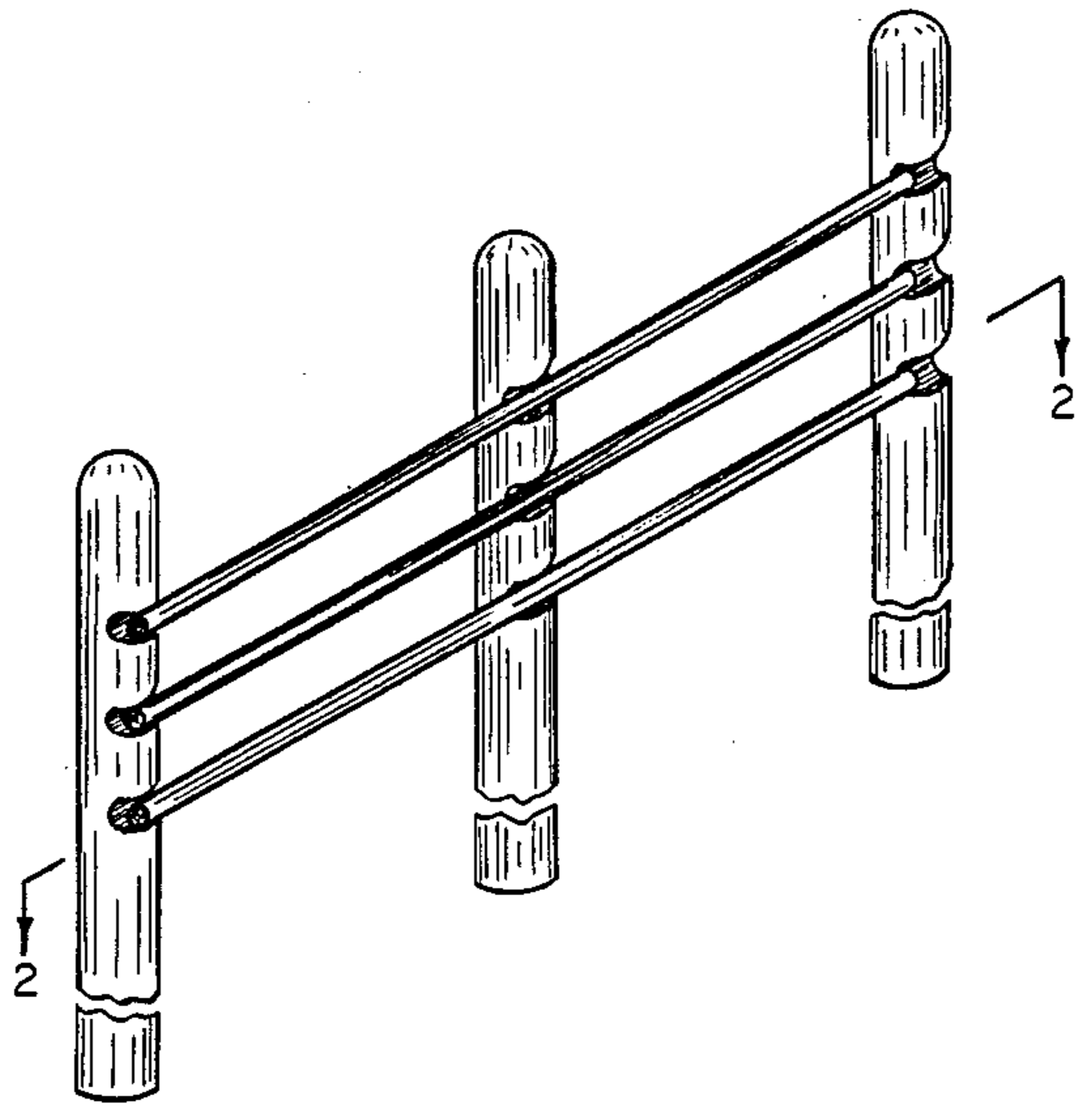
Primary Examiner—A. Hugo Word
Attorney, Agent, or Firm—Norman B. Rainer

[57] **CLAIM**
The ornamental design for a wooden rail fence, as shown and described.

[56] **References Cited**
U.S. PATENT DOCUMENTS
192,276 6/1877 Paisley 256/32

DESCRIPTION

FIG. 1 is a front perspective view of a section of a wooden rail fence showing my new design;
FIG. 2 is horizontal sectional view thereof, taken along line 2—2 of FIG. 1;
FIG. 3 is a vertical sectional view thereof, taken along the line 3—3 of FIG. 2.



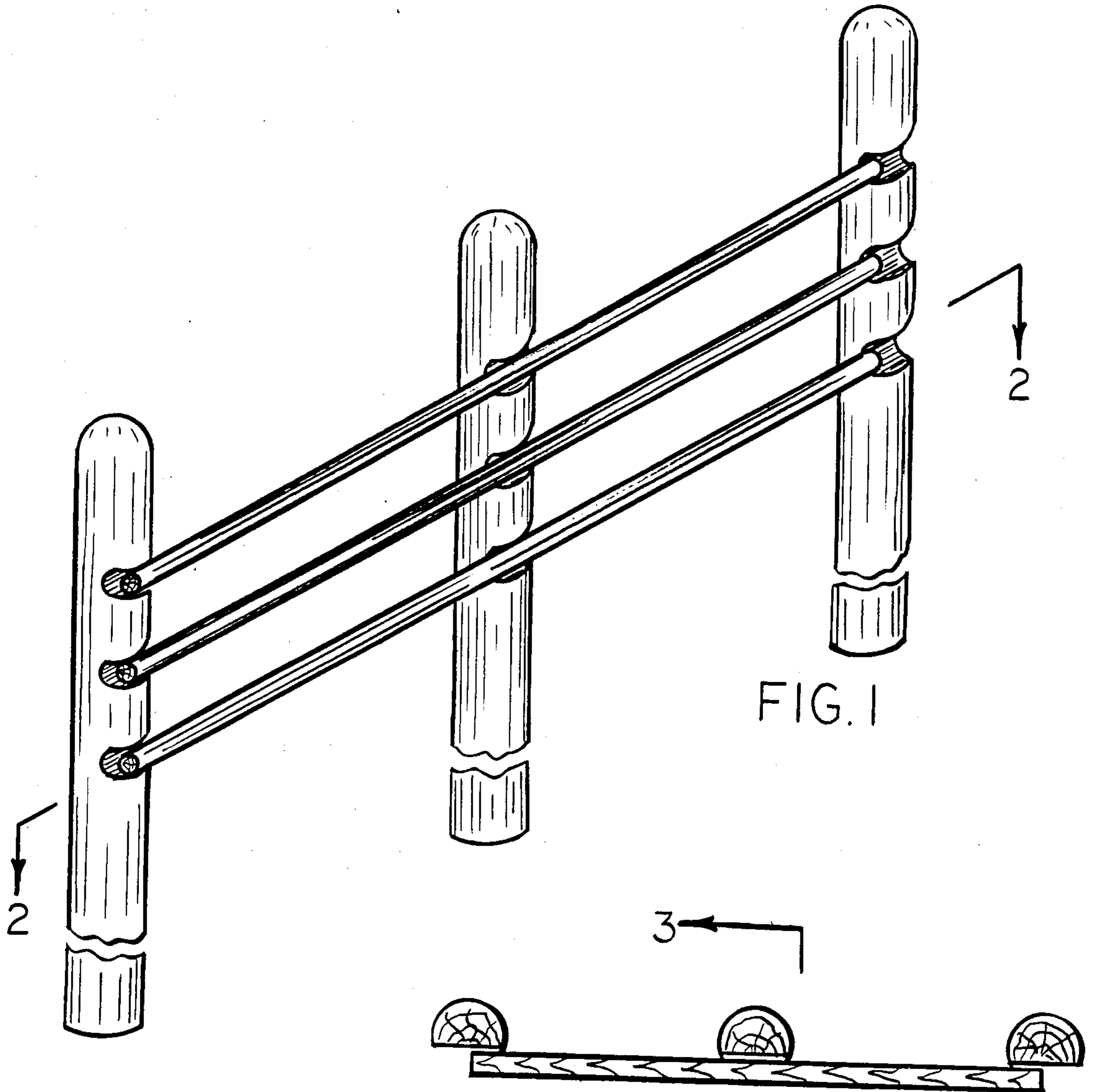


FIG. 1

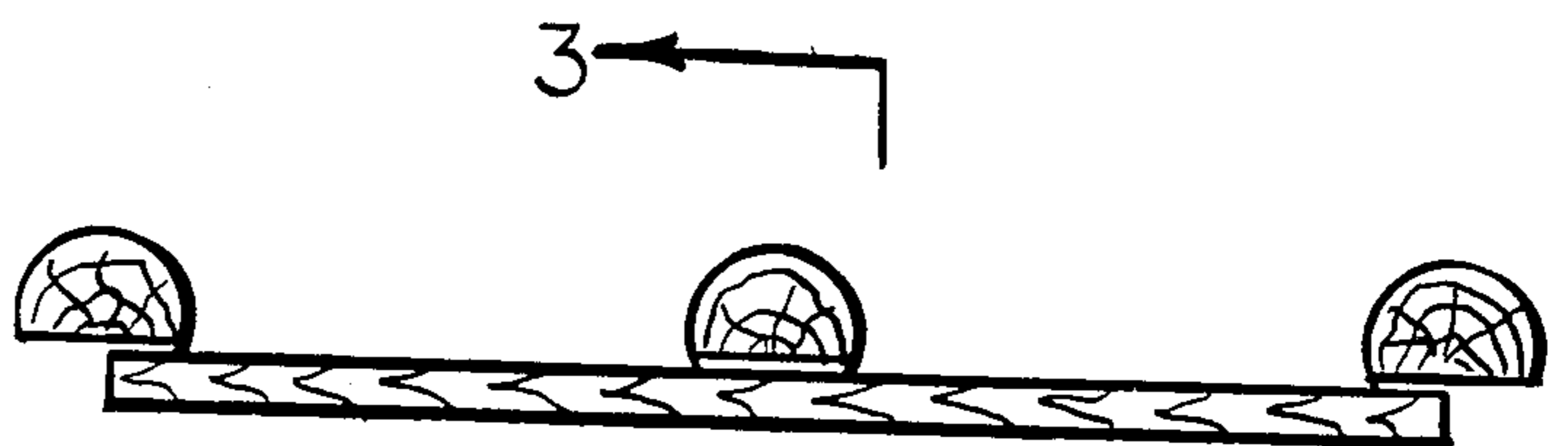


FIG. 2

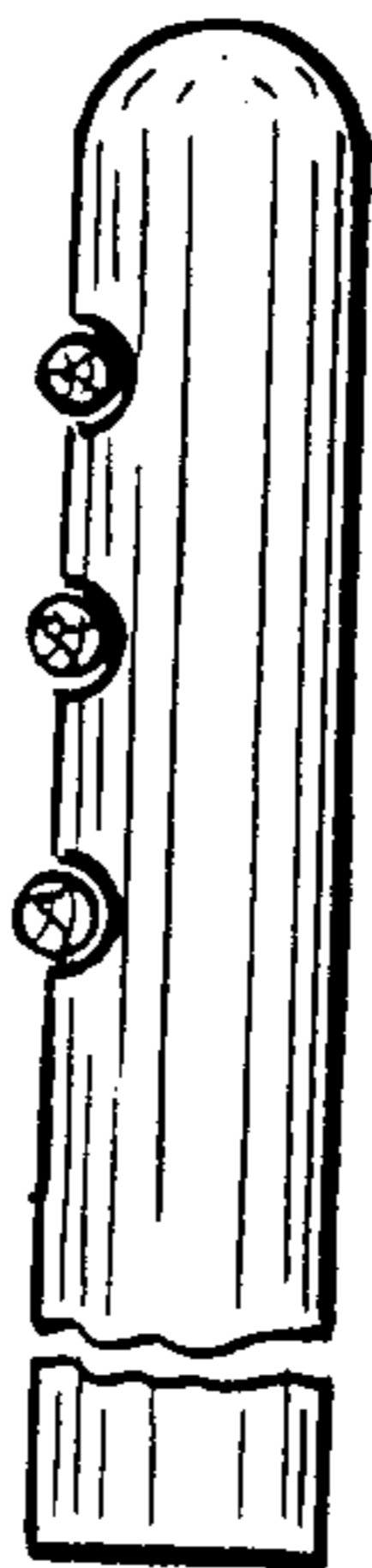


FIG. 3