

[54] DECORATIVE MOLDING FOR RETAINER FLANGE

[75] Inventor: John D. Nicholas, Lawrenceville, Ga.

[73] Assignee: MM Systems Corporation, Tucker, Ga.

[**] Term: 14 Years

[21] Appl. No.: 934,325

[22] Filed: Nov. 24, 1986

[52] U.S. Cl. D25/119

[58] Field of Search D25/119-125; 52/288, 716, 717; 49/413, 419, 475, 501, 504, DIG. 2

[56] References Cited

U.S. PATENT DOCUMENTS

- D. 252,285 7/1979 Brockway D25/119
- D. 274,267 6/1984 Cushing D25/124
- D. 283,295 4/1986 Bancroft D25/119 X
- 4,512,127 4/1985 Attaway 52/288

OTHER PUBLICATIONS

MM Systems Corporation Dura-Trim catalog No. 27D, "Plaster & Drywall Moldings," pp. 3-5 and 7-9.

Primary Examiner—A. Hugo Word

Attorney, Agent, or Firm—Jones, Askew & Lunsford

[57] CLAIM

The ornamental design for a decorative molding for retainer flange, as shown and described.

DESCRIPTION

FIG. 1 is a perspective view of a decorative molding for retainer flange according to my new design.

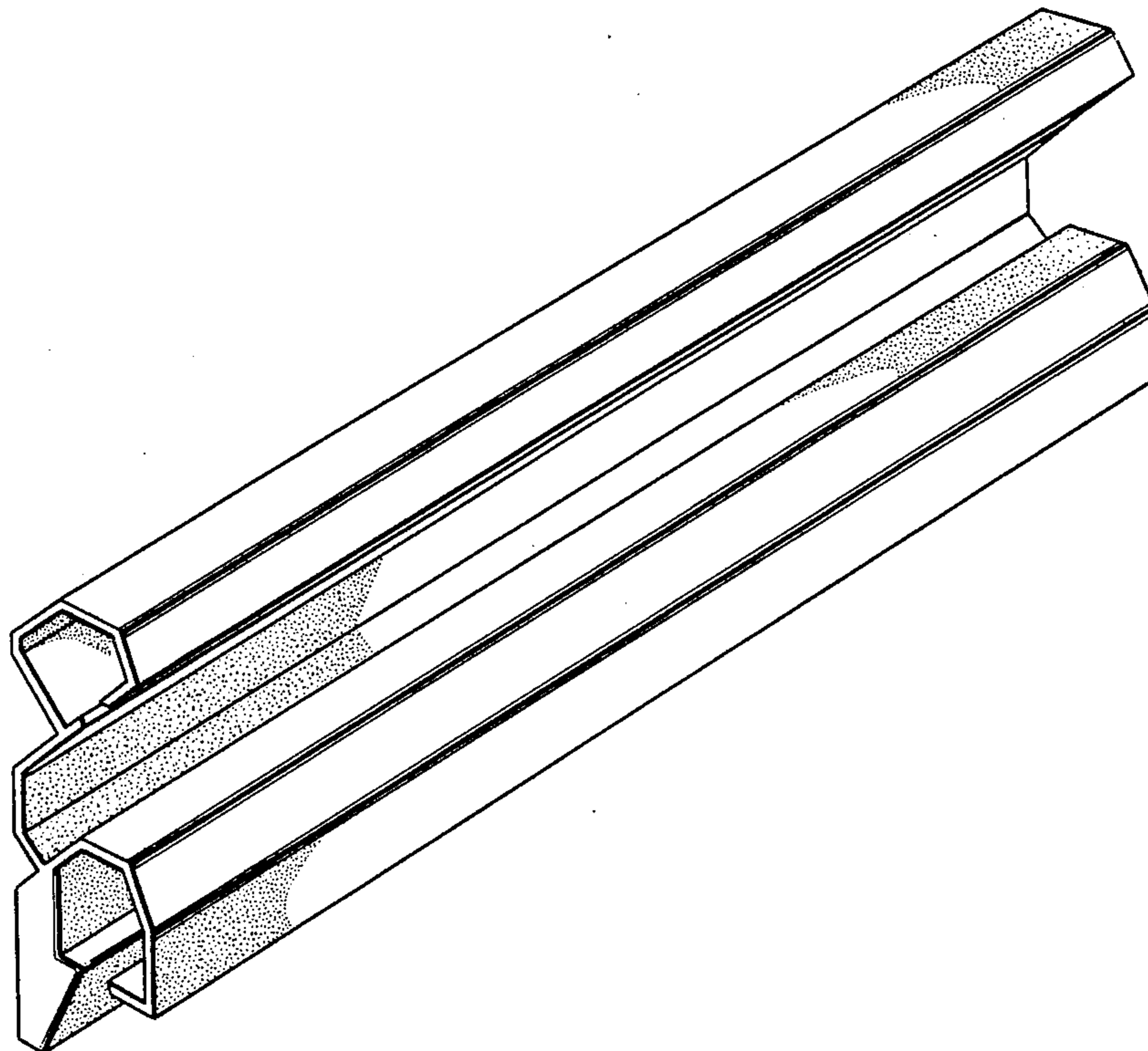
FIG. 2 is a front view of the decorative molding for retainer flange of FIG. 1.

FIG. 3 is a top view of the decorative molding for retainer flange of FIG. 1.

FIG. 4 is a right side view of the decorative molding for retainer flange of FIG. 1, the left side view being a mirror image of the right side view.

FIG. 5 is a bottom view of the decorative molding for retainer flange of FIG. 1.

FIG. 6 is a rear view of the decorative molding for retainer flange of FIG. 1.



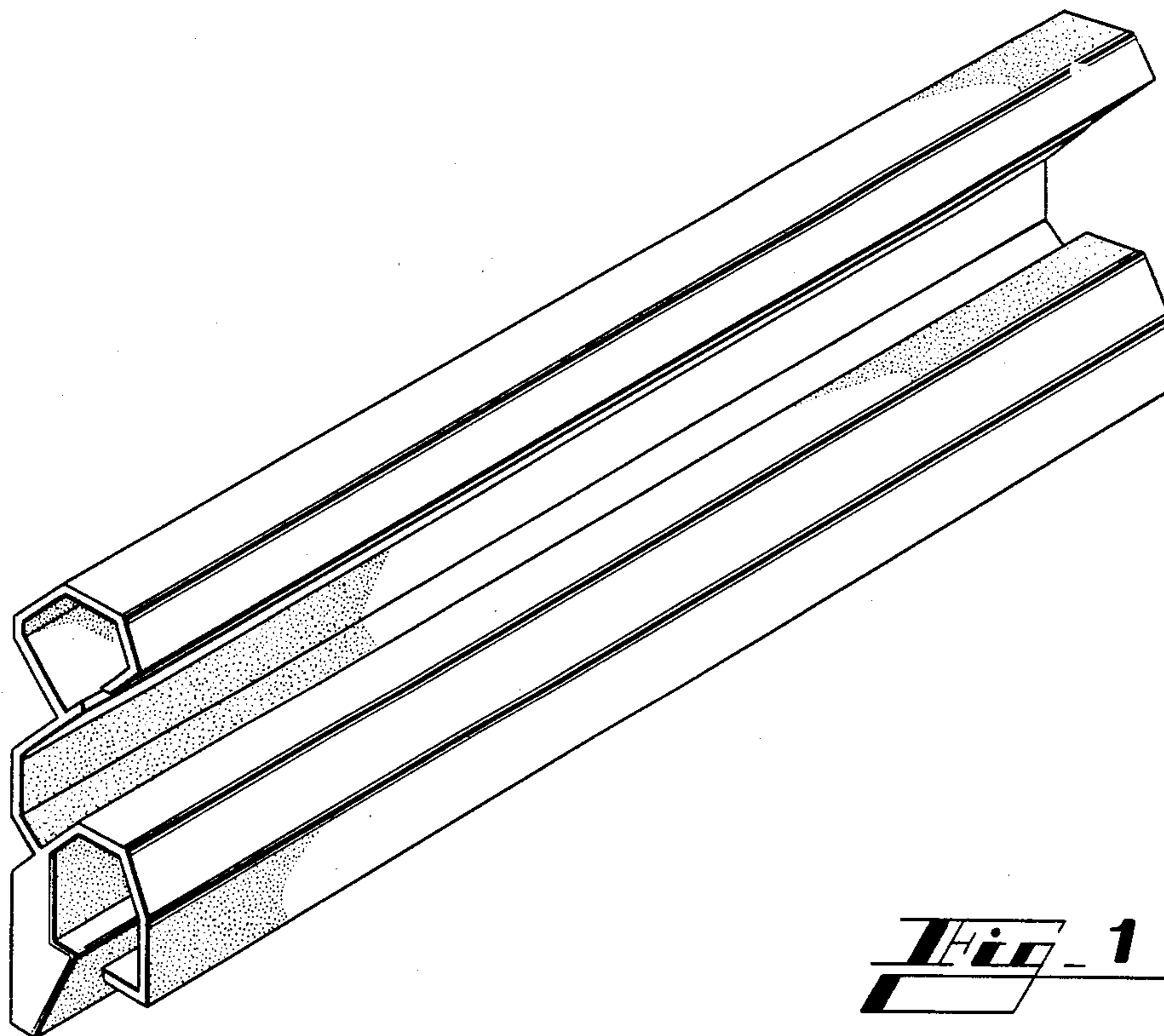


Fig. 1

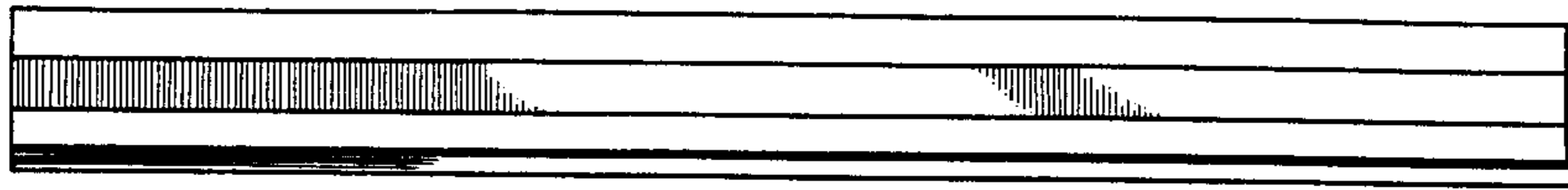


Fig. 3

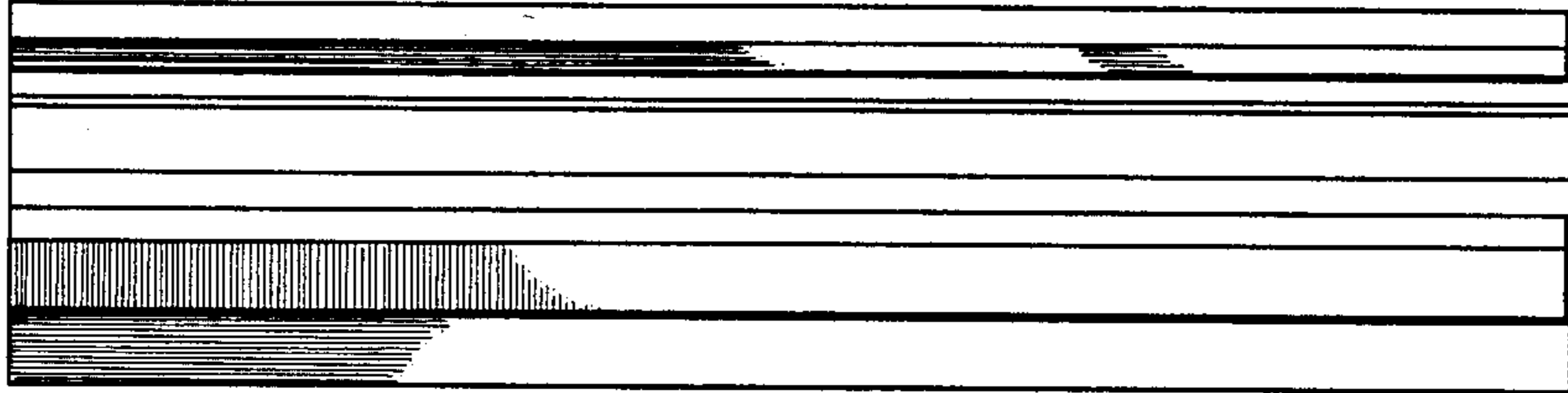


Fig. 2

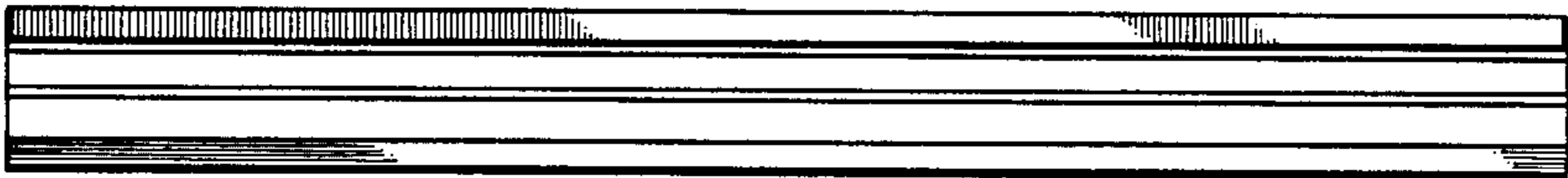


Fig. 5

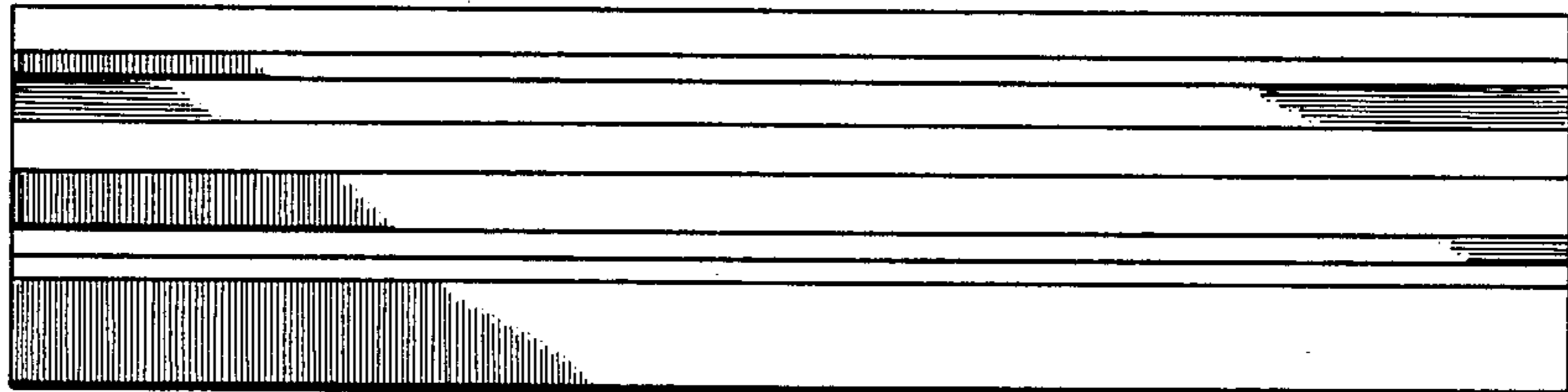


Fig. 6

Fig. 4

