

[54] DIAGNOSTIC TESTER FOR BIOLOGICAL FLUIDS

[75] Inventors: Edward M. Nemec; Miles G. Hossom, both of Duluth; David L. Marshall, Norcross, all of Ga.

[73] Assignee: Murex Corporation, Norcross, Ga.

[**] Term: 14 Years

[21] Appl. No.: 880,486

[22] Filed: Jun. 30, 1986

[52] U.S. Cl. D24/17; D24/8

[58] Field of Search D24/17, 8; 435/7, 34, 435/179, 28.7, 288, 291; 436/170, 44, 65, 500, 514, 518, 814, 818, 906; 422/101, 102, 61; 210/445, 477; D10/97, 46, 81

[56] References Cited

U.S. PATENT DOCUMENTS

3,415,361	12/1968	Adams, Jr. et al.	436/814 X
4,181,500	1/1980	Cowsar et al.	436/170 X
4,246,339	1/1981	Cole et al.	D24/31 X
4,742,011	5/1988	Blake et al.	436/818 X

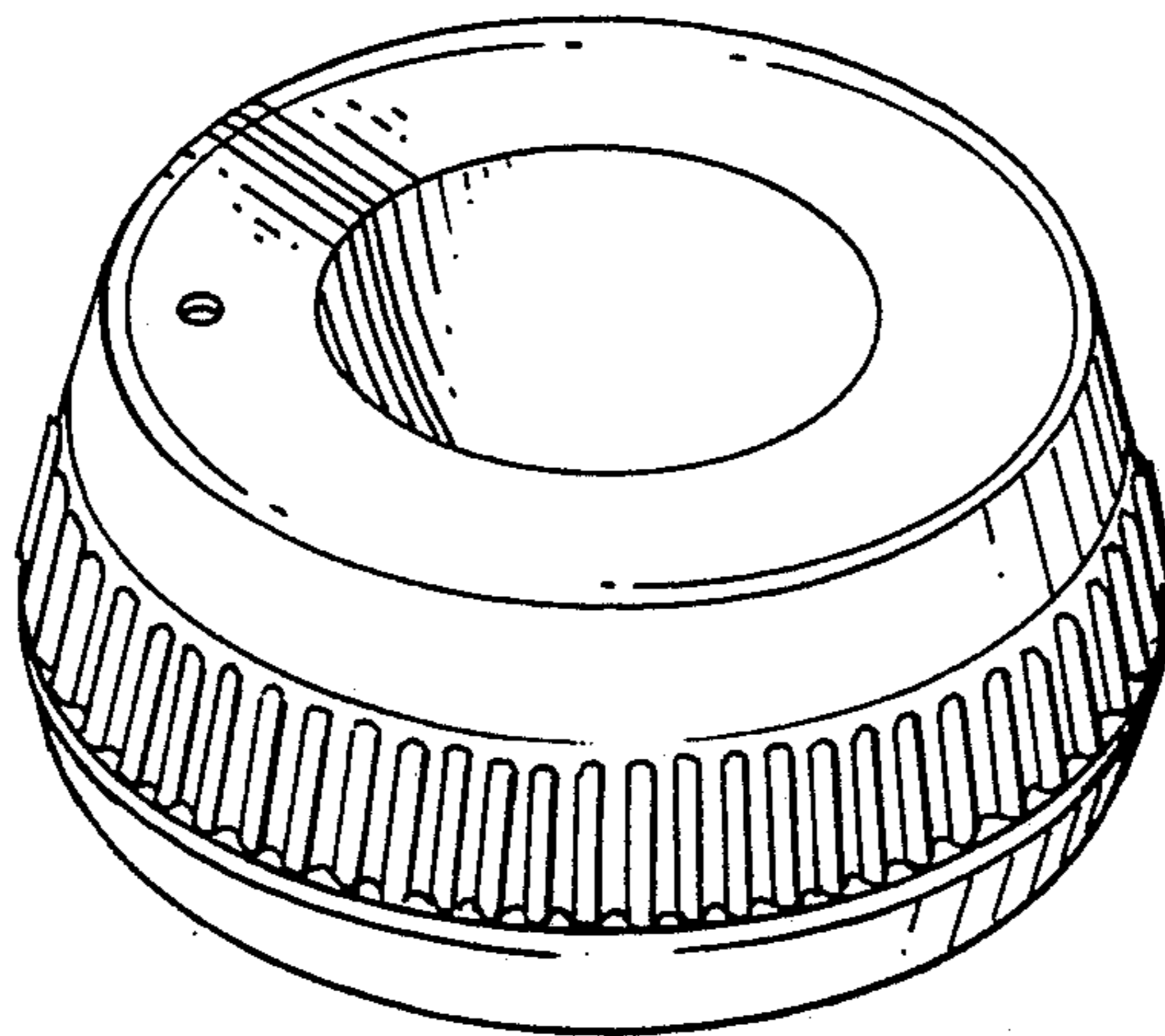
Primary Examiner—Wallace R. Burke
Assistant Examiner—Stella M. Reid
Attorney, Agent, or Firm—Sigalos, Levine & Montgomery

[57] CLAIM

The ornamental design for a diagnostic tester for biological fluids, as shown.

DESCRIPTION

FIG. 1 is a perspective view of a diagnostic tester for biological fluids showing our new design; FIG. 2 is a top plan view thereof; FIG. 3 is a bottom plan view thereof; and FIG. 4 is a side elevational view thereof, the opposite side being a mirror image.



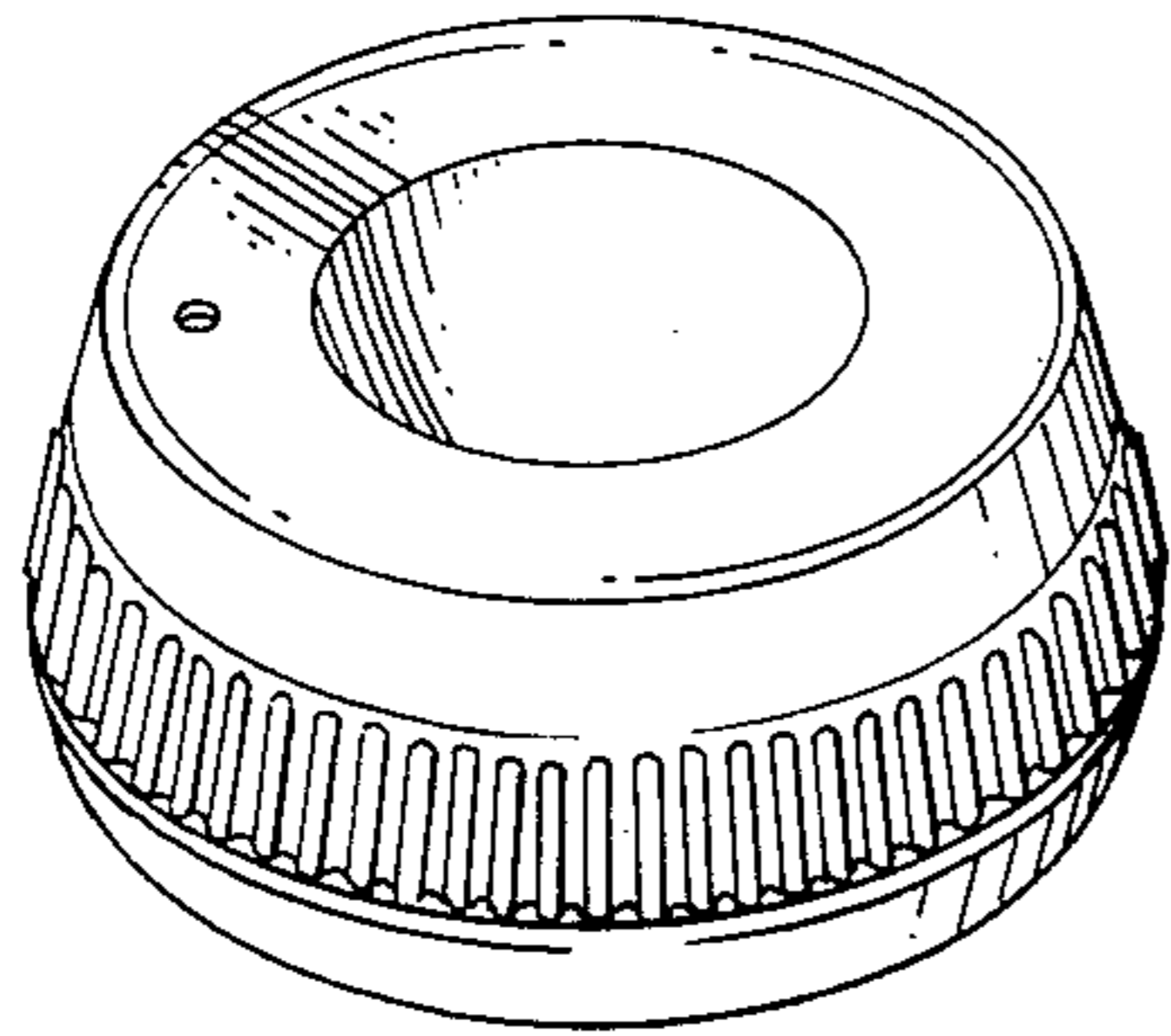


FIG. 1

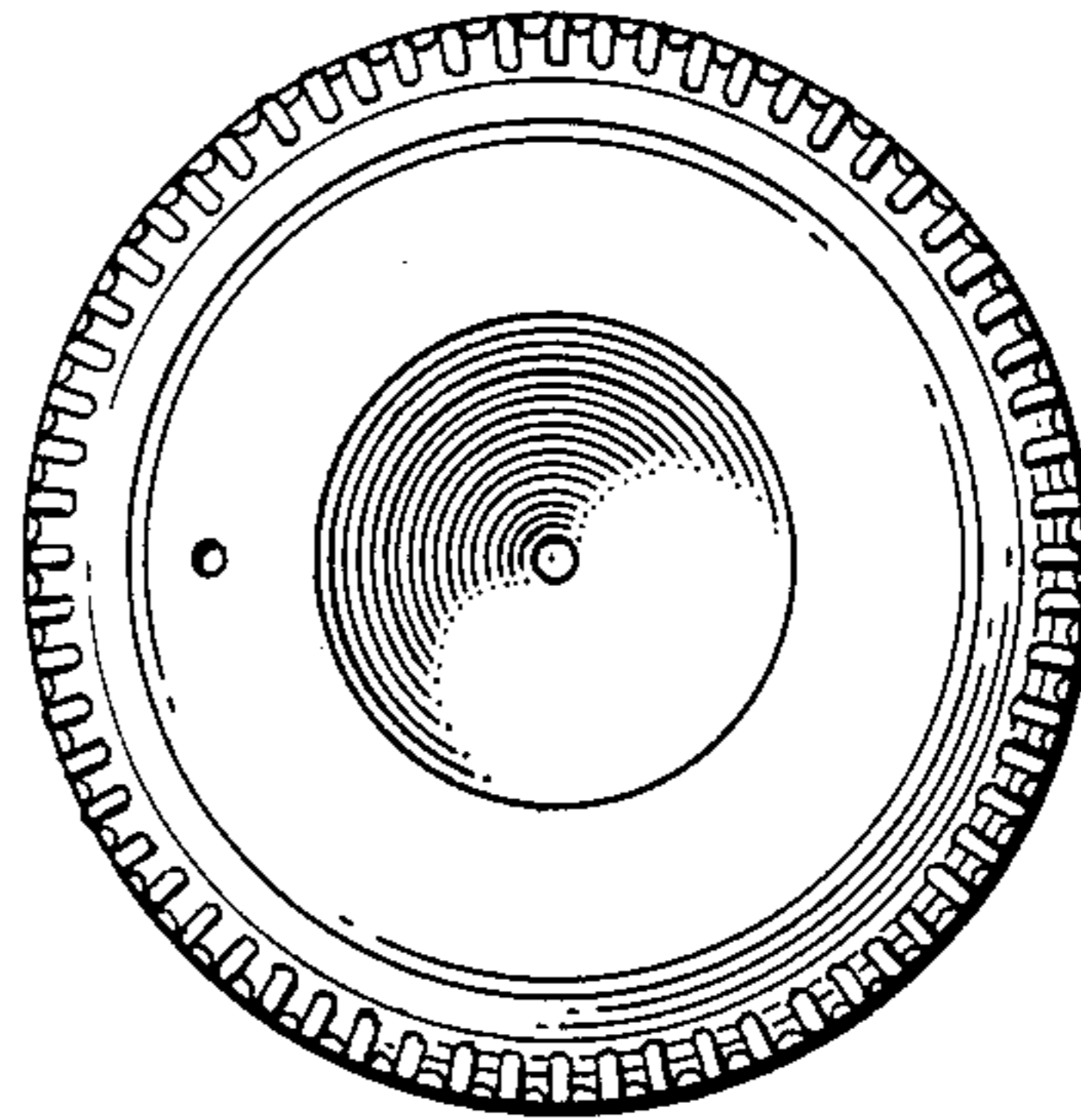


FIG. 2

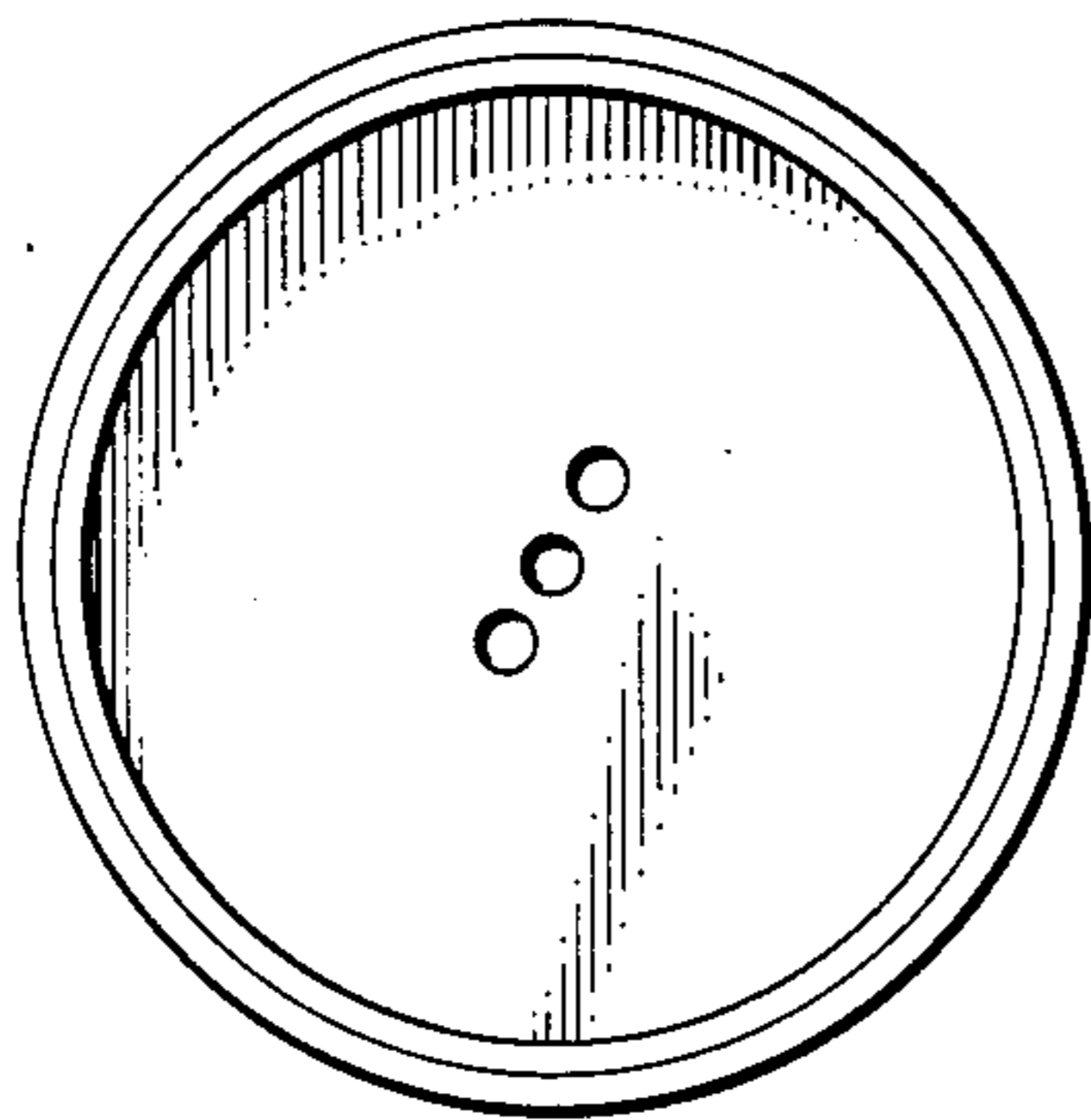


FIG. 3

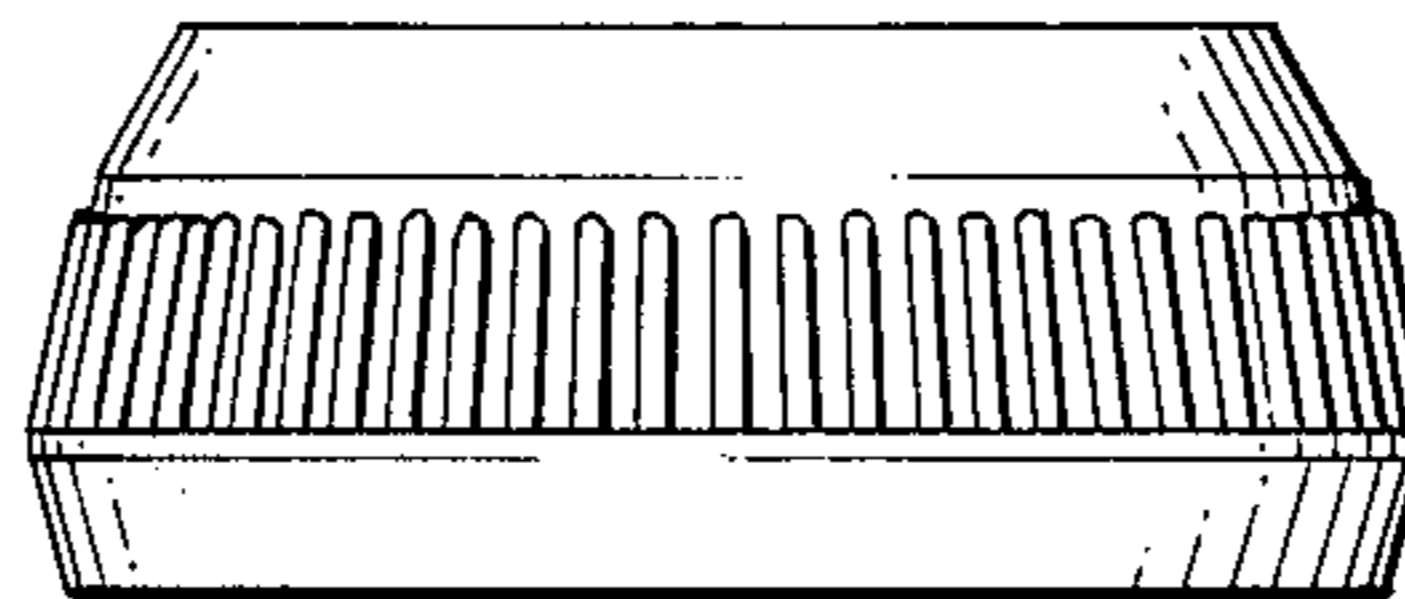


FIG. 4