

United States Patent [19]

English et al.

[11] Patent Number: Des. 300,462

[45] Date of Patent: ** Mar. 28, 1989

[54] PREMATURE INFANT PACIFIER

[75] Inventors: Walter L. English, Reynoldsburg;
Steven B. Cherry, Columbus, both of
Ohio

[73] Assignee: Abbott Laboratories, North Chicago,
Ill.

[**] Term: 14 Years

[21] Appl. No.: 916,690

[22] Filed: Oct. 8, 1986

[52] U.S. Cl. D24/45; D24/46

[58] Field of Search D24/45, 46; 128/360,
128/359; 215/11.1-11.6

[56] References Cited

U.S. PATENT DOCUMENTS

D. 262,576 1/1982 Anderson-Shanklin et al. ... D24/46
D. 271,798 12/1983 Araujo, Jr. D24/46

Primary Examiner—Wallace R. Burke

Assistant Examiner—Stella M. Reid

Attorney, Agent, or Firm—D. O. Nickey

[57] CLAIM

The ornamental design for a premature infant pacifier,
as shown and described.

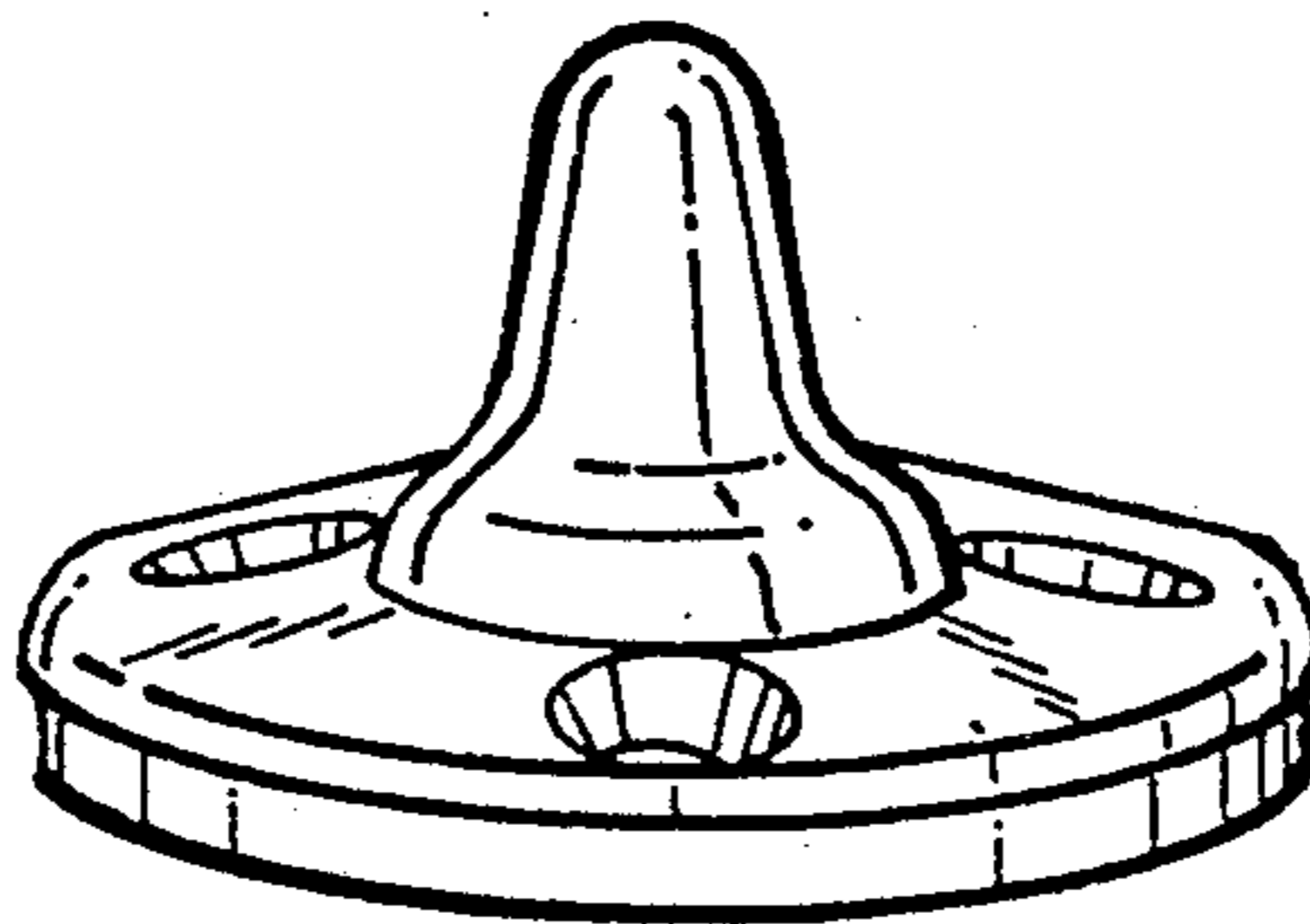
DESCRIPTION

FIG. 1 is a perspective view of a premature infant paci-
fier, showing our new design;

FIG. 2 is a top plan view thereof;

FIG. 3 is a bottom plan view thereof; and

FIG. 4 is a side elevational view thereof.



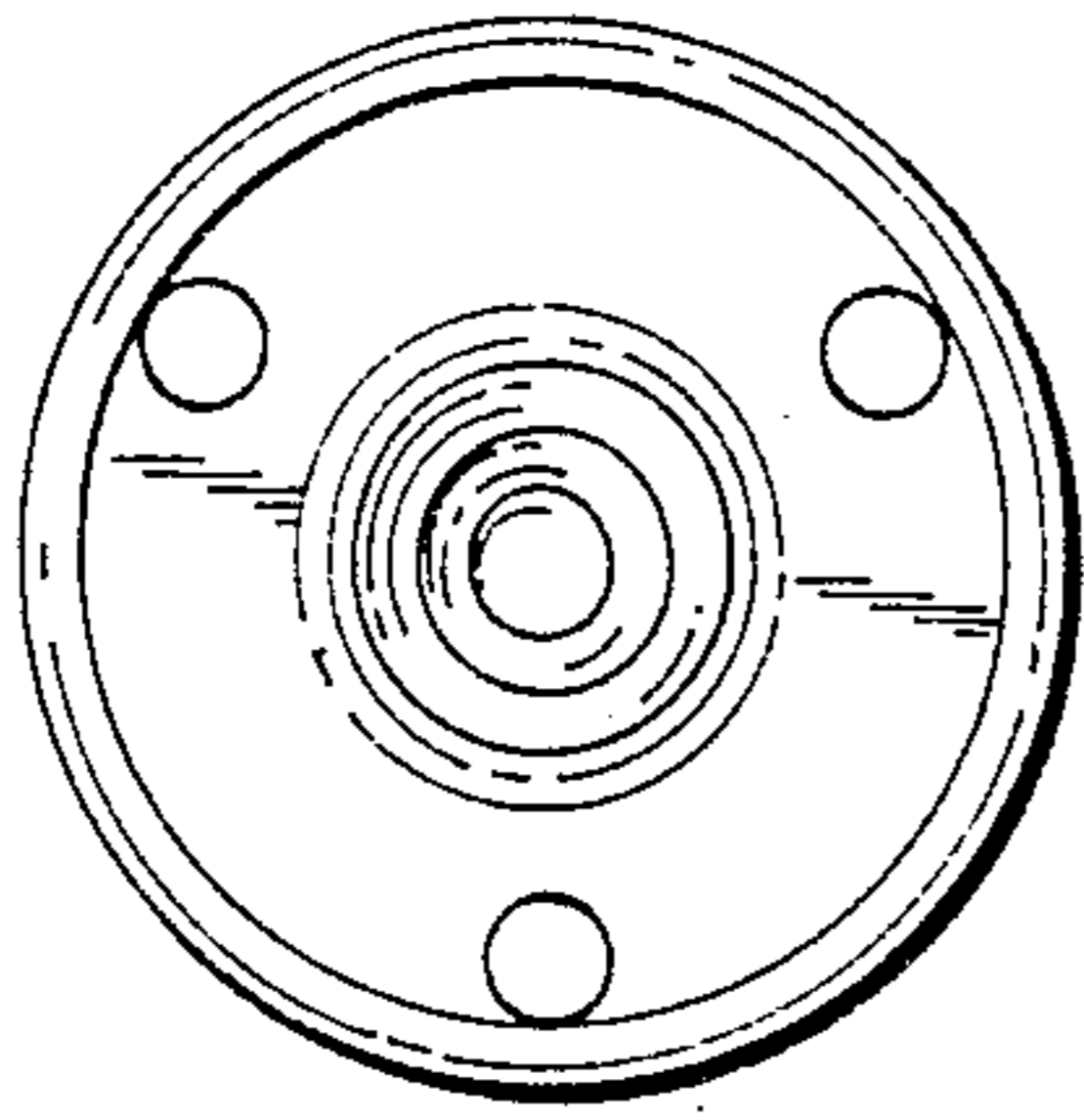


FIG. 3

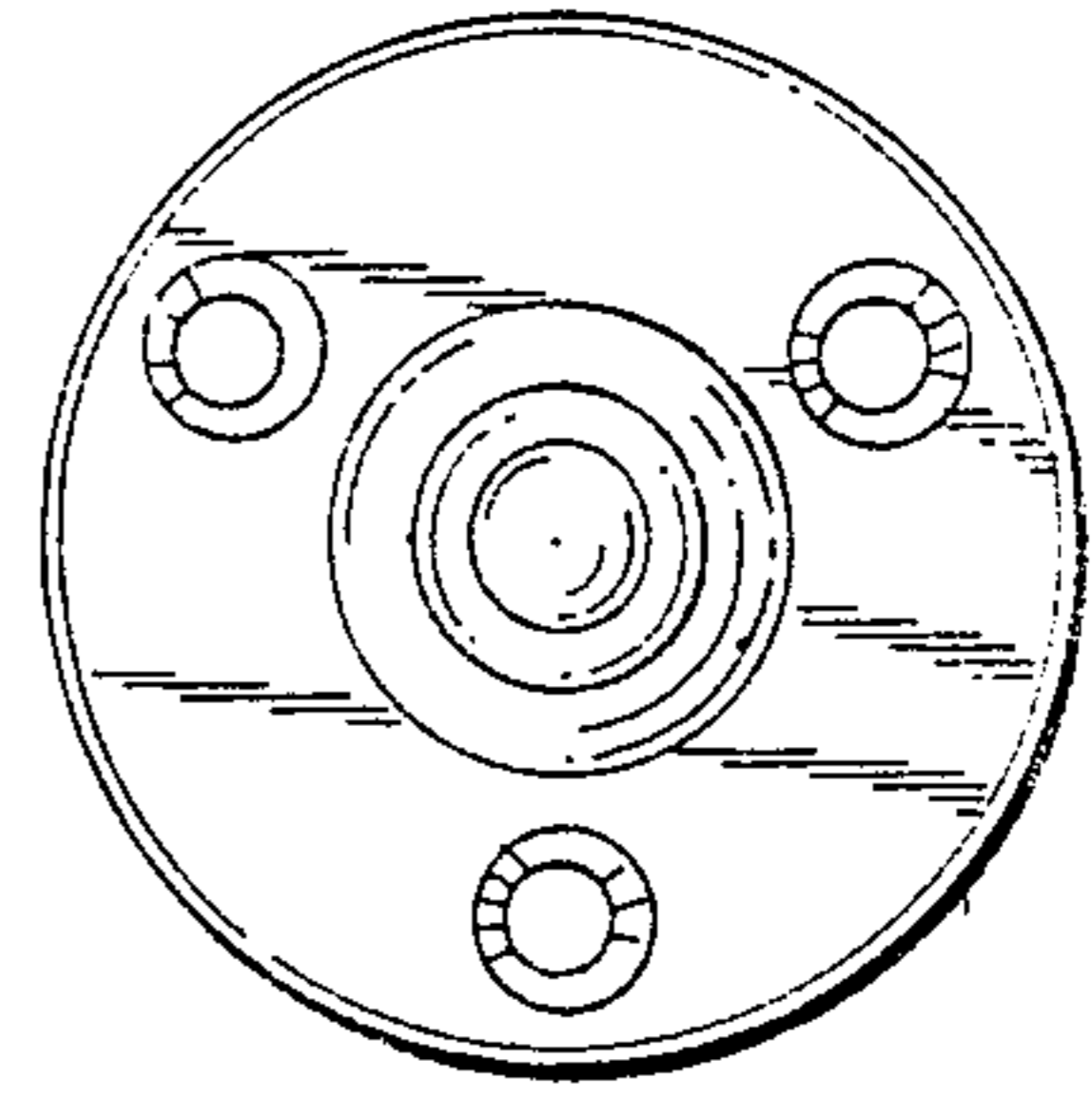


FIG. 2

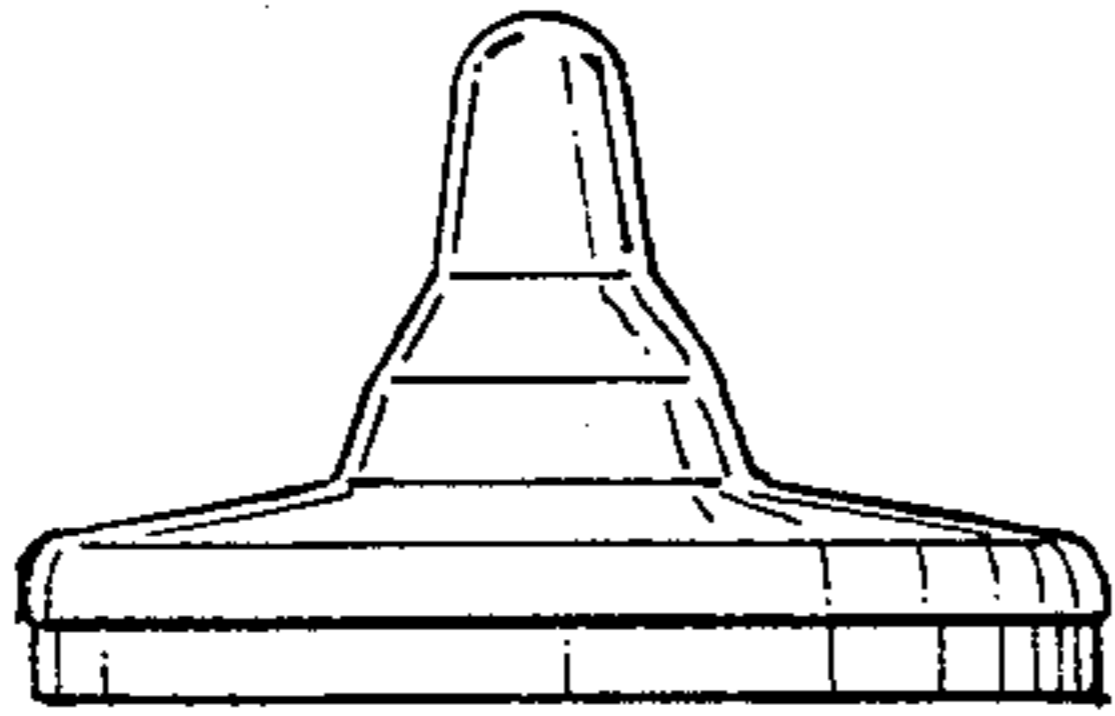


FIG. 4

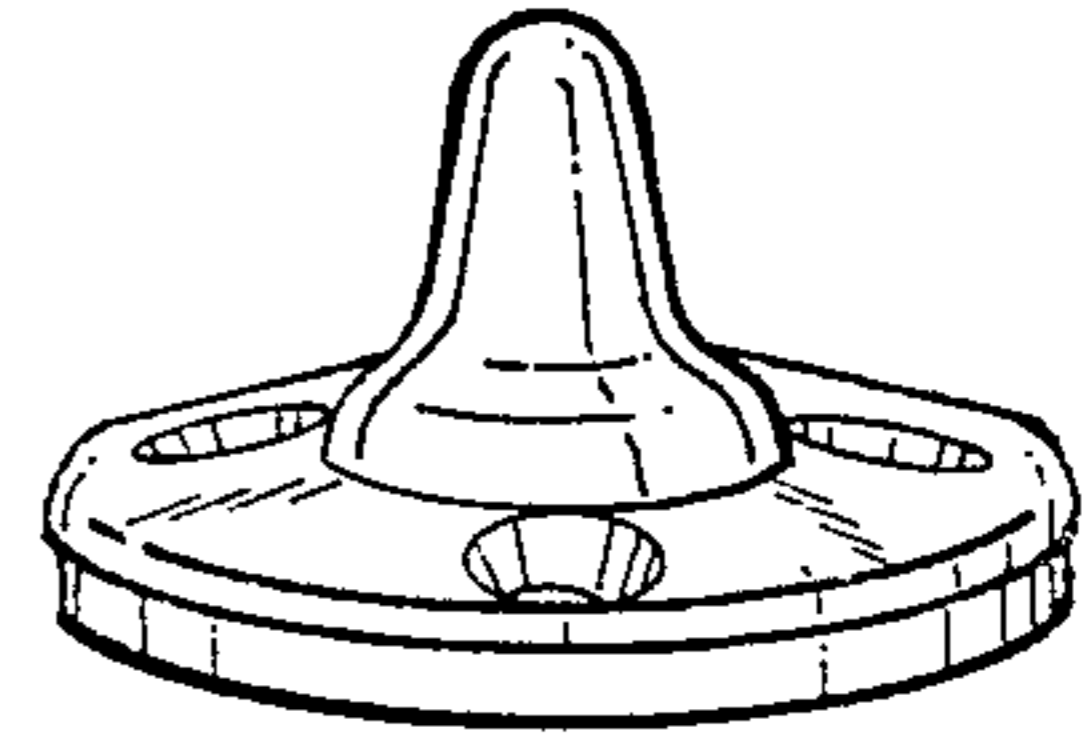


FIG. 1