

[54] FIREPLACE SURROUND

[76] Inventor: Charles P. Becker, Jr., 9614 Mansfield Dr., Olivette, Mo. 63132

[**] Term: 14 Years

[21] Appl. No.: 72,616

[22] Filed: Jul. 13, 1987

[52] U.S. Cl. D23/404

[58] Field of Search D23/314, 343-350, D23/403-406; 126/58, 60-66, 85 R, 126, 138-144, 152, 164-165, 190, 198, 200; 52/36

[56] References Cited

U.S. PATENT DOCUMENTS

D. 7,463	6/1862	Jackson	D23/404
D. 108,009	1/1938	Baum	D23/404
2,210,580	8/1940	Gersten	D23/404 X

OTHER PUBLICATIONS

Heatform Fireplaces brochure (1953) p. 4-Mantel.

Primary Examiner—Wallace R. Burke
Assistant Examiner—Brian N. Vinson
Attorney, Agent, or Firm—Kalish & Gilster

[57] CLAIM

The ornamental design for a fireplace surround, as shown and described.

DESCRIPTION

FIG. 1 is a perspective view of a fireplace surround showing my new design;
FIG. 2 is a right side elevational view thereof, the left side being a mirror image of that shown;
FIG. 3 is a top plan view thereof;
FIG. 4 is a bottom plan view thereof; and
FIG. 5 is a rear elevational view thereof.

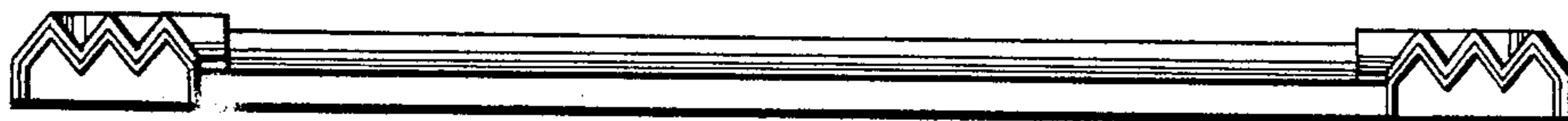
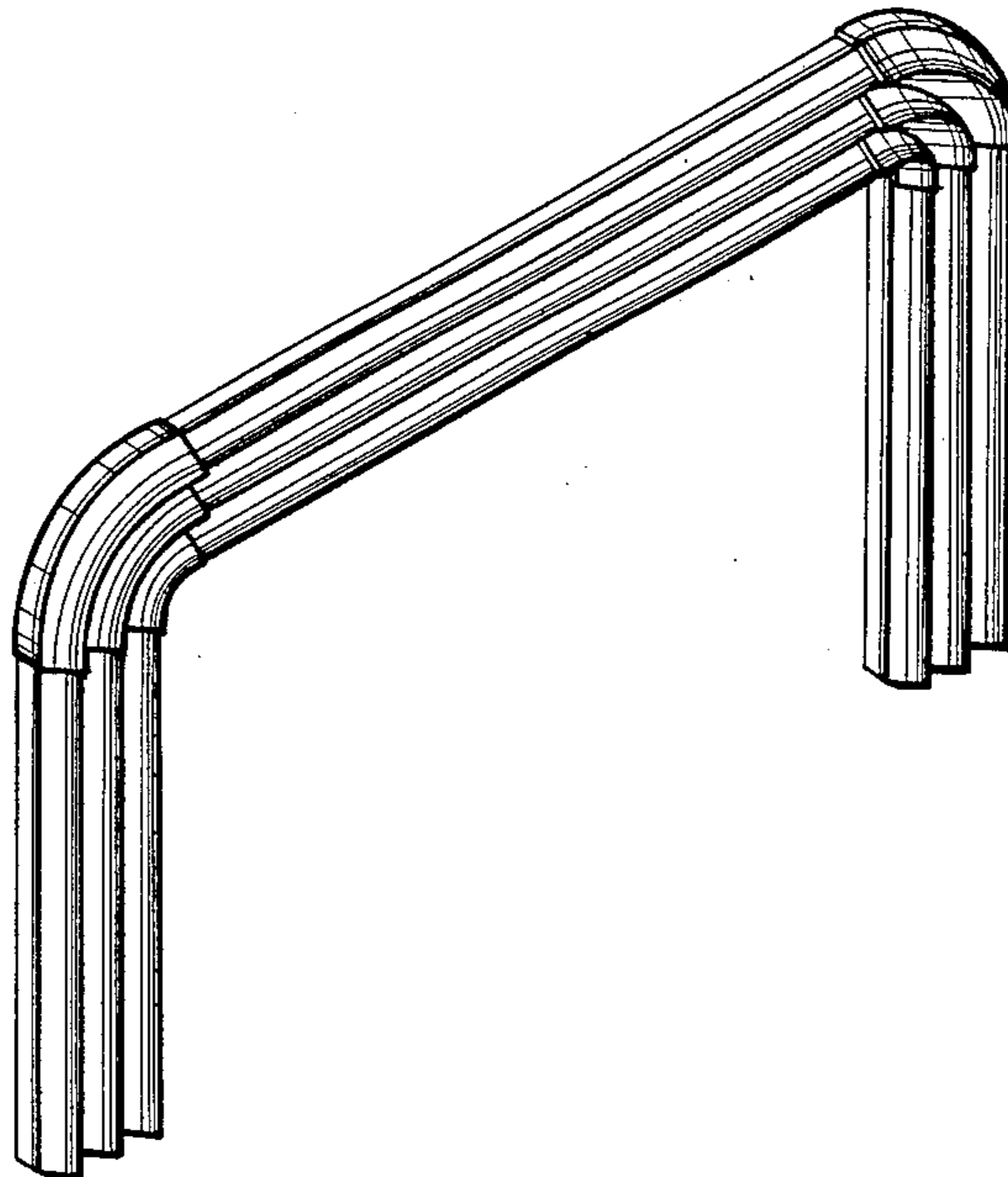


FIG. 1

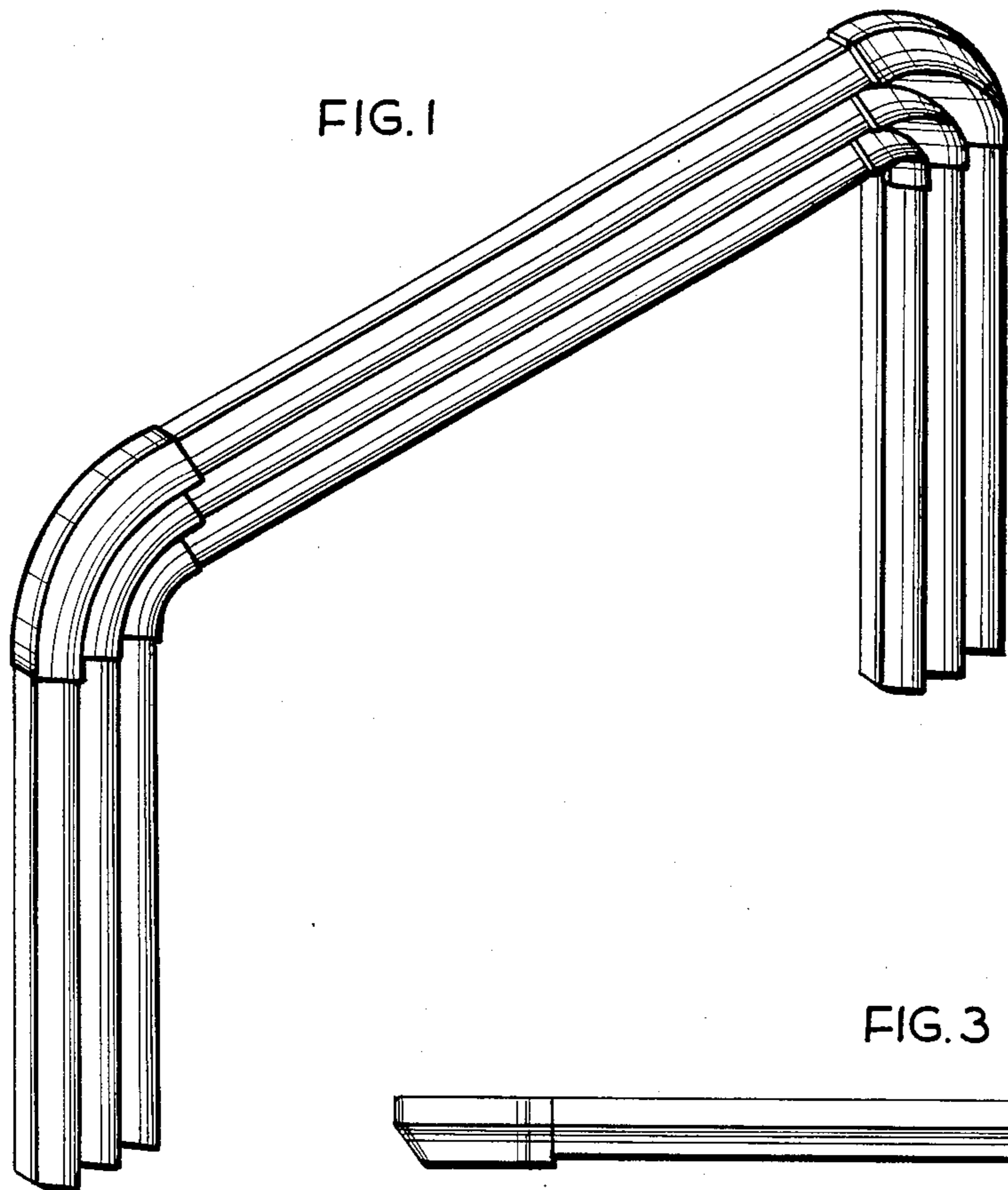


FIG. 2



FIG. 3

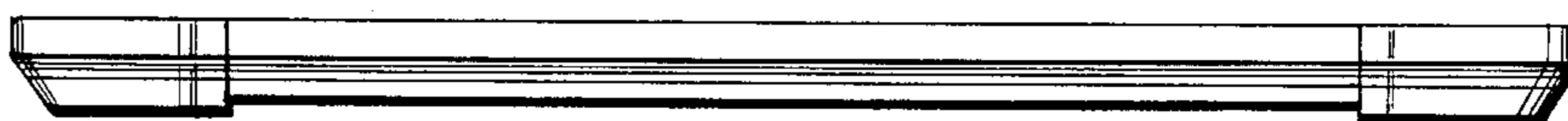


FIG. 4



FIG. 5

