

[54] **FIREPLACE INSERT SMOKE PIPE CONNECTOR**

[76] **Inventor: Thomas E. Buehler, 5582 Imperia La., Clay, N.Y. 13041**

[**] **Term: 14 Years**

[21] **Appl. No.: 710,503**

[22] **Filed: Mar. 11, 1985**

[52] **U.S. Cl. D23/403**

[58] **Field of Search D23/242-350, D23/393, 394, 403; 126/4, 6, 58, 60-66, 120, 121, 123, 126**

[56] **References Cited**

U.S. PATENT DOCUMENTS

D. 263,735 4/1982 Oskwarek D23/403

Primary Examiner—Susan J. Lucas

Attorney, Agent, or Firm—Charles S. McGuire

[57] **CLAIM**

The ornamental design for fireplace insert smoke pipe connector, as shown and described.

DESCRIPTION

FIG. 1 is a front perspective view of a fireplace insert smoke pipe connector showing my new design; FIG. 2 is a top plan view thereof; FIG. 3 is a front elevational view thereof; FIG. 4 is a side elevational view, the opposite side being a mirror image thereof; FIG. 5 is a bottom plan view thereof; FIG. 6 is a rear elevational view thereof; and FIG. 7 is an enlarged front perspective view thereof. The broken line disclosure included in FIG. 1 is for illustrative purposes only and forms no part of the claimed design.

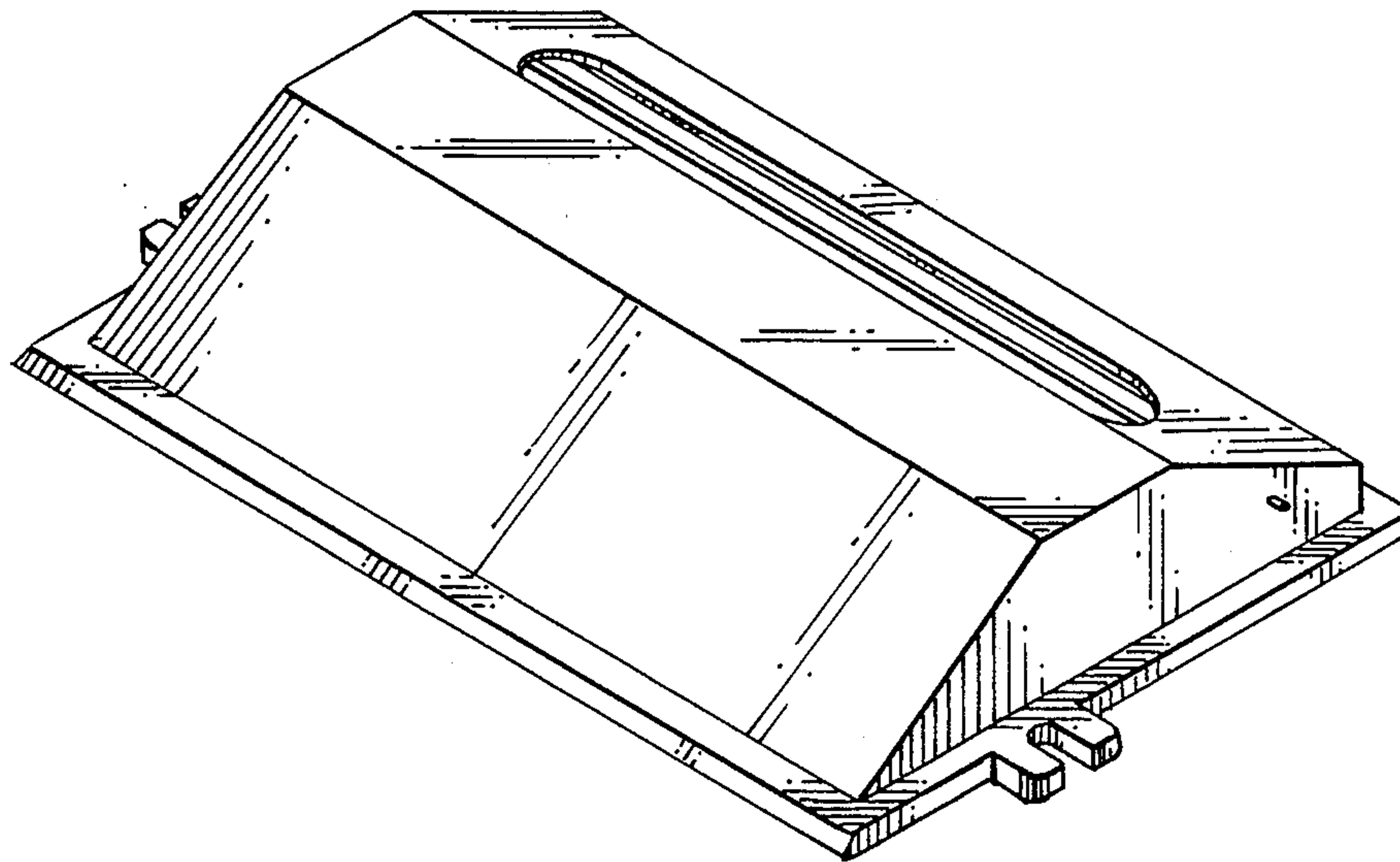


FIG. 1

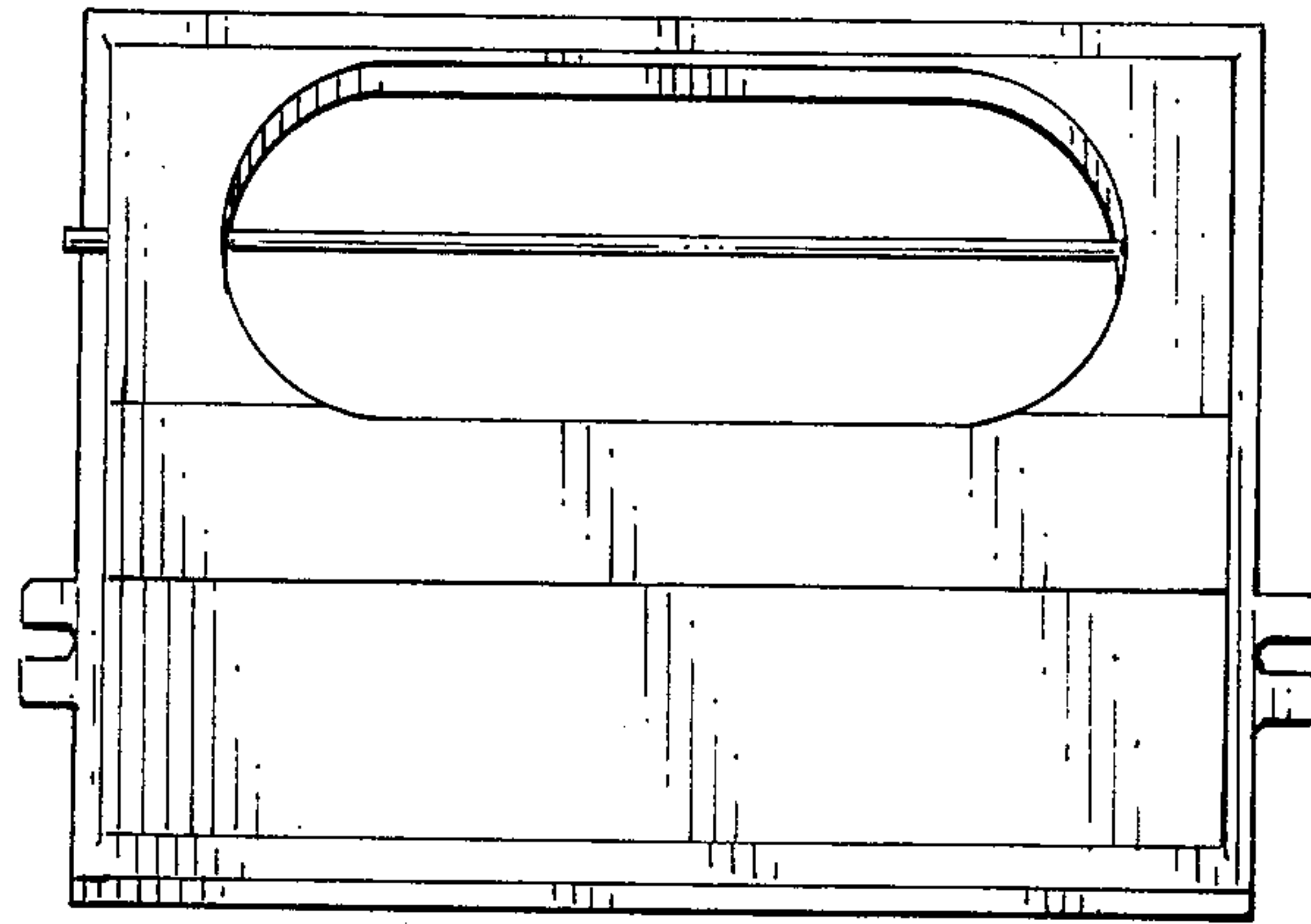
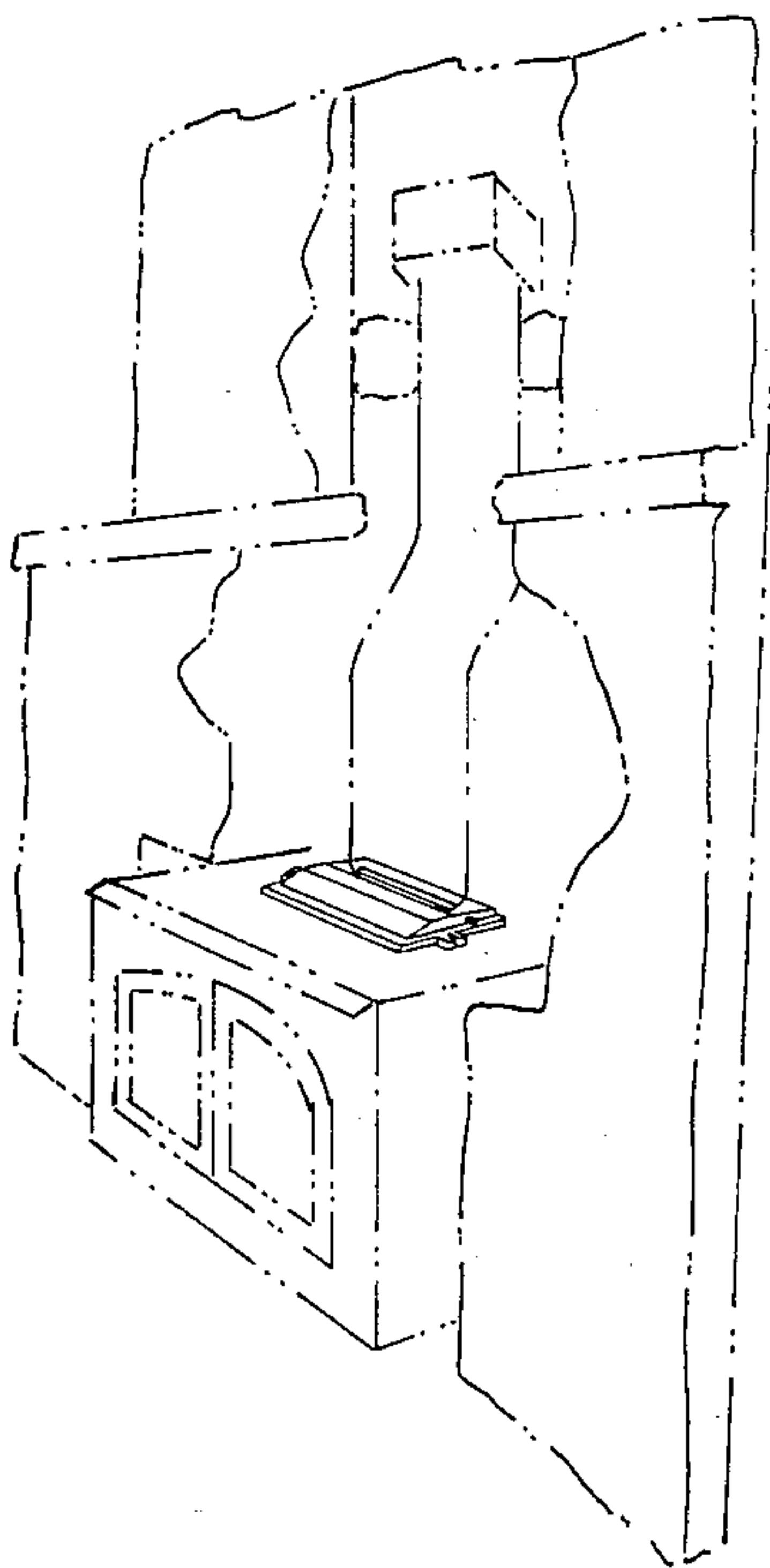


FIG. 2



FIG. 3

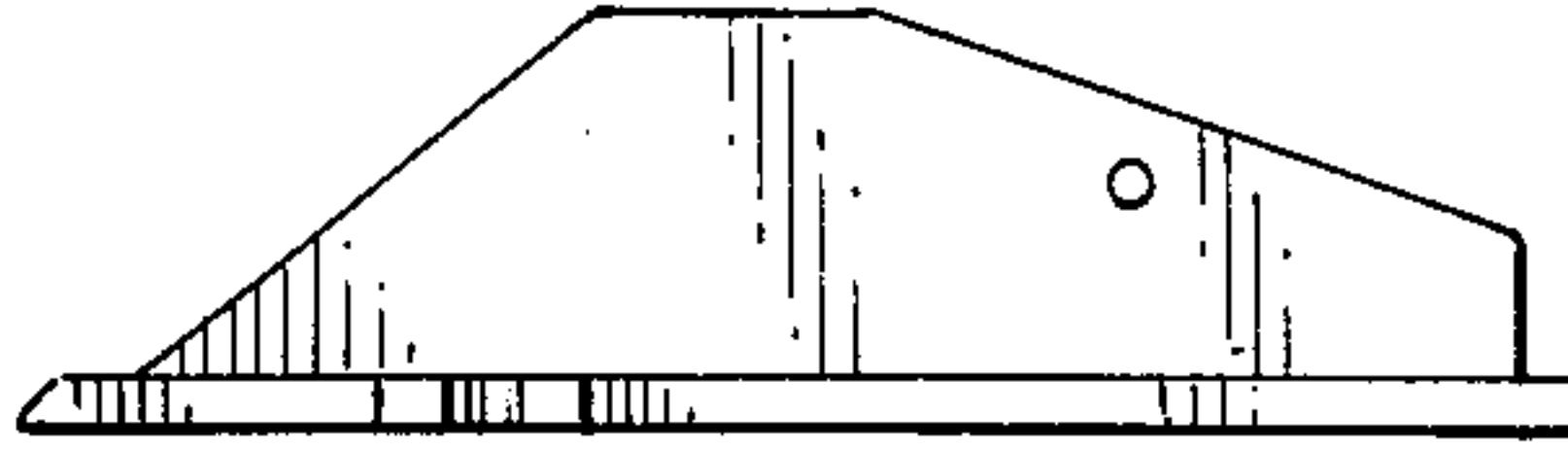


FIG. 4

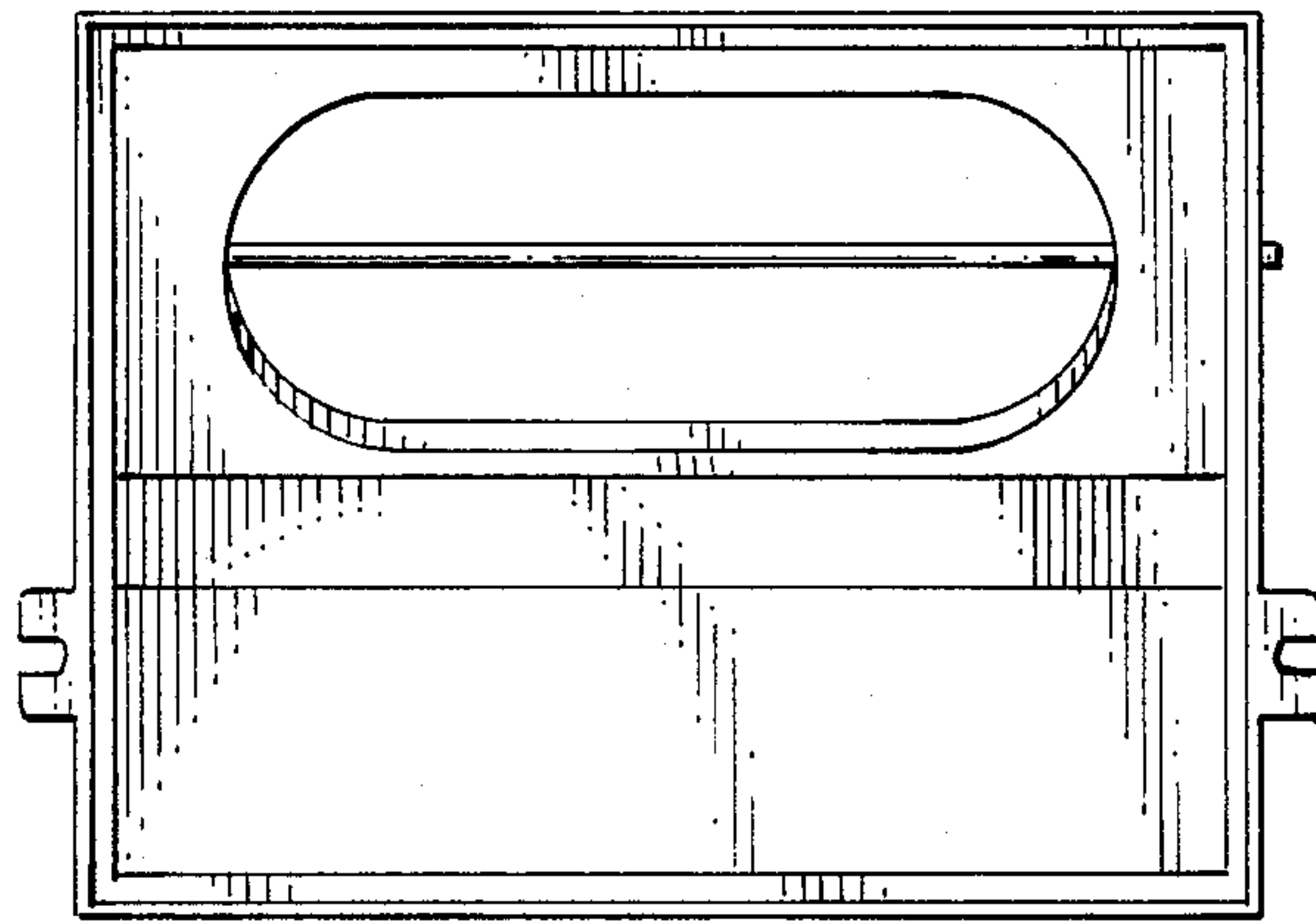


FIG. 5

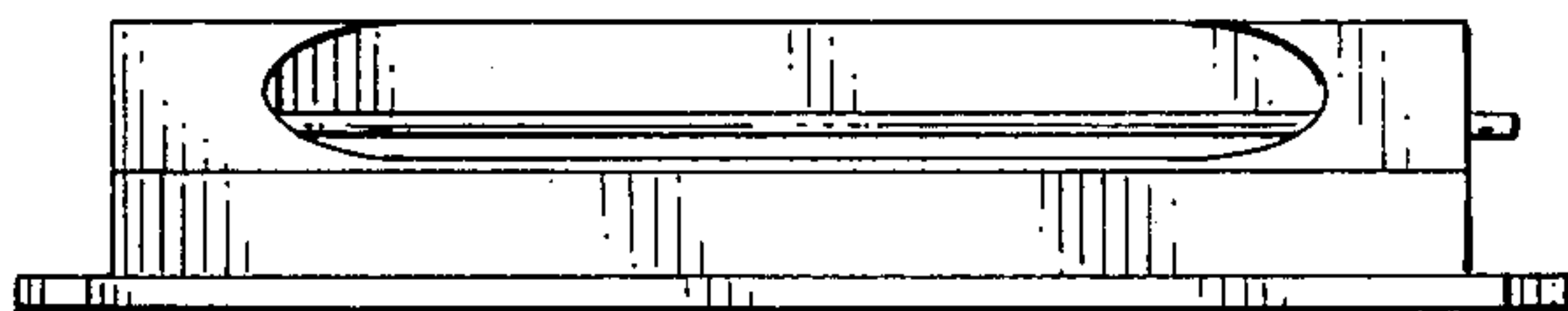


FIG. 6

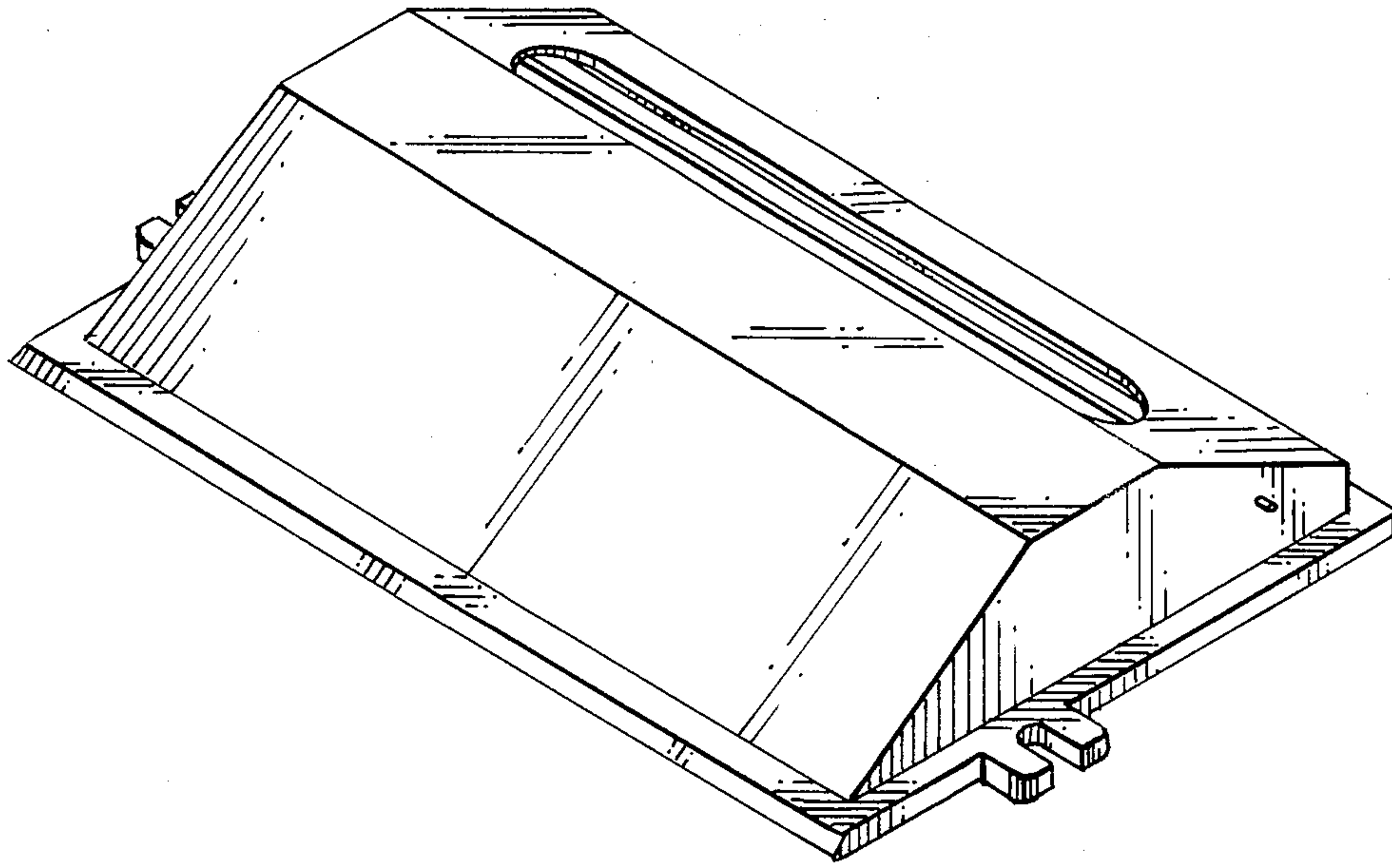


FIG. 7